



US00D460099S

(12) **United States Design Patent**
Lazarides

(10) **Patent No.:** **US D460,099 S**

(45) **Date of Patent:** **** Jul. 9, 2002**

(54) **EYEGLASSES**

(76) Inventor: **Jim Christopher Lazarides**, 4545
Melbourne Ave., Los Angeles, CA (US)
90027

(**) Term: **14 Years**

(21) Appl. No.: **29/120,580**

(22) Filed: **Mar. 21, 2000**

(51) **LOC (7) Cl.** **16-06**

(52) **U.S. Cl.** **D16/315**

(58) **Field of Search** D16/101, 300-330,
D16/334, 335; 351/41, 44, 51, 52, 103,
104, 110, 111, 158

(56) **References Cited**

U.S. PATENT DOCUMENTS

D47,916 S	*	10/1915	Fenno	D16/317
D367,667 S	*	3/1996	Simioni	D16/315
D370,021 S	*	5/1996	Simioni	D16/315
D376,162 S	*	12/1996	Yee et al.	D16/314
5,602,603 A	*	2/1997	Bondet	351/44
D387,792 S	*	12/1997	Bondet	D16/315

* cited by examiner

Primary Examiner—Raphael Barkai

(74) *Attorney, Agent, or Firm*—Ladas & Parry

(57) **CLAIM**

The ornamental design for “eyeglasses”, as shown and described.

DESCRIPTION

FIG. 1 is a perspective view of a first embodiment showing my new design;

FIG. 2 is a front view of the first embodiment showing my new design;

FIG. 3 is a rear view of the first embodiment showing my new design;

FIG. 4 is a left side view of the first embodiment showing my new design;

FIG. 5 is a right side view of the first embodiment showing my new design;

FIG. 6 is a top plan view of the first embodiment showing my new design;

FIG. 7 is a bottom plan view of the first embodiment showing my new design;

FIG. 8 is a perspective view of a second embodiment showing my new design, in which a portion of the temples is transparent;

FIG. 9 is a front view of the second embodiment showing my new design;

FIG. 10 is a rear view of the second embodiment showing my new design;

FIG. 11 is a left side view of the second embodiment showing my new design;

FIG. 12 is a right side view of the second embodiment showing my new design;

FIG. 13 is a top plan view of the second embodiment showing my new design;

FIG. 14 is a bottom plan view of the second embodiment showing my new design;

FIG. 15 is a perspective view of a third embodiment showing my new design, in which the lenses are colored;

FIG. 16 is a front view of the third embodiment showing my new design;

FIG. 17 is a rear view of the third embodiment showing my new design;

FIG. 18 is a left side view of the third embodiment showing my new design;

FIG. 19 is a right side view of the third embodiment showing my new design;

FIG. 20 is a top plan view of the third embodiment showing my new design;

FIG. 21 is a bottom plan view of the third embodiment showing my new design;

FIG. 22 is a perspective view of a fourth embodiment showing my new design, in which the lenses are colored and a portion of the temples is transparent;

FIG. 23 is a front view of the fourth embodiment showing my new design;

FIG. 24 is a rear view of the fourth embodiment showing my new design;

FIG. 25 is a left side view of the fourth embodiment showing my new design;

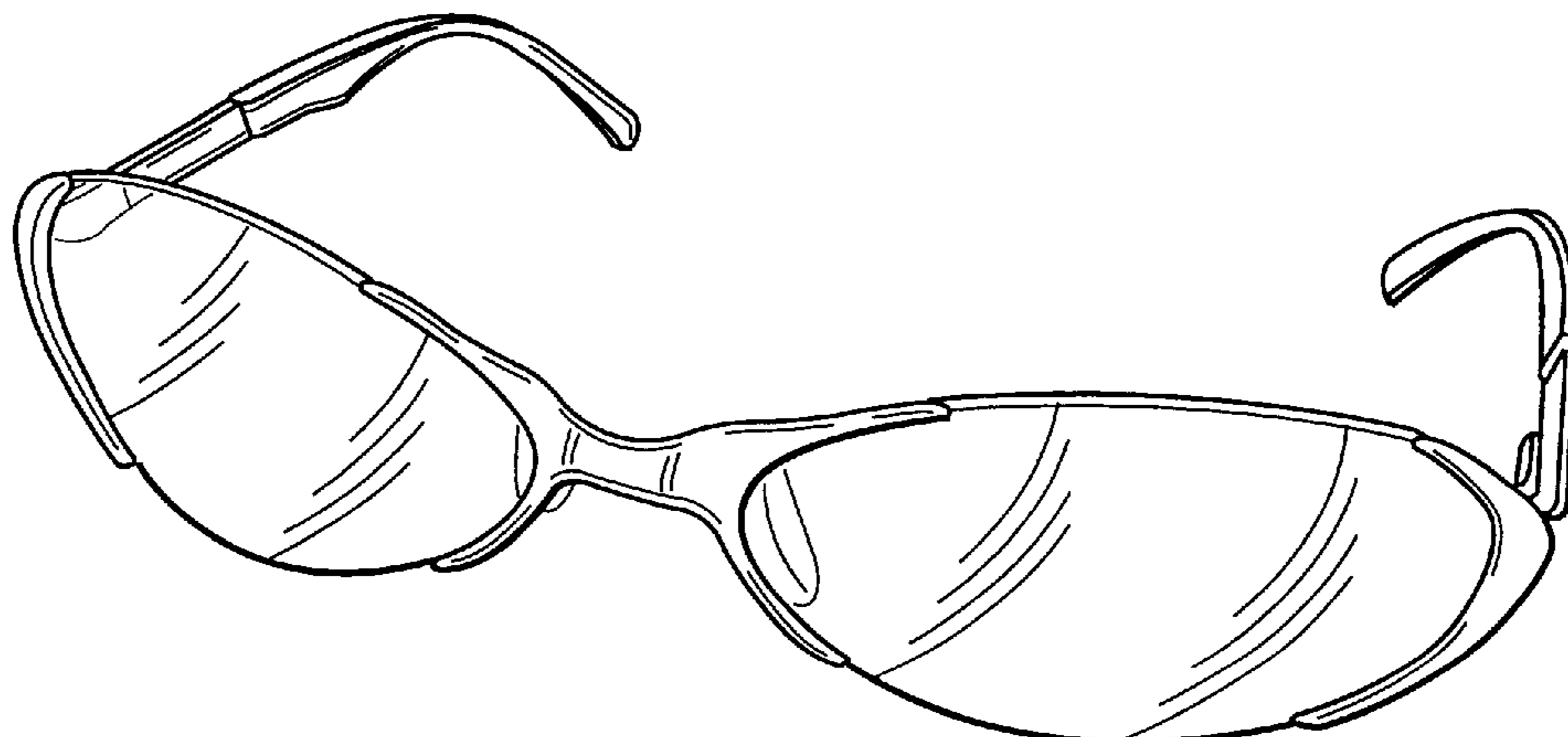


FIG. 26 is a right side view of the fourth embodiment showing my new design;

FIG. 27 is a top plan view of the fourth embodiment showing my new design;

FIG. 28 is a bottom plan view of the fourth embodiment showing my new design;

FIG. 29 is a perspective view of a fifth embodiment showing my new design, in which the lenses are colored and a portion of the temples is transparent and colored;

FIG. 30 is a front view of the fifth embodiment showing my new design;

FIG. 31 is a rear view of the fifth embodiment showing my new design;

FIG. 32 is a left side view of the fifth embodiment showing my new design;

FIG. 33 is a right side view of the fifth embodiment showing my new design;

FIG. 34 is a top plan view of the fifth embodiment showing my new design; and,

FIG. 35 is a bottom plan view of the fifth embodiment showing my new design.

1 Claim, 20 Drawing Sheets

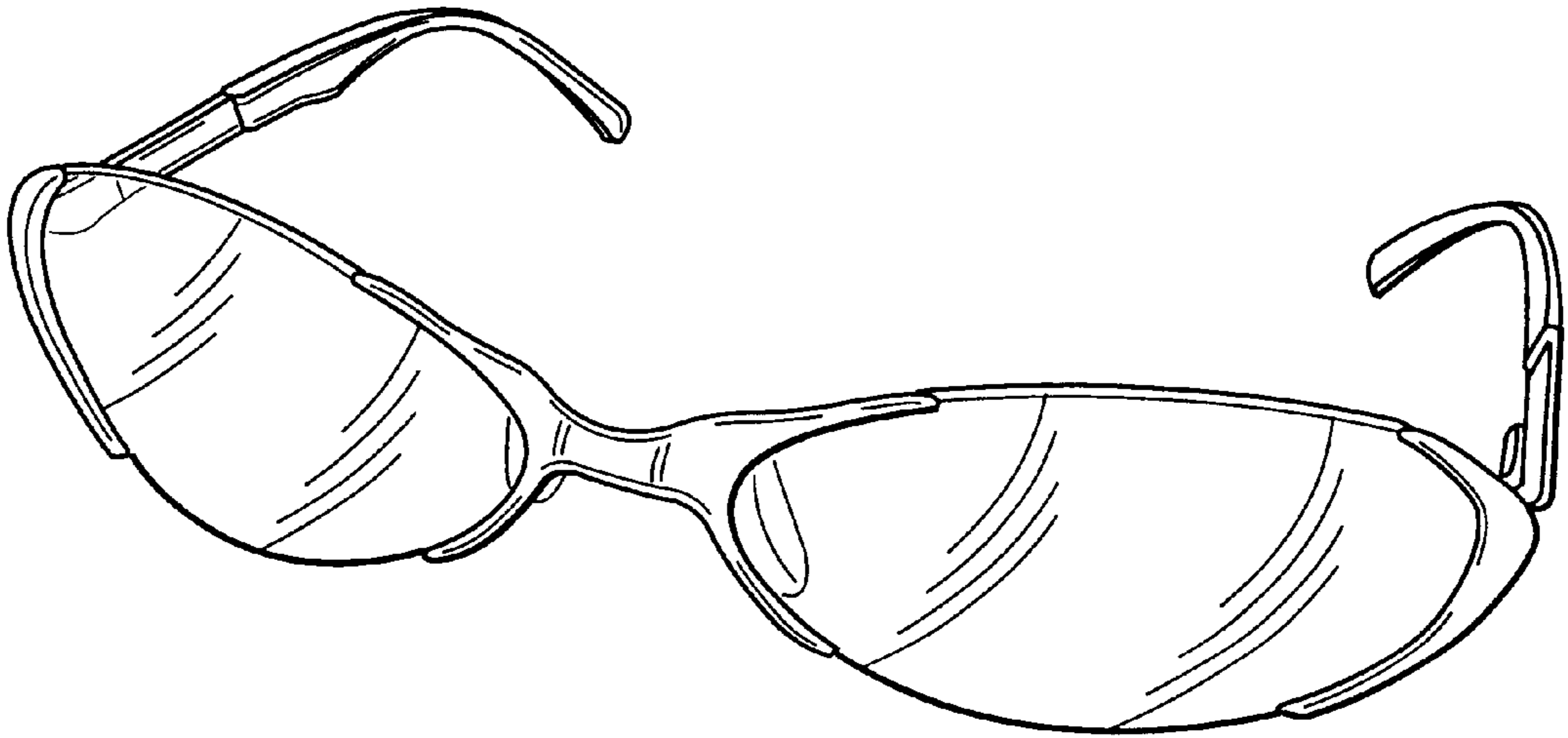


FIG. 1

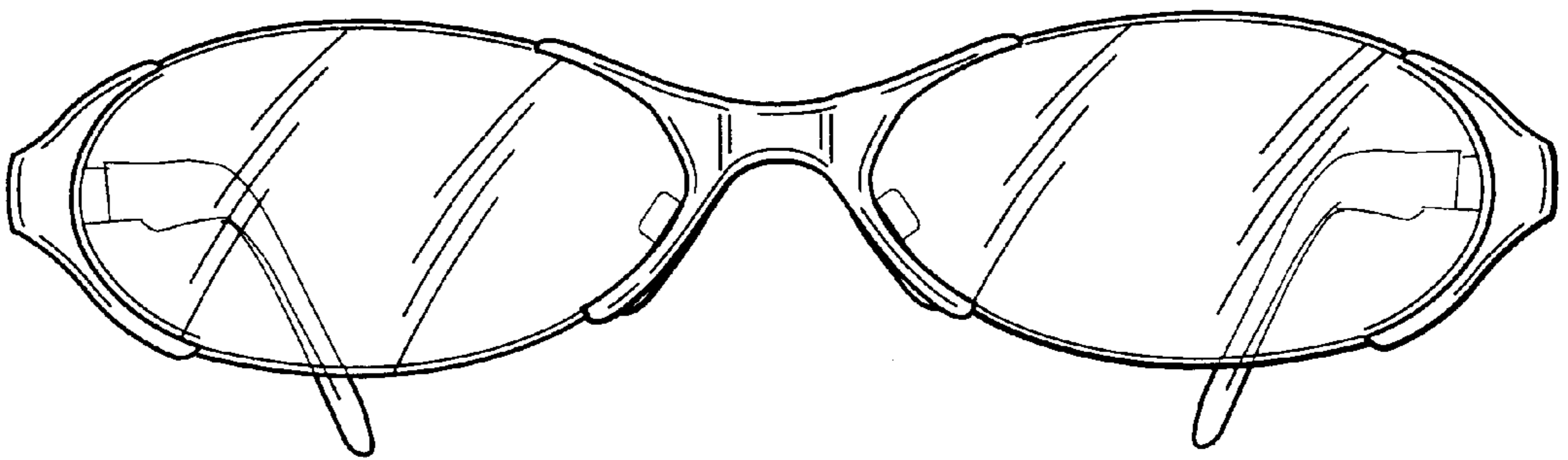


FIG. 2

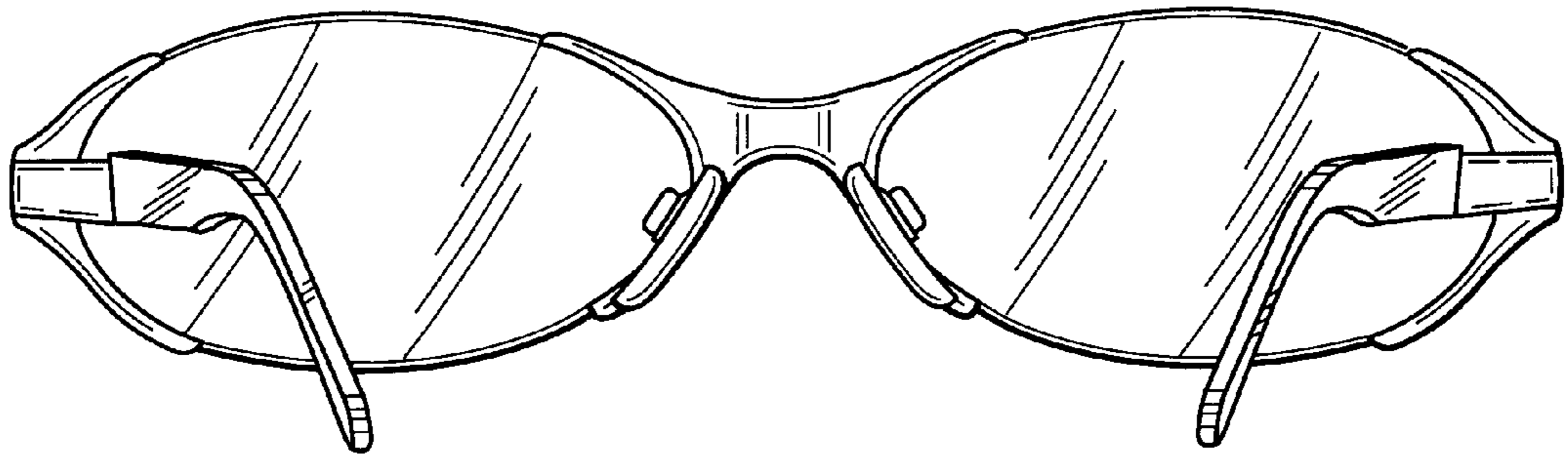


FIG. 3

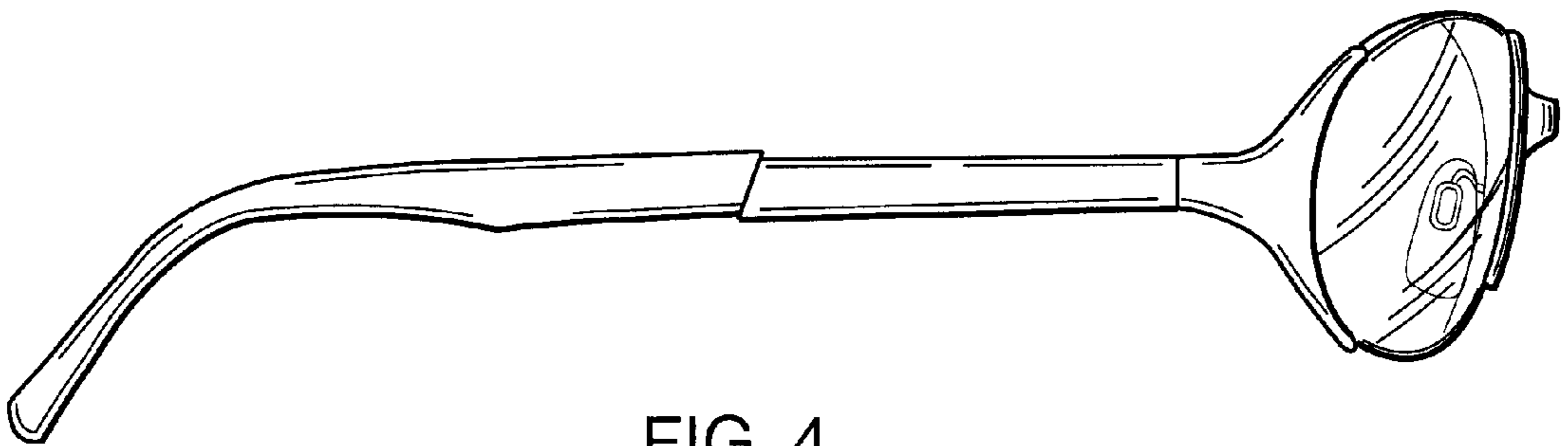


FIG. 4

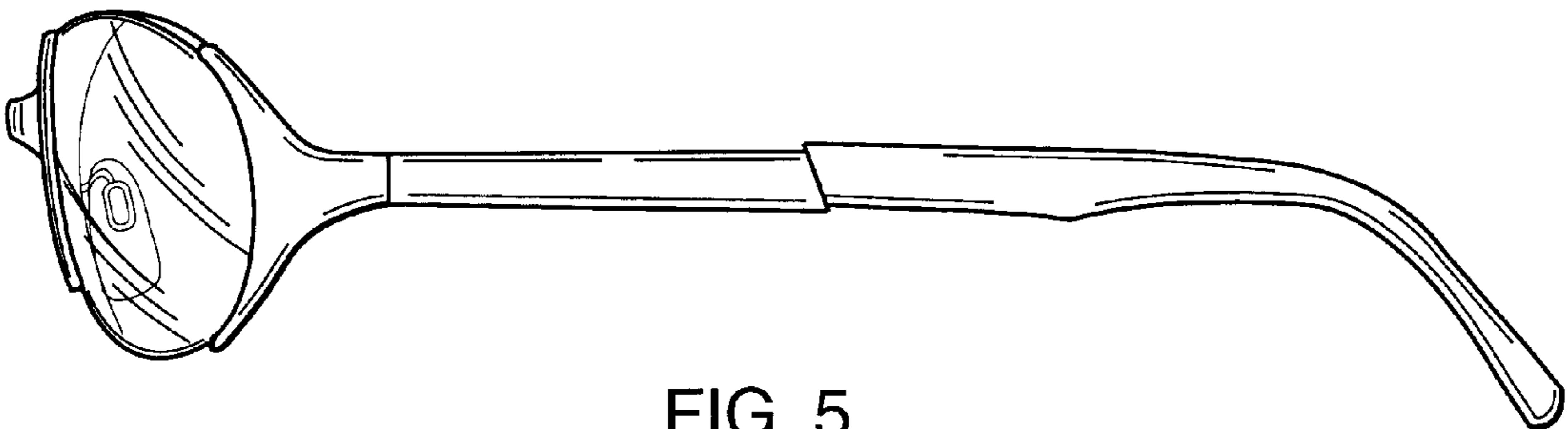


FIG. 5

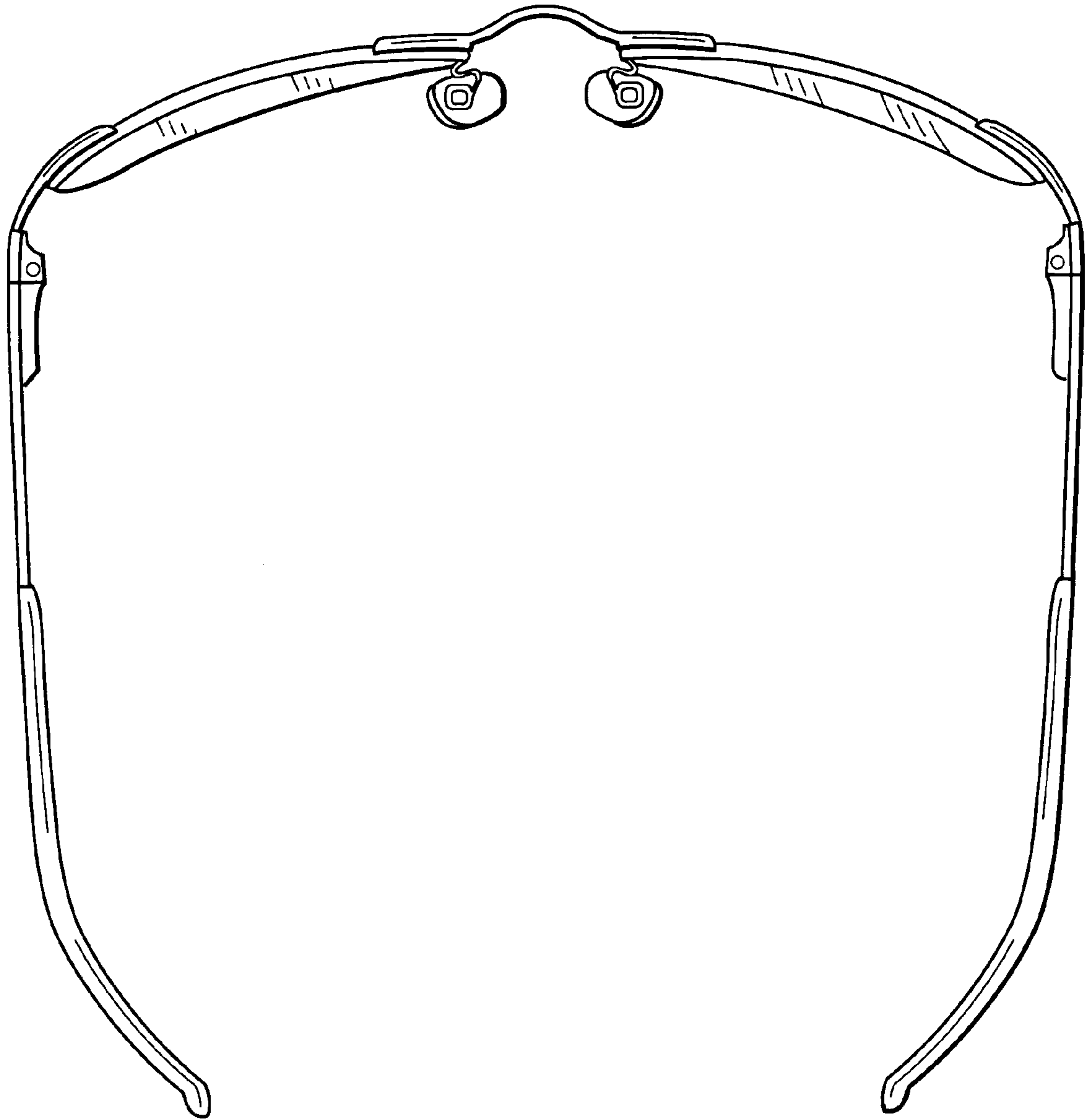


FIG. 6

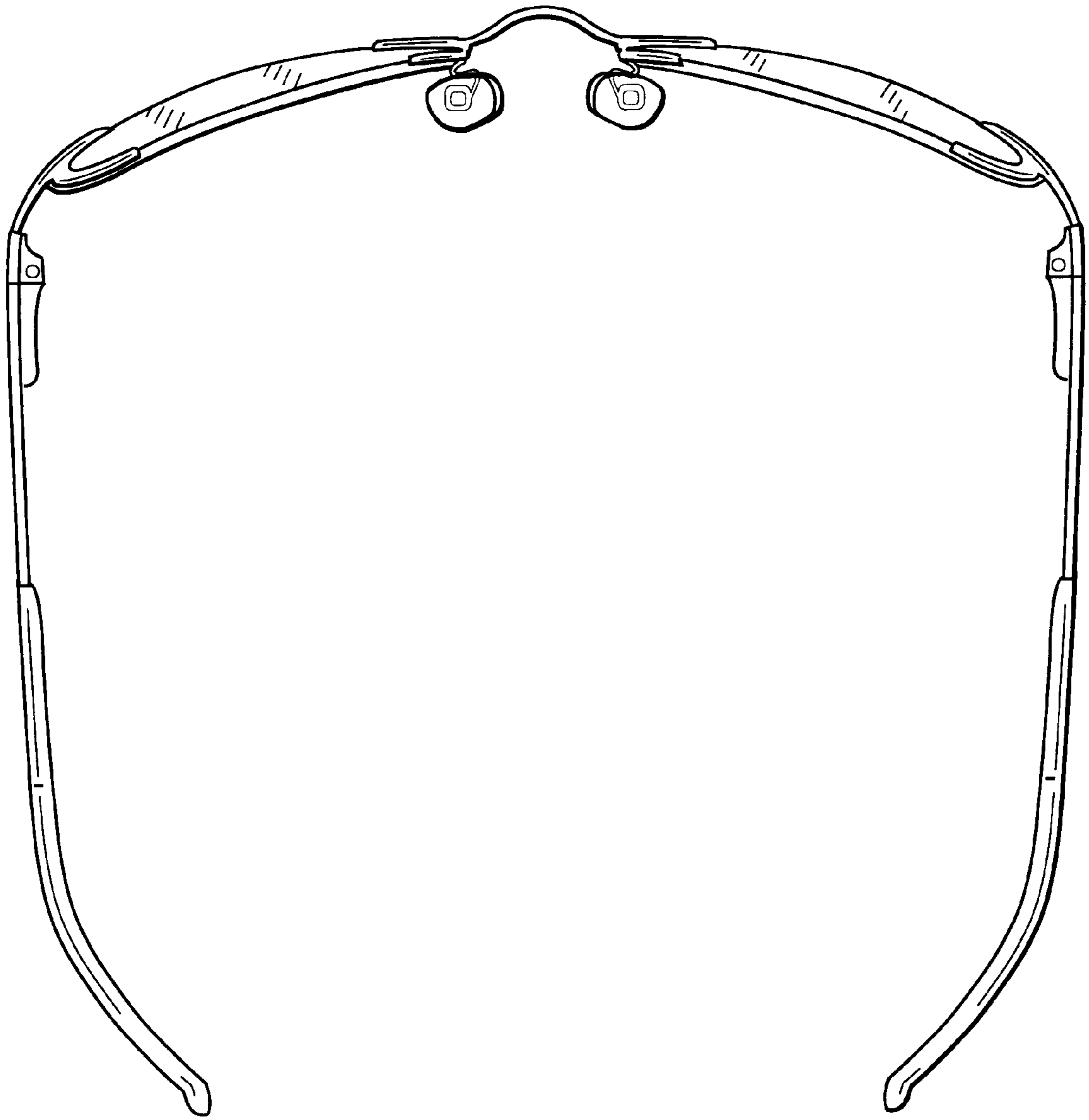


FIG. 7

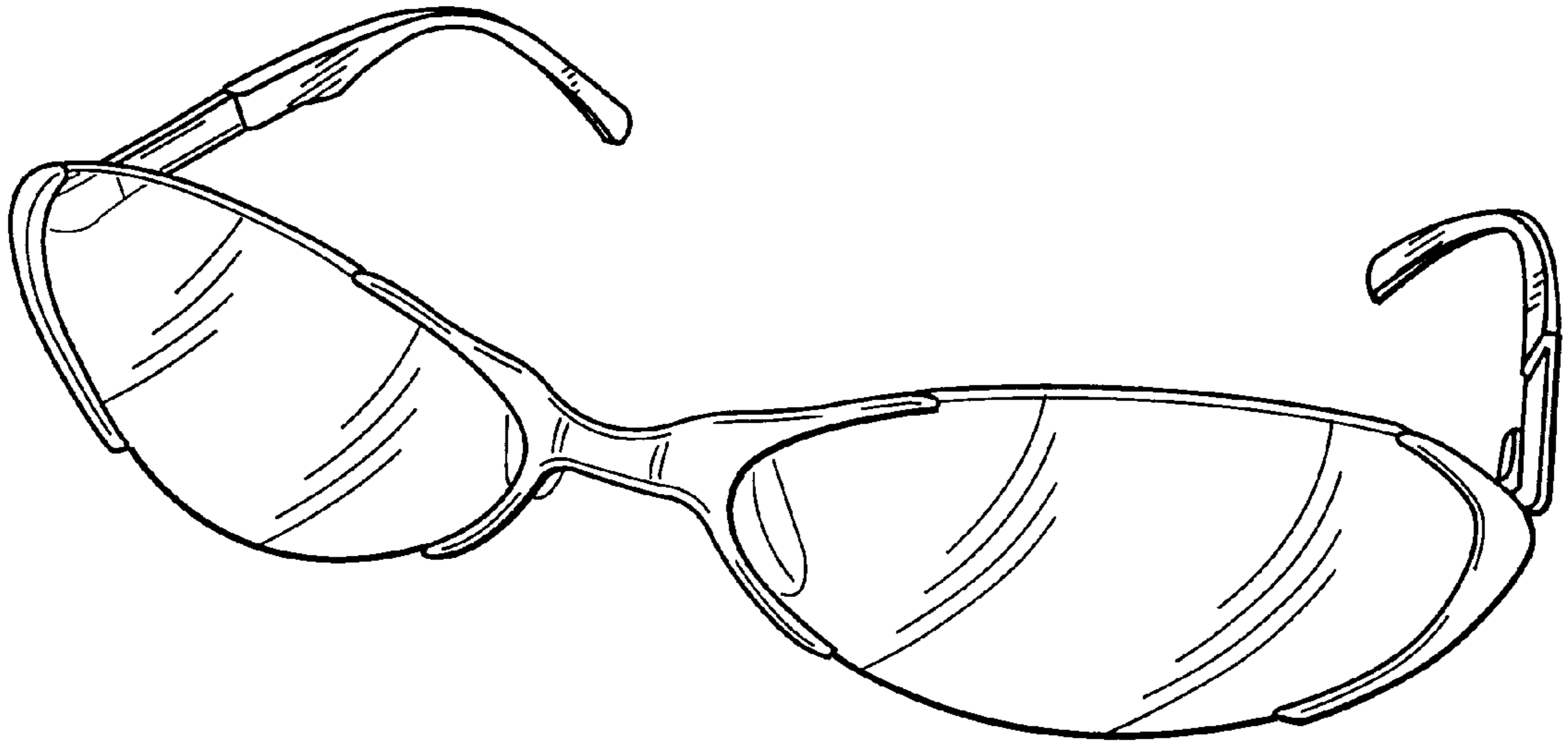


FIG. 8

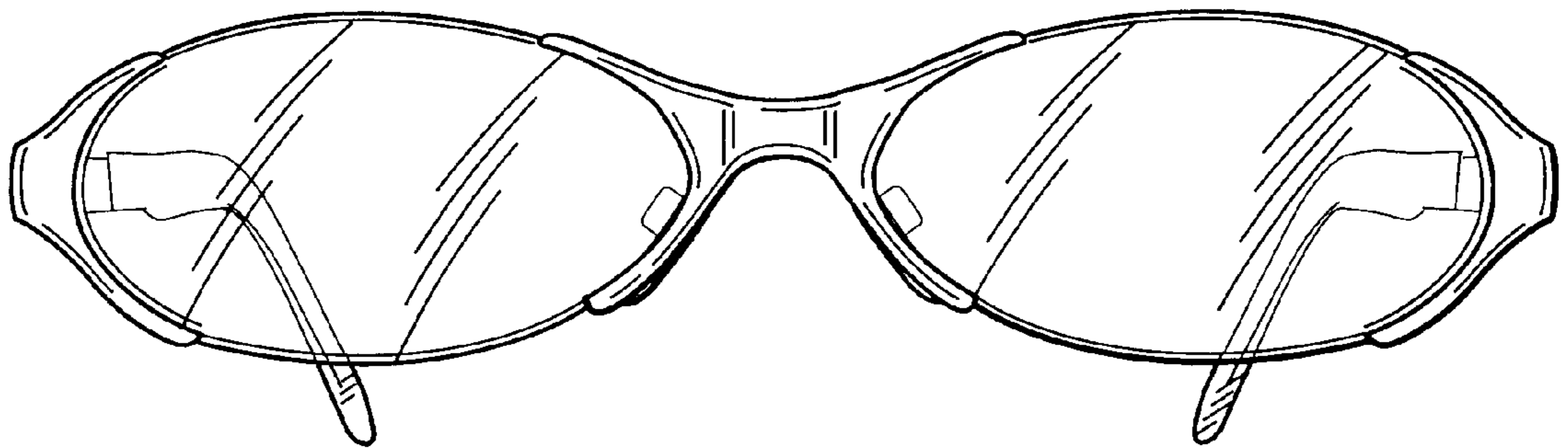


FIG. 9

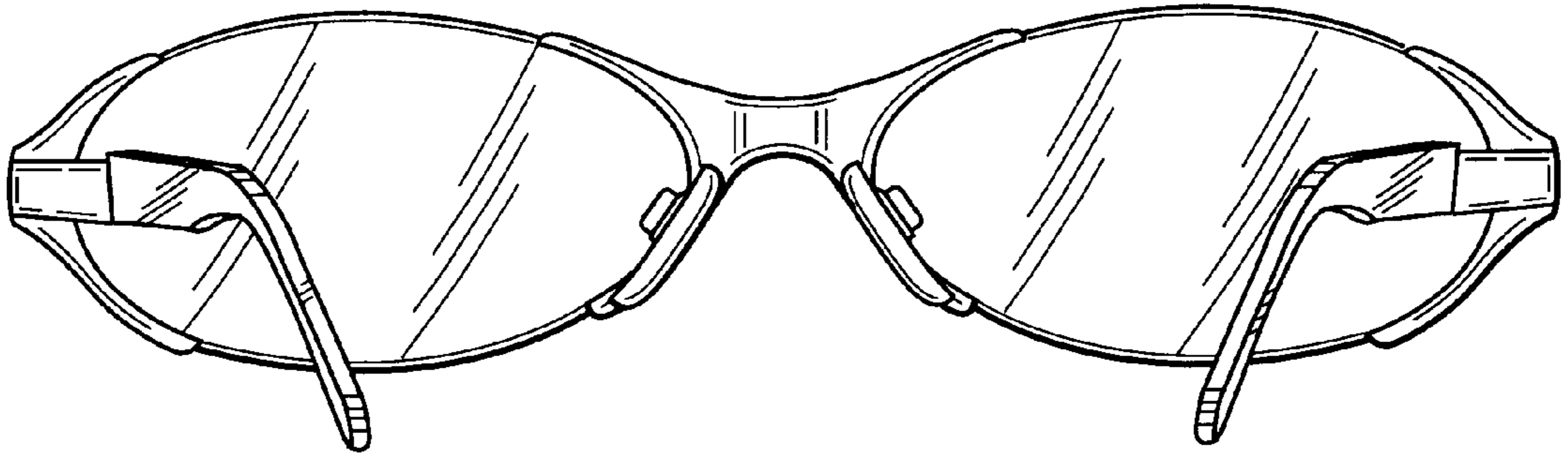


FIG. 10

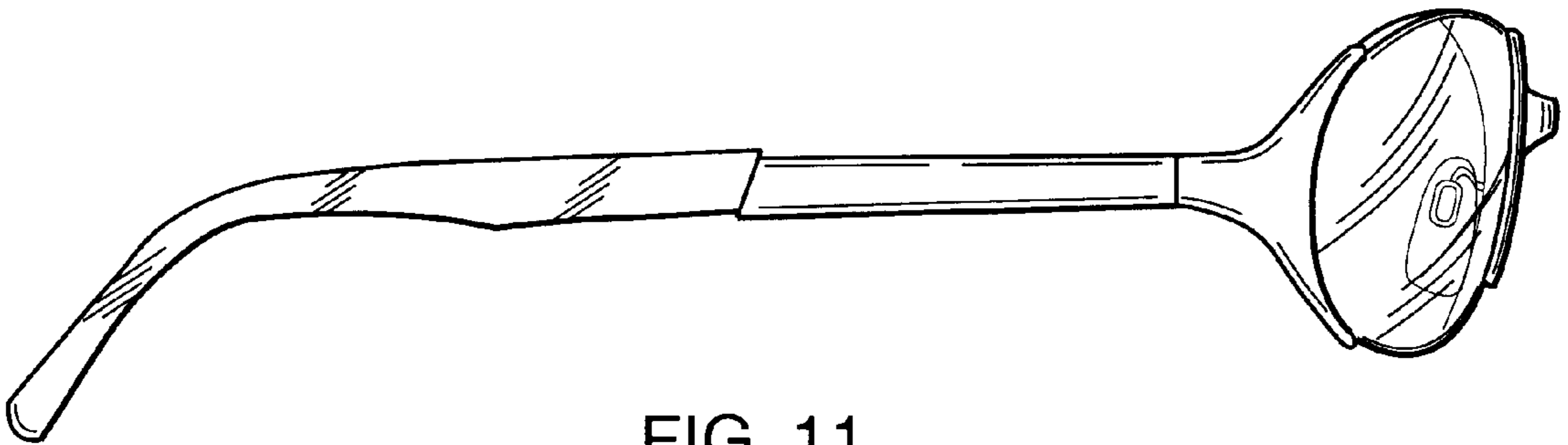


FIG. 11

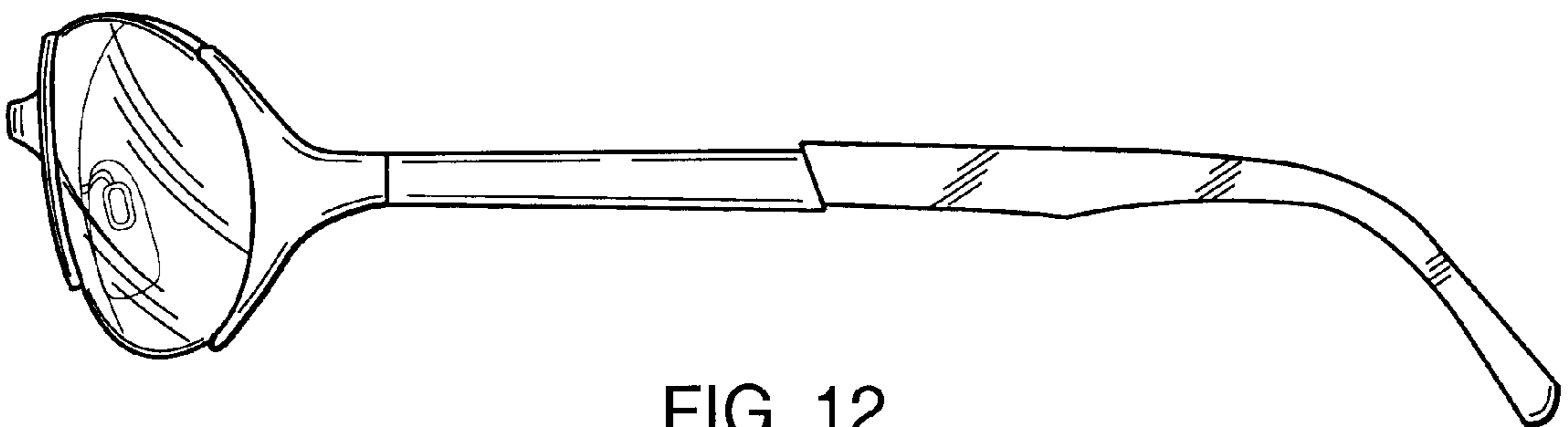


FIG. 12

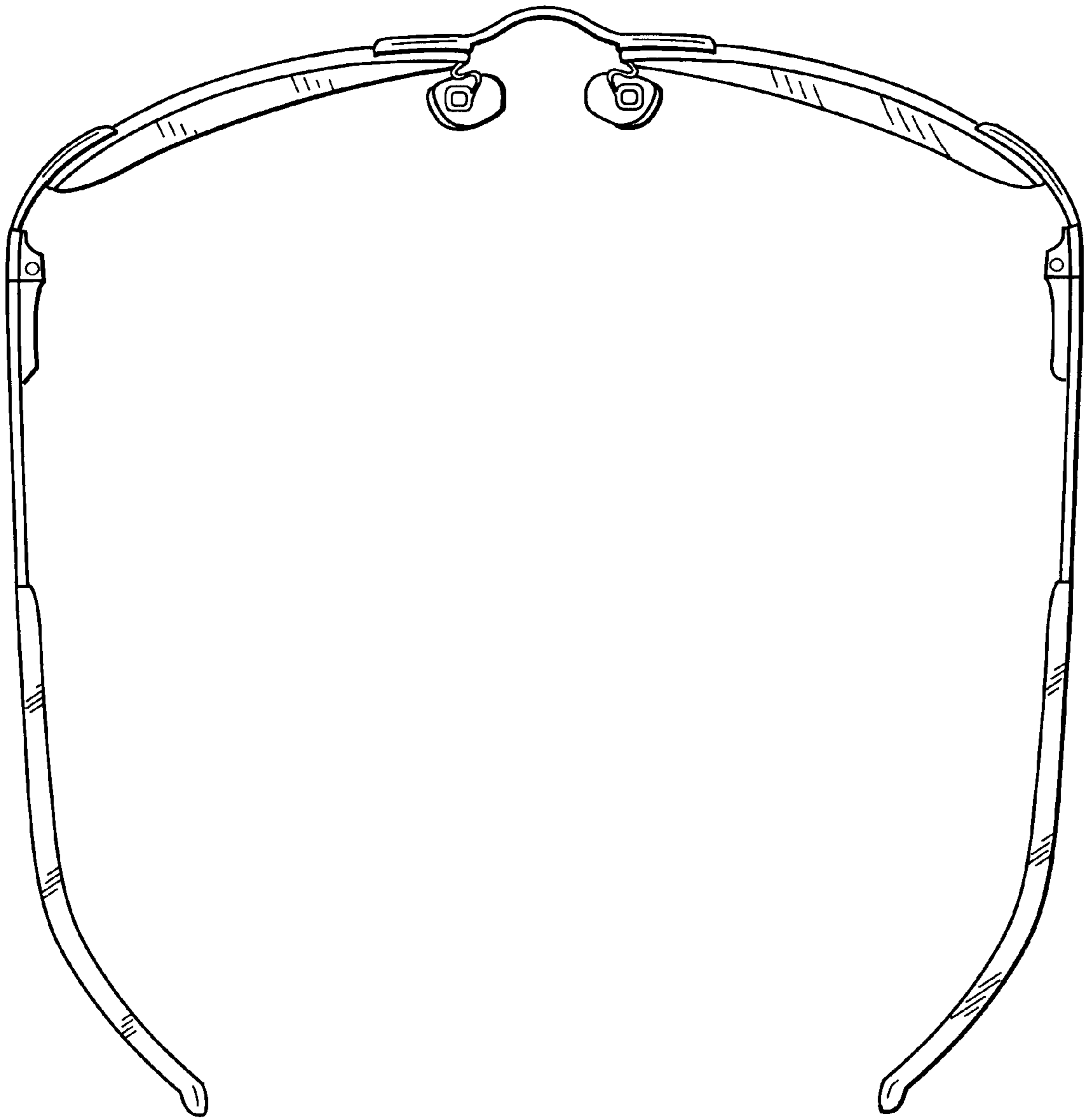


FIG. 13

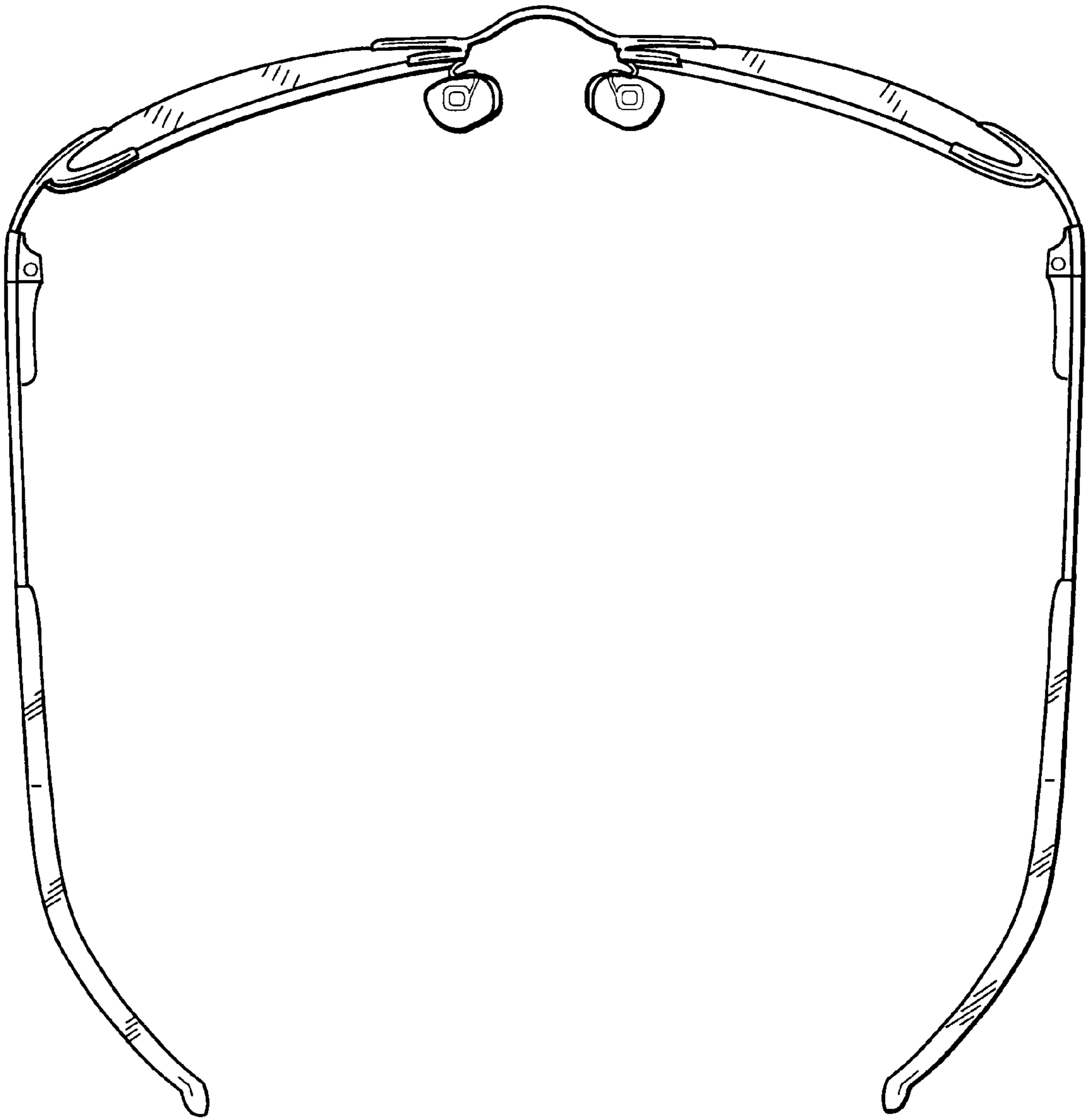


FIG. 14

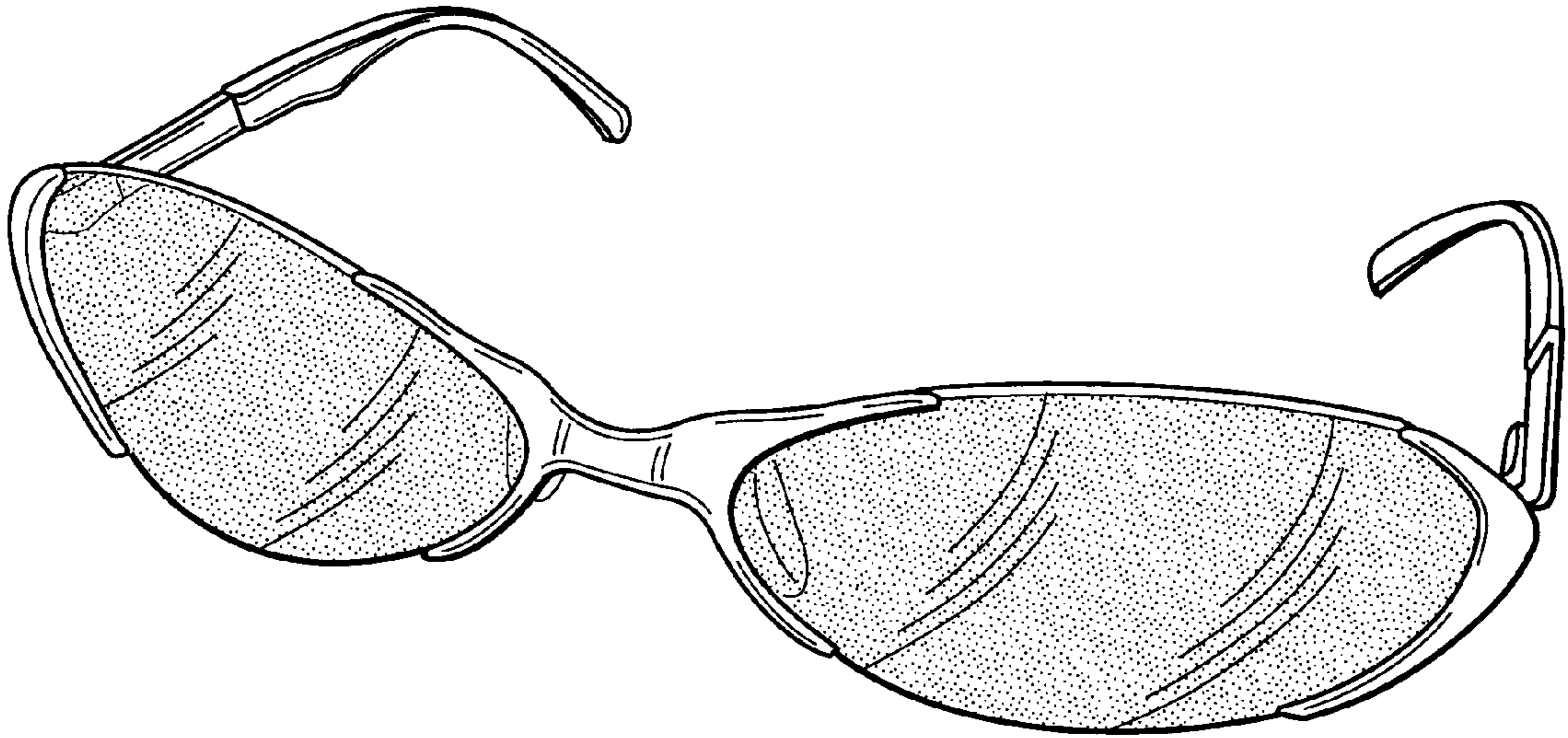


FIG. 15

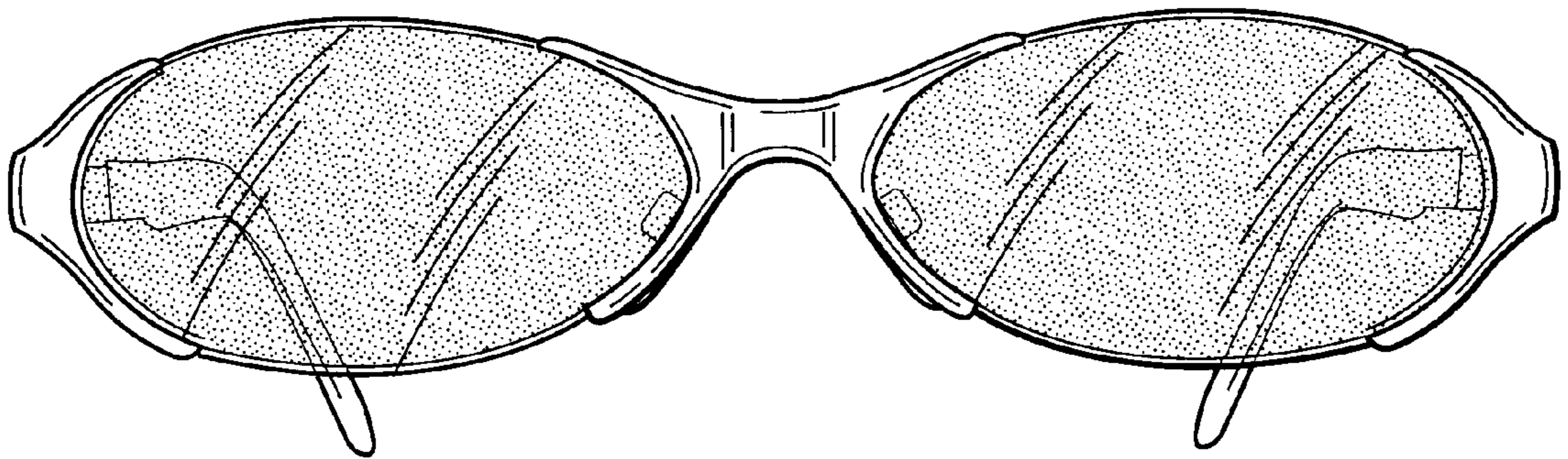


FIG. 16

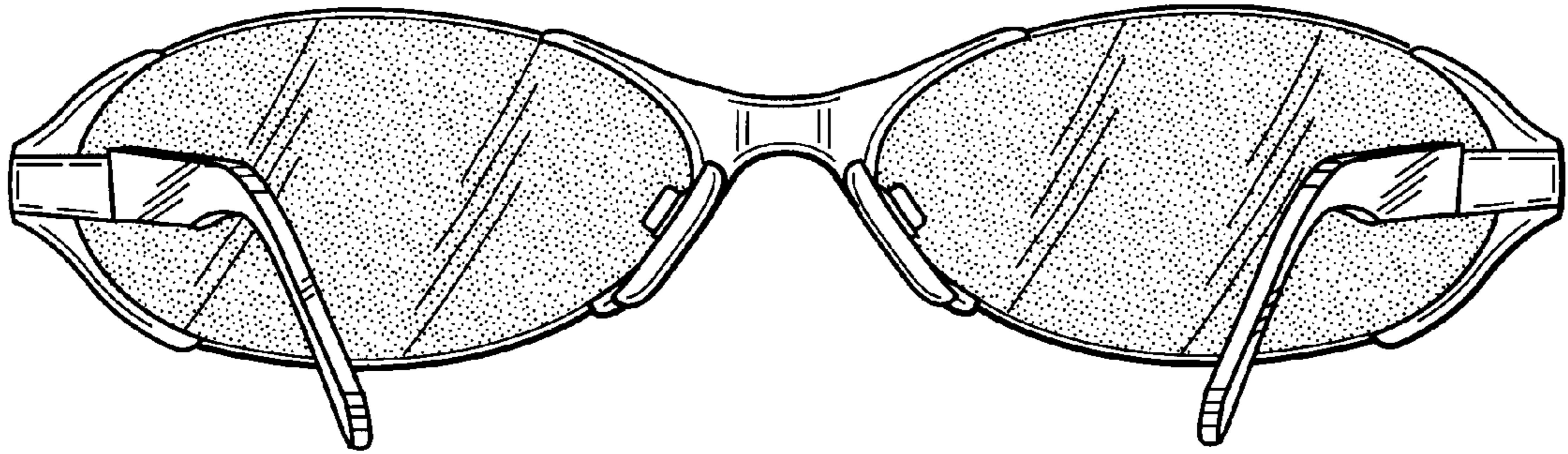


FIG. 17

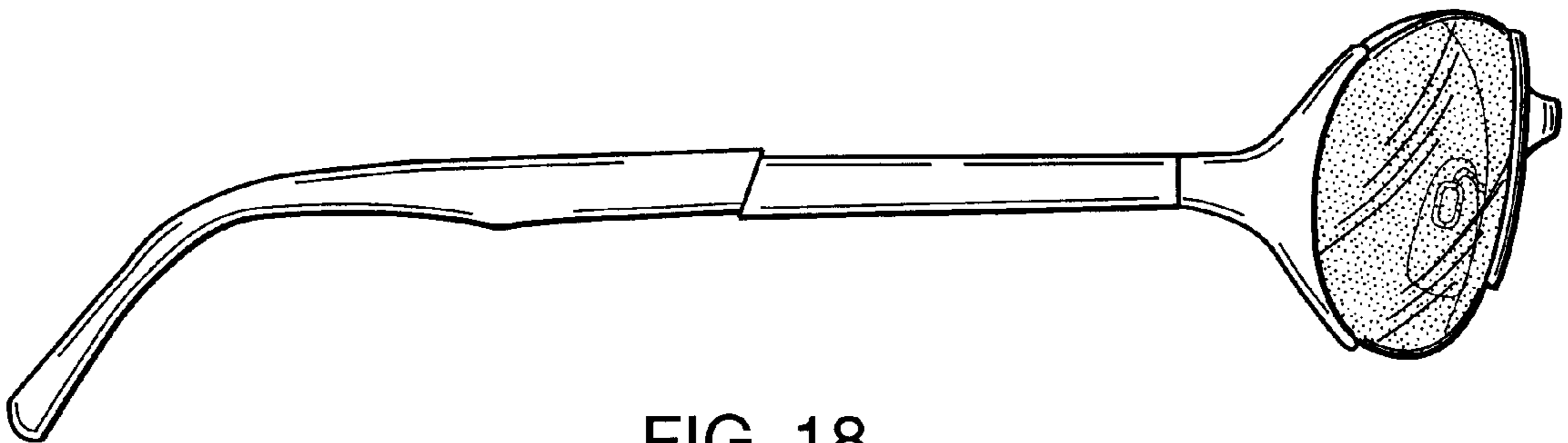


FIG. 18

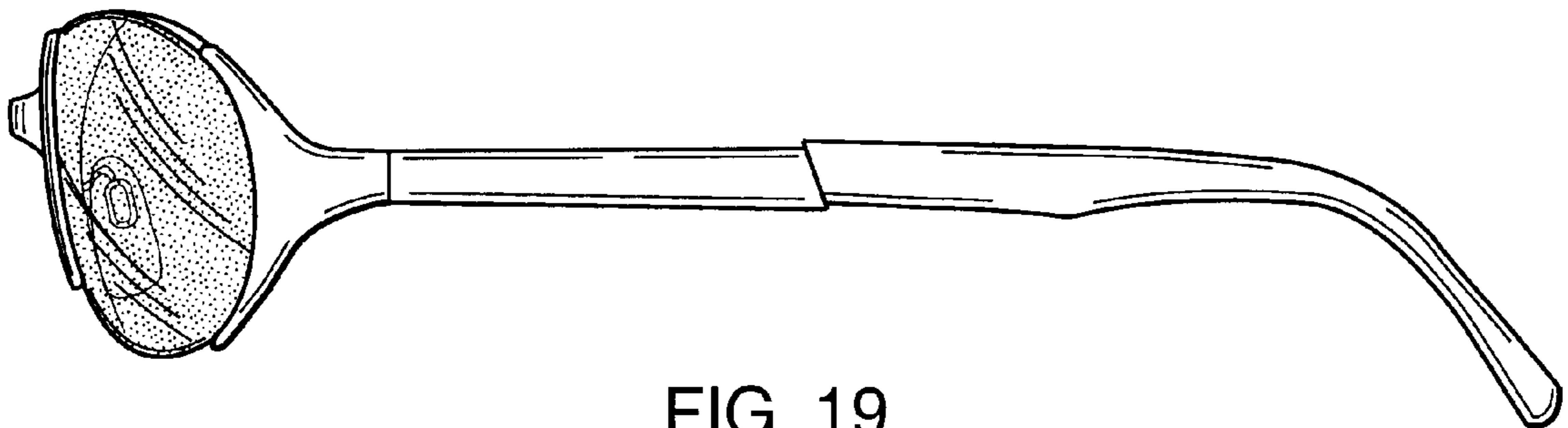


FIG. 19

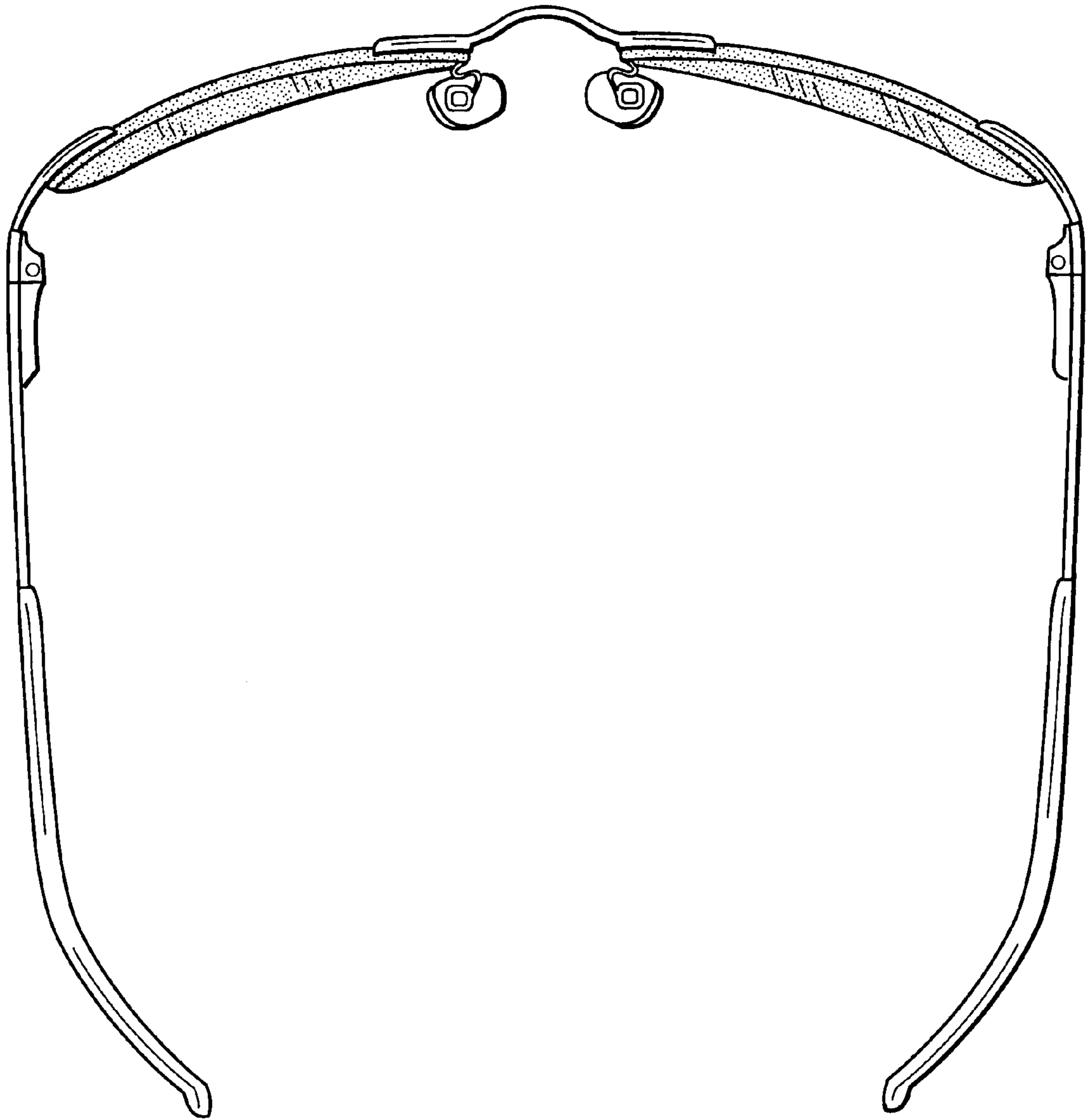


FIG. 20

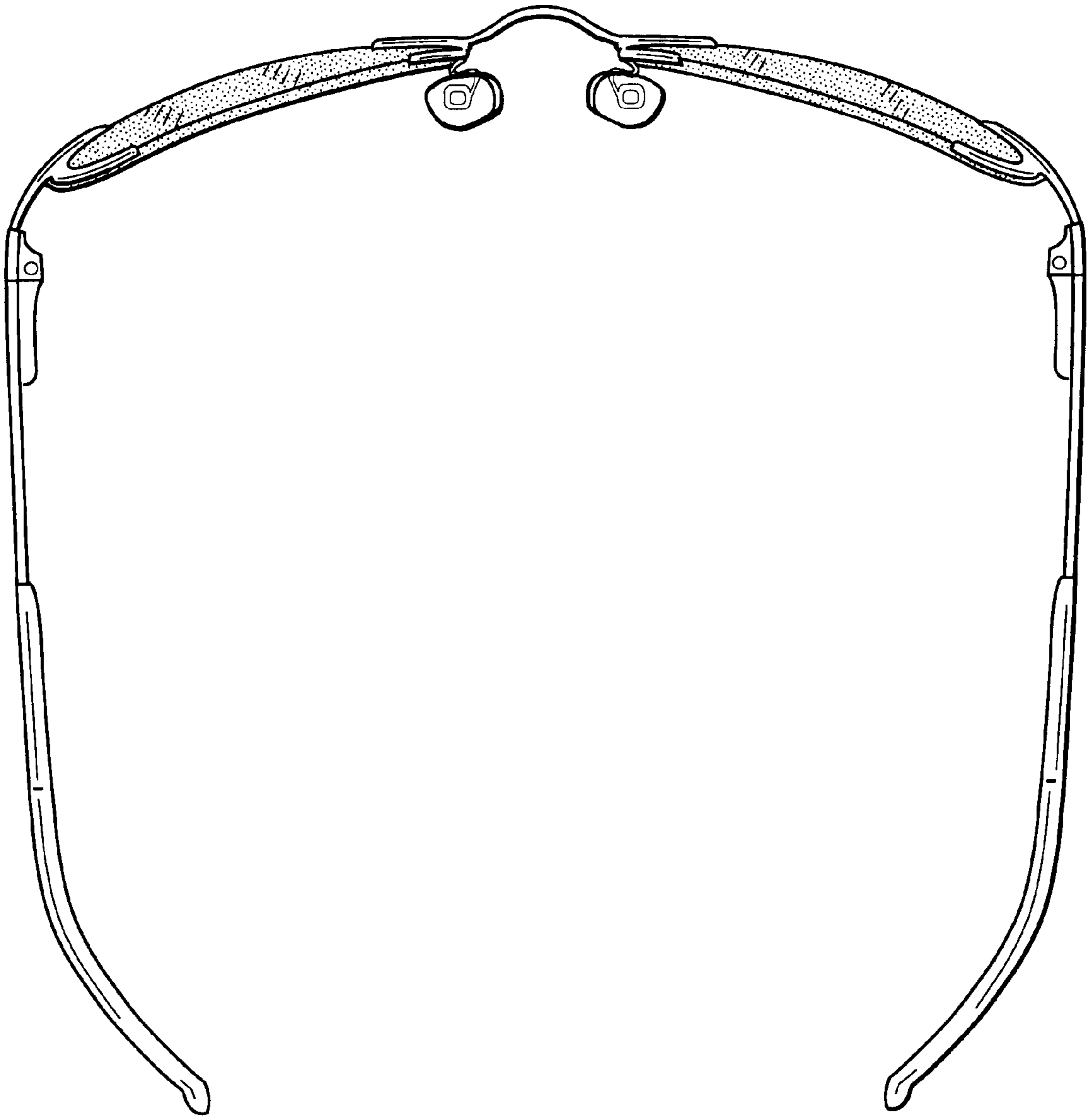


FIG. 21

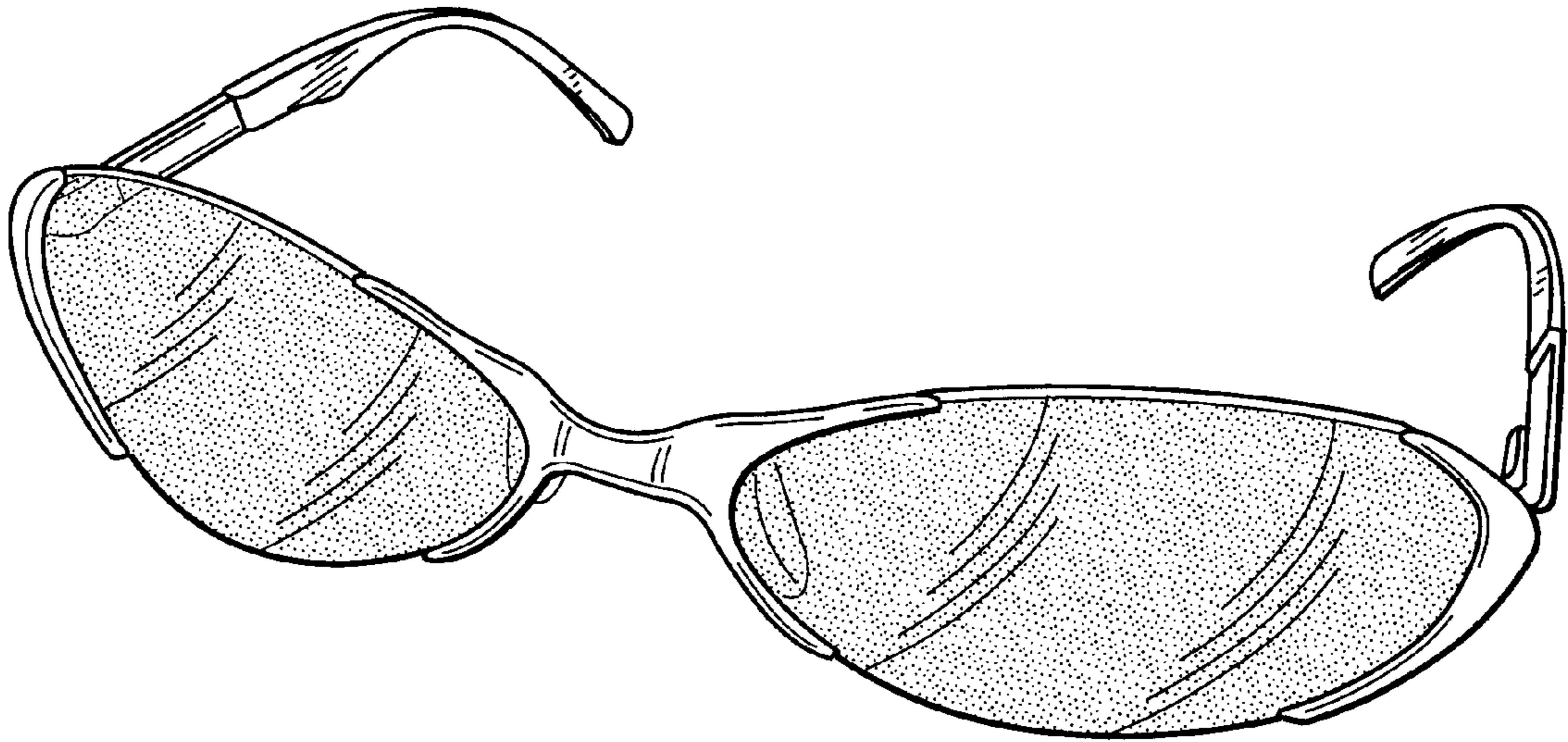


FIG. 22

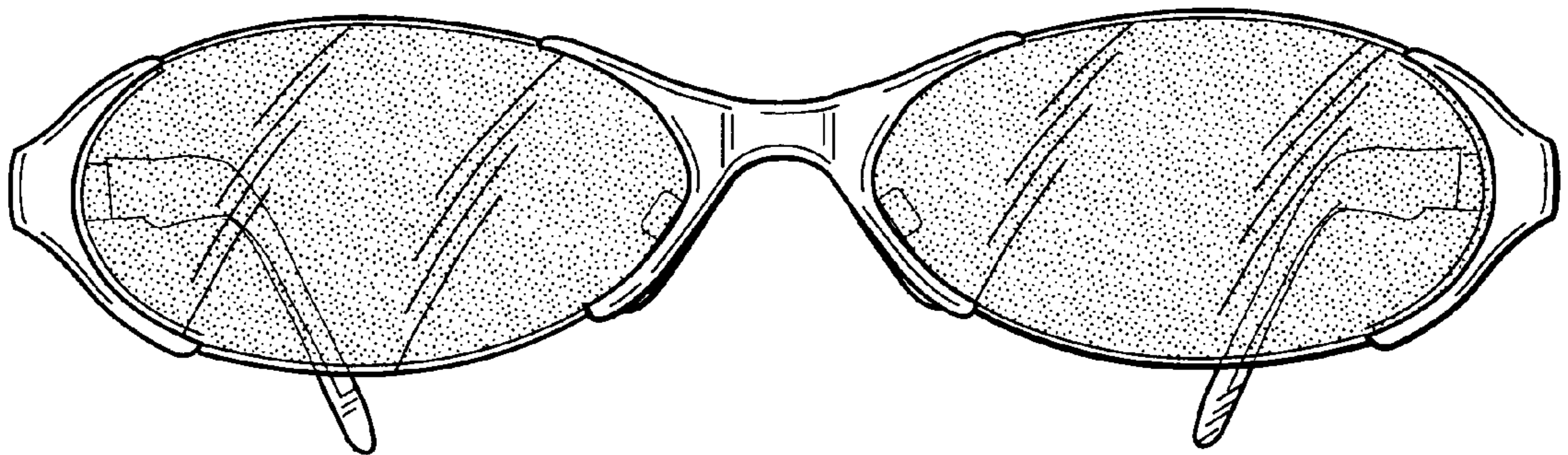


FIG. 23

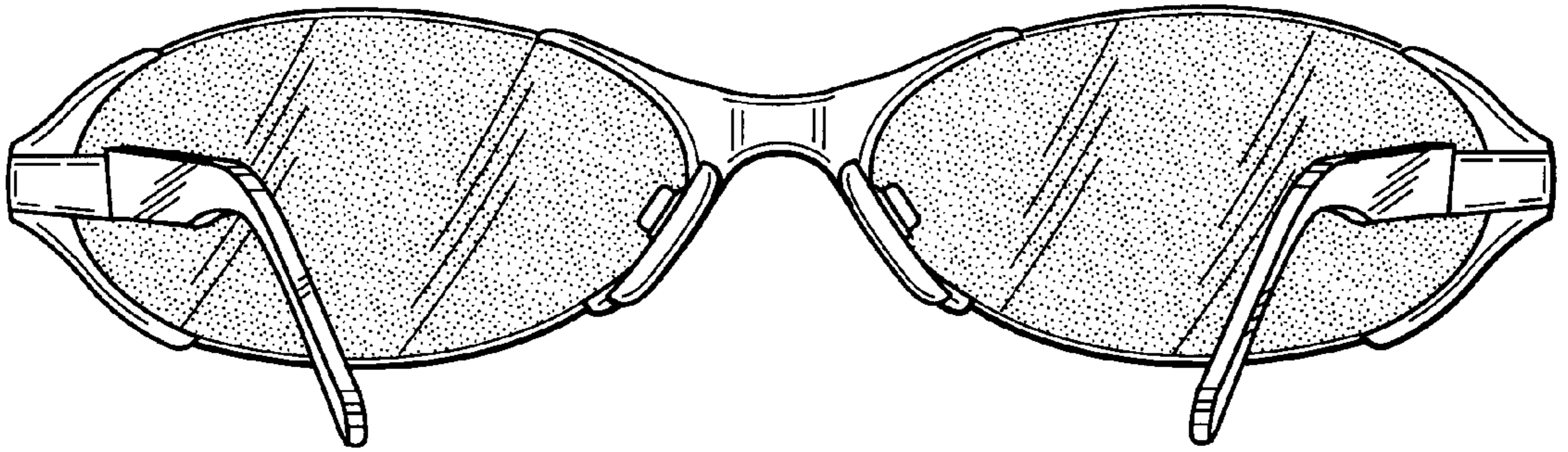


FIG. 24

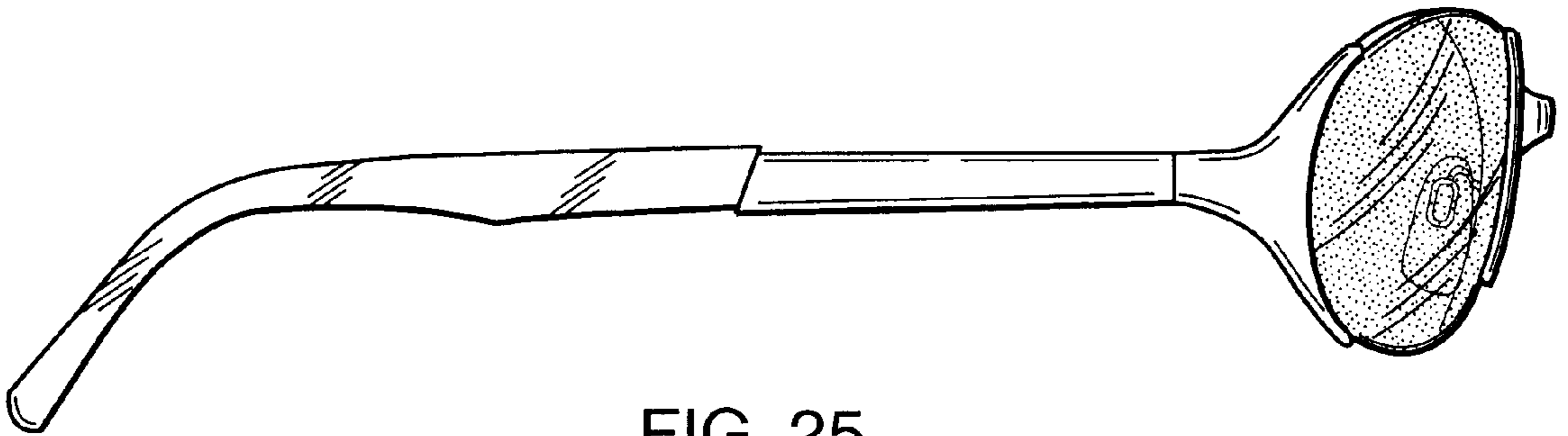


FIG. 25

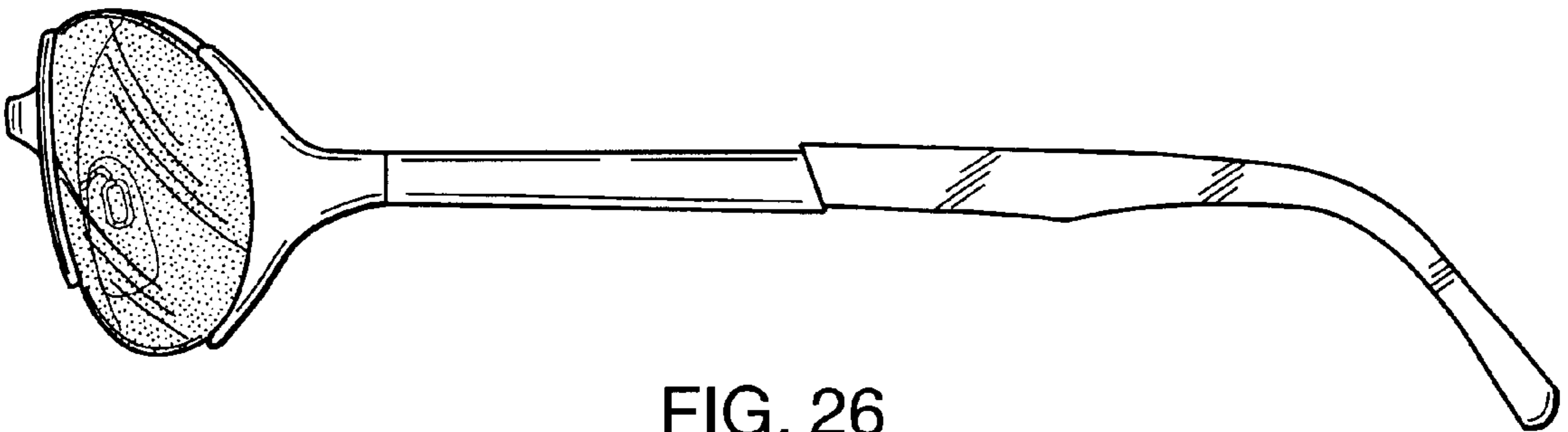


FIG. 26

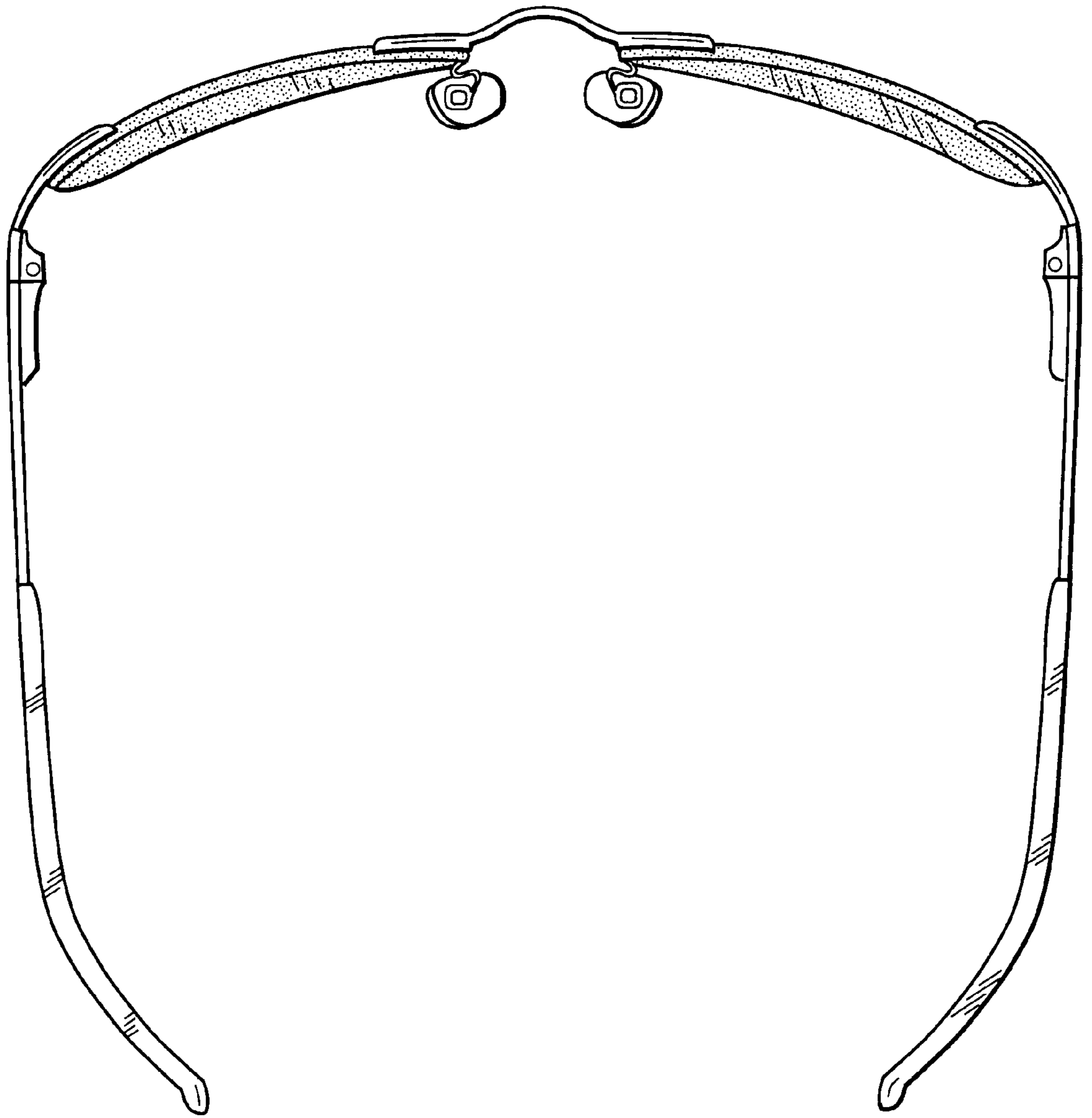


FIG. 27

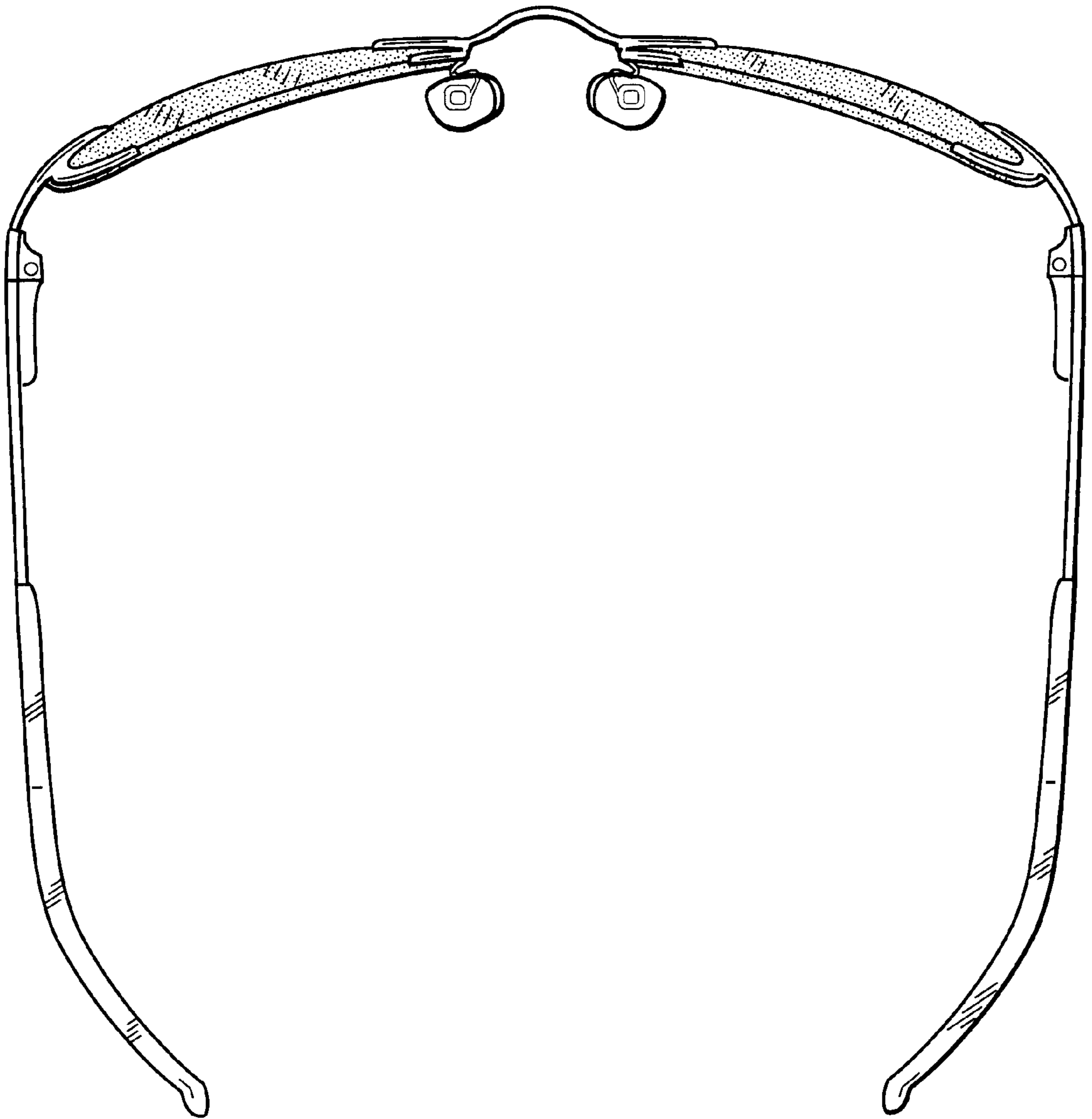


FIG. 28

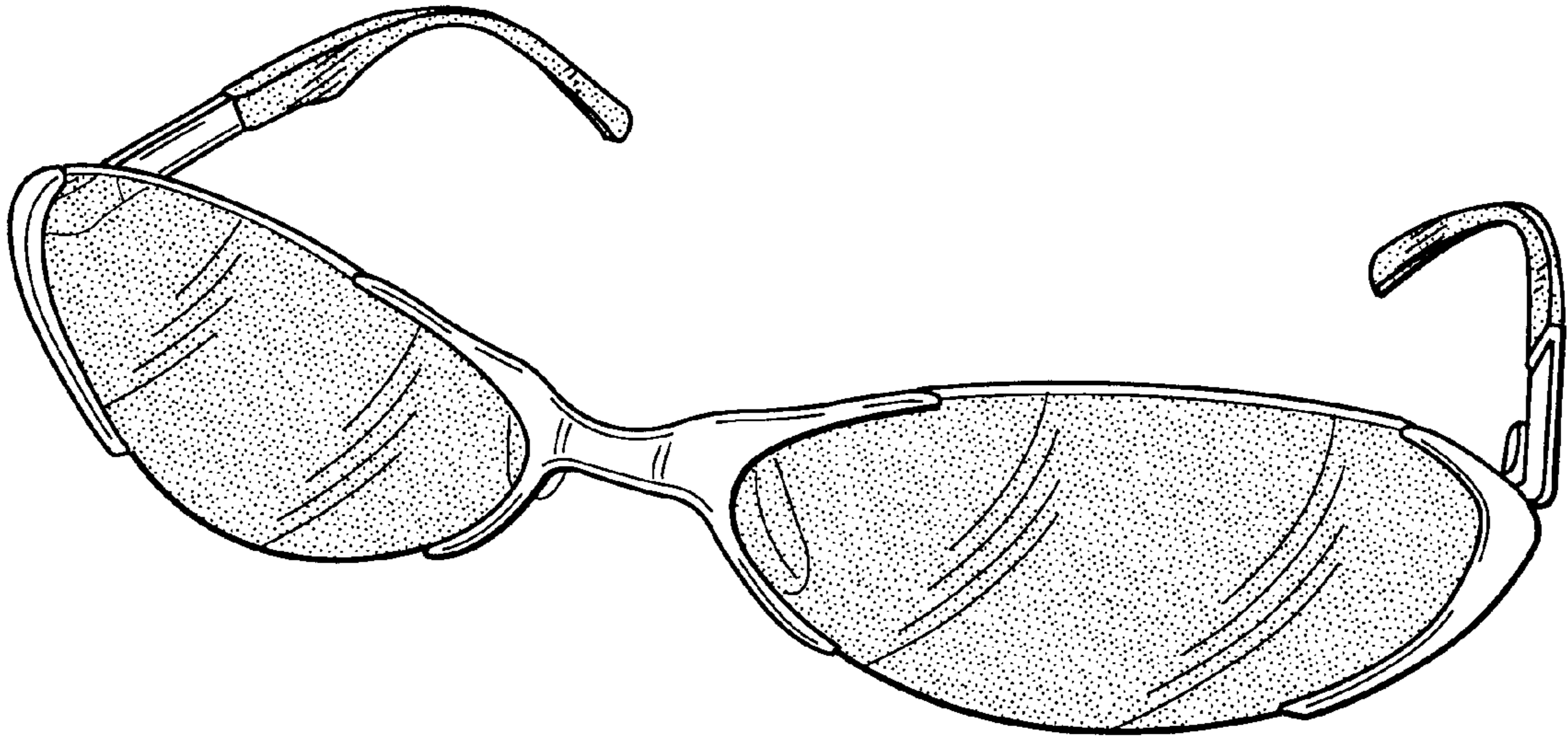


FIG. 29

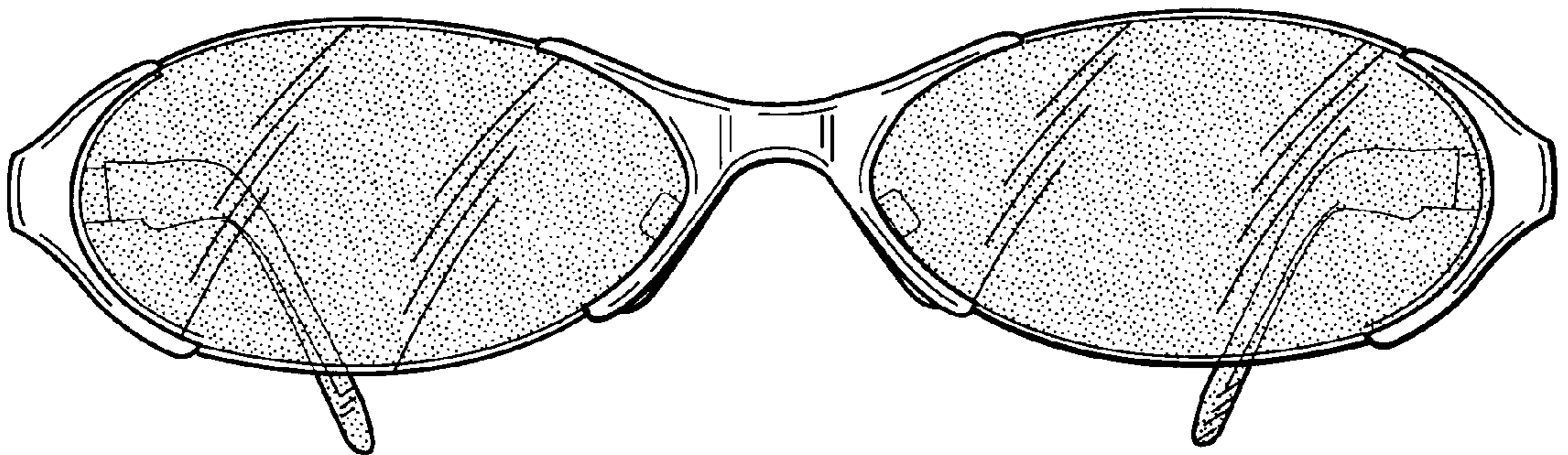


FIG. 30

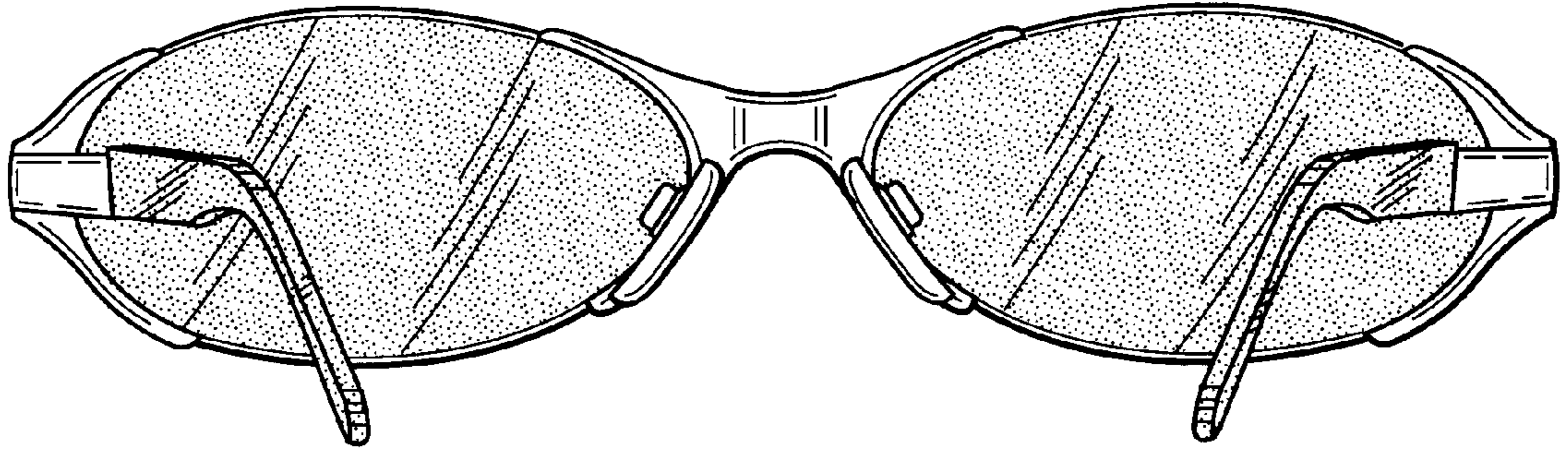


FIG. 31

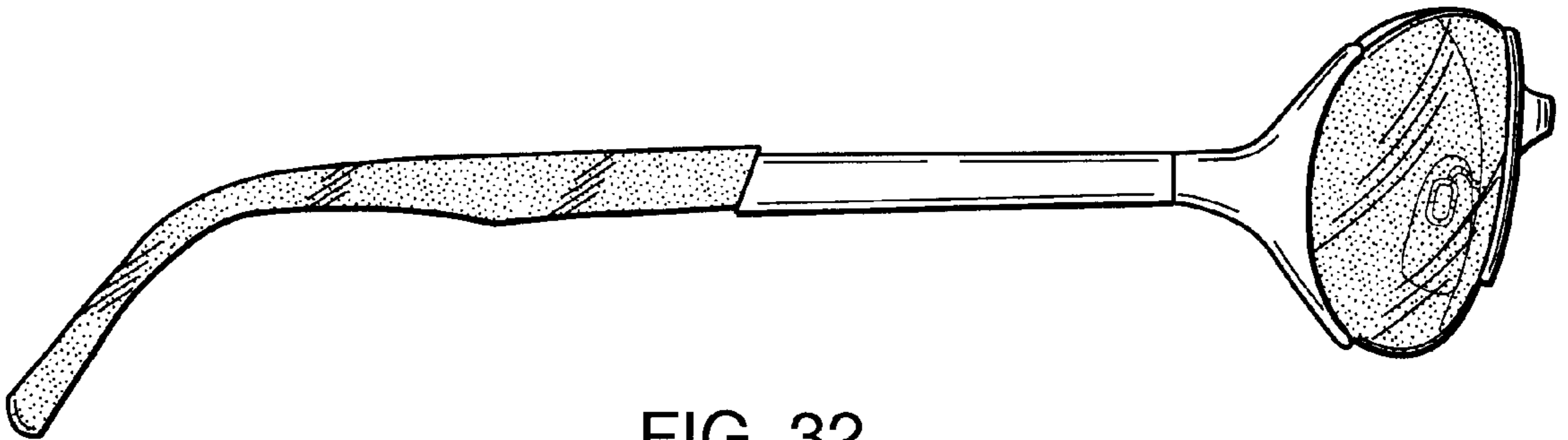


FIG. 32

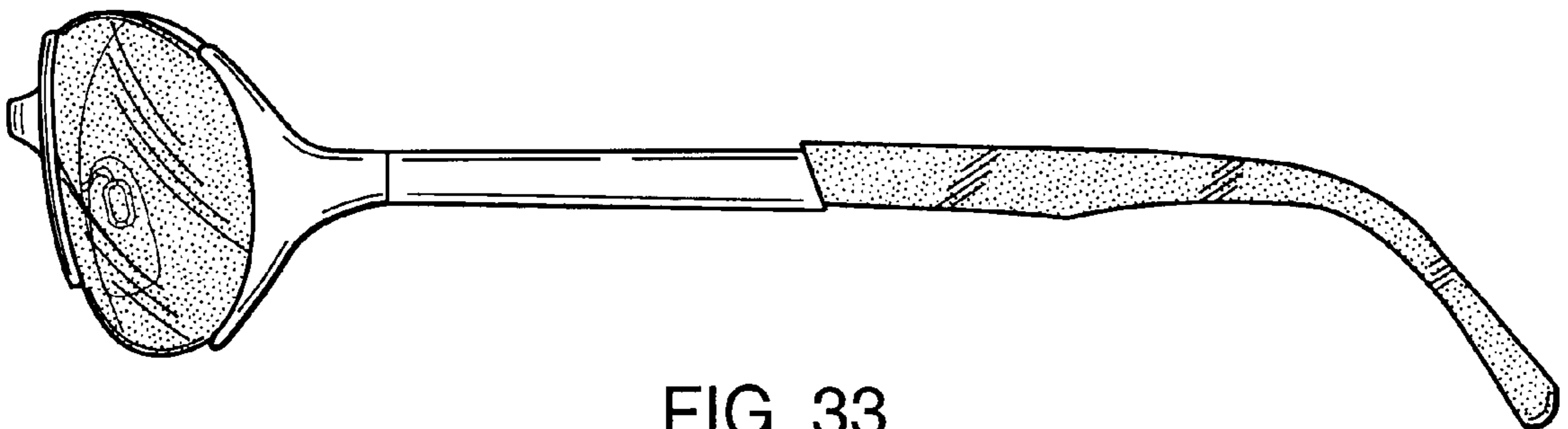


FIG. 33

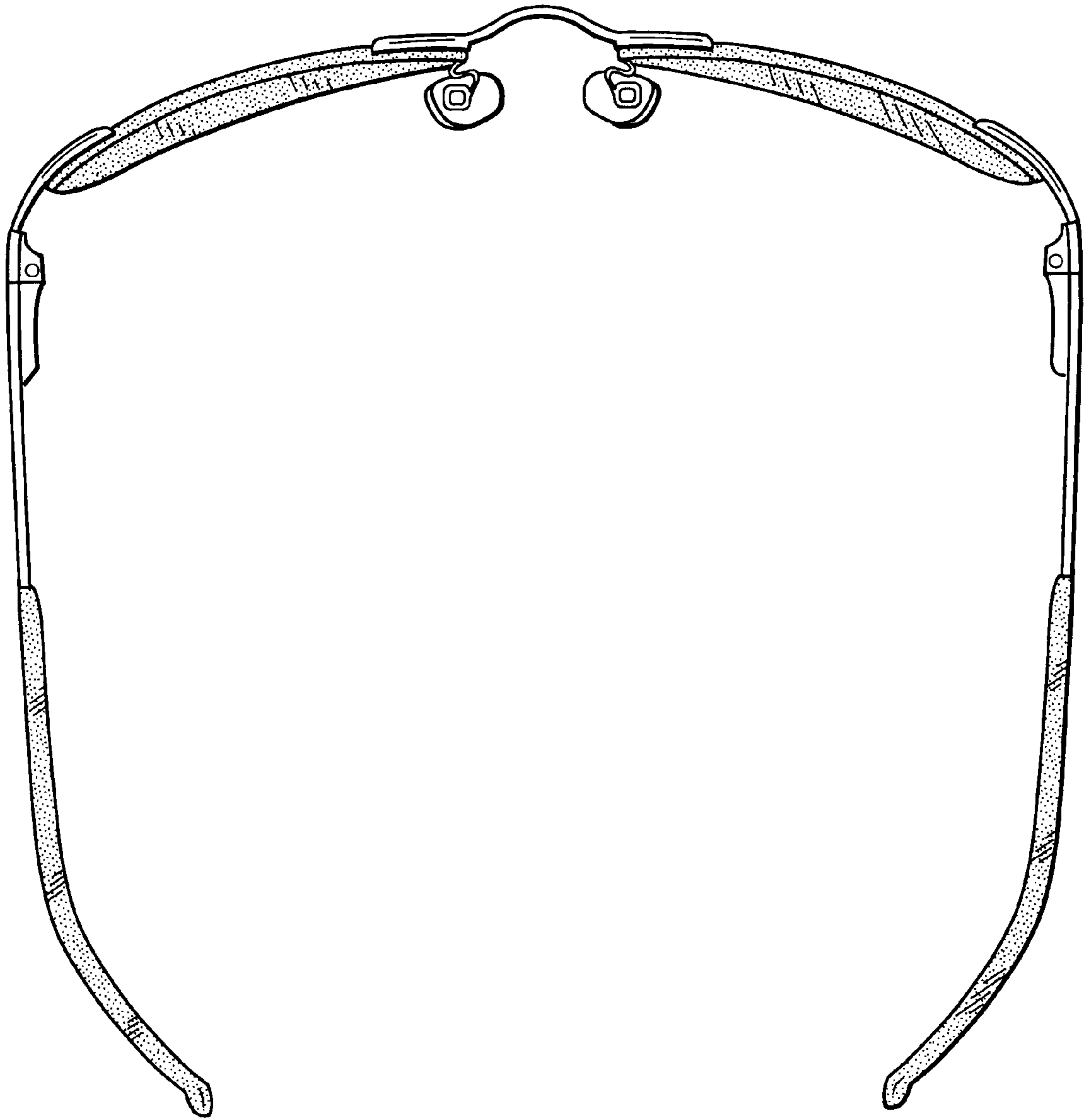


FIG. 34

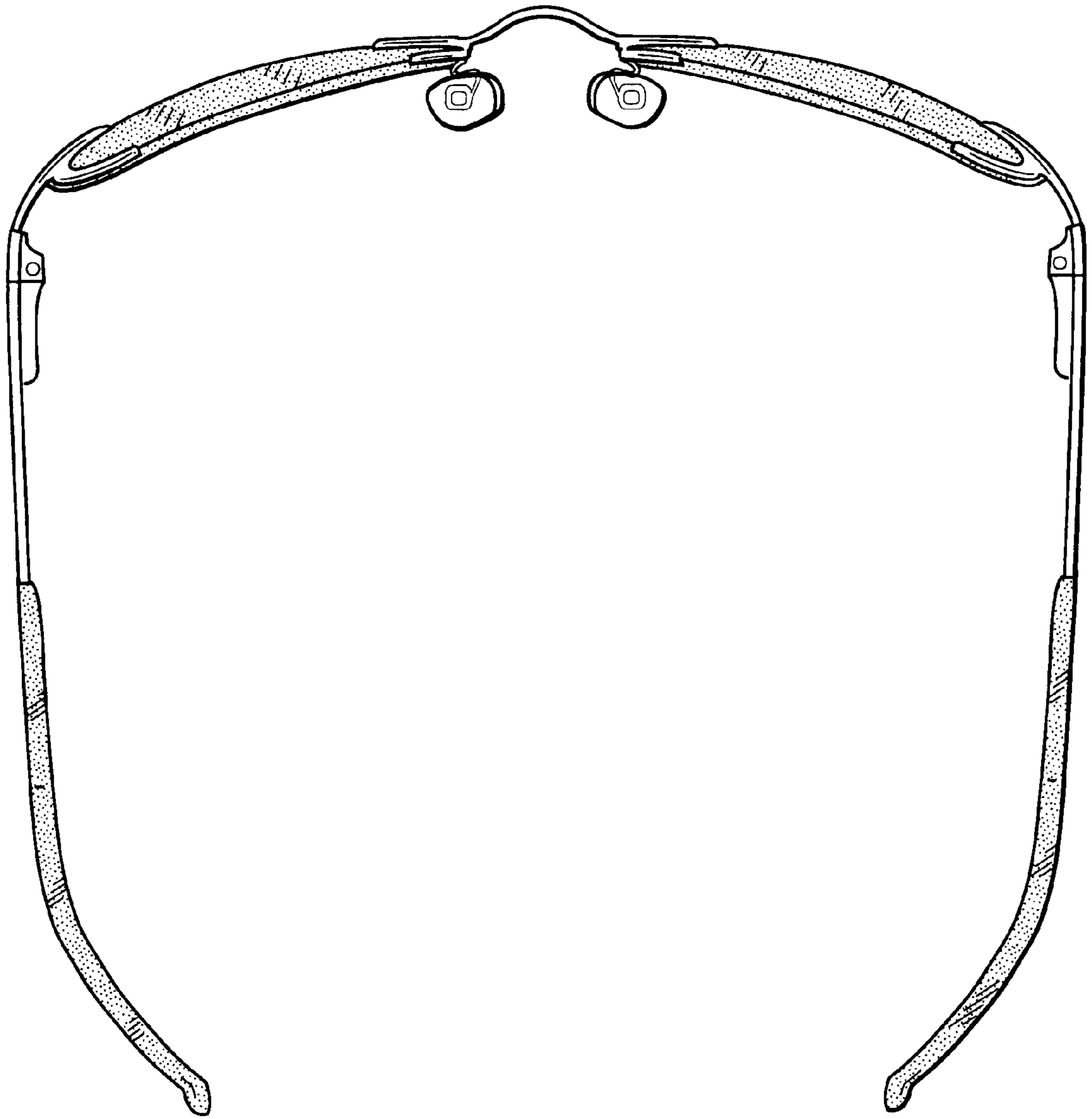


FIG. 35