



US00D460097S

(12) **United States Design Patent**  
**Ohi et al.**

(10) **Patent No.:** **US D460,097 S**

(45) **Date of Patent:** **\*\* Jul. 9, 2002**

(54) **COMBINED MONITOR, VIDEO TAPE  
RECORDER AND VIDEO CAMERA**

(75) Inventors: **Hiroshi Ohi; Seiji Kurokawa; Masaki  
Iinuma**, all of Tochigi-ken (JP)

(73) Assignee: **Sharp Kabushiki Kaisha**, Osaka (JP)

(\*\*) Term: **14 Years**

(21) Appl. No.: **29/149,506**

(22) Filed: **Oct. 12, 2001**

(30) **Foreign Application Priority Data**

Apr. 13, 2001 (JP) ..... 2001-010668

(51) **LOC (7) Cl.** ..... **16-01**

(52) **U.S. Cl.** ..... **D16/202**

(58) **Field of Search** ..... D16/200-206,  
D16/208, 209, 218; 348/373-376; 358/906,  
909.1; 396/535-541

(56) **References Cited**

**U.S. PATENT DOCUMENTS**

4,456,931 A *	6/1984	Toyoda et al. ....	358/906
D341,368 S	11/1993	Ooi et al. ....	D16/202
D341,369 S	11/1993	Sakata ....	D16/202
D347,235 S	5/1994	Ooi et al. ....	D16/202
D347,236 S	5/1994	Ooi et al. ....	D16/202
D351,157 S	10/1994	Usami et al.	
D352,728 S	11/1994	Kurokawa et al.	
D352,729 S	11/1994	Tsujimura et al.	
D356,097 S	3/1995	Sakata et al.	
D365,116 S	12/1995	Ohi et al.	

D365,587 S	12/1995	Saeki et al.	
D366,269 S	1/1996	Ohi et al.	
D366,492 S	1/1996	Kume et al.	
D366,658 S	1/1996	Fukutome	
D380,226 S	6/1997	Ohi et al.	
D386,507 S	11/1997	Ohi et al.	
D392,298 S	3/1998	Ohi et al.	
D423,544 S *	4/2000	Yamamoto et al. ....	D16/218
D428,034 S	7/2000	Akiyama et al.	
D439,262 S	3/2001	Yamamoto et al.	
D440,588 S	4/2001	Ohi et al.	
D442,614 S *	5/2001	Sumita .....	D16/202
D450,737 S *	11/2001	Suzuki .....	D16/202

\* cited by examiner

*Primary Examiner*—Adir Aronovich

(74) *Attorney, Agent, or Firm*—Nixon & Vanderhye

(57) **CLAIM**

The ornamental design for a combined monitor, video tape recorder and video camera, as shown and described.

**DESCRIPTION**

FIG. 1 is a top, left side and front perspective view of a combined monitor, video tape recorder and video camera according to our design;

FIG. 2 is a top, right side and rear perspective view thereof;

FIG. 3 is a front elevational view thereof;

FIG. 4 is a rear elevational view thereof;

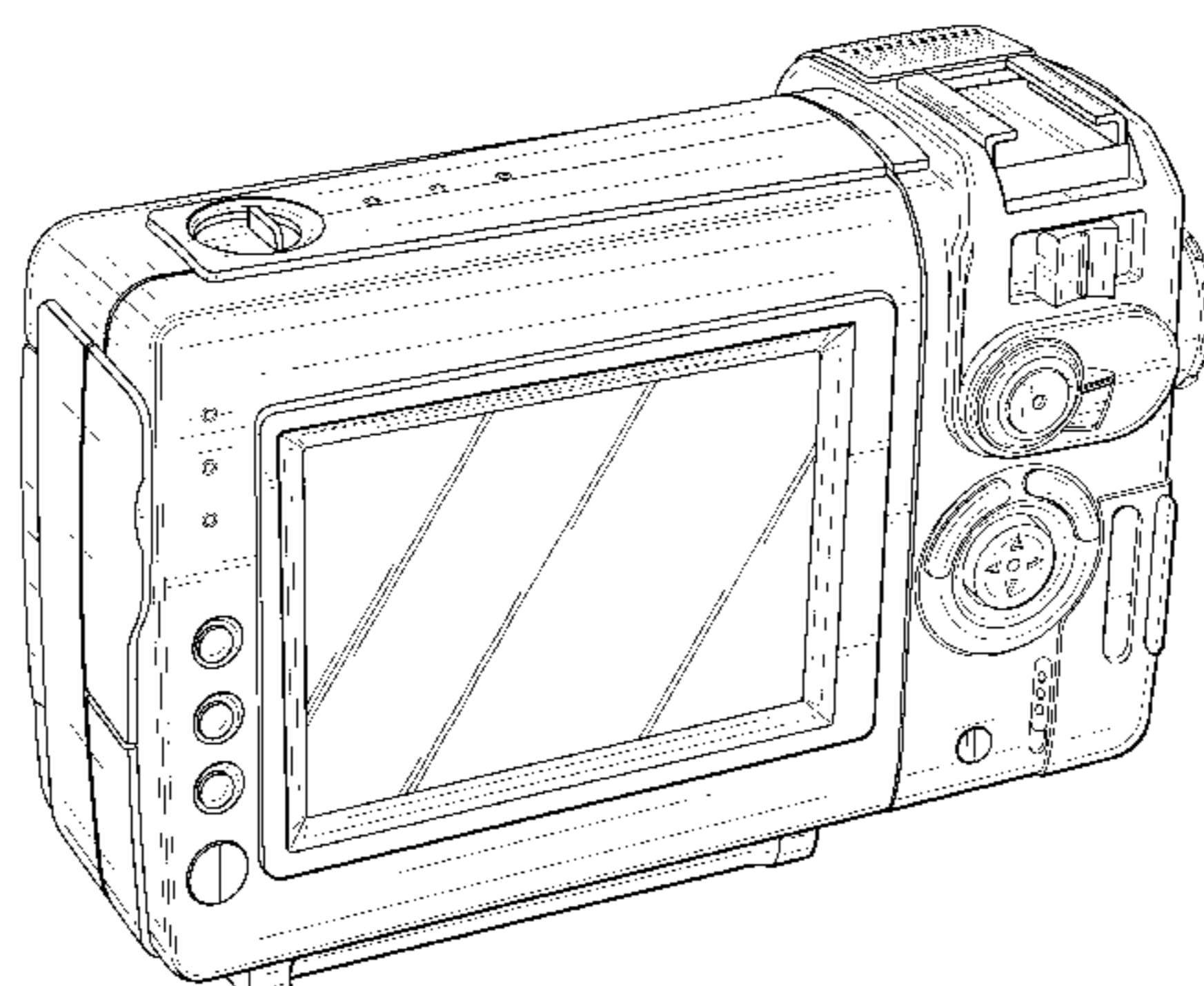
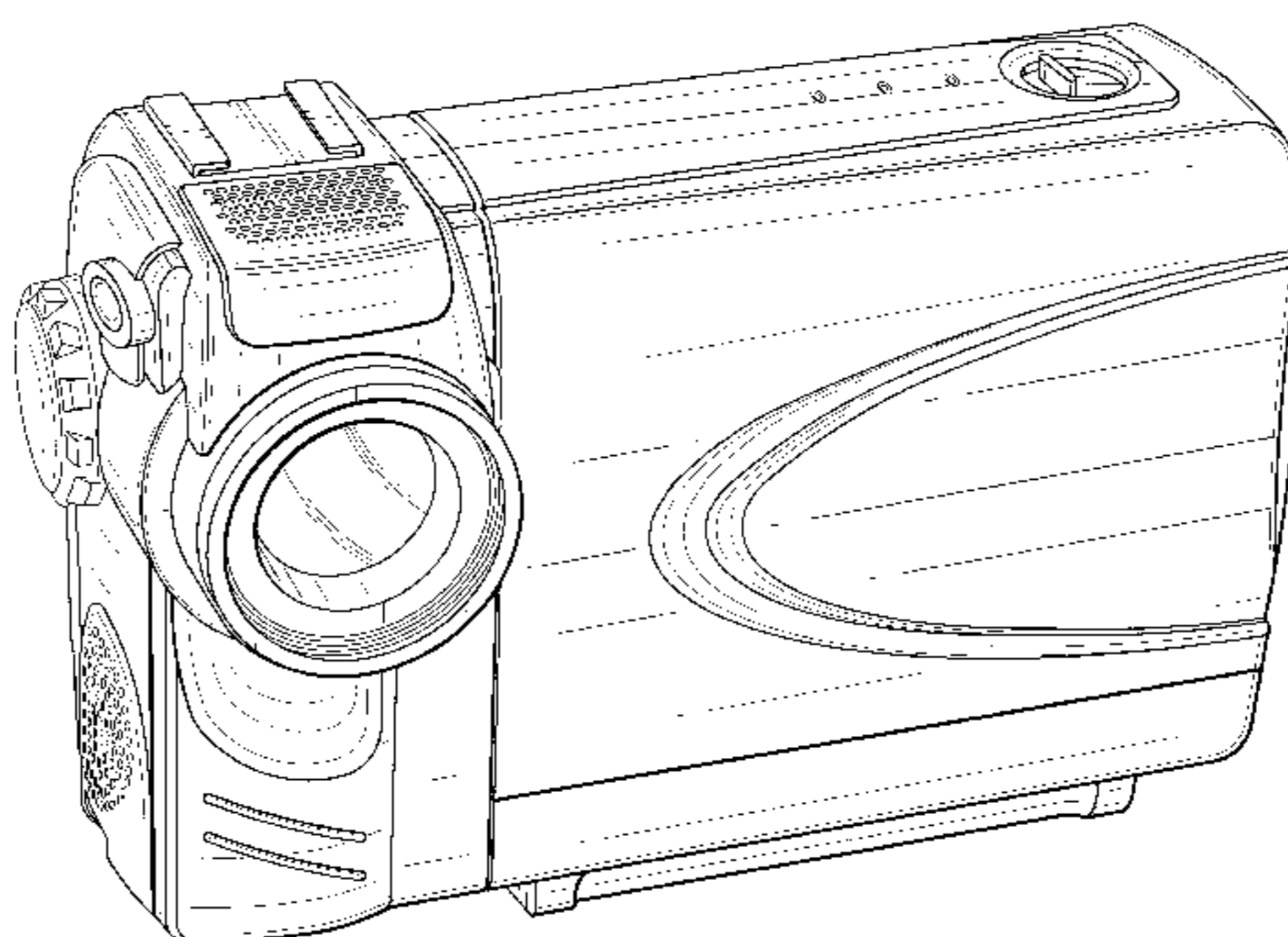
FIG. 5 is a top plan view thereof;

FIG. 6 is a bottom plan view thereof;

FIG. 7 is a right side elevational view thereof; and,

FIG. 8 is a left side elevational view thereof.

**1 Claim, 8 Drawing Sheets**



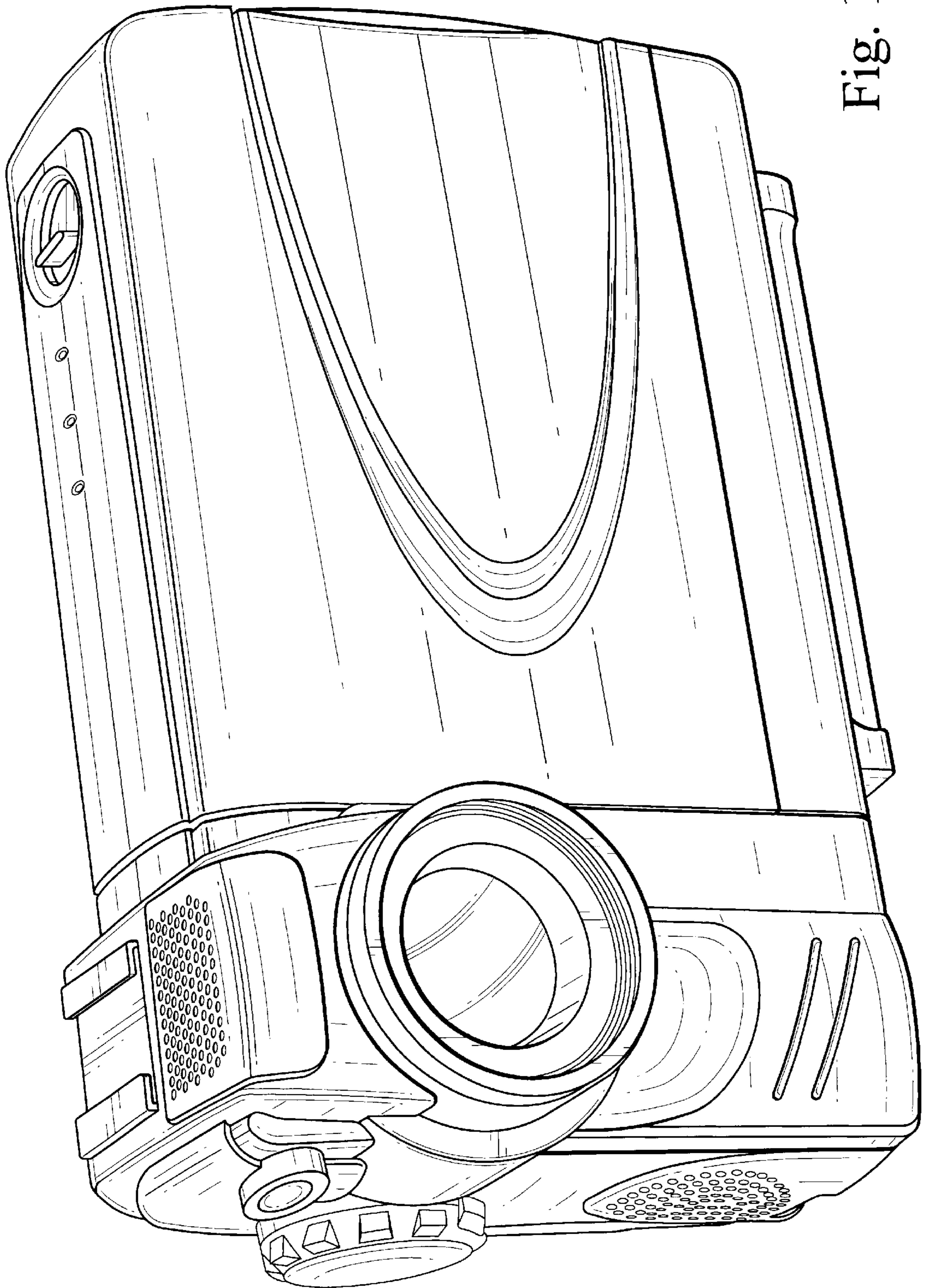


Fig. 1

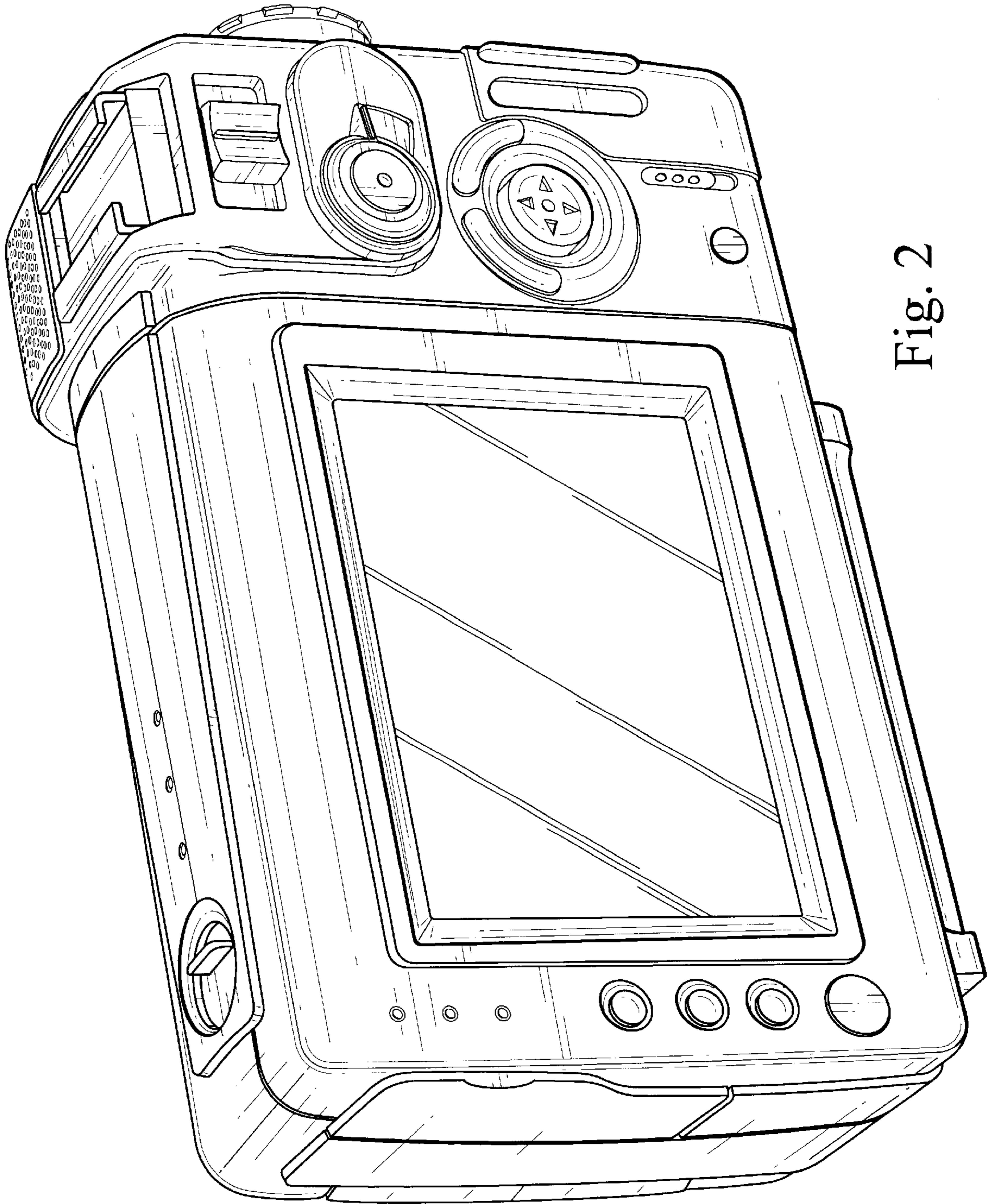


Fig. 2

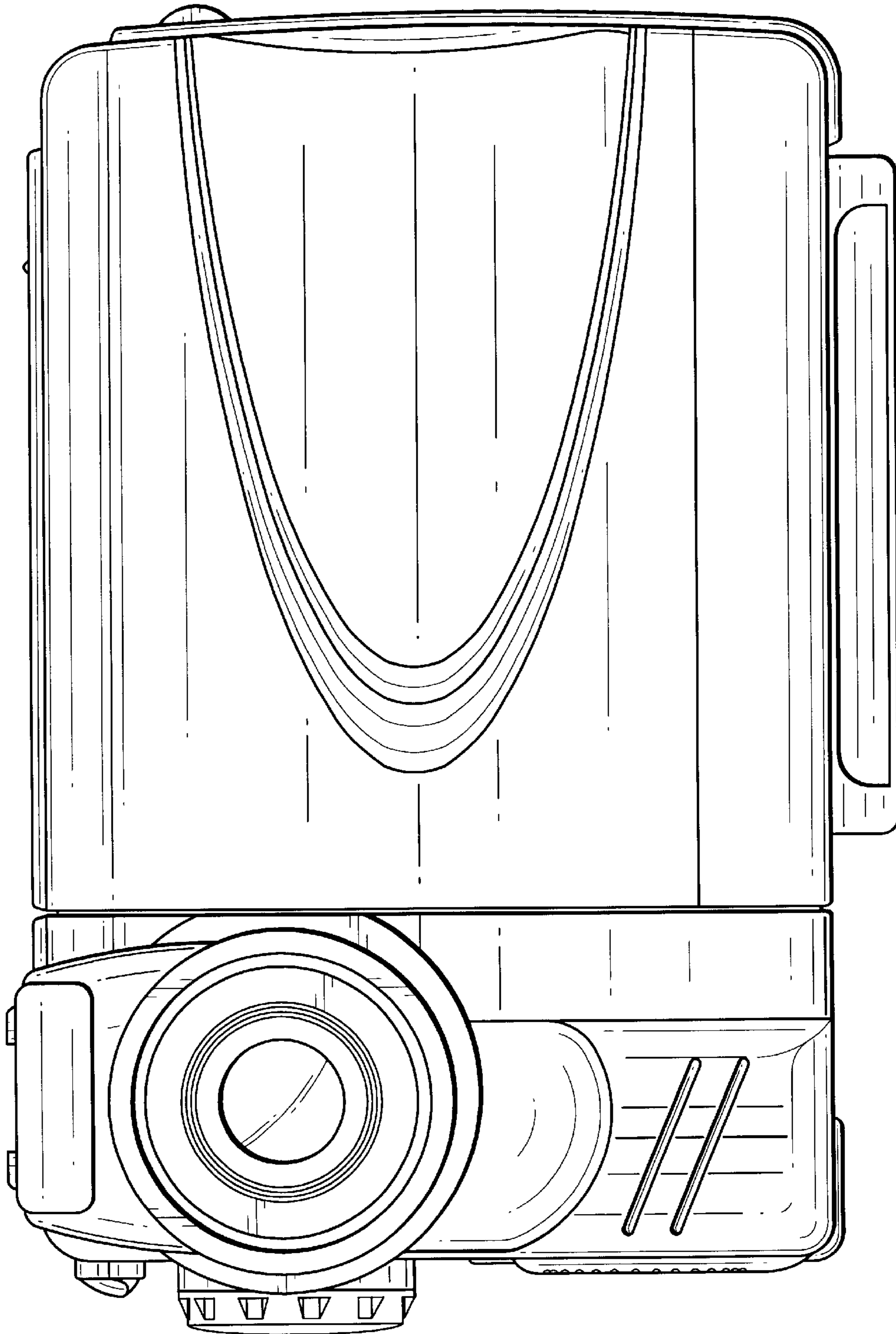


Fig. 3

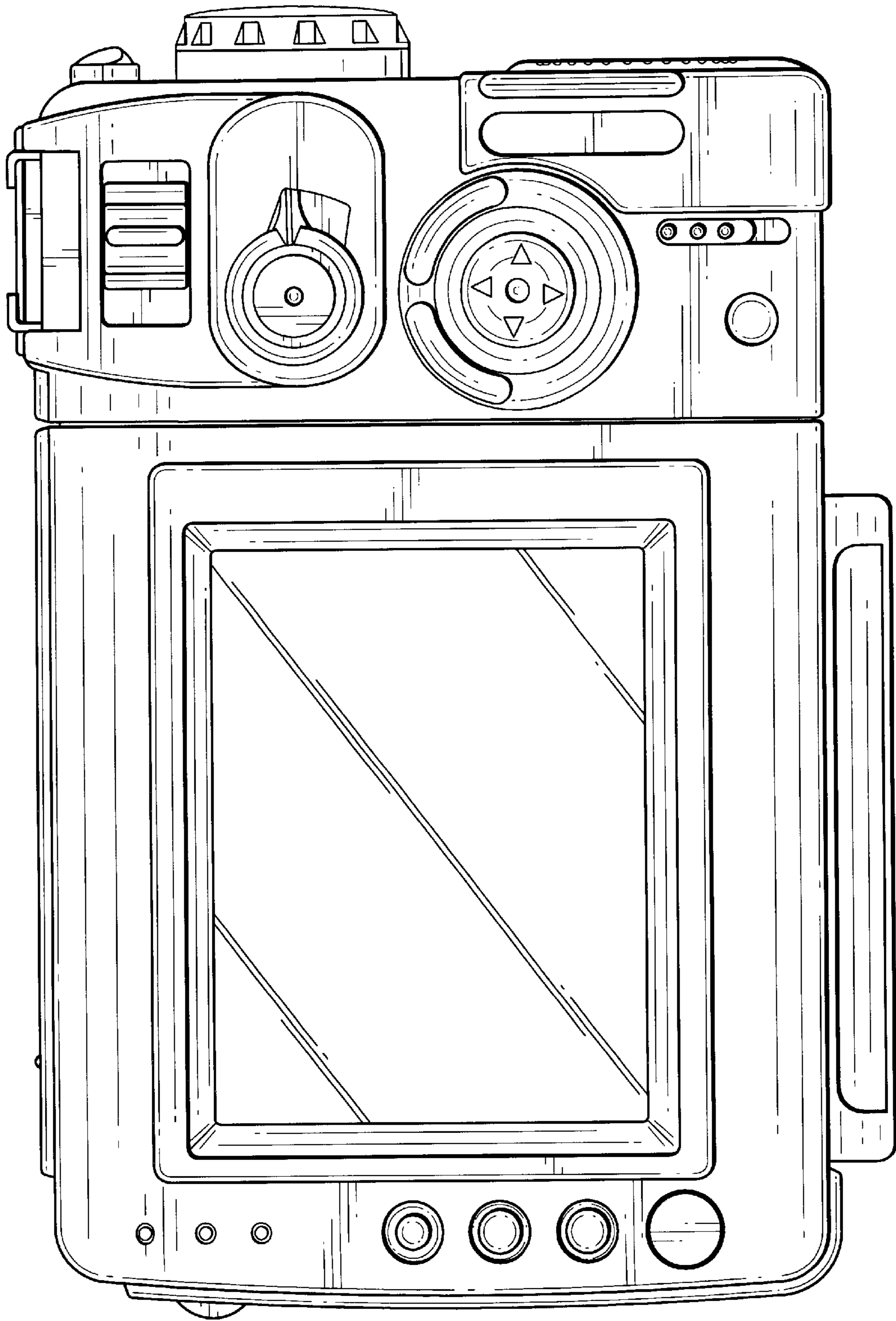


Fig. 4

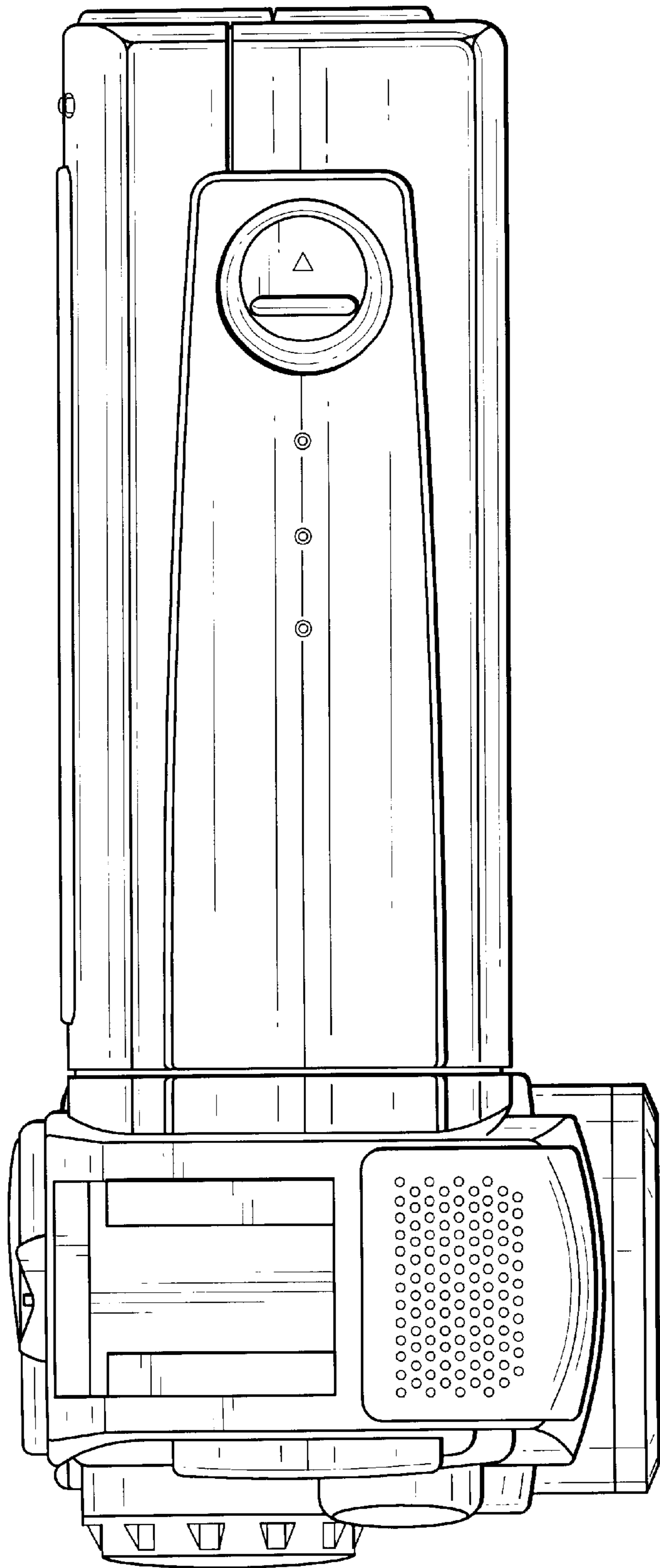


Fig. 5

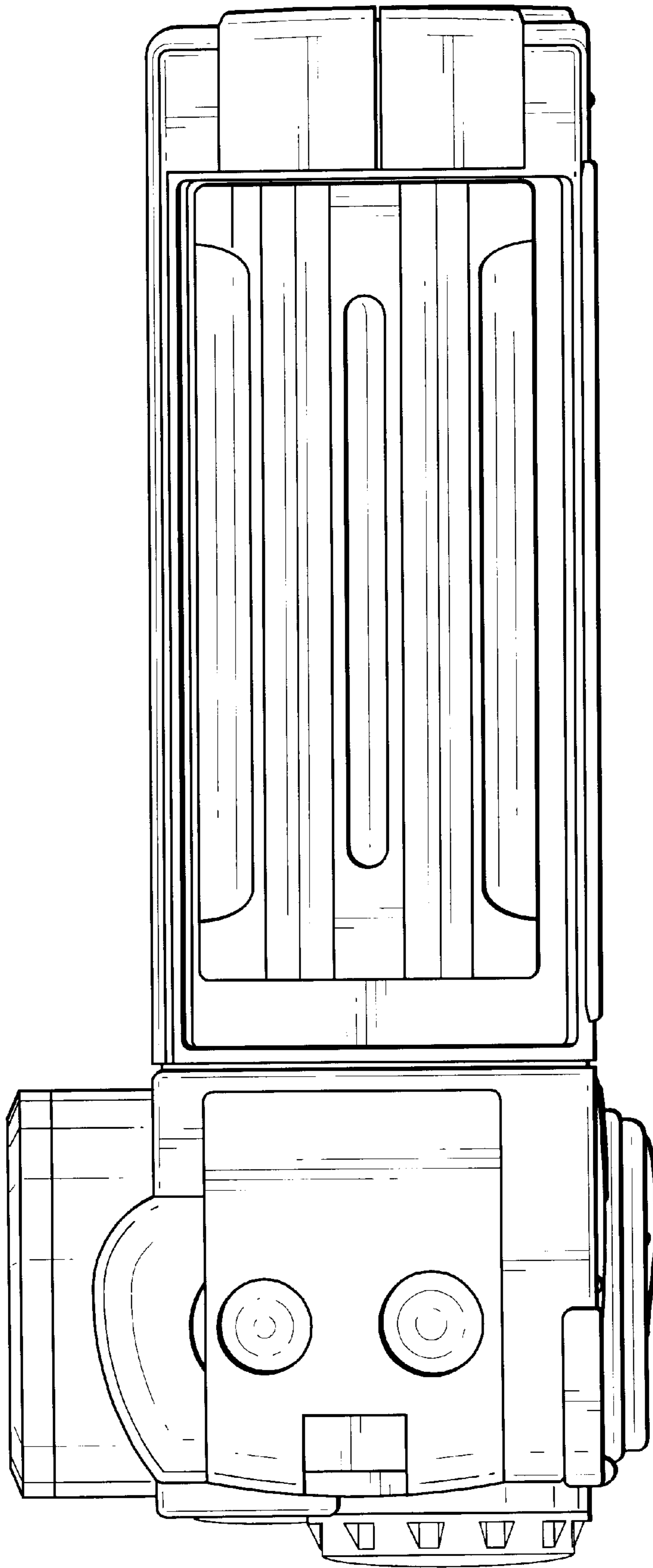


Fig. 6

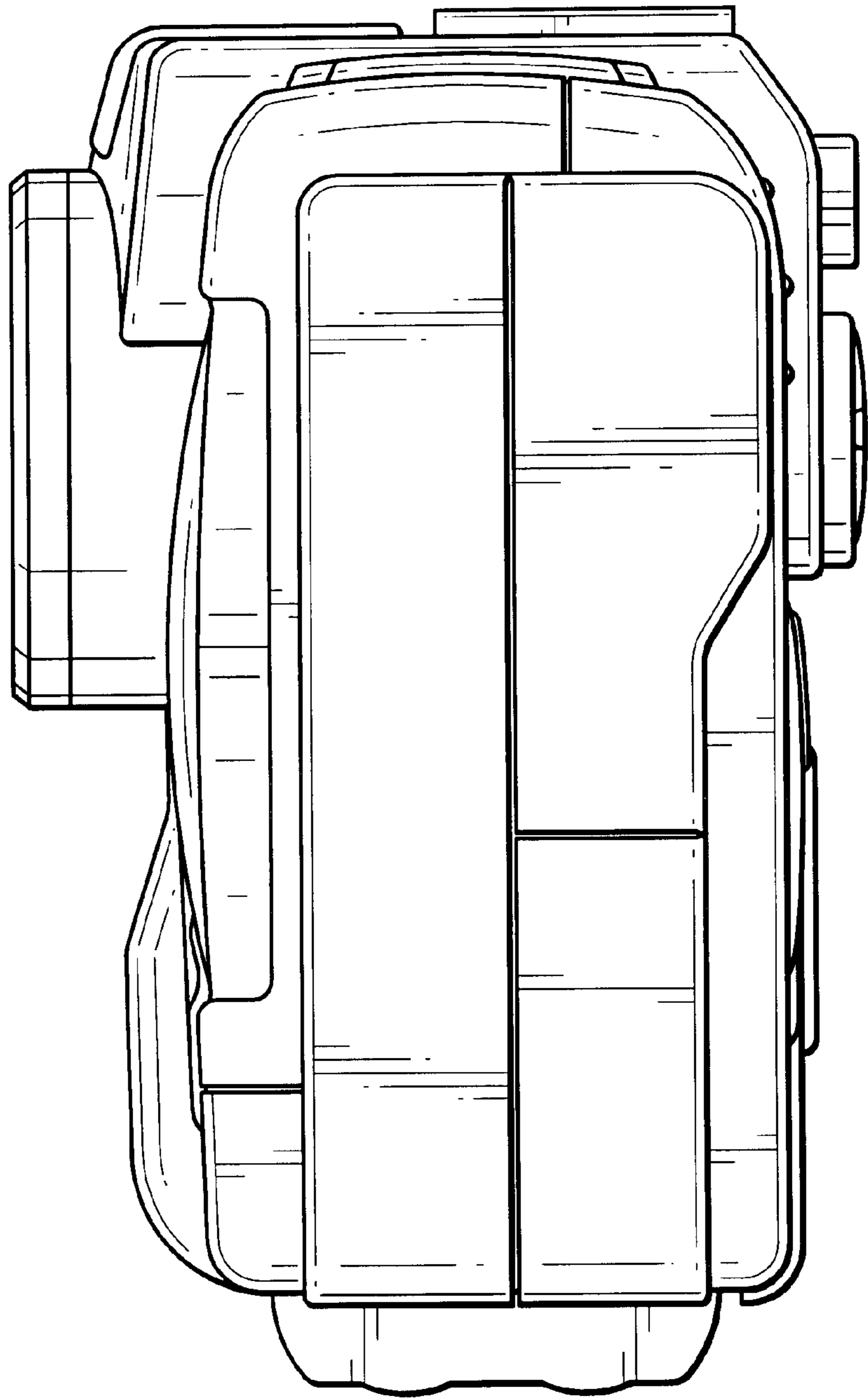


Fig. 7



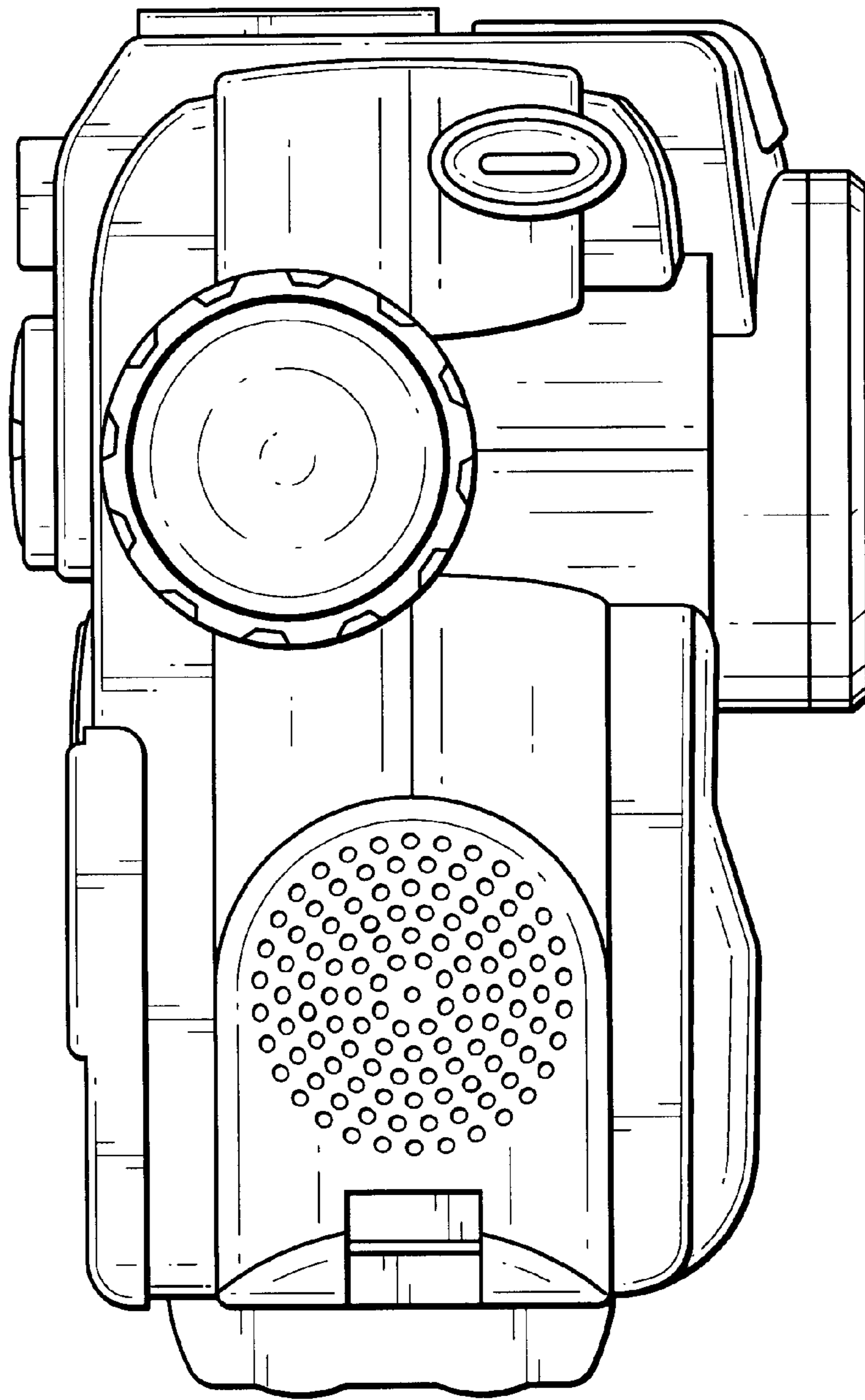


Fig. 8