



US00D460096S

(12) **United States Design Patent**  
**Apothéloz**

(10) **Patent No.:** **US D460,096 S**

(45) **Date of Patent:** **\*\* Jul. 9, 2002**

(54) **MICROSCOPE**

(75) **Inventor:** **Christophe Apothéloz, Gockhausen (CH)**

(73) **Assignee:** **Leica Microsystems AG, Wetzlar (DE)**

(\*\*) **Term:** **14 Years**

(21) **Appl. No.:** **29/151,915**

(22) **Filed:** **Dec. 14, 2001**

(30) **Foreign Application Priority Data**

Jun. 22, 2001 (DE) ..... 4 01 05 494

(51) **LOC (7) Cl.** ..... **16-06**

(52) **U.S. Cl.** ..... **D16/131**

(58) **Field of Search** ..... D16/130, 131,  
D16/134; 359/375, 376, 368, 381, 382,  
383, 385, 388, 390, 392, 393

(56) **References Cited**

**U.S. PATENT DOCUMENTS**

- 3,795,377 A \* 3/1974 Dietrich ..... 359/383
- D273,592 S \* 4/1984 Armbruster ..... D16/131
- D273,685 S \* 5/1984 Yamada ..... D16/131
- D355,430 S \* 2/1995 Hofmann-Igl ..... D16/131
- D417,880 S \* 12/1999 Wani et al. .... D16/131
- D420,028 S \* 2/2000 Wani et al. .... D16/131

- D436,973 S \* 1/2001 Kawahata ..... D16/131
- D439,258 S \* 3/2001 Kawahata ..... D16/131
- 6,304,375 B1 \* 10/2001 Furuhashi ..... 359/385

\* cited by examiner

*Primary Examiner*—Paula A. Mortimer

(74) *Attorney, Agent, or Firm*—Crowell & Moring LLP

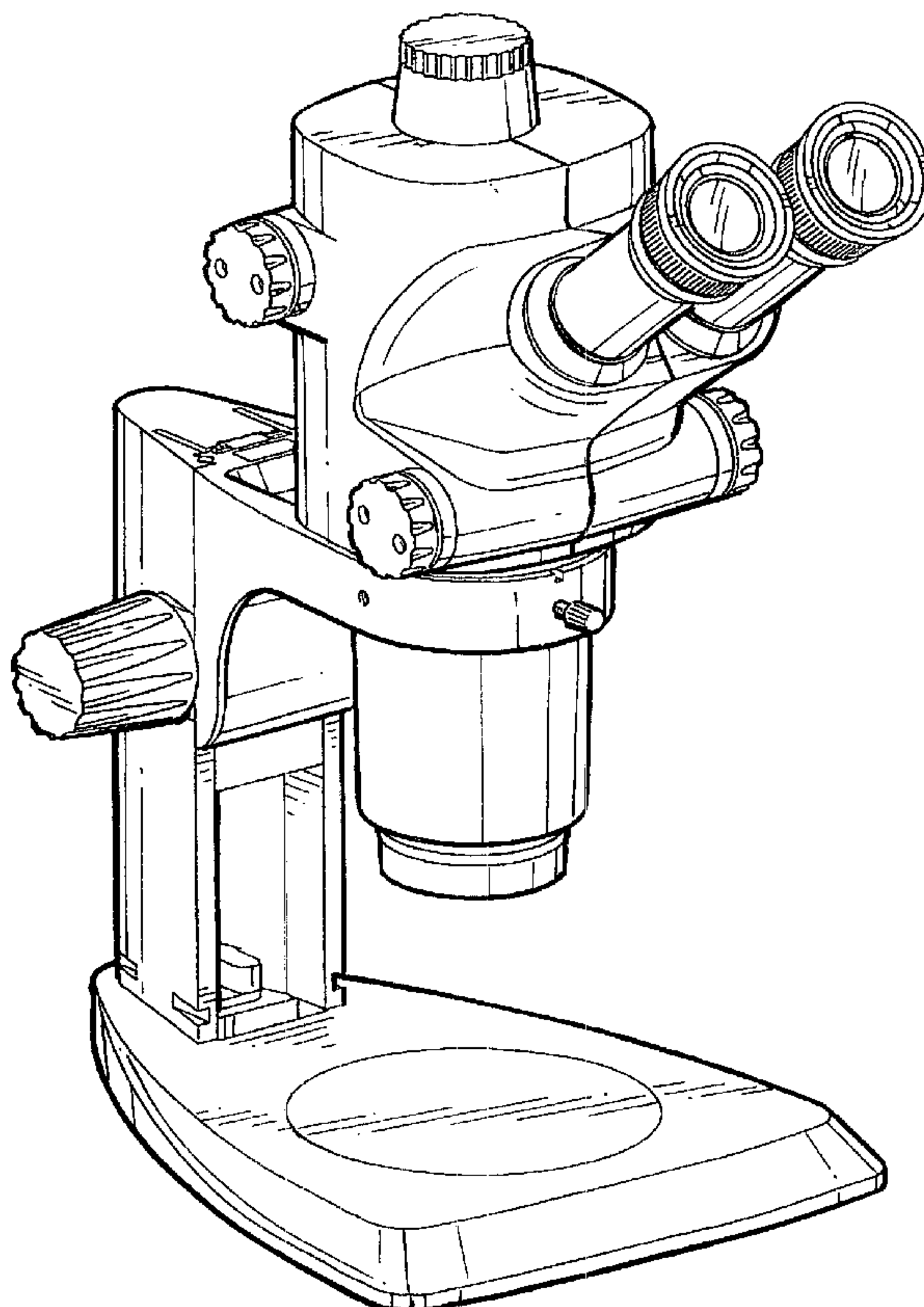
(57) **CLAIM**

The ornamental design for a microscope, as shown and described.

**DESCRIPTION**

FIG. 1 is a front, perspective view of a microscope according to my novel design;  
 FIG. 2 is a right side view of the microscope according to my novel design;  
 FIG. 3 is a left side view of the microscope according to my novel design;  
 FIG. 4 is rear view of the microscope according to my novel design;  
 FIG. 5 is a front view of the microscope according to my novel design;  
 FIG. 6 is a top view of the microscope according to my novel design; and,  
 FIG. 7 is a bottom view of the microscope according to my novel design.

**1 Claim, 4 Drawing Sheets**



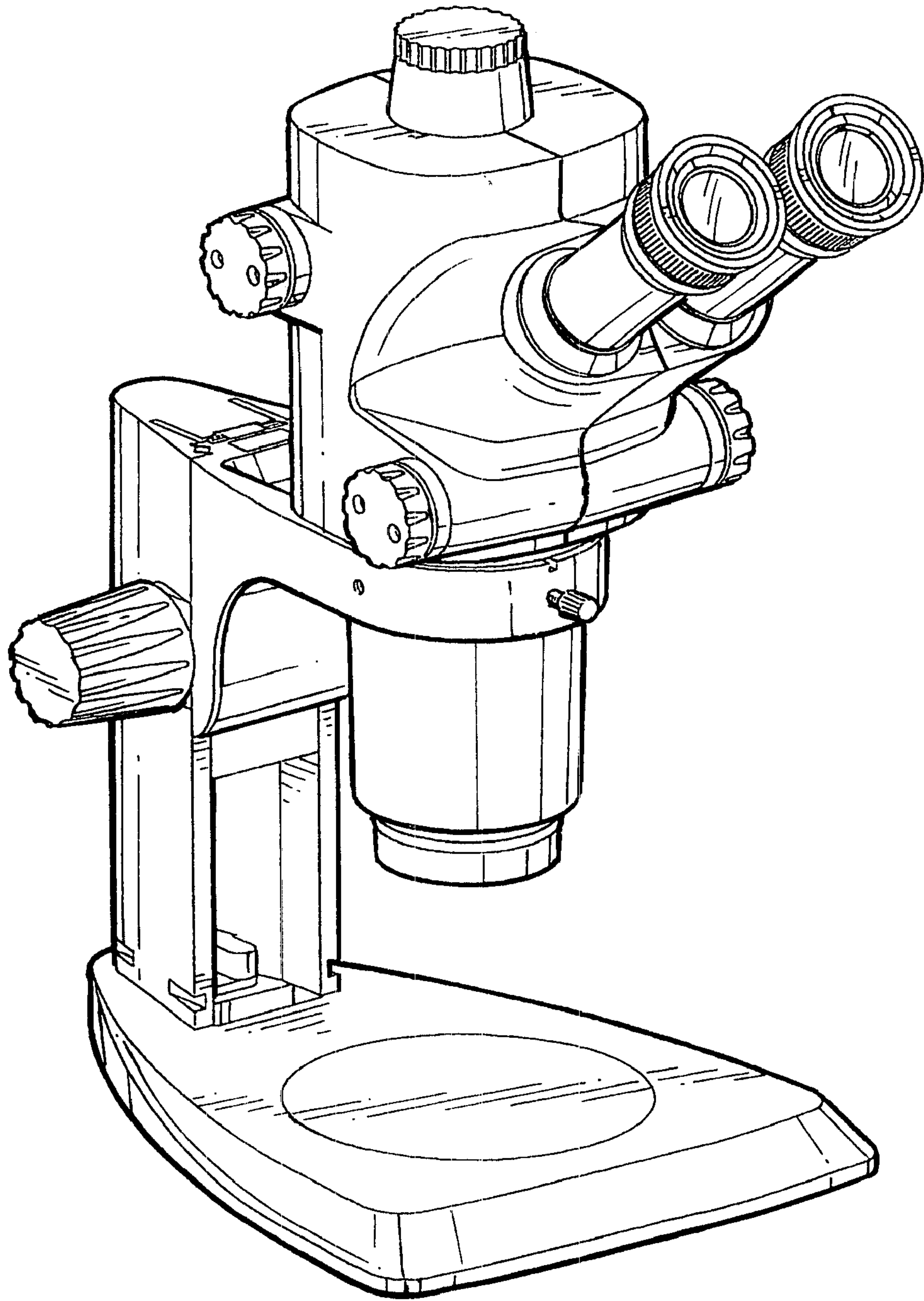


FIG. 1

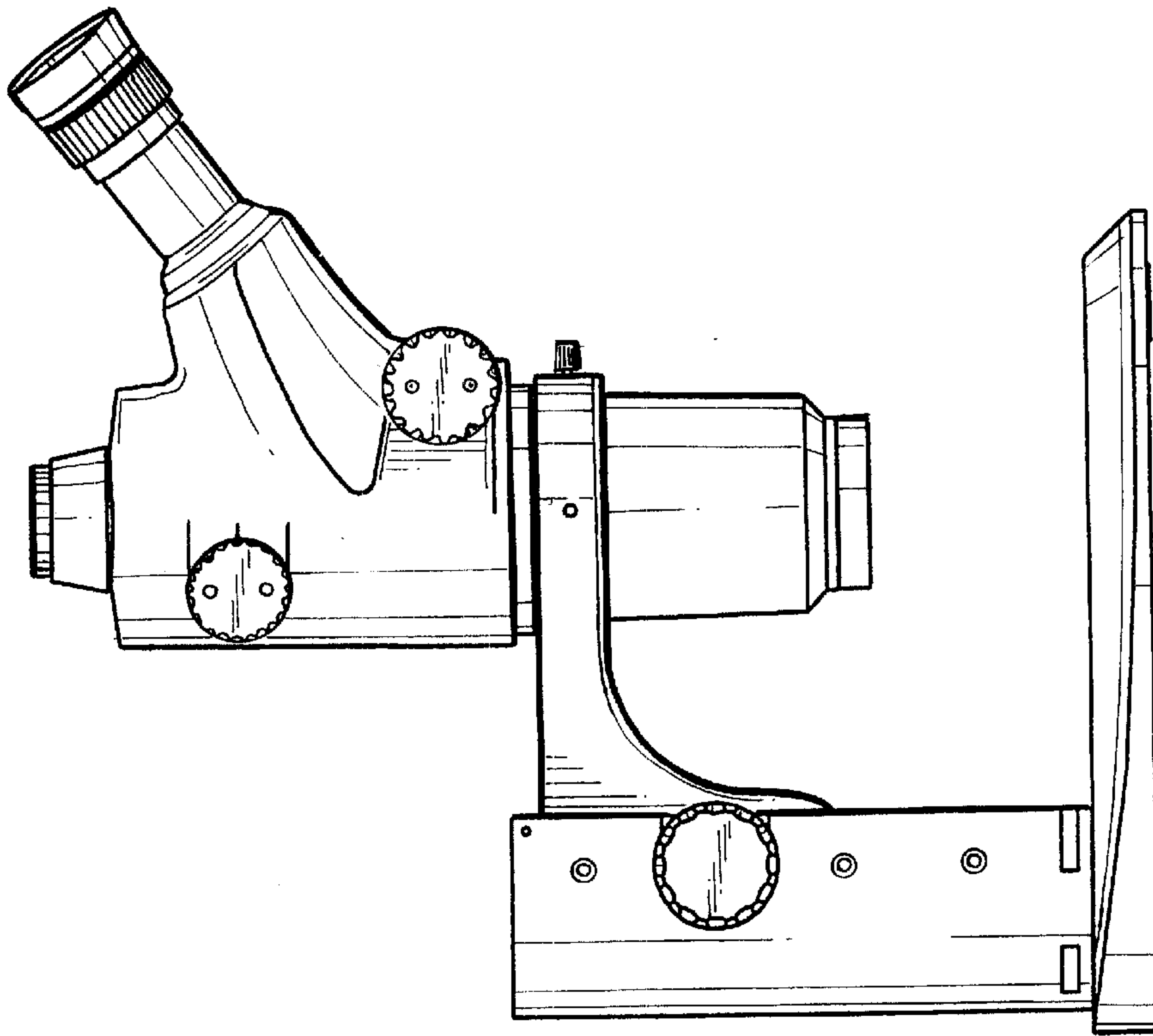


FIG. 3

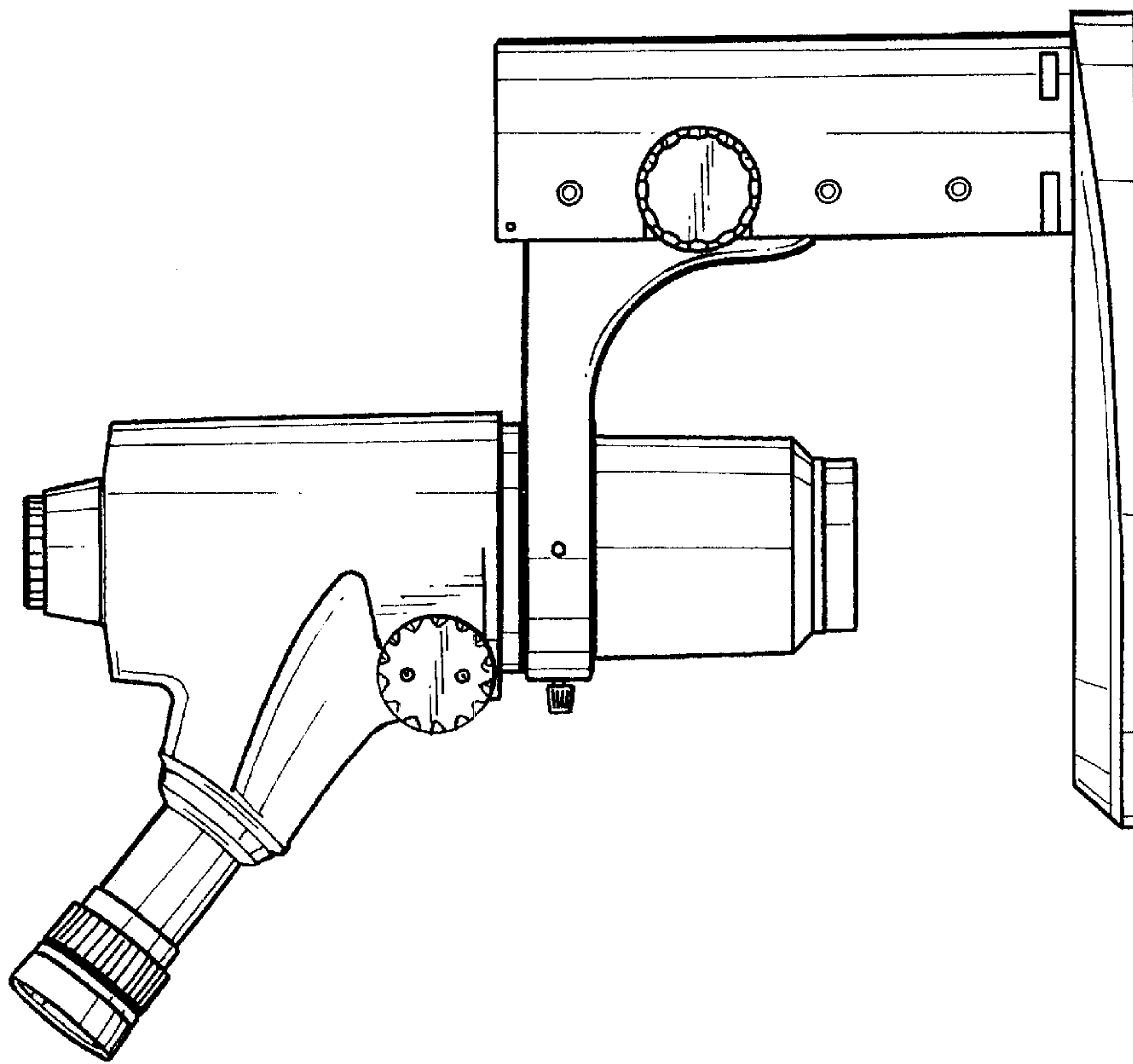


FIG. 2

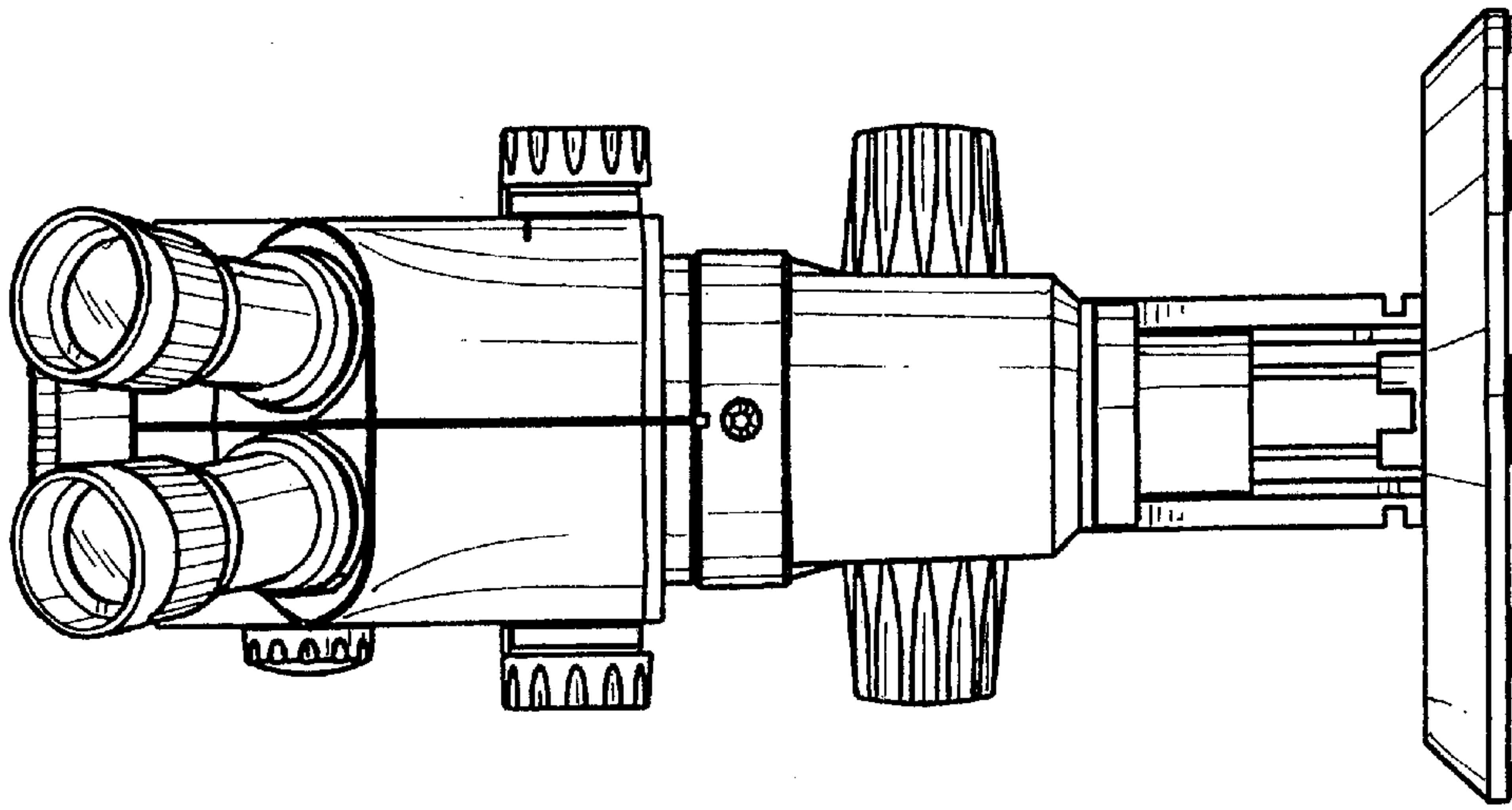


FIG. 5

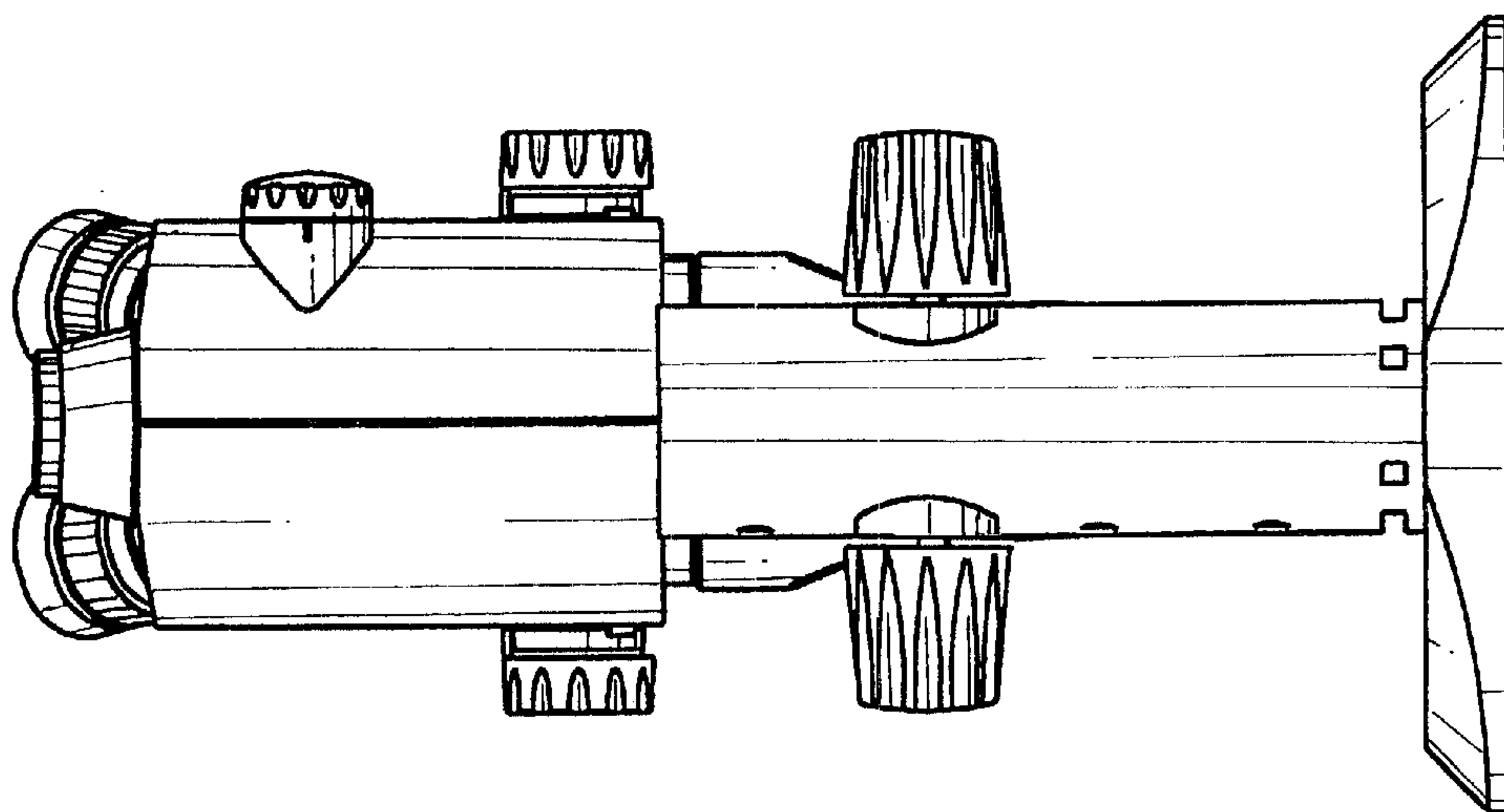


FIG. 4



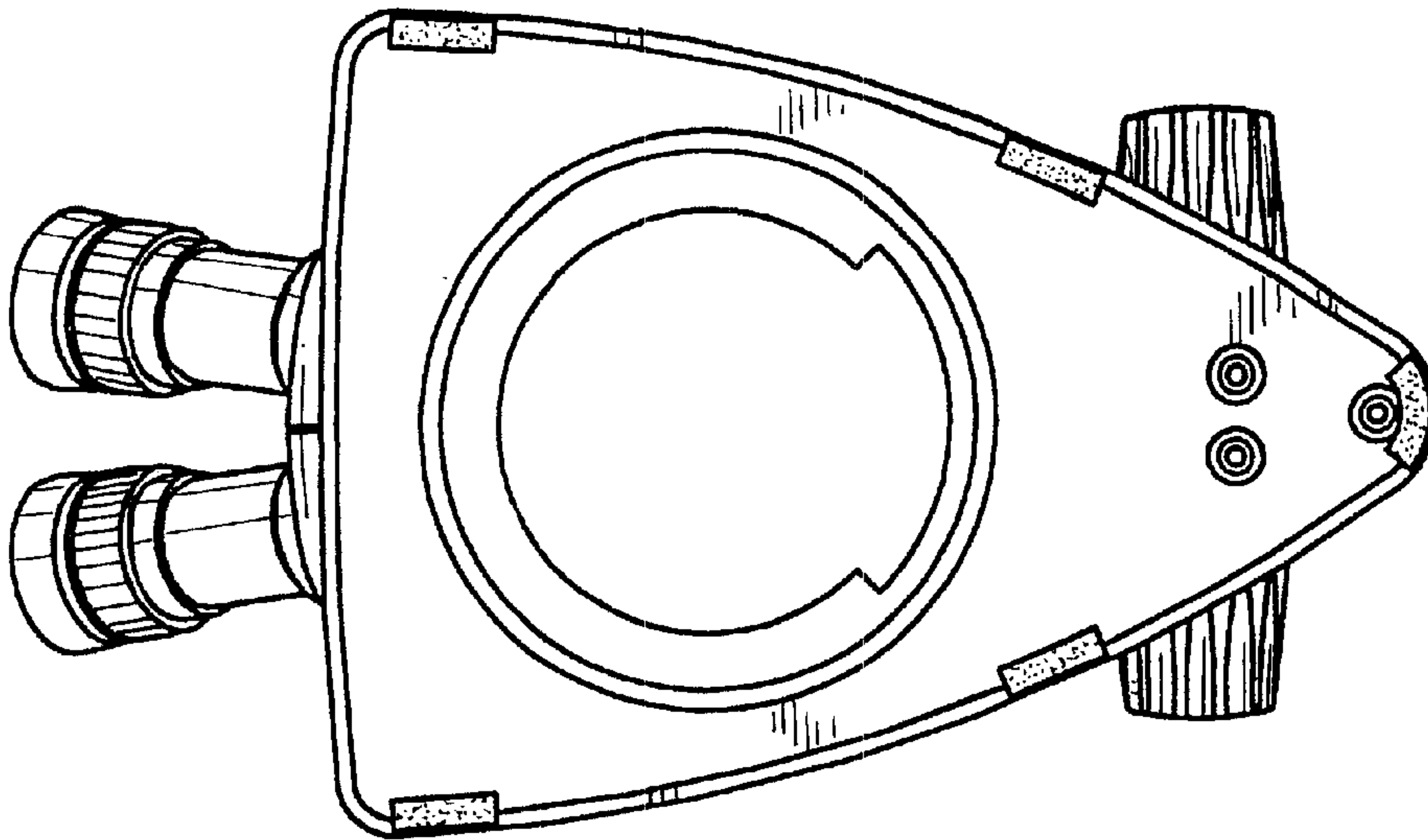


FIG. 7

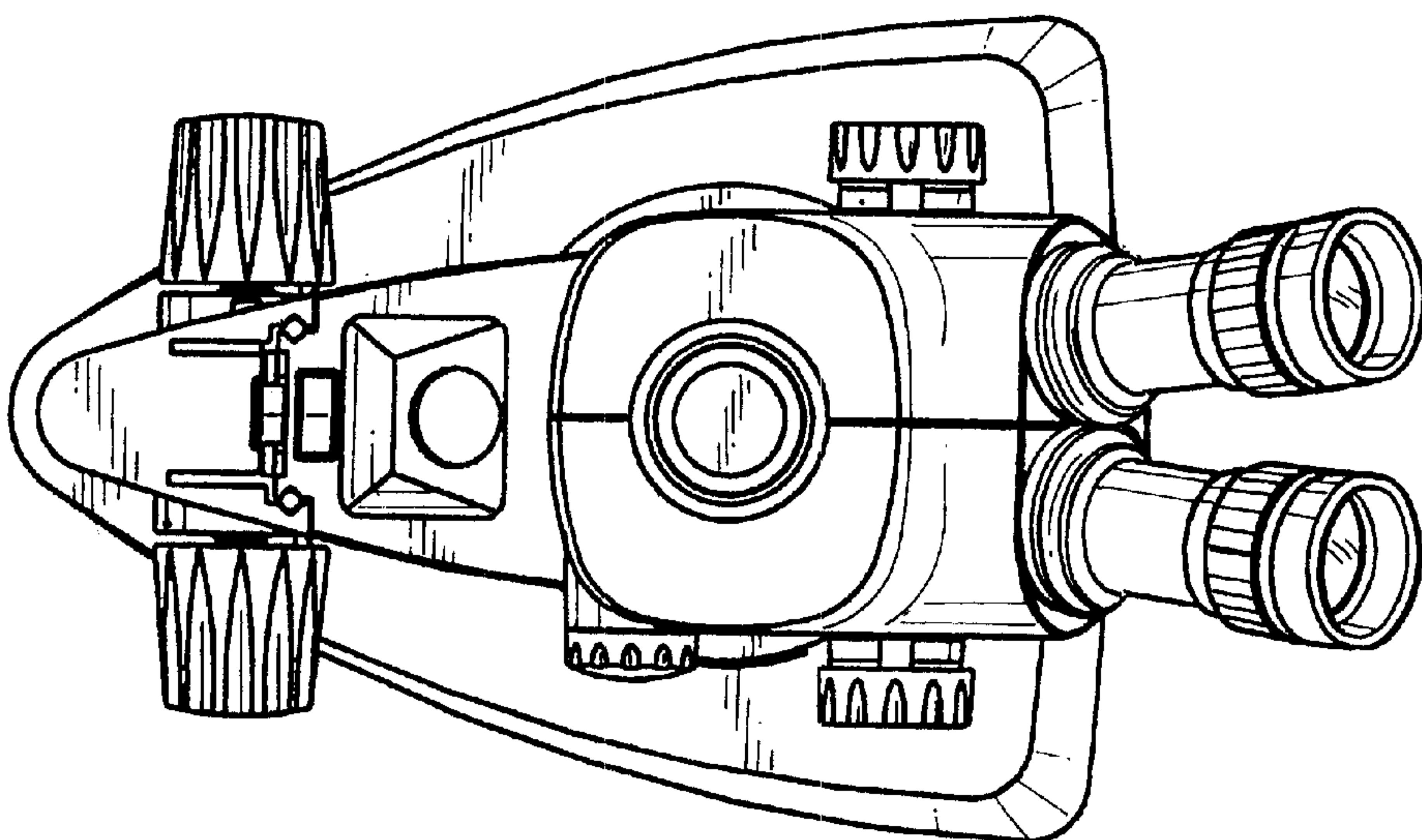


FIG. 6

UNITED STATES PATENT AND TRADEMARK OFFICE  
**CERTIFICATE OF CORRECTION**

PATENT NO. : Des. 460,096 S  
DATED : July 9, 2002  
INVENTOR(S) : Christophe Apothéloz

Page 1 of 1

It is certified that error appears in the above-identified patent and that said Letters Patent is hereby corrected as shown below:

Title page.

Item [73], Assignee, replace "Wetzlar (DE)", with -- Heerbrugg (CH) --.

Signed and Sealed this

Twenty-eighth Day of March, 2006

A handwritten signature in black ink on a dotted background. The signature reads "Jon W. Dudas" in a cursive style.

JON W. DUDAS

*Director of the United States Patent and Trademark Office*