



US00D460095S

(12) **United States Design Patent**  
**Yoneda**

(10) **Patent No.:** **US D460,095 S**

(45) **Date of Patent:** **\*\* Jul. 9, 2002**

(54) **UNIT FOR INSPECTING A SURFACE**

(75) **Inventor:** **Kenji Yoneda, Kyoto (JP)**

(73) **Assignee:** **CCS Co., Ltd., Kyoto (JP)**

(\*\*) **Term:** **14 Years**

(21) **Appl. No.:** **29/133,873**

(22) **Filed:** **Dec. 11, 2000**

(30) **Foreign Application Priority Data**

Jun. 13, 2000 (JP) ..... 2000-015951

(51) **LOC (7) Cl.** ..... **16-99**

(52) **U.S. Cl.** ..... **D16/130**

(58) **Field of Search** ..... D16/130, 134,  
D16/136, 137, 237, 247; 356/318, 364,  
366, 369; 359/501, 802

(56) **References Cited**

**U.S. PATENT DOCUMENTS**

3,804,522 A \* 4/1974 Smith ..... 356/369

4,239,391 A \* 12/1980 Lessner et al. .... 356/318

D315,164 S \* 3/1991 Ryder ..... D16/130

5,598,298 A \* 1/1997 Whitehead et al. .... 356/364 X

D421,039 S \* 2/2000 Delacoux ..... D16/242

\* cited by examiner

*Primary Examiner*—Paula A. Mortimer

(74) *Attorney, Agent, or Firm*—Banner & Witcoff, Ltd.

(57) **CLAIM**

The ornamental design for a unit for inspecting a surface, as shown and described.

**DESCRIPTION**

FIG. 1 is a front perspective view of a unit for inspecting a surface showing my new design, the cord is drawn broken away for ease of illustration;

FIG. 2 is a front elevational view thereof;

FIG. 3 is a rear elevational view thereof;

FIG. 4 is a top plan view thereof;

FIG. 5 is a bottom plan view thereof;

FIG. 6 is a left side view thereof;

FIG. 7 is a right side view thereof; and,

FIG. 8 is a front perspective with the cover open thereof.

**1 Claim, 6 Drawing Sheets**

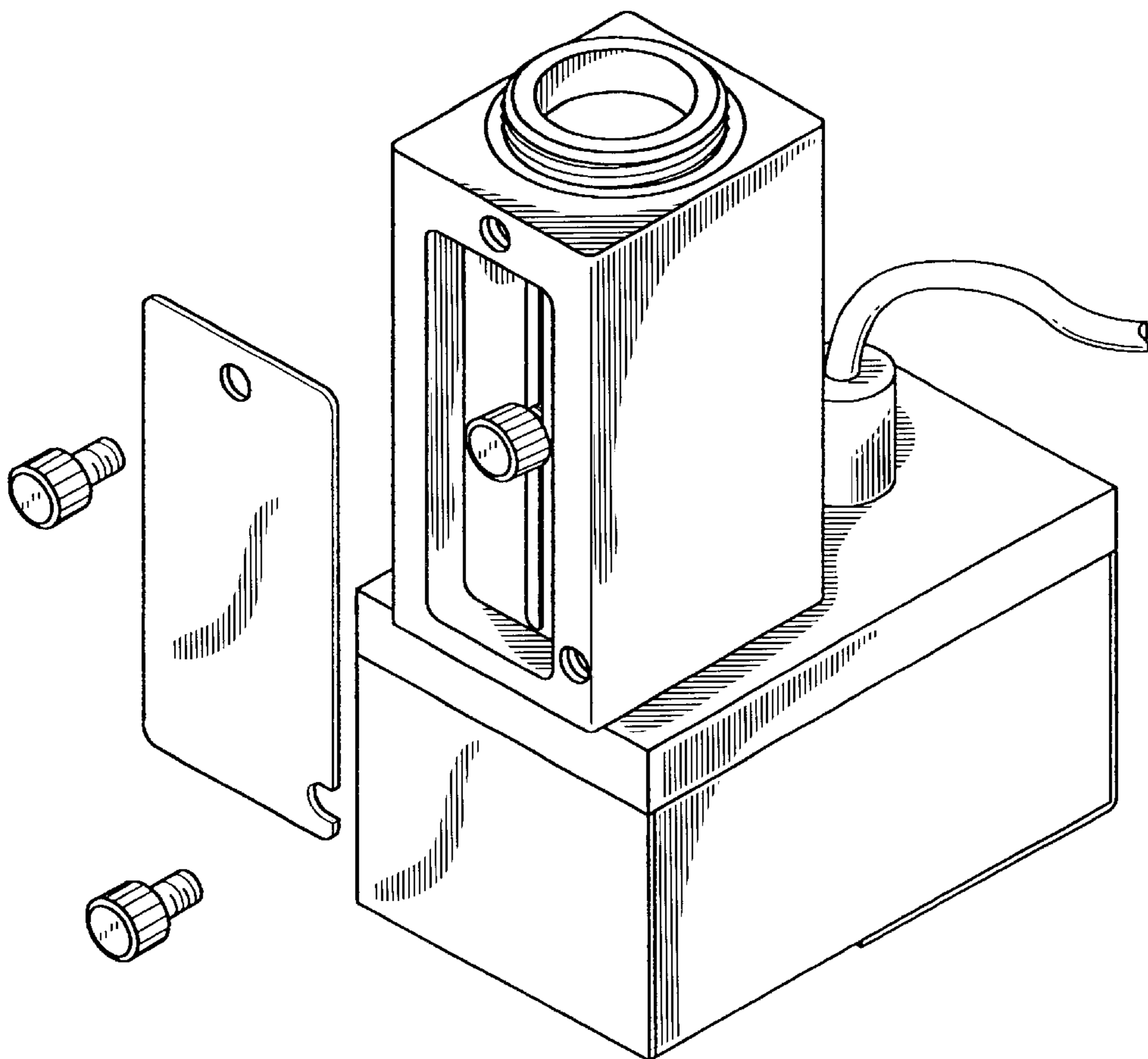


Figure 1

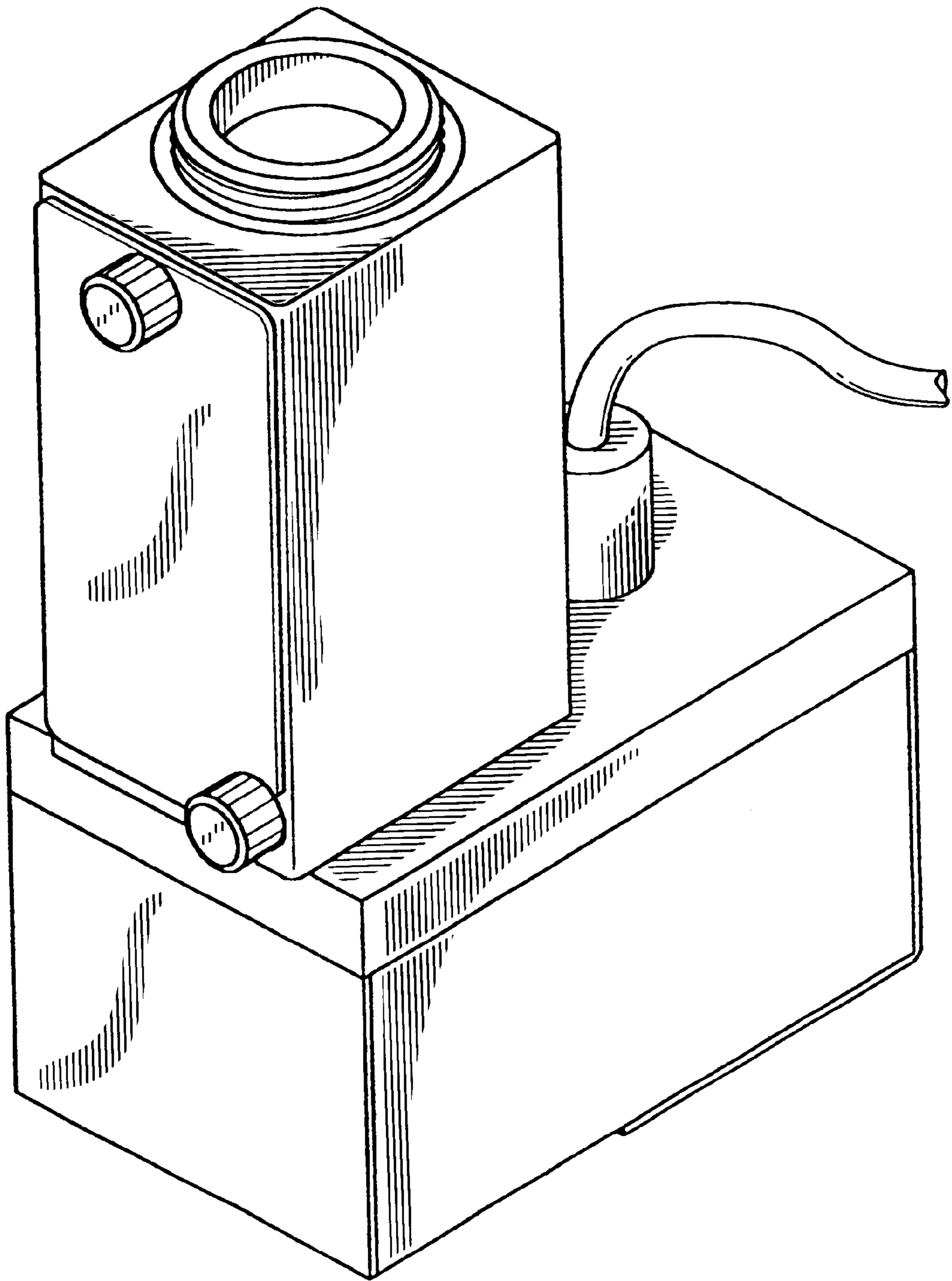


Figure 2

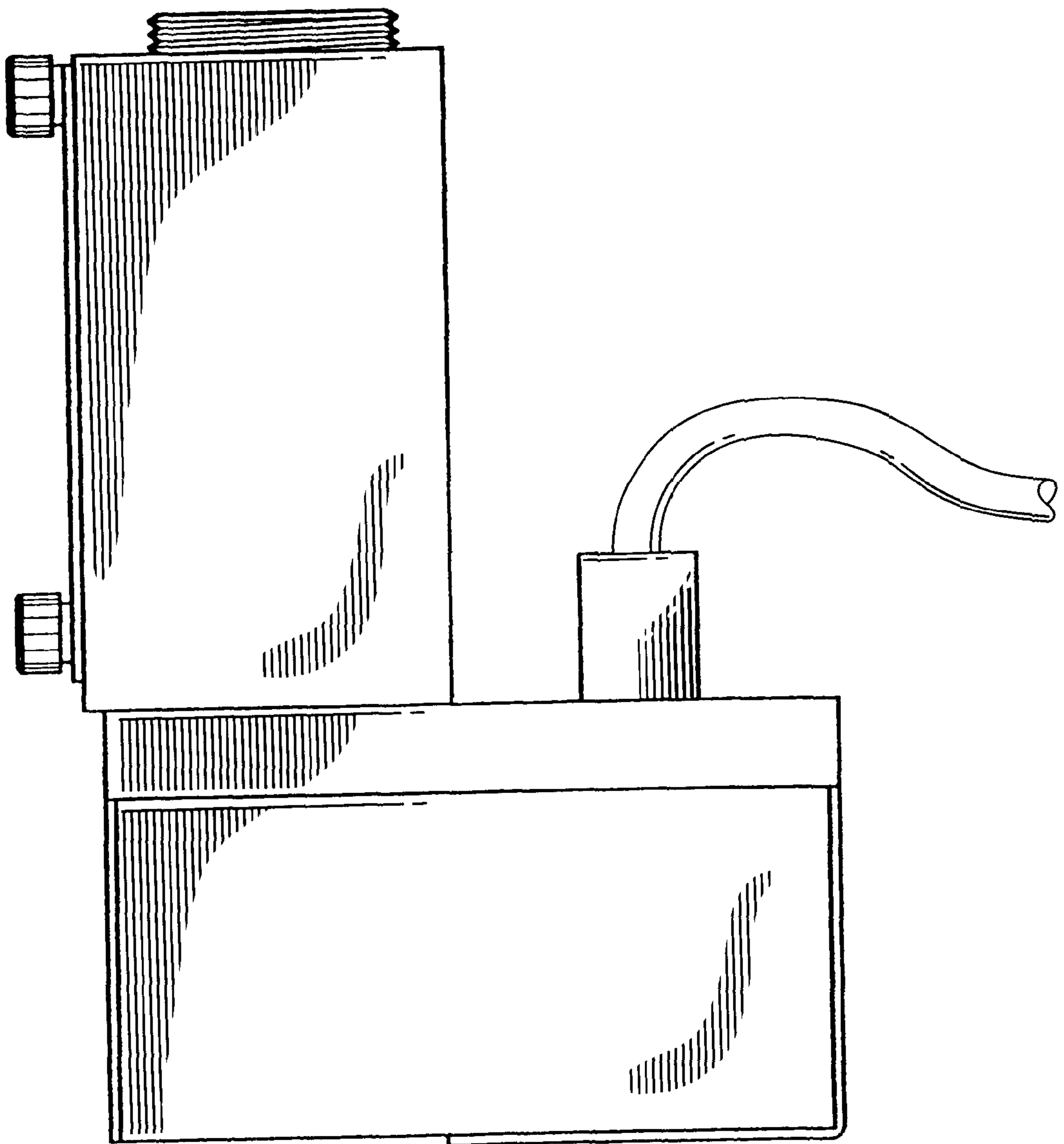


Figure 3

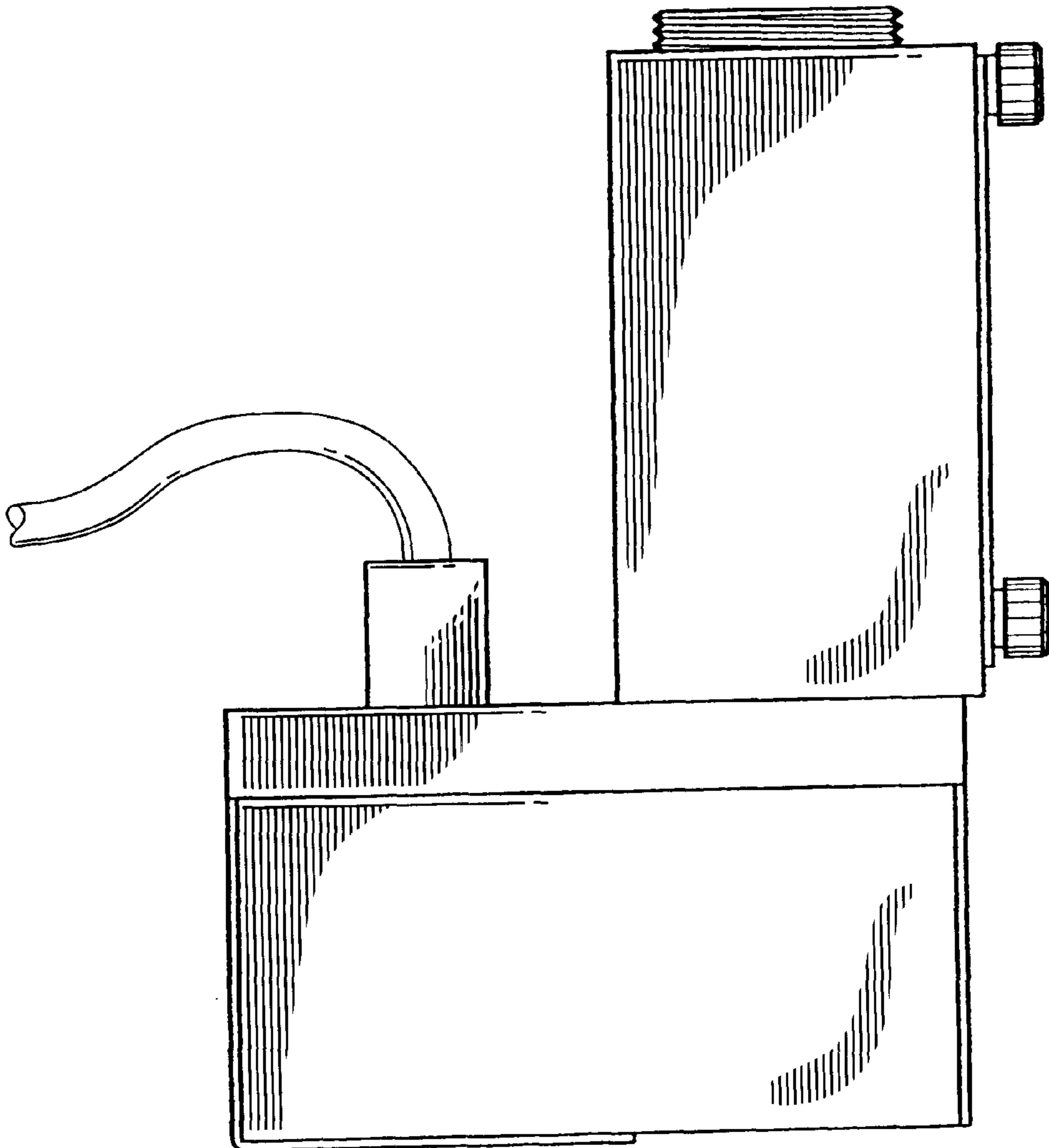


Figure 4

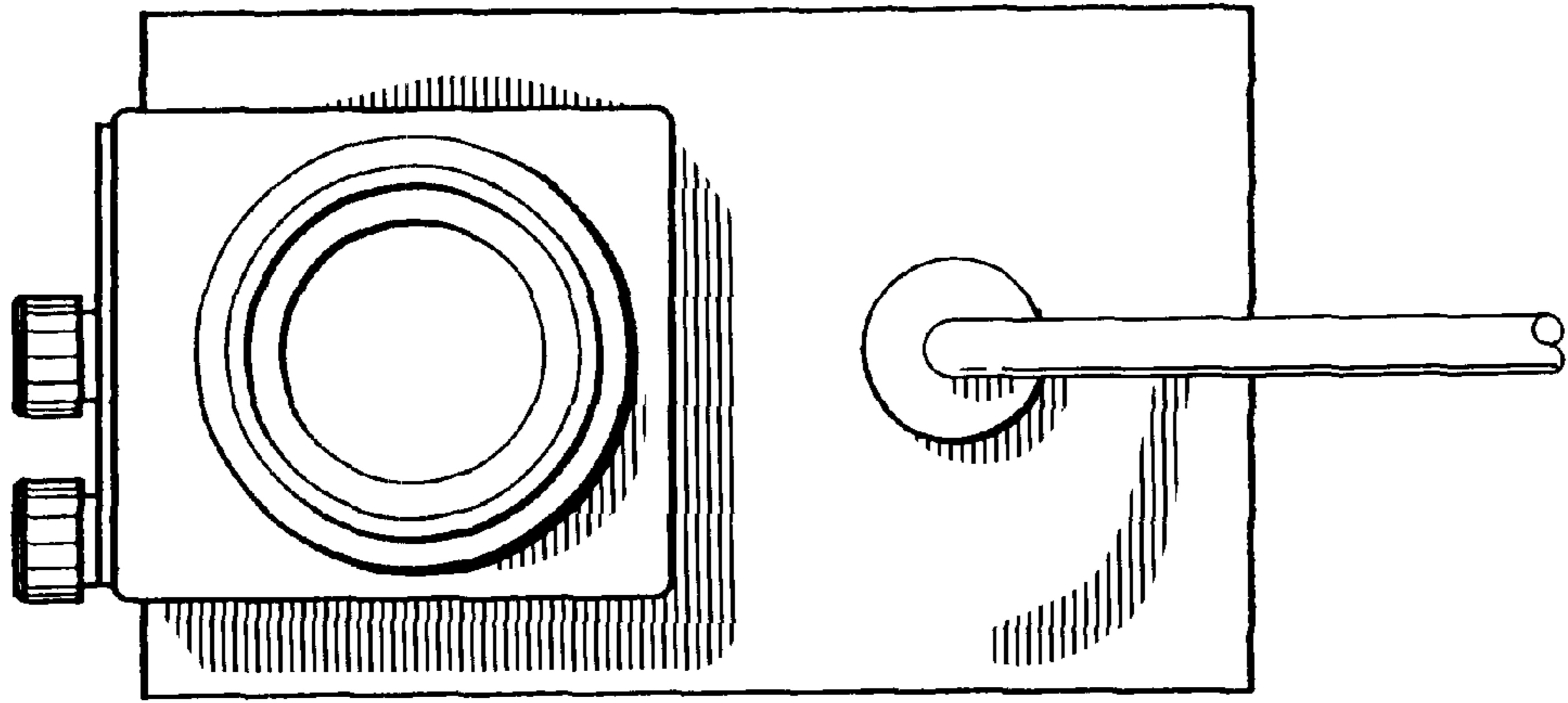


Figure 5

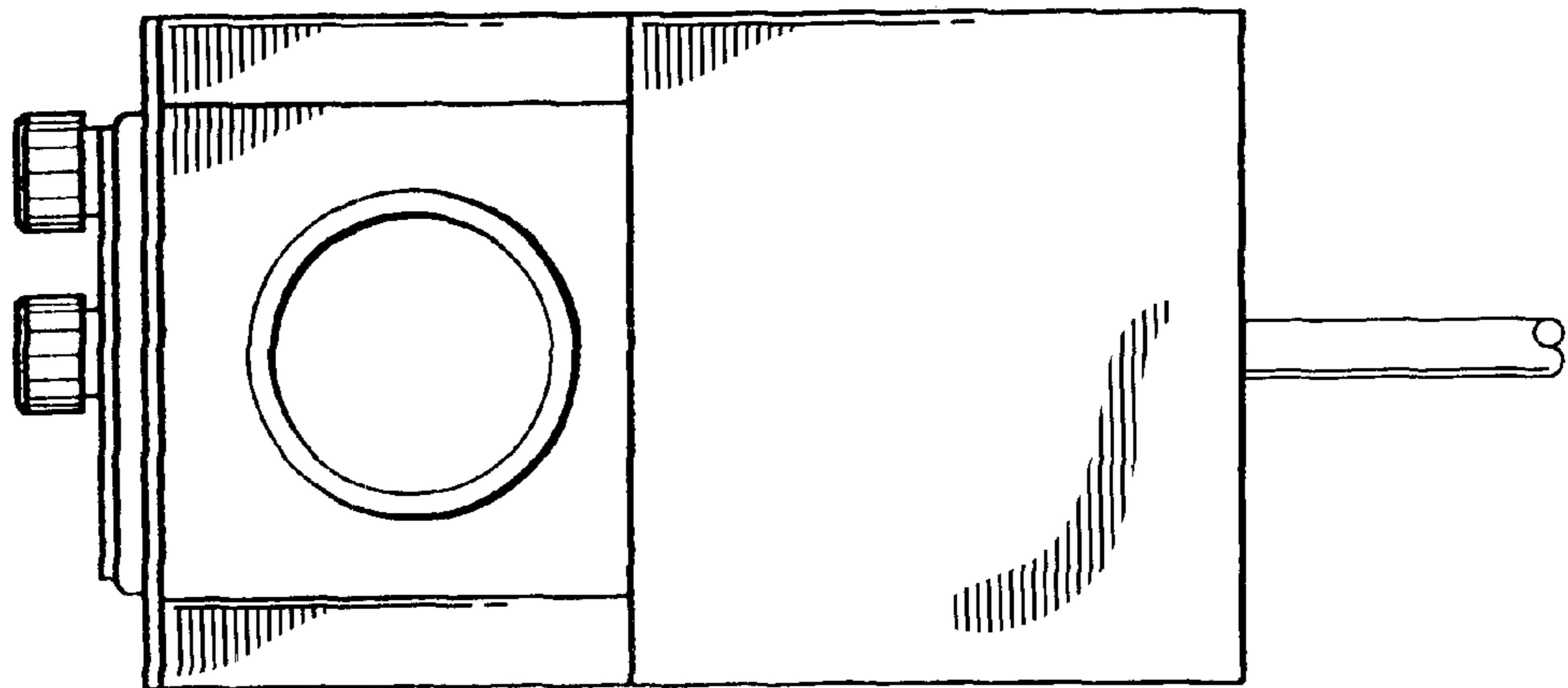


Figure 6

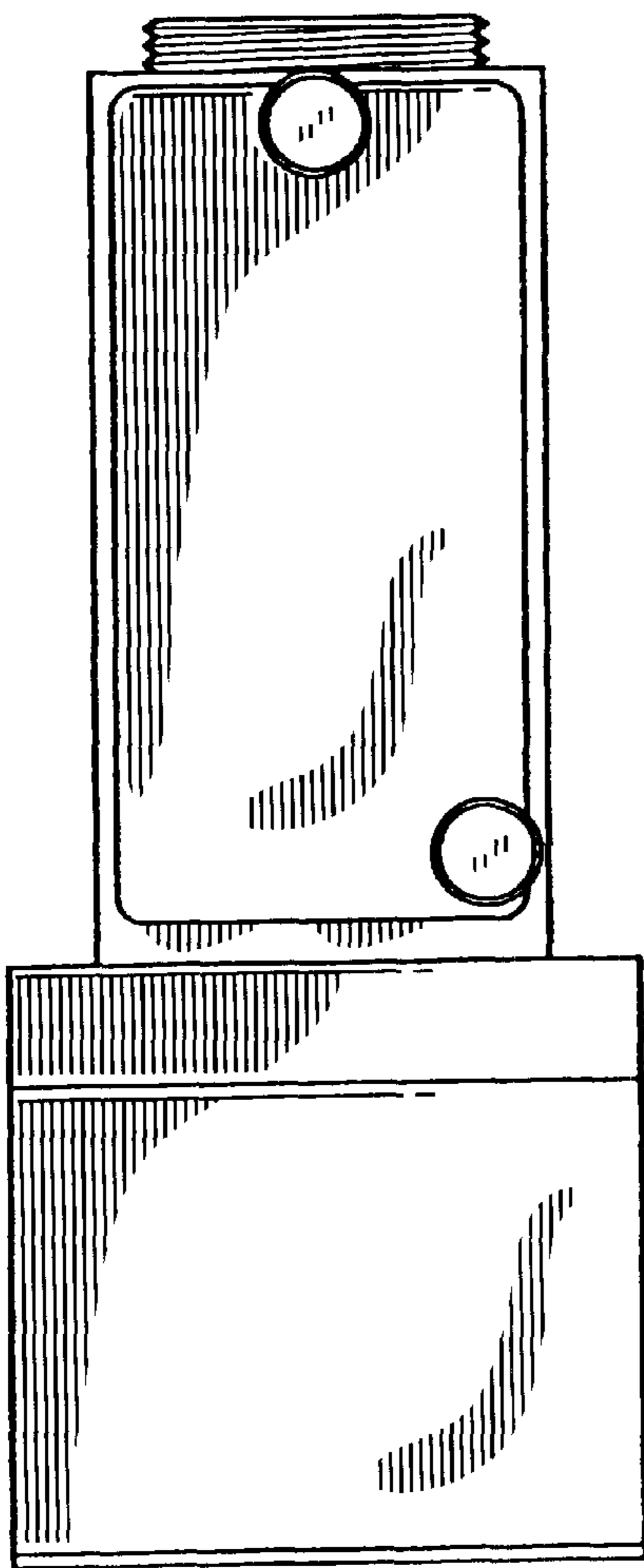


Figure 7

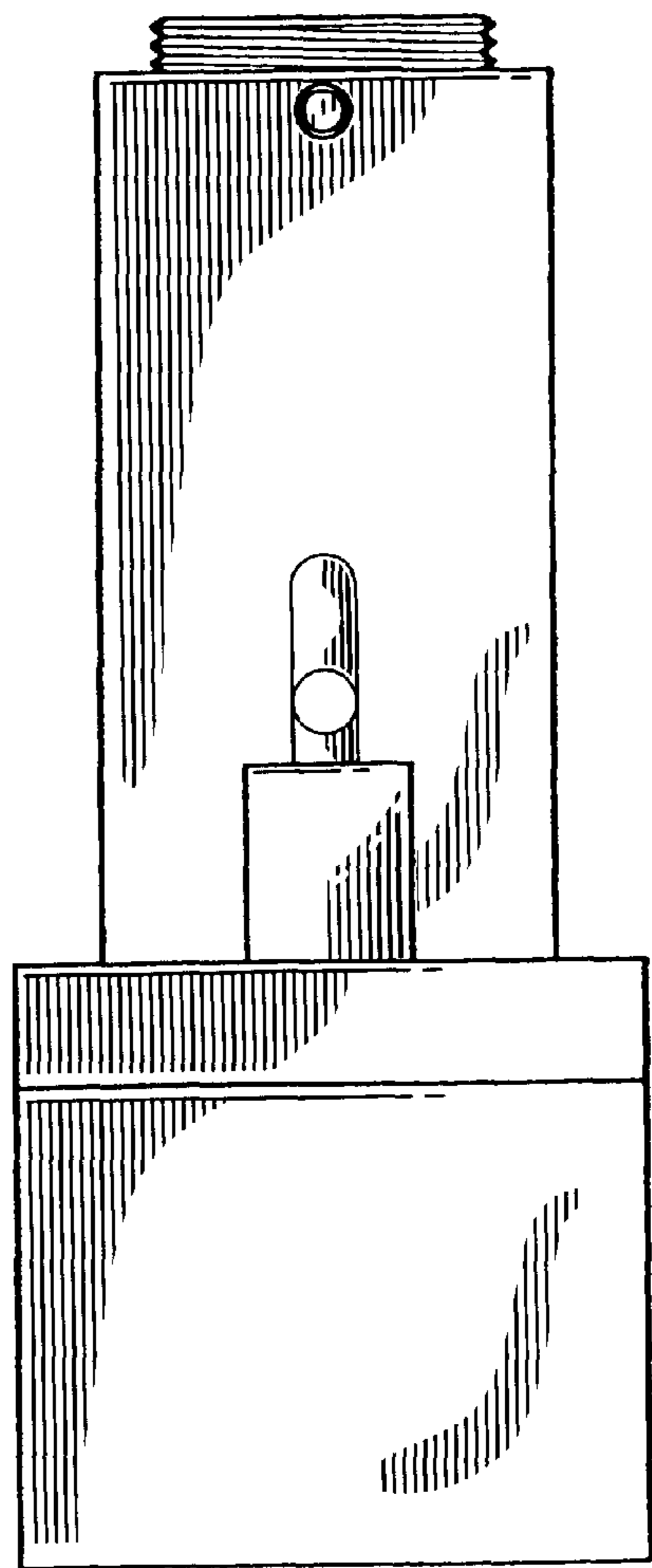




Figure 8

