



US00D460094S

(12) **United States Design Patent**
Mann et al.

(10) **Patent No.:** **US D460,094 S**

(45) **Date of Patent:** **** Jul. 9, 2002**

(54) **SPRAY SHIELD FOR WATERJET SYSTEMS**

(75) Inventors: **Robert J. Mann**, Puyallup, WA (US);
Charles D. Burnham, Southbury, CT (US); **Michael Knaupp**, Zaisenhausen;
Andreas Meyer, Bretten, both of (DE)

(73) Assignee: **Flow International Corporation**, Kent, WA (US)

(**) Term: **14 Years**

(21) Appl. No.: **29/147,337**

(22) Filed: **Aug. 27, 2001**

(51) **LOC (7) Cl.** **15-99**

(52) **U.S. Cl.** **D15/199**

(58) **Field of Search** D15/199; 83/53,
83/170, 171, 177; 239/596-600, DIG. 19;
451/38-41, 91, 76, 102

(56) **References Cited**

U.S. PATENT DOCUMENTS

5,848,753 A * 12/1998 Wands et al. 239/596

* cited by examiner

Primary Examiner—Antoine Duval Davis

(74) *Attorney, Agent, or Firm*—Seed Intellectual Property Law Group PLLC

(57) **CLAIM**

The ornamental design for a spray shield for waterjet systems, as shown and described.

DESCRIPTION

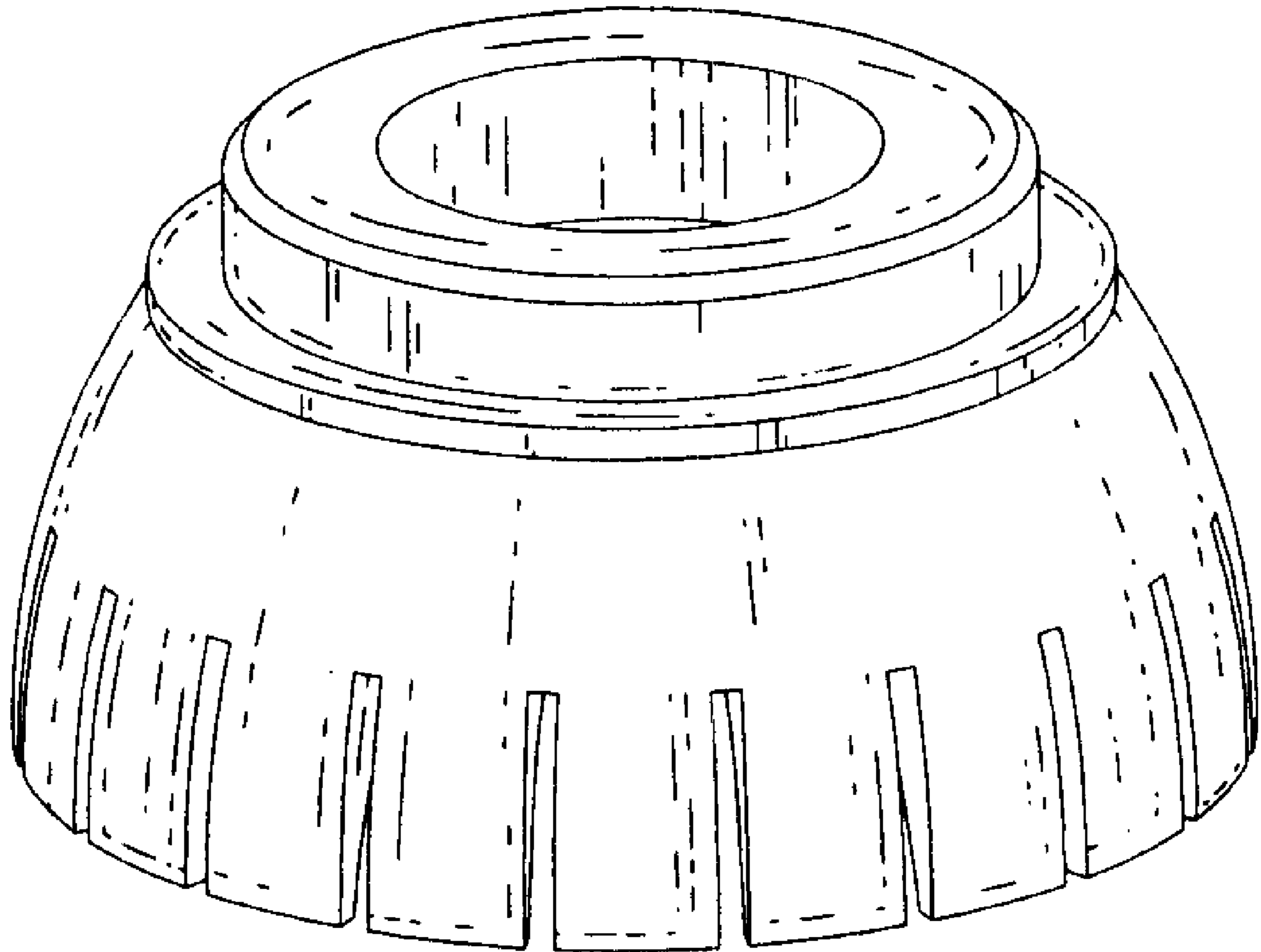
FIG. 1 is a front perspective view of a spray shield for waterjet systems showing our new design.

FIG. 2 is a top plan view thereof.

FIG. 3 is a side elevational view thereof, all other side, front, and rear elevational views being identical; and,

FIG. 4 is a bottom plan view thereof.

1 Claim, 2 Drawing Sheets



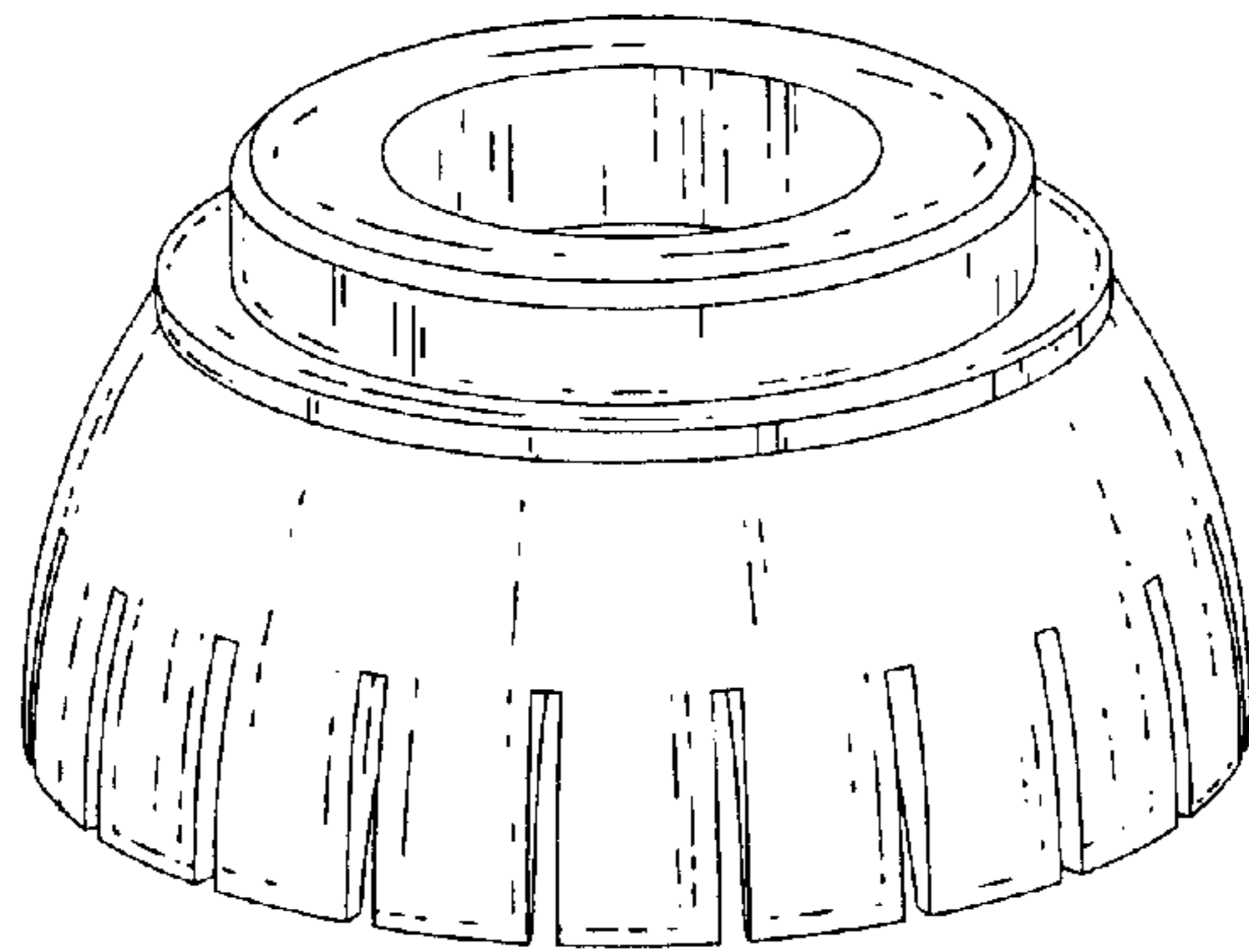


Fig. 1

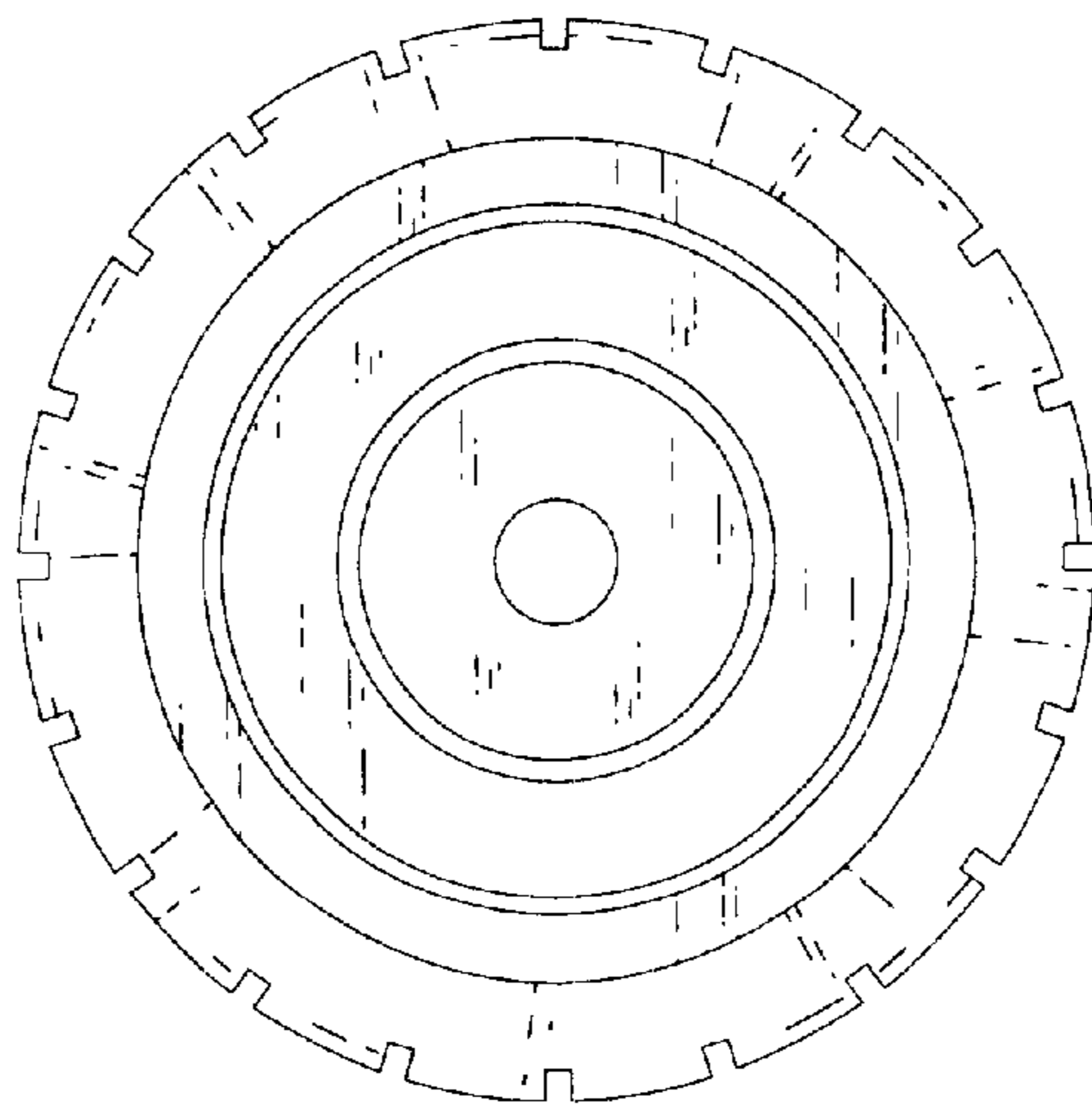


Fig. 2

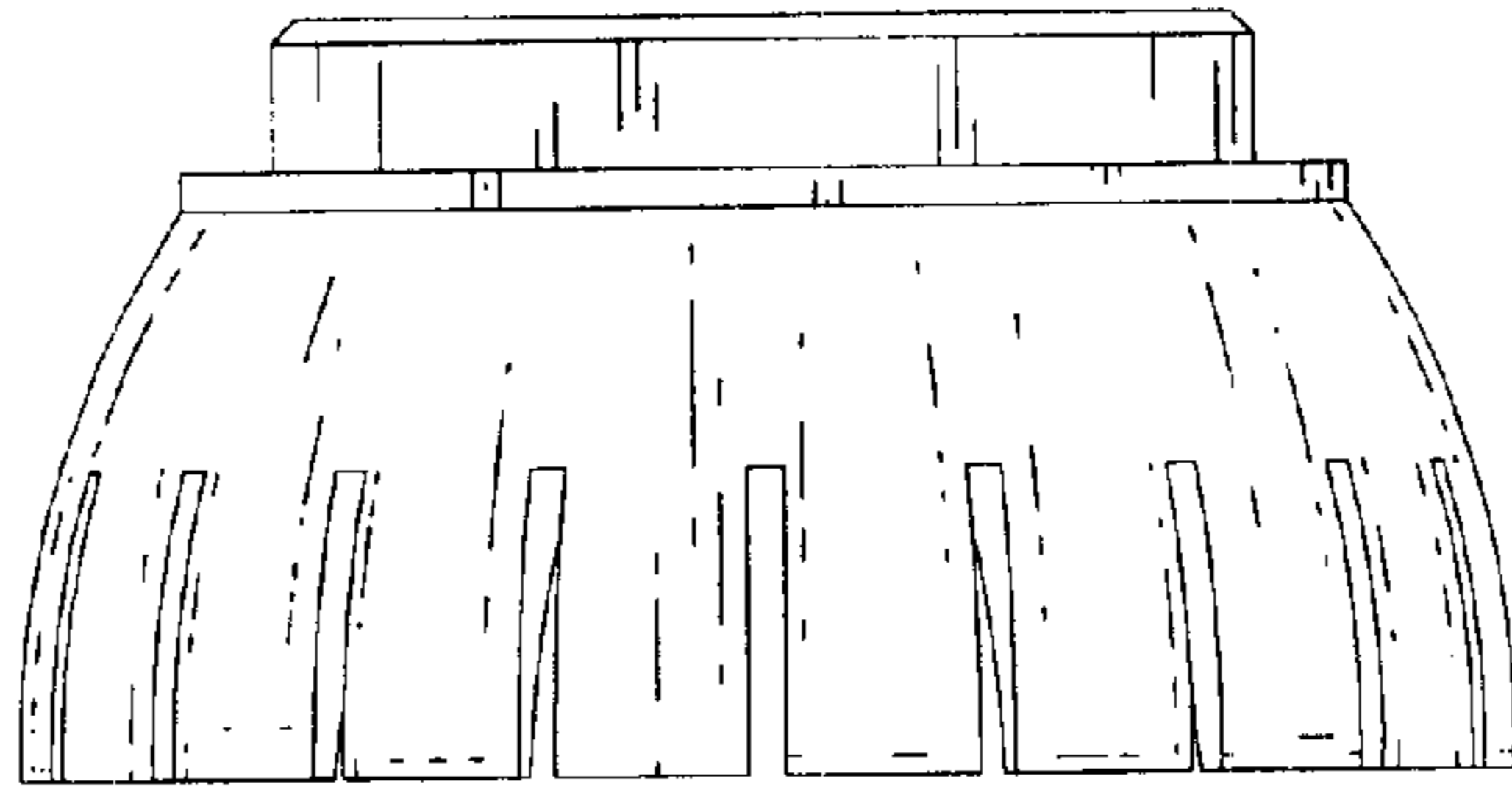


Fig. 3

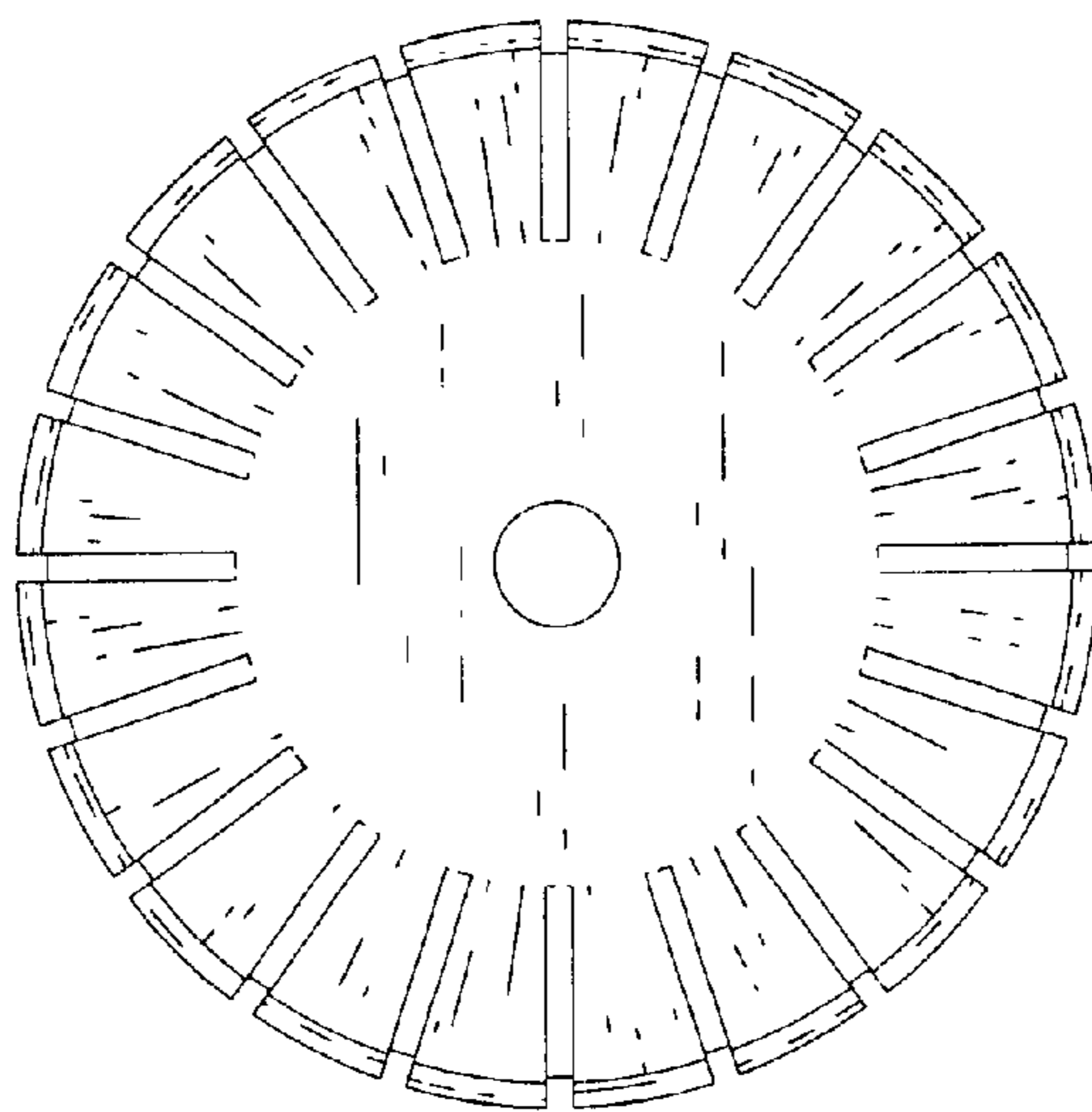


Fig. 4