



US00D460091S

(12) **United States Design Patent**  
Mizuno et al.

(10) **Patent No.:** **US D460,091 S**

(45) **Date of Patent:** **\*\* Jul. 9, 2002**

(54) **CONTAINER FOR MOLTEN METALS**

5,916,473 A \* 6/1999 Kerin ..... 222/601  
D422,609 S \* 4/2000 Fong et al. .... D15/144.1

(75) Inventors: **Hitoshi Mizuno; Toru Kodama;**  
**Tsuyoshi Abe**, all of Toyota (JP)

\* cited by examiner

(73) Assignee: **Hoei Shokai Co., Ltd.** (JP)

*Primary Examiner*—Antoine Duval Davis  
(74) *Attorney, Agent, or Firm*—Knoble & Yoshida, LLC

(\*\*) Term: **14 Years**

(57) **CLAIM**

(21) Appl. No.: **29/146,534**

The ornamental design for a container for molten metals, as shown and described.

(22) Filed: **Aug. 10, 2001**

(30) **Foreign Application Priority Data**

**DESCRIPTION**

Feb. 13, 2001 (JP) ..... 2001-003118

FIG. 1 is a perspective view showing our new design;

(51) **LOC (7) Cl.** ..... **15-09**

FIG. 2 is a right first side elevational view;

(52) **U.S. Cl.** ..... **D15/144.1**

FIG. 3 is a left second side elevational view;

(58) **Field of Search** ..... D15/144, 144.1,  
D15/144.2; 222/591, 597, 598, 601; 266/236,  
275, 286, 45, 230, 265, 218, 224

FIG. 4 is a front elevational view;

FIG. 5 is a rear elevational view;

FIG. 6 is a top plan view; and,

FIG. 7 is a bottom plan view.

(56) **References Cited**

Any broken lines denote probable environmental structure and are not part of the claimed design.

**U.S. PATENT DOCUMENTS**

5,573,724 A \* 11/1996 Soofi et al. .... 266/265

**1 Claim, 4 Drawing Sheets**

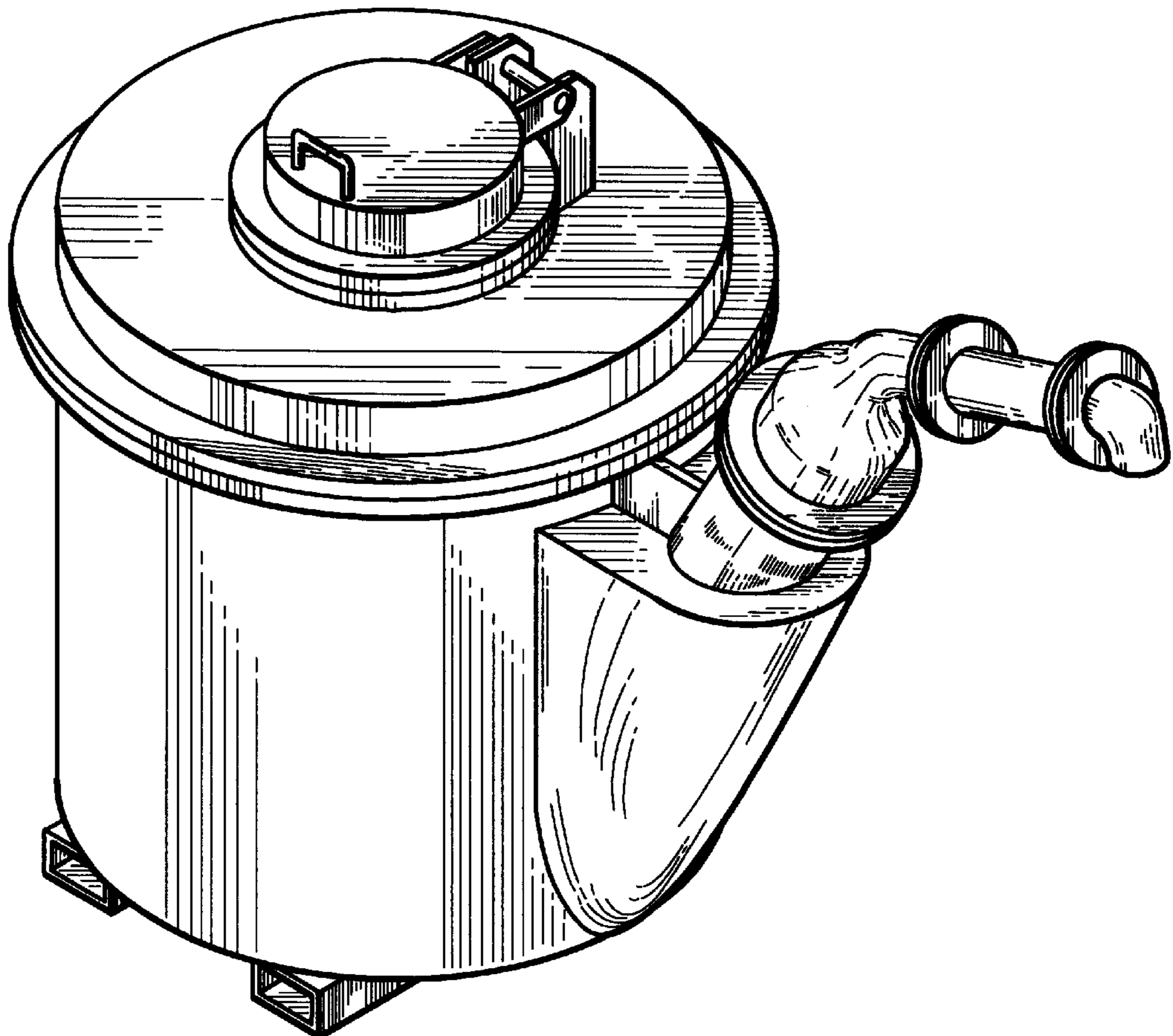


FIG. 1

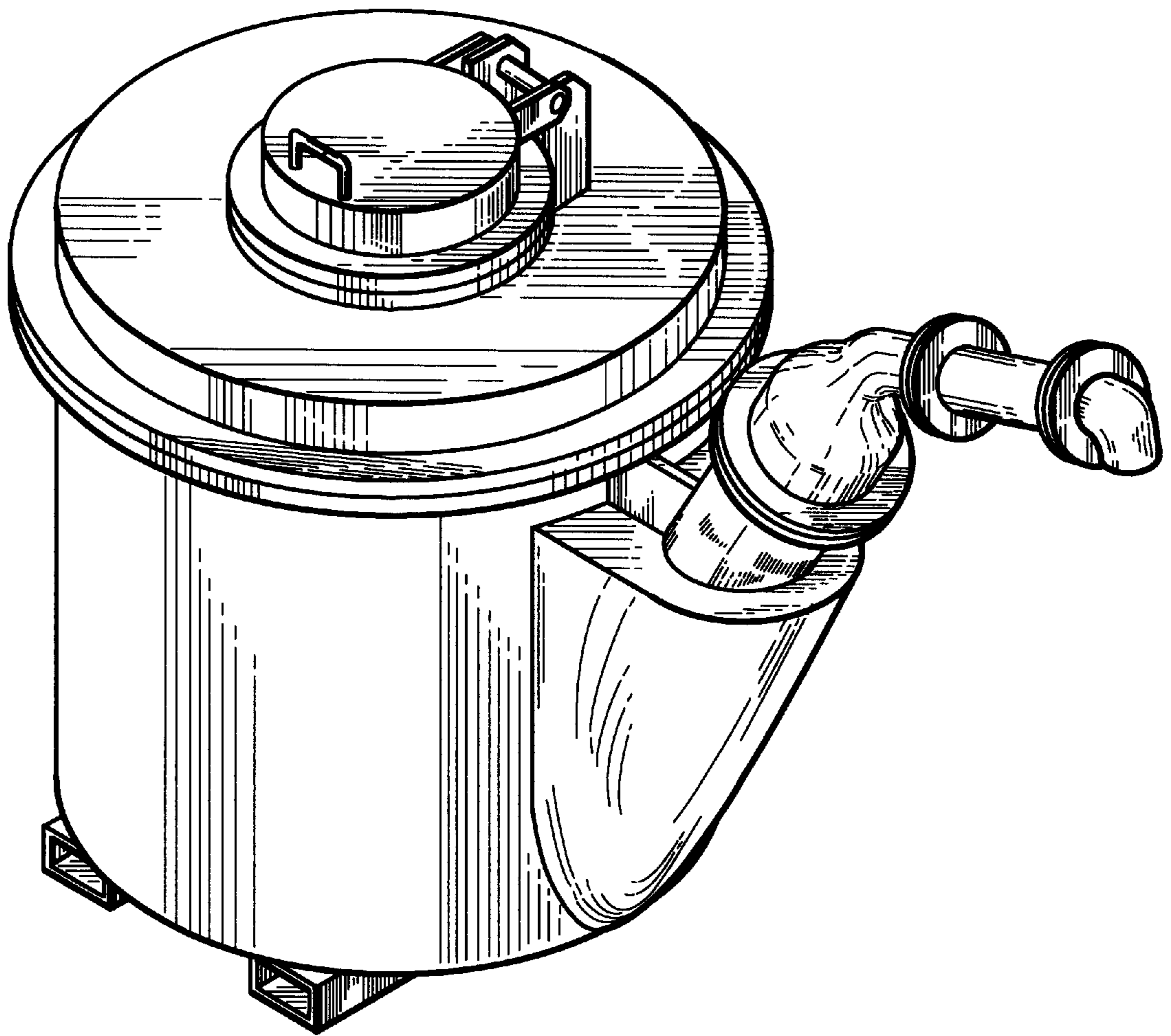


FIG. 2

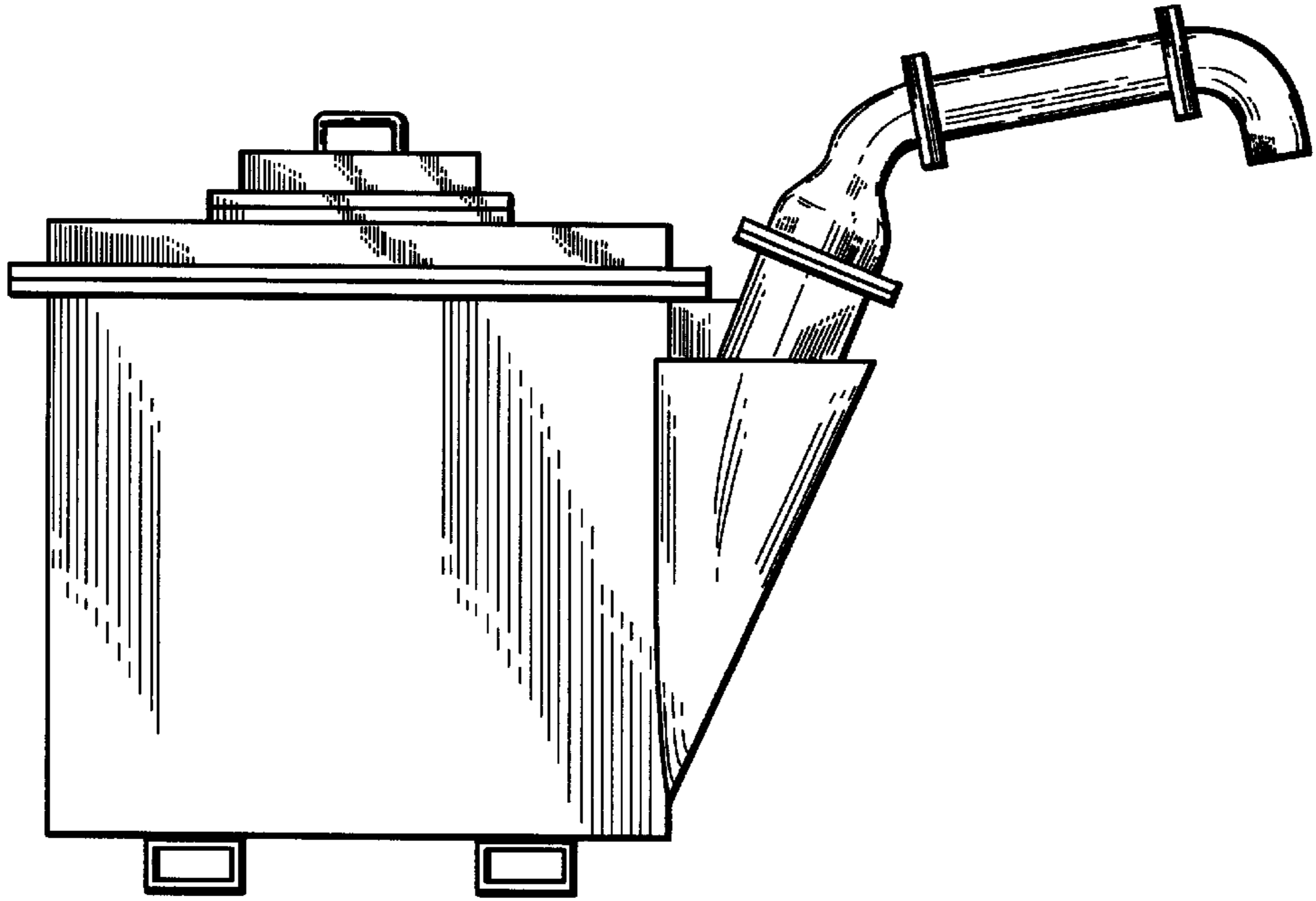


FIG. 3

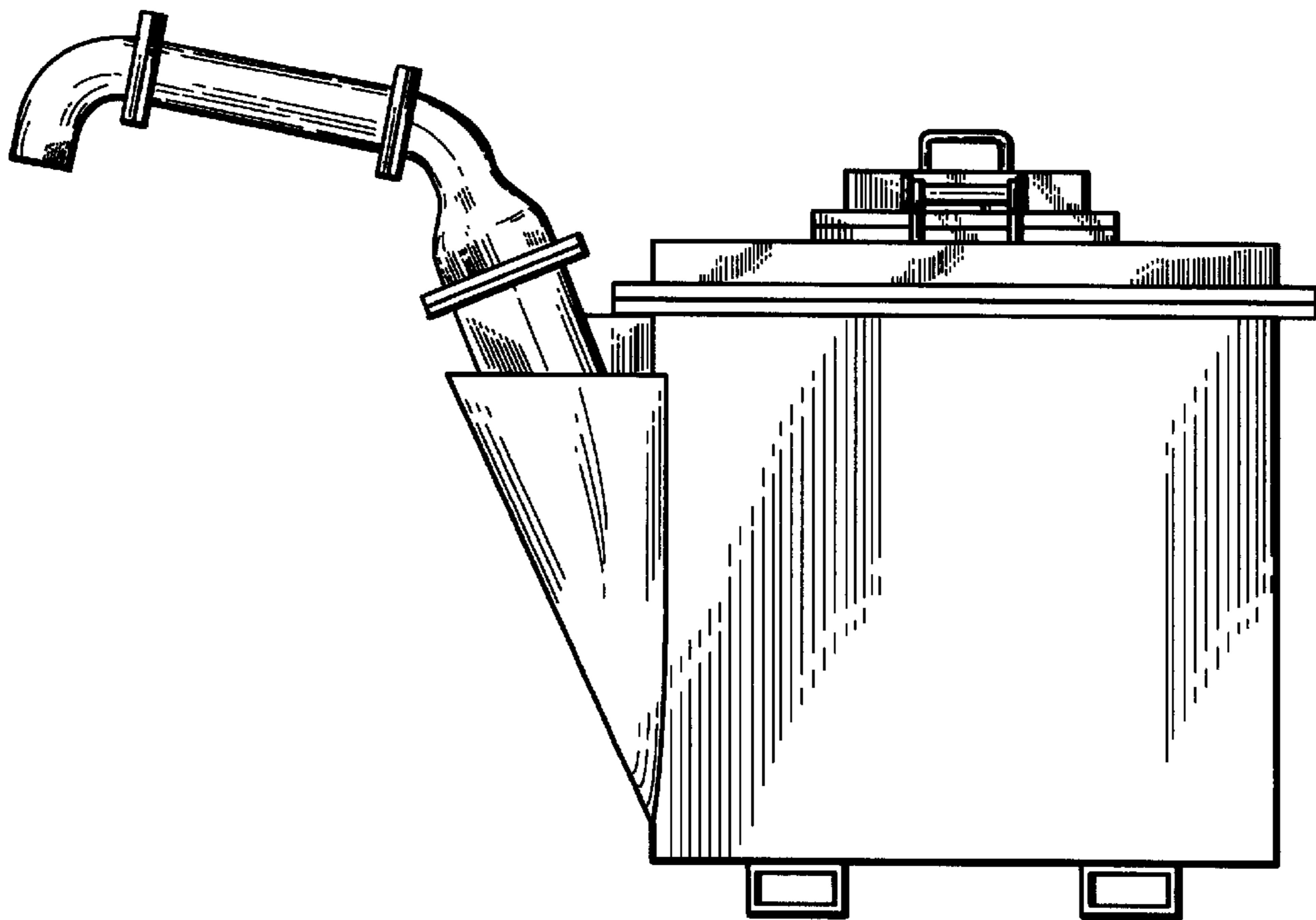


FIG. 4

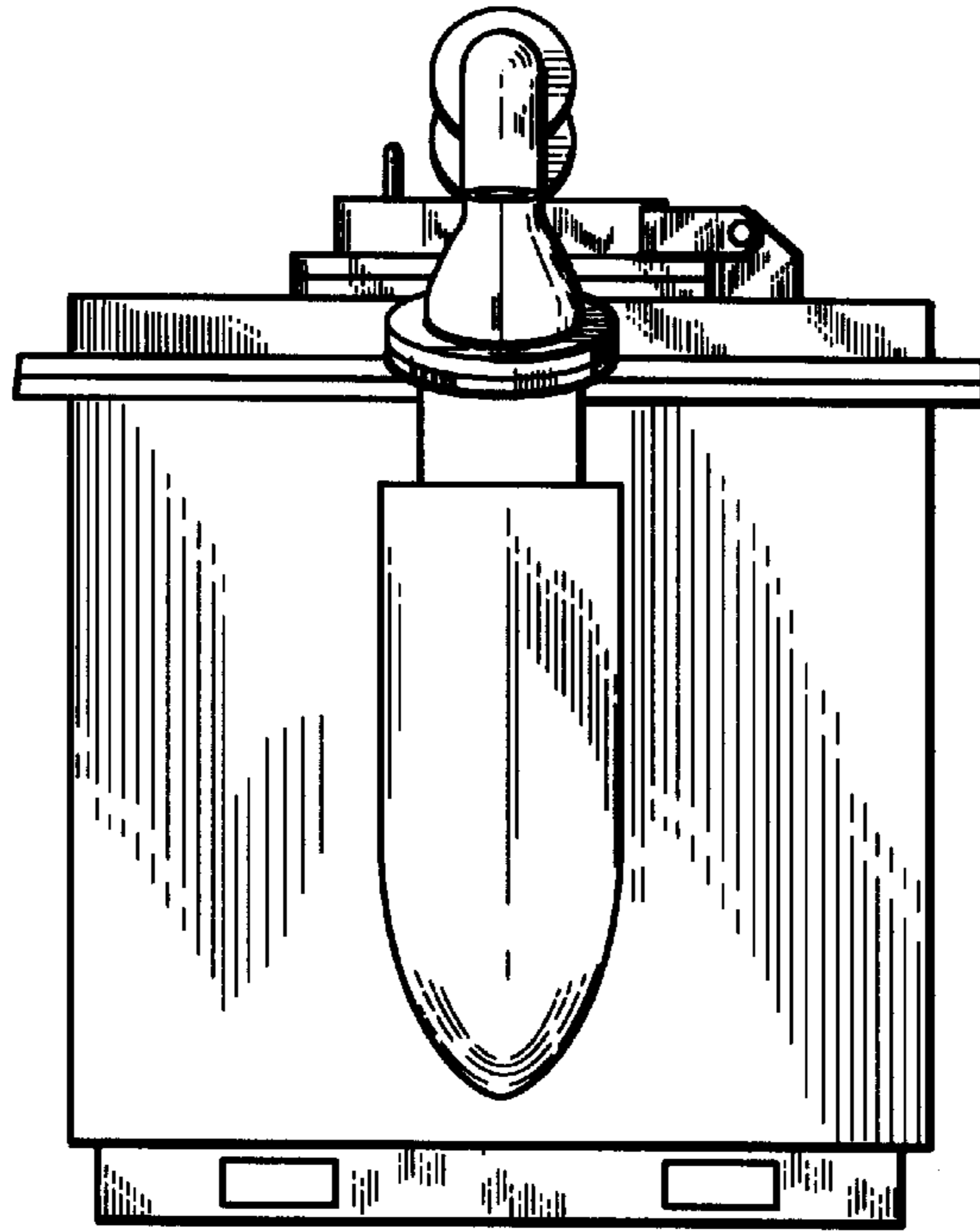


FIG. 5

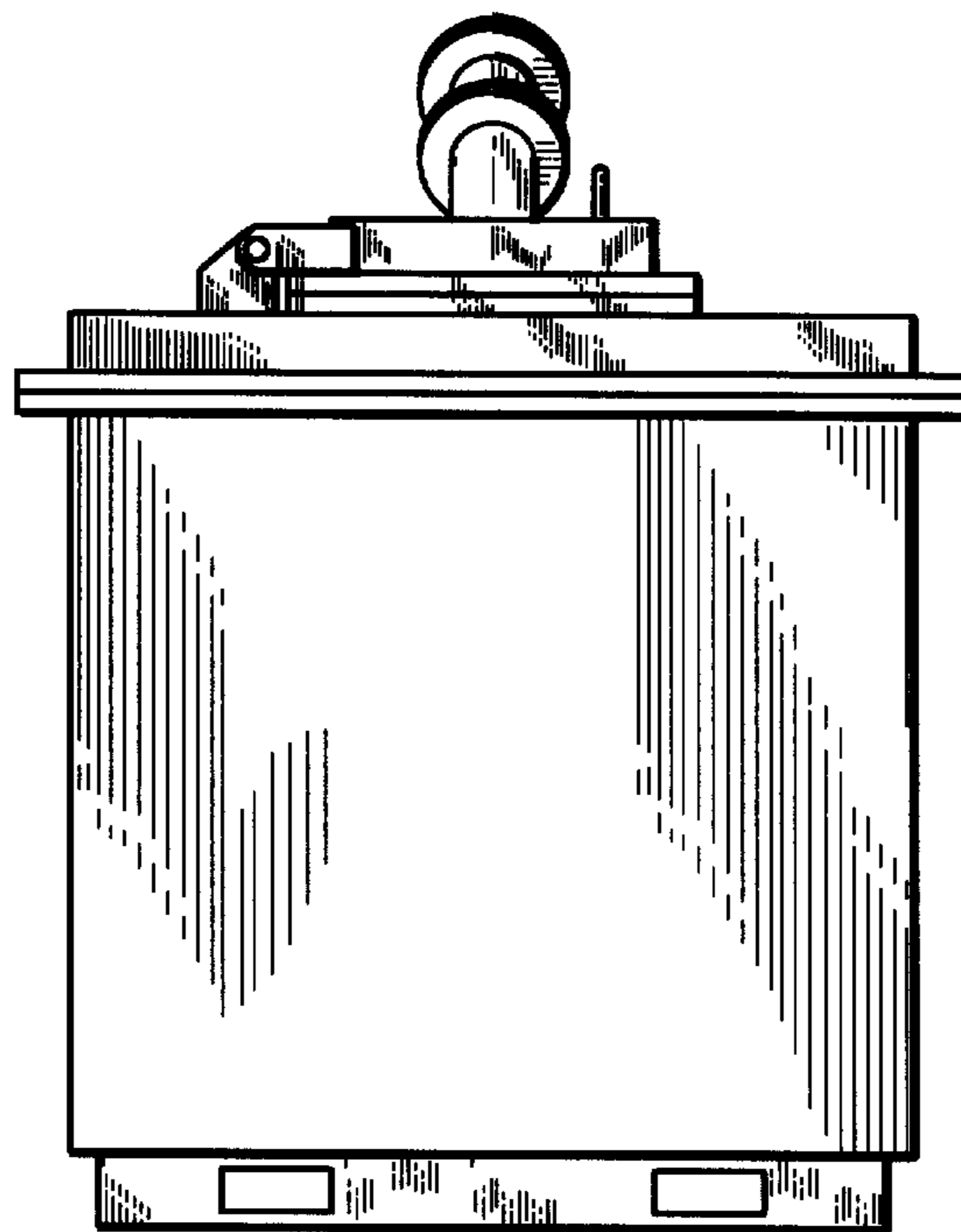


FIG. 6

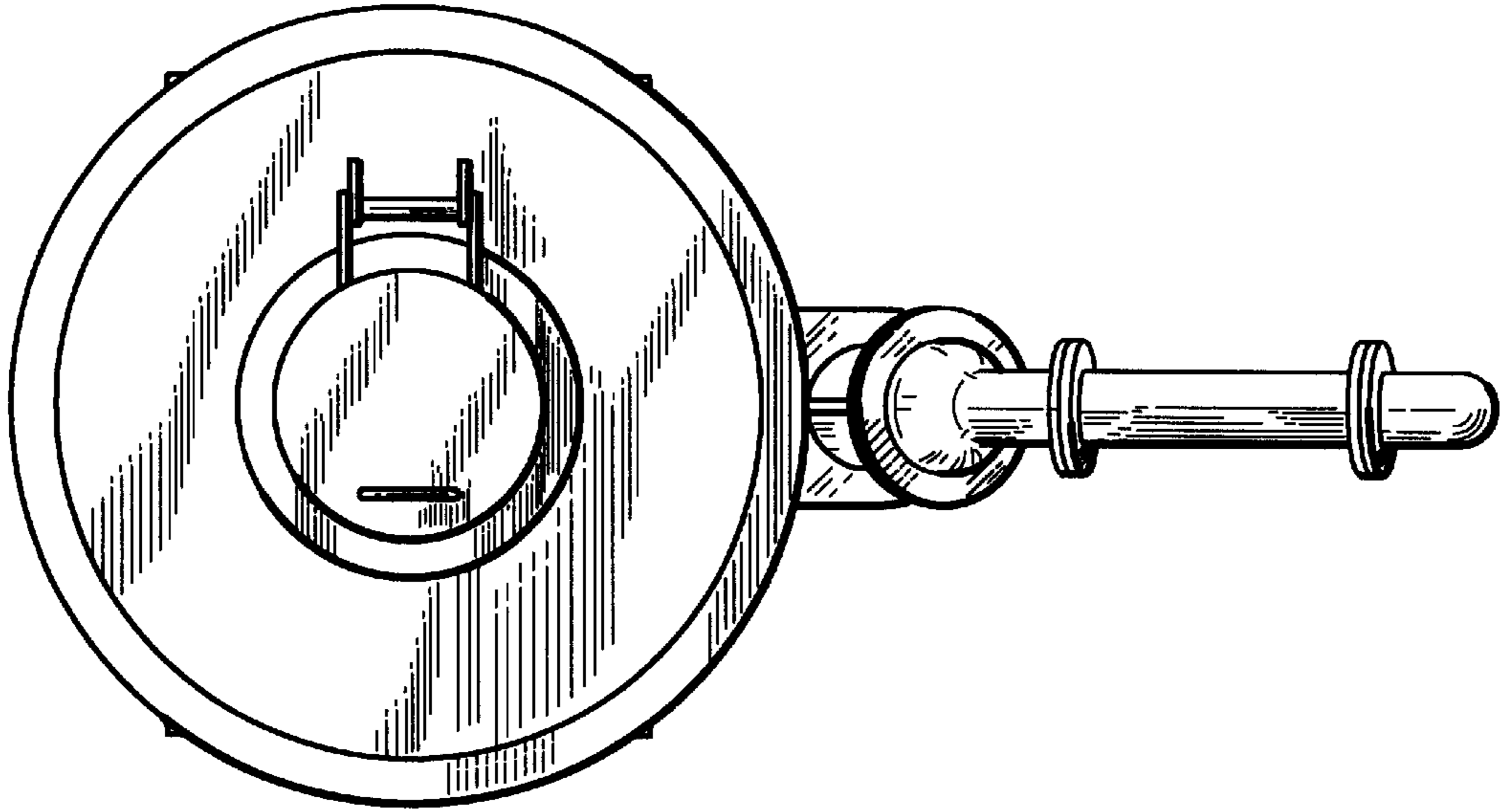


FIG. 7

