



US00D460089S

(12) **United States Design Patent**
Garcia et al.

(10) **Patent No.:** **US D460,089 S**
(45) **Date of Patent:** **** Jul. 9, 2002**

(54) **PLANER**

(75) Inventors: **Jaime E. Garcia; Darwin T. Keith-Lucas; Vance E. Roe; Jeffrey D. Weston**, all of Jackson, TN (US)

(73) Assignee: **Delta International Machinery Corp.**, Jackson, TN (US)

(**) Term: **14 Years**

(21) Appl. No.: **29/145,823**

(22) Filed: **Jul. 30, 2001**

(51) **LOC (7) Cl.** **15-09**

(52) **U.S. Cl.** **D15/124**

(58) **Field of Search** D15/124; 144/177.1-177.4, 144/131; 451/296-301, 455

(56) **References Cited**

U.S. PATENT DOCUMENTS

2,577,975 A	12/1951	Moore
2,624,382 A	1/1953	Moore
2,859,780 A	11/1958	Carlson
2,873,776 A	2/1959	Buttke
3,718,168 A	2/1973	Berends
4,031,934 A	6/1977	Stadler
4,335,768 A	6/1982	Bachmann
4,360,048 A	11/1982	Schädlich et al.
4,363,343 A	12/1982	Cuneo
4,382,729 A	5/1983	Bachmann
4,403,130 A	9/1983	Baker
4,435,904 A	3/1984	Logan et al.
4,436,126 A	3/1984	Lawson
4,436,462 A	3/1984	Martinez
4,485,859 A	12/1984	Krogstad et al.
4,561,186 A	12/1985	Keefe
4,604,025 A	8/1986	Hammoud
4,842,029 A	6/1989	De Abreu
4,932,449 A	6/1990	Omoto
5,143,128 A	9/1992	Chen
5,495,784 A	3/1996	Chen
D387,070 S	12/1997	Welsh
5,725,035 A	3/1998	Shadeck
D394,070 S	* 5/1998	Garcia et al. D15/124

5,771,949 A	6/1998	Welsh et al.
D397,122 S	8/1998	Welsh
5,794,675 A	8/1998	Garcia
5,795,113 A	8/1998	Wixey et al.
5,815,934 A	10/1998	Eichberger et al.
5,816,303 A	10/1998	Shadeck
5,829,498 A	11/1998	Liao

(List continued on next page.)

OTHER PUBLICATIONS

Grizzly Industrial, Inc. 12" Portable Planer, Model G1017 Instruction Manual, Copyright 1991, Revised Apr., 1999.
Delta Instruction Manual, 24" Planer (Model 22-470, Three Phase), Jun. 28, 1999.
Delta Instruction Manual, DC-380 15" Planer (Model 22-680, Single Phase) (Model 22-681, Three Phase), Sep. 15, 1999.

Primary Examiner—Antoine Duval Davis
(74) *Attorney, Agent, or Firm*—Kirkpatrick & Lockhart LLP

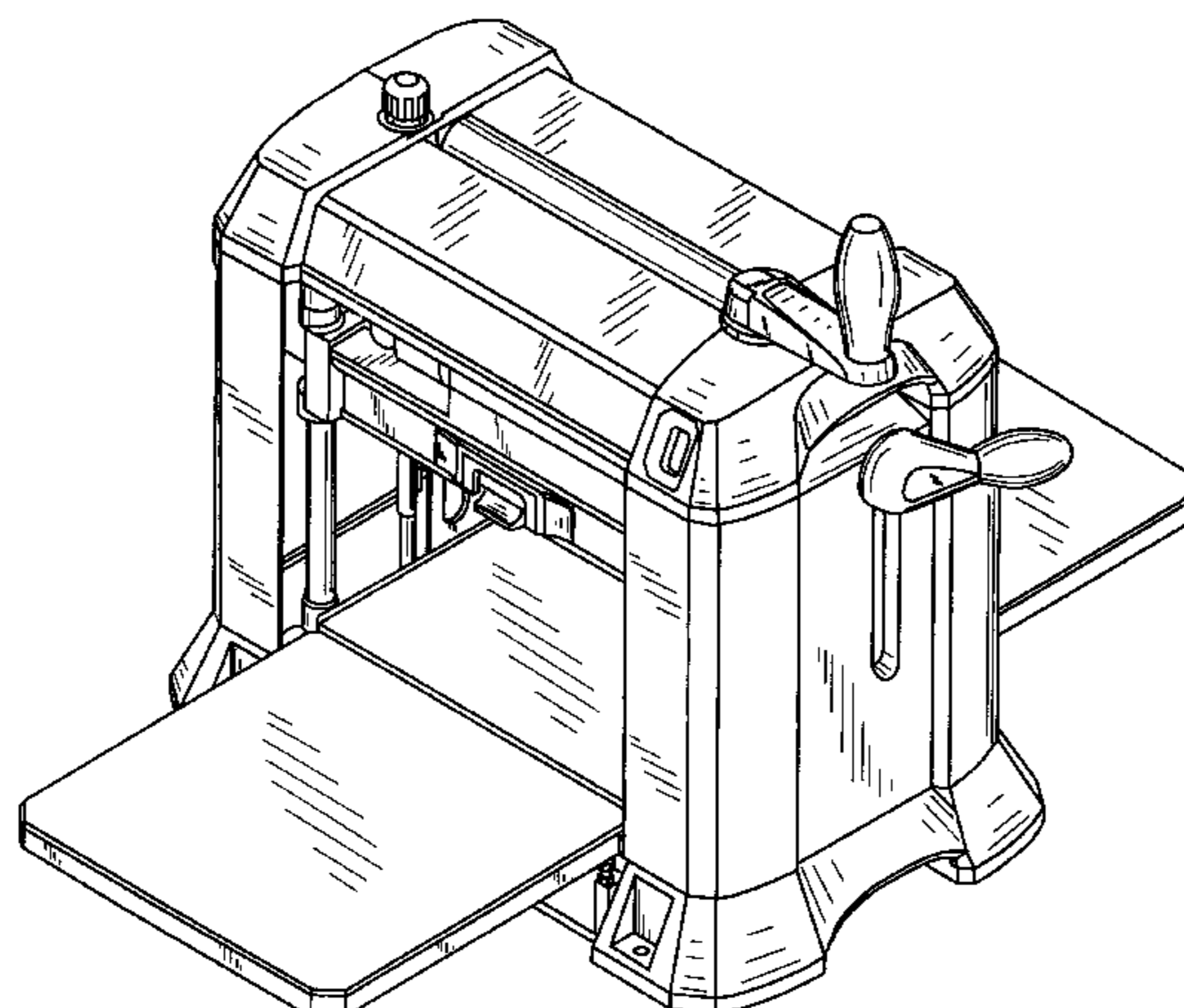
(57) **CLAIM**

The ornamental design for a planer, as shown and described.

DESCRIPTION

FIG. 1 is a front and right side isometric view of a first embodiment of a planer showing our new design;
FIG. 2 is a front view of the design of FIG. 1;
FIG. 3 is a rear view of the design of FIG. 1;
FIG. 4 is a top view of the of the design of FIG. 1;
FIG. 5 is a bottom view of the of the design of FIG. 1;
FIG. 6 is a right side view of the of the design of FIG. 1;
FIG. 7 is a left side view of the of the design of FIG. 1;
FIG. 8 is a rear and right side isometric view of a second embodiment of a planer showing our new design and shown with a dust chute attached;
FIG. 9 is a rear view of the design of FIG. 8;
FIG. 10 is a top view of the design of FIG. 8;
FIG. 11 is a bottom view of the design of FIG. 8;
FIG. 12 is a right side view of the design of FIG. 8; and,
FIG. 13 is a left side view of the design of FIG. 8.

1 Claim, 13 Drawing Sheets



US D460,089 S

Page 2

U.S. PATENT DOCUMENTS

5,829,499 A	11/1998	Liao	6,089,287 A	7/2000	Welsh et al.	
5,904,192 A	5/1999	Chen	6,092,571 A	7/2000	Liao	
D411,548 S	6/1999	Welsh	D430,175 S	*	8/2000	Hayakawa et al. D15/124
5,927,357 A	7/1999	Welsh et al.	6,123,125 A	9/2000	Liao	
5,957,173 A	9/1999	Garcia	6,141,147 A	10/2000	Wixey et al.	
5,967,205 A	10/1999	Welsh et al.	6,148,879 A	11/2000	Liao	
6,058,987 A	5/2000	Liao	D442,976 S	*	5/2001	Chin-Feng D15/124
6,076,573 A	6/2000	Welsh et al.	D444,481 S	7/2001	Hoshino	
6,089,286 A	7/2000	Liao	D444,482 S	7/2001	Welsh	

* cited by examiner

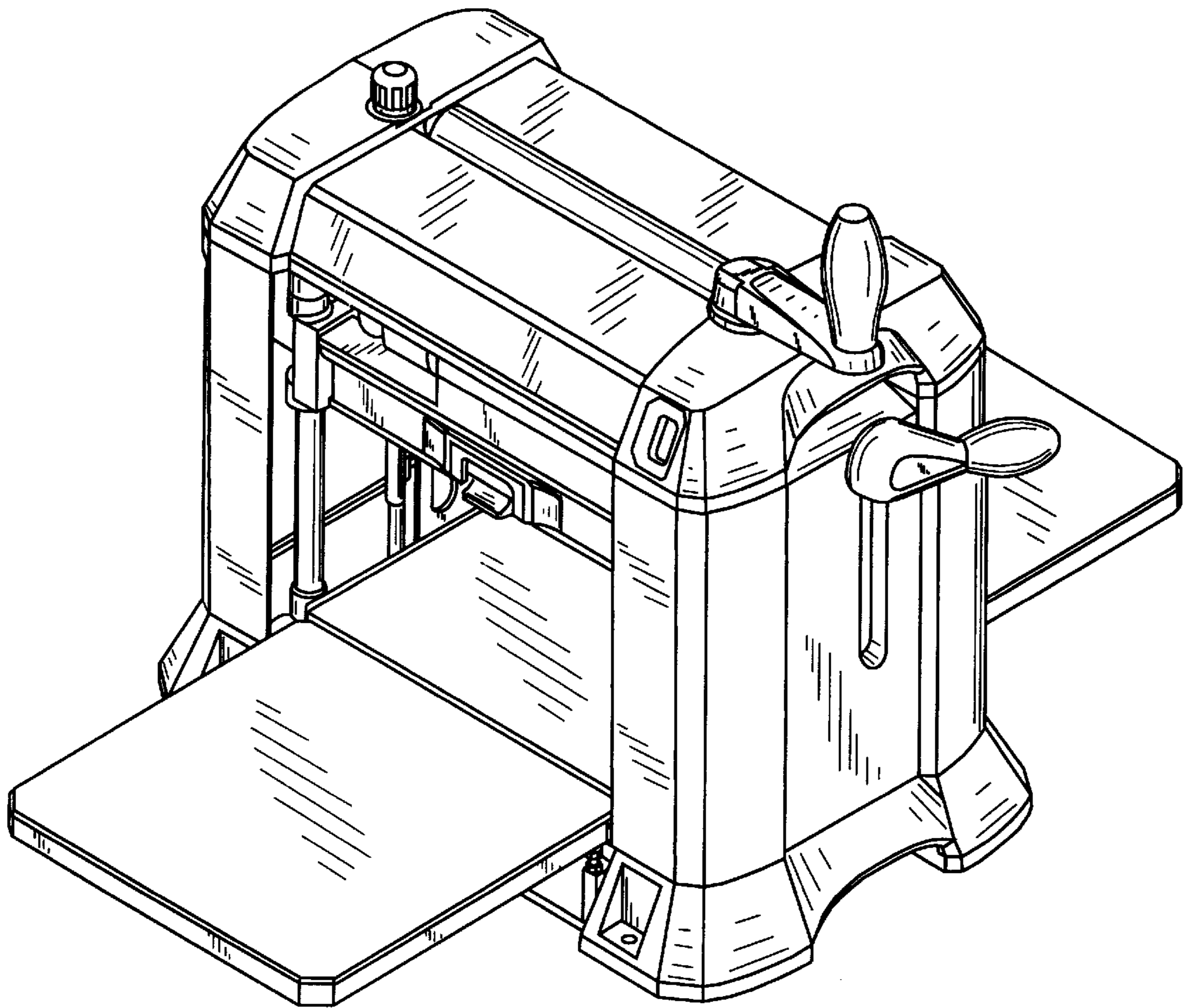


FIG. 1

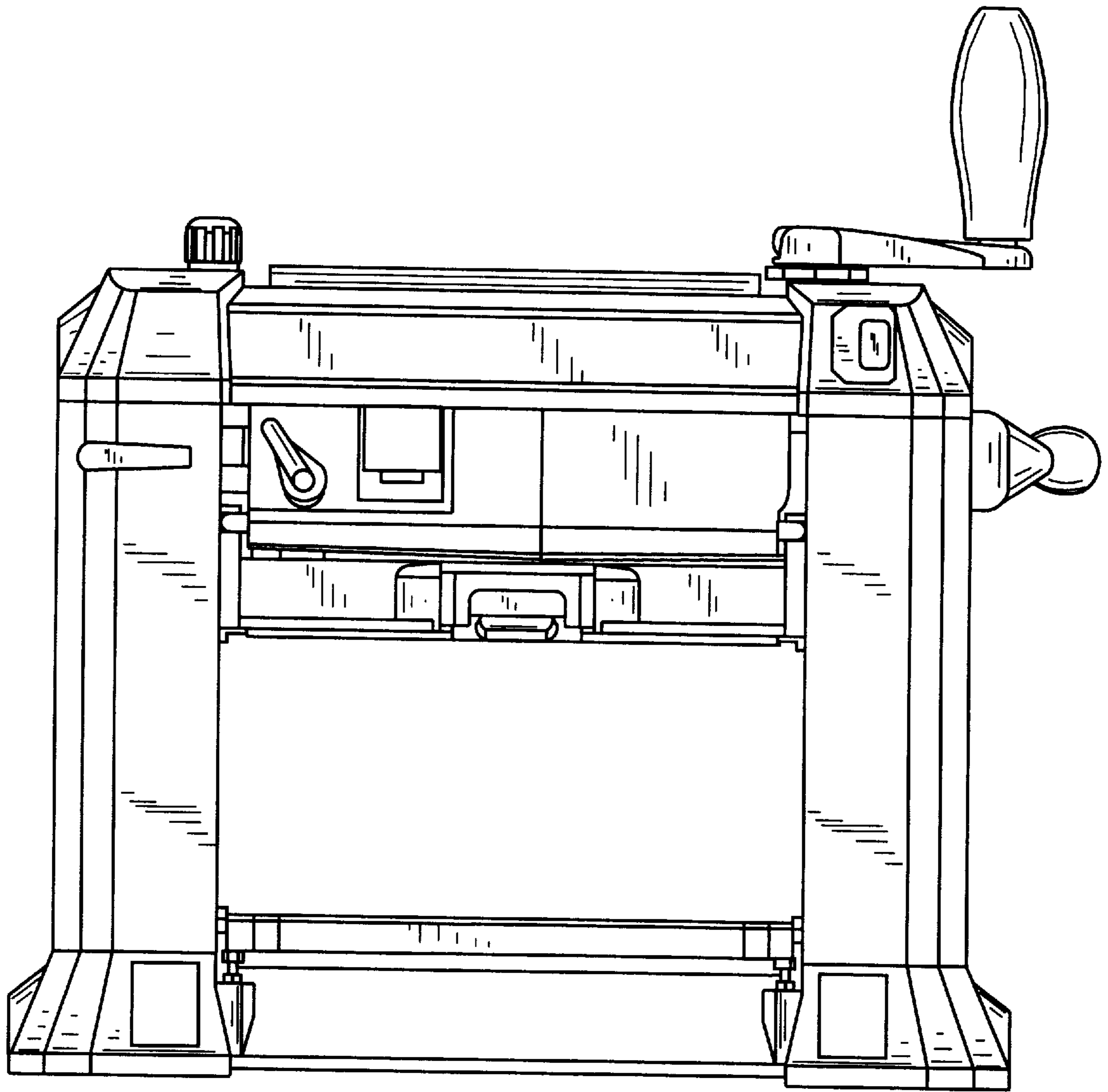


FIG. 2

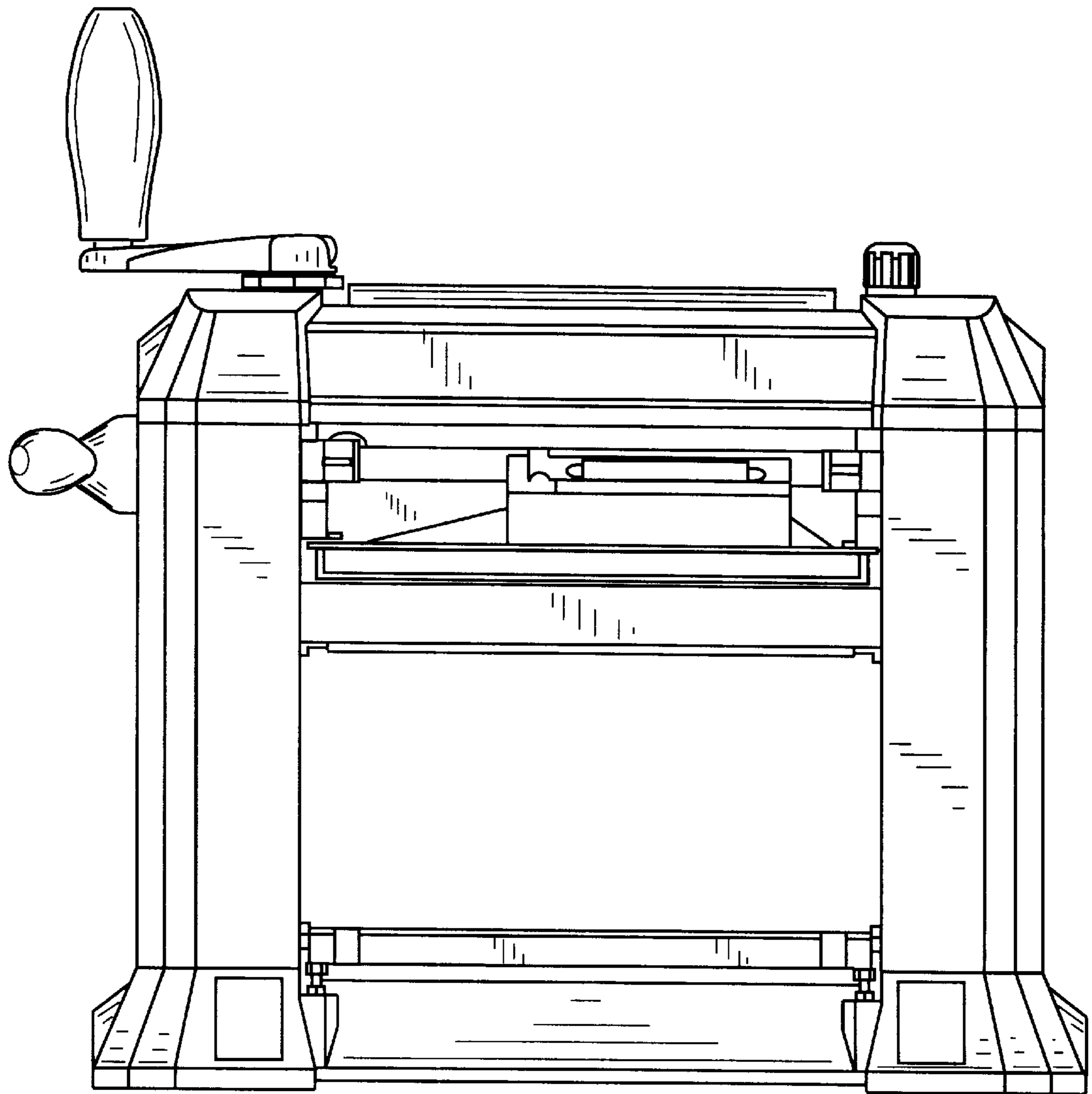


FIG. 3

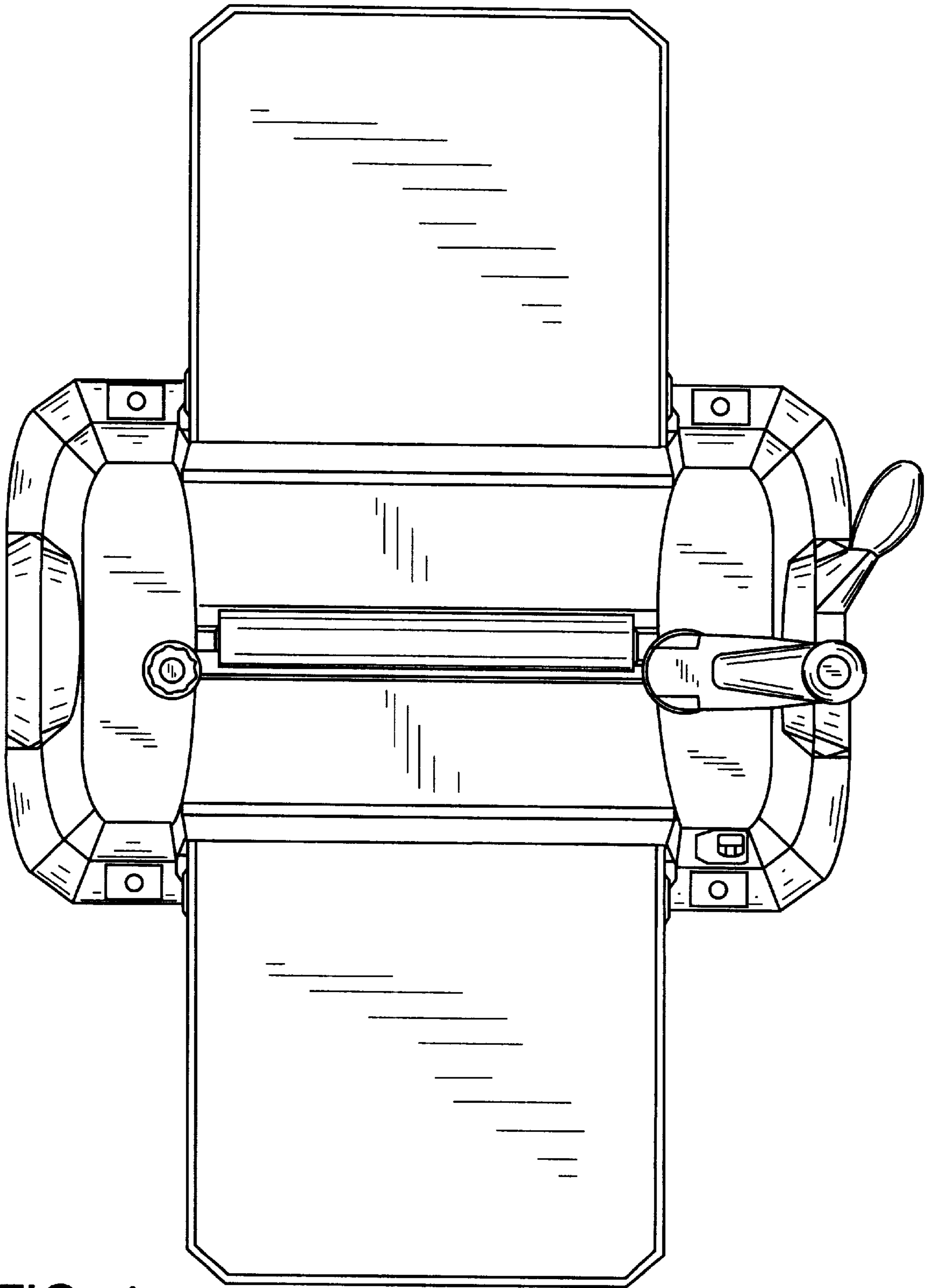


FIG. 4

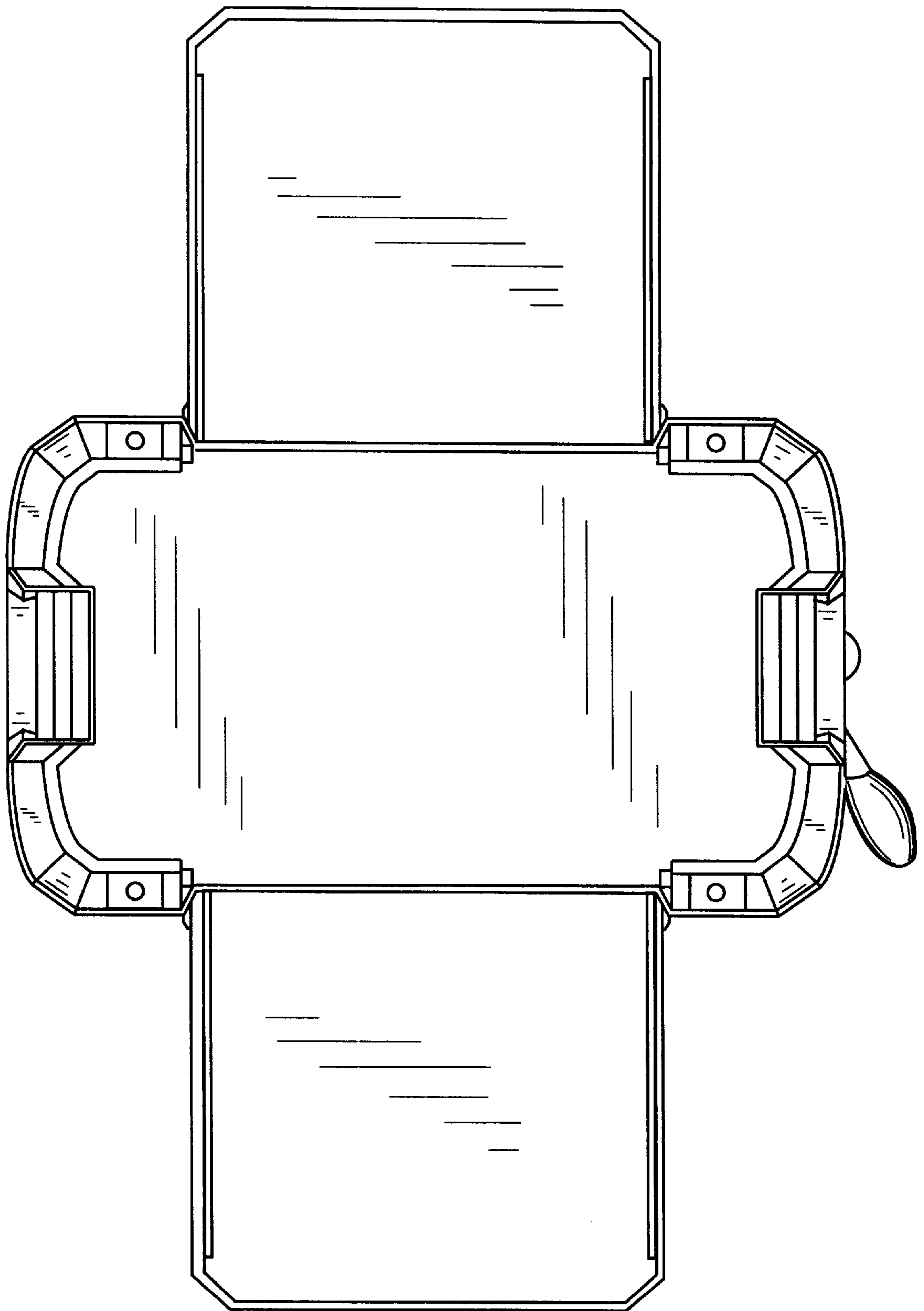


FIG. 5

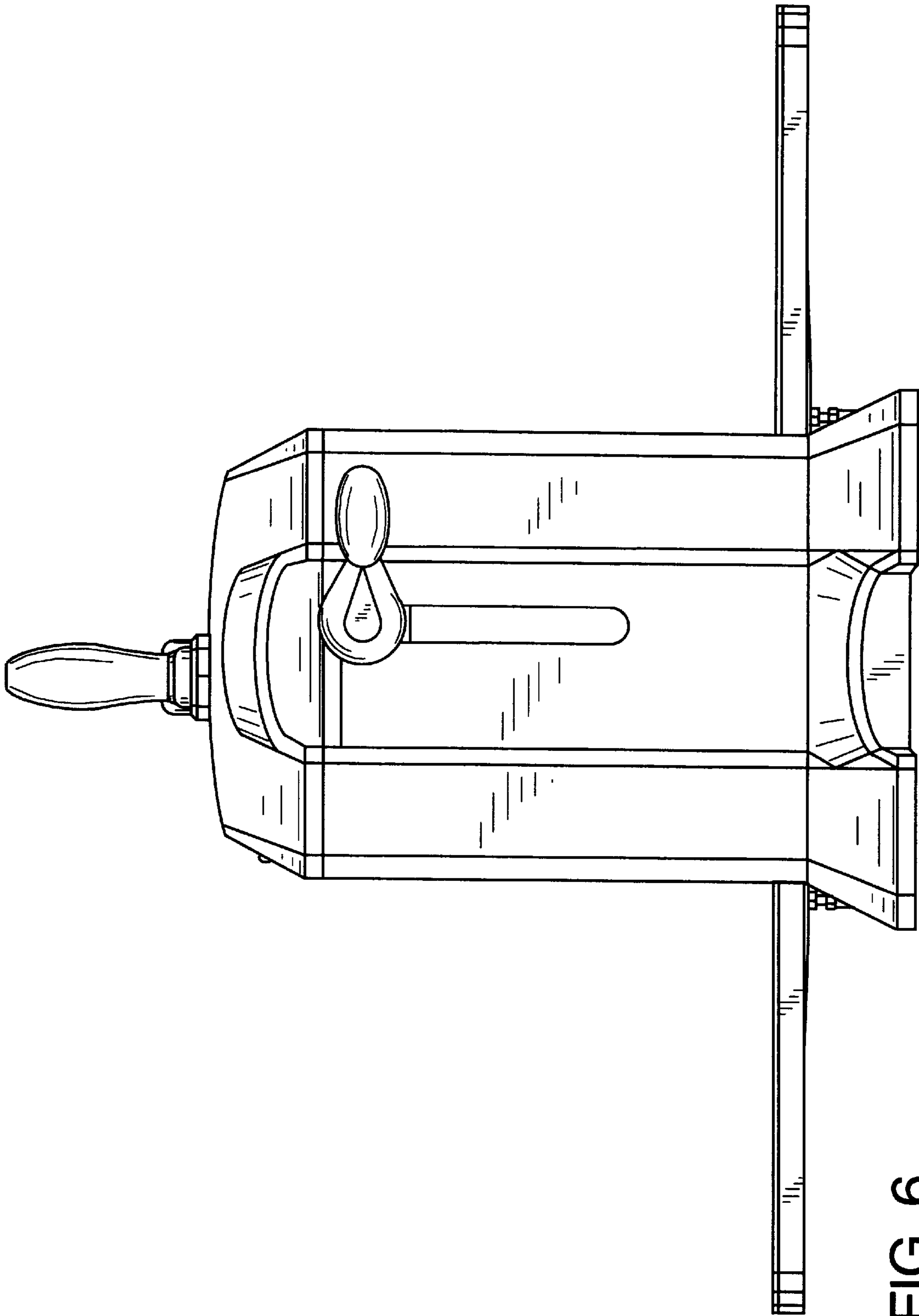


FIG. 6

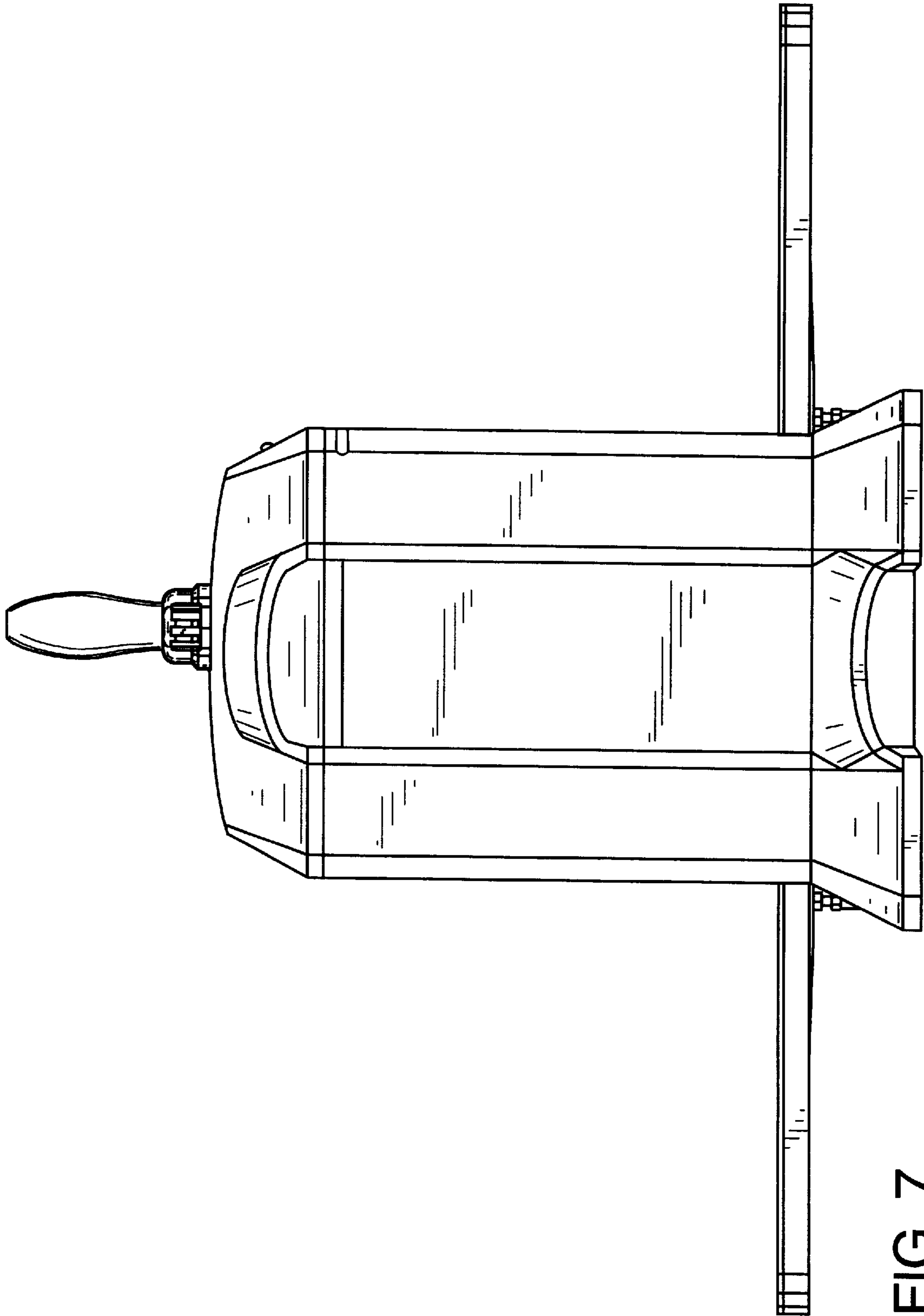


FIG. 7

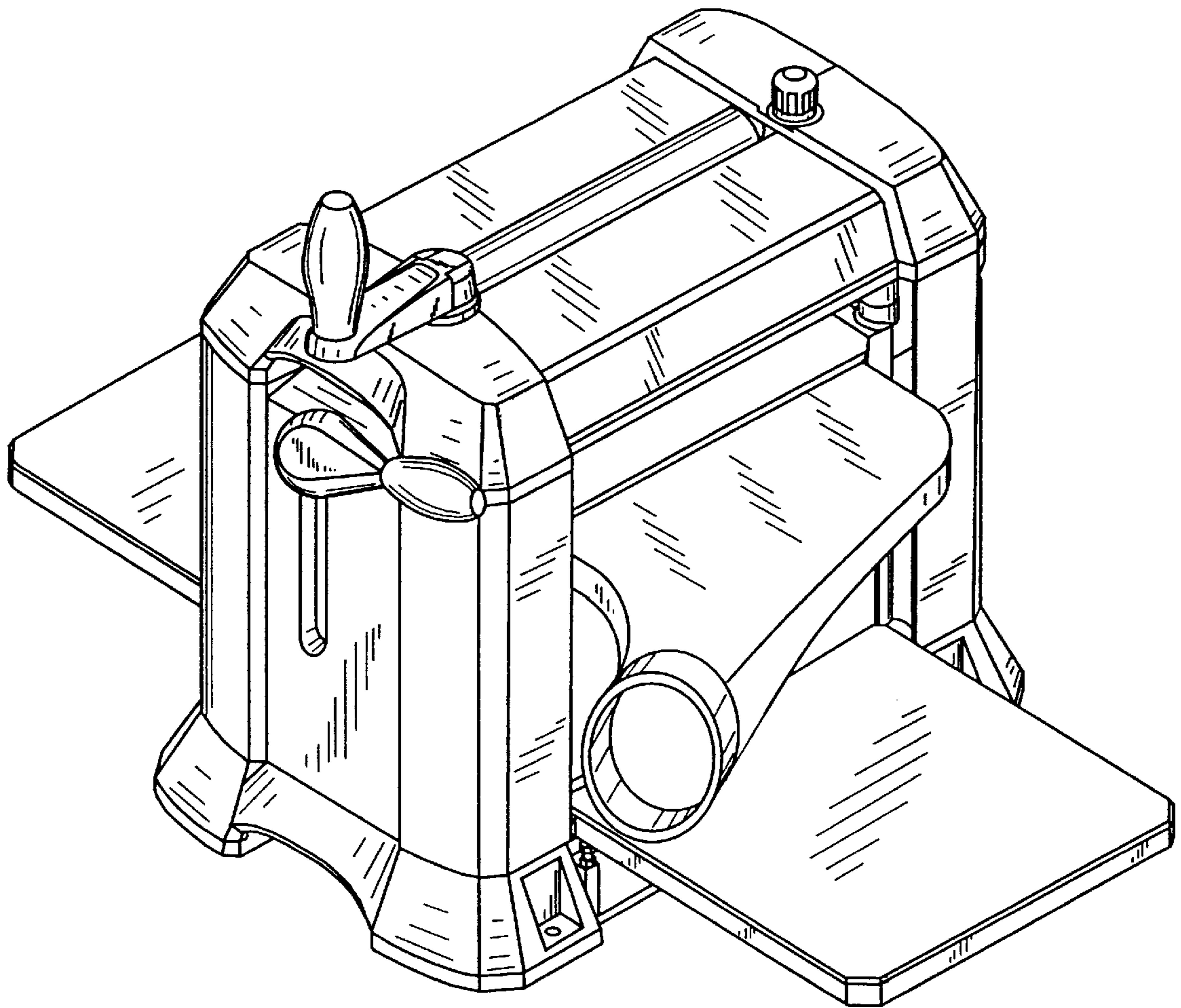


FIG. 8

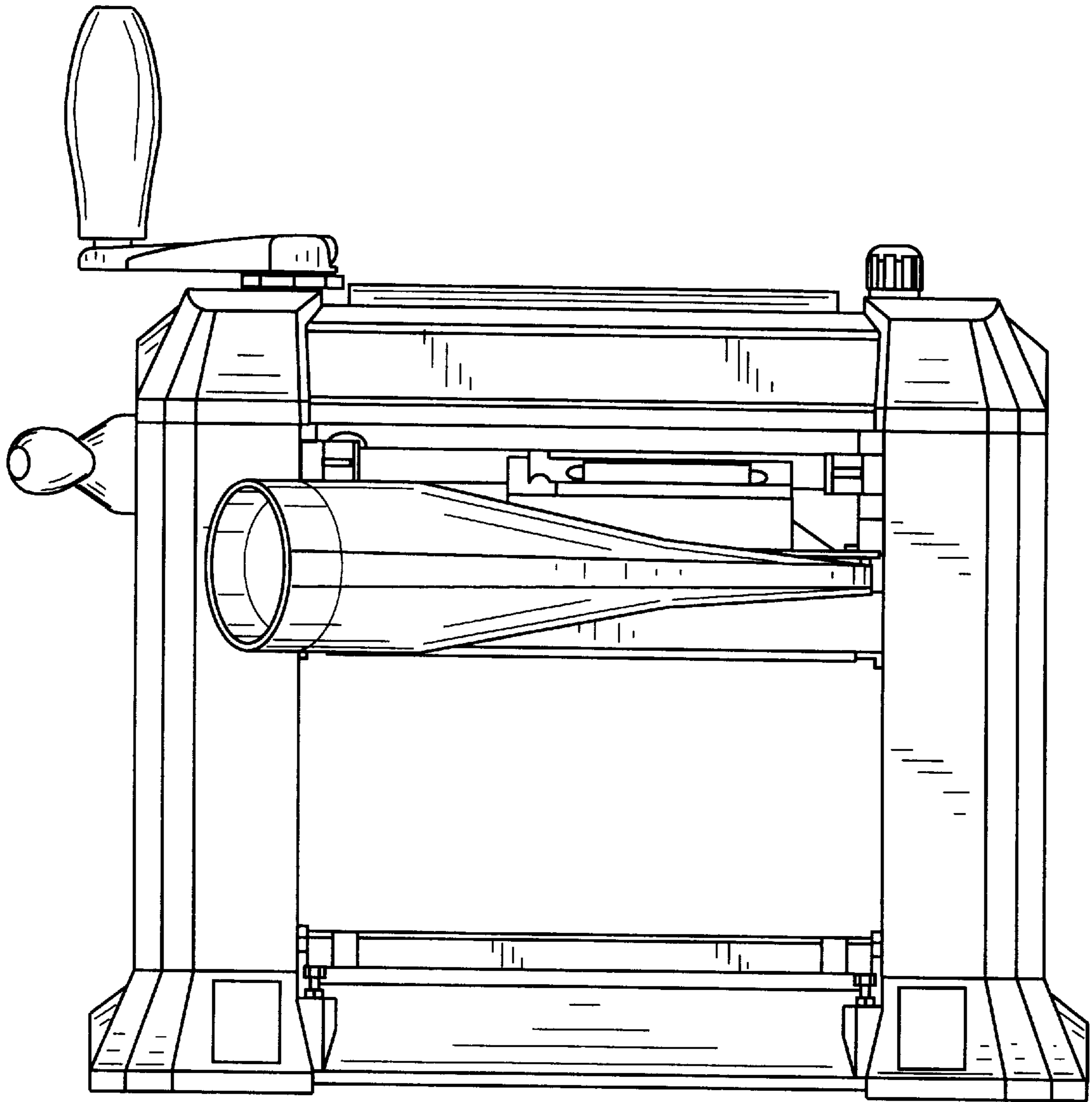


FIG. 9

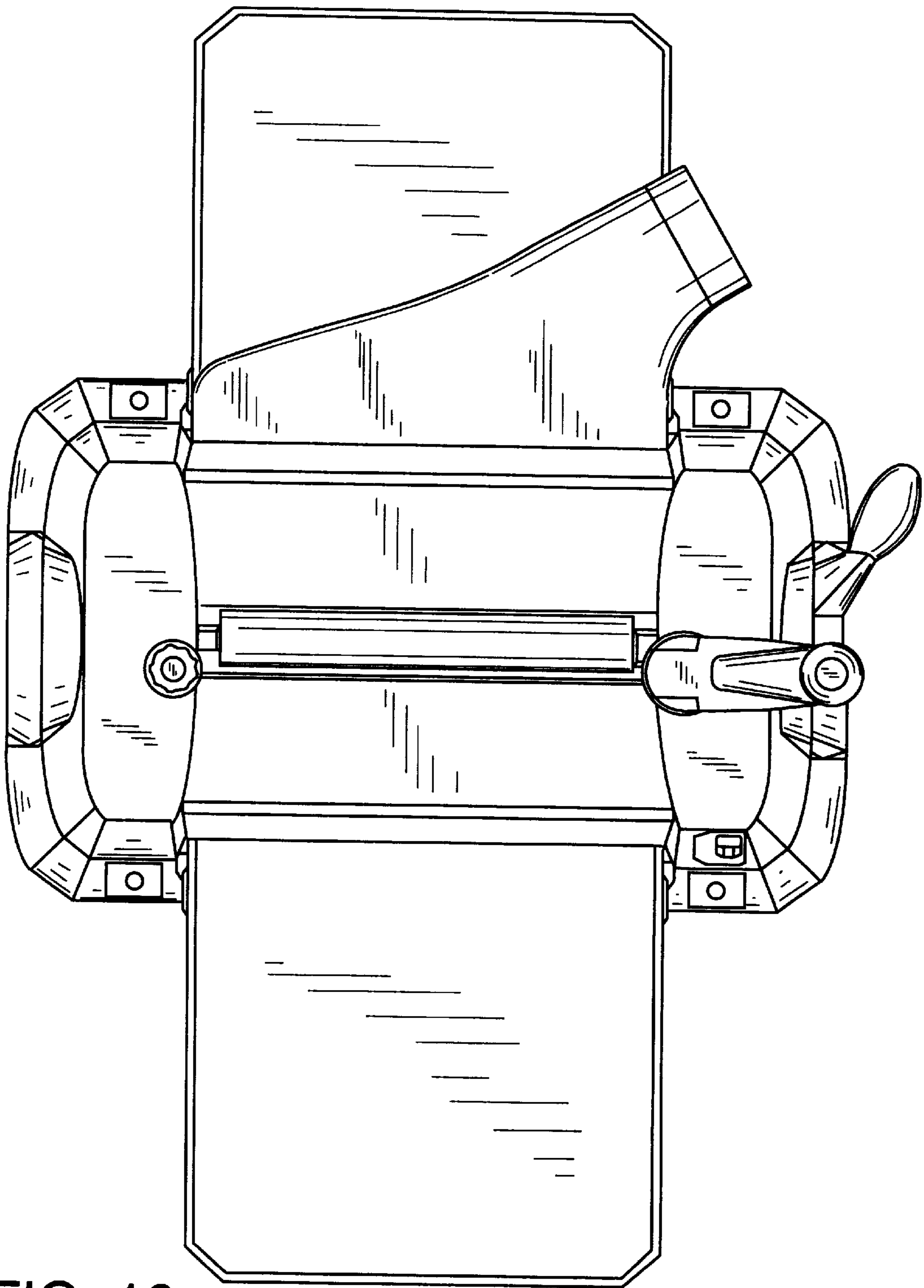


FIG. 10

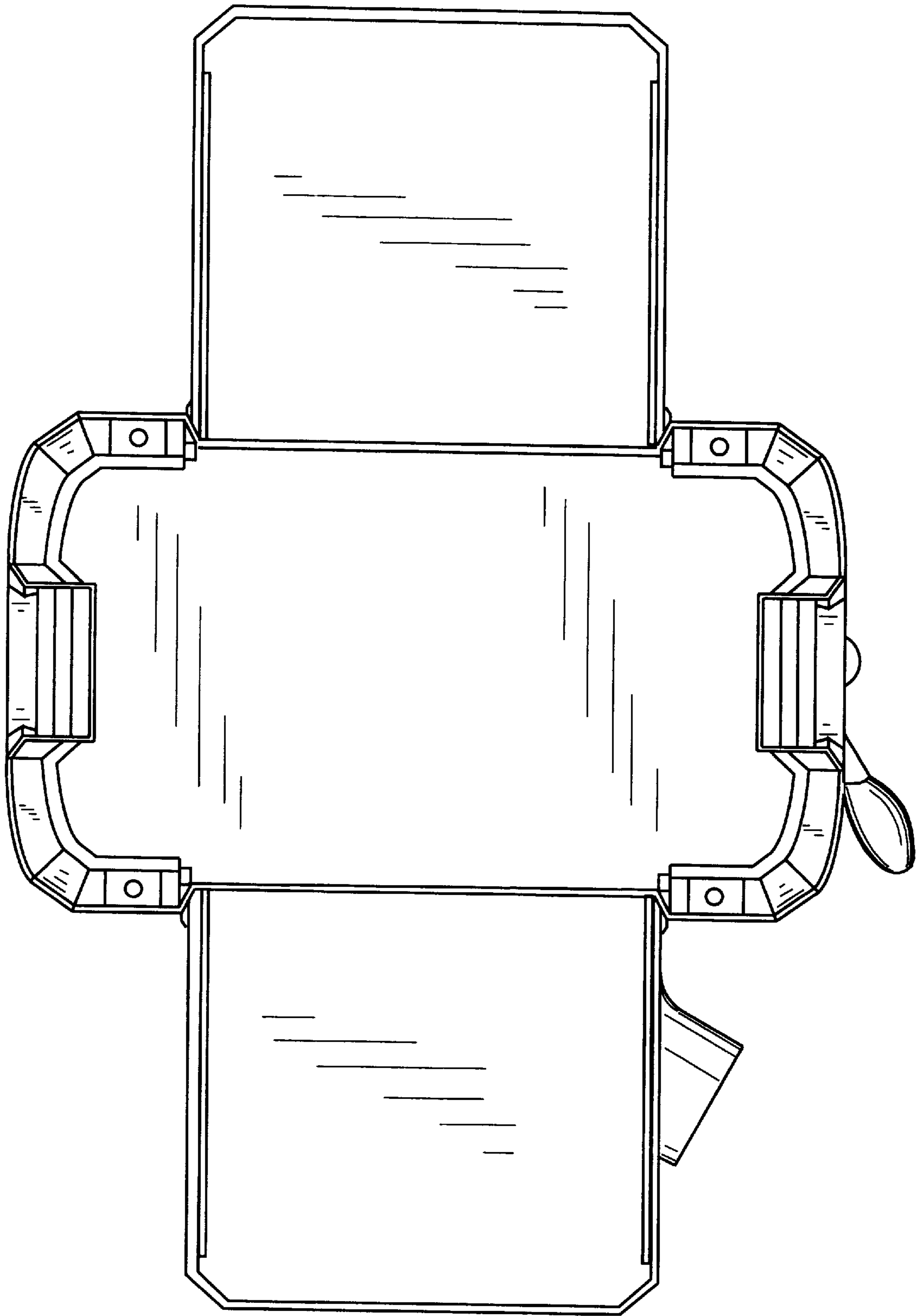


FIG. 11

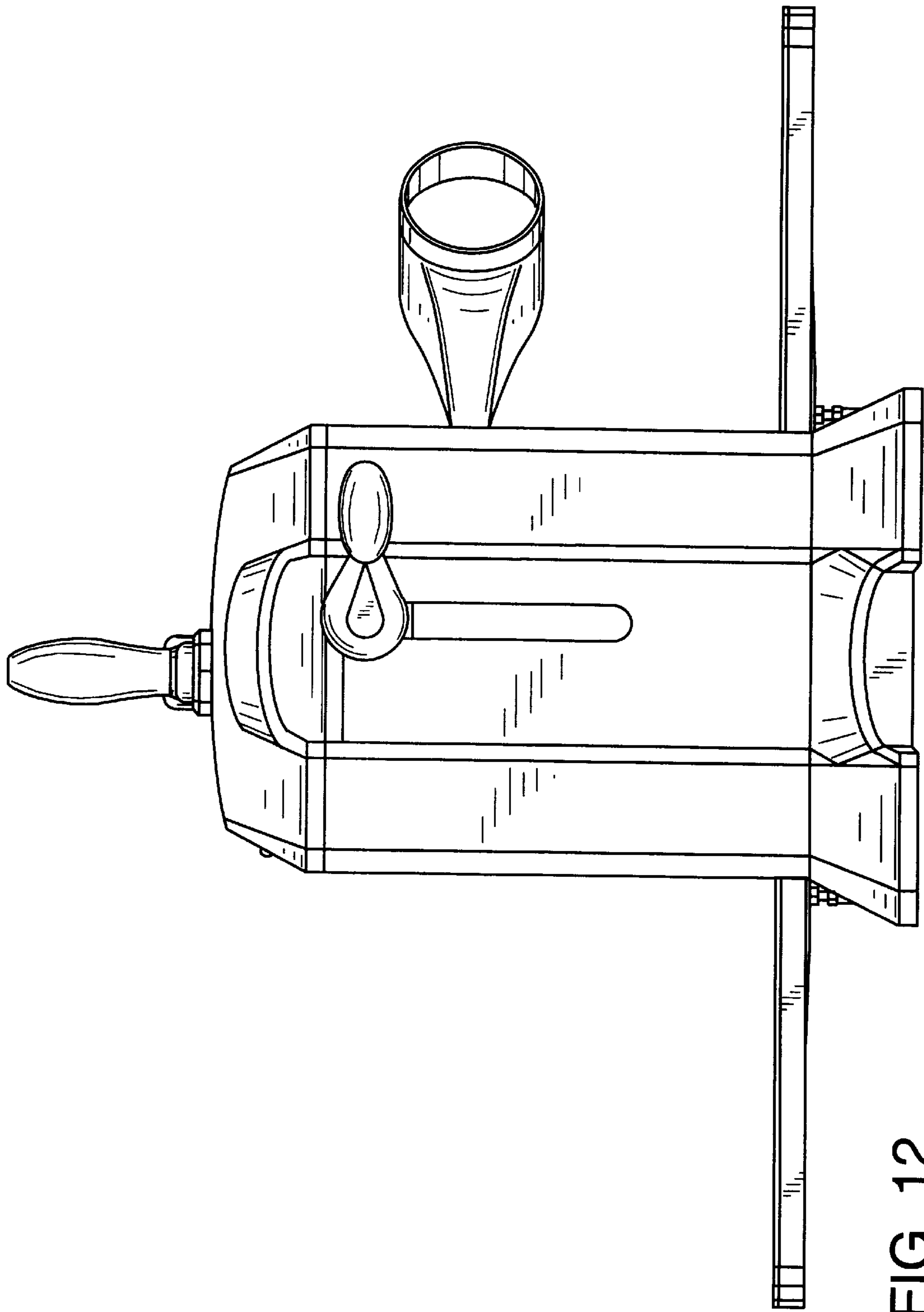


FIG. 12

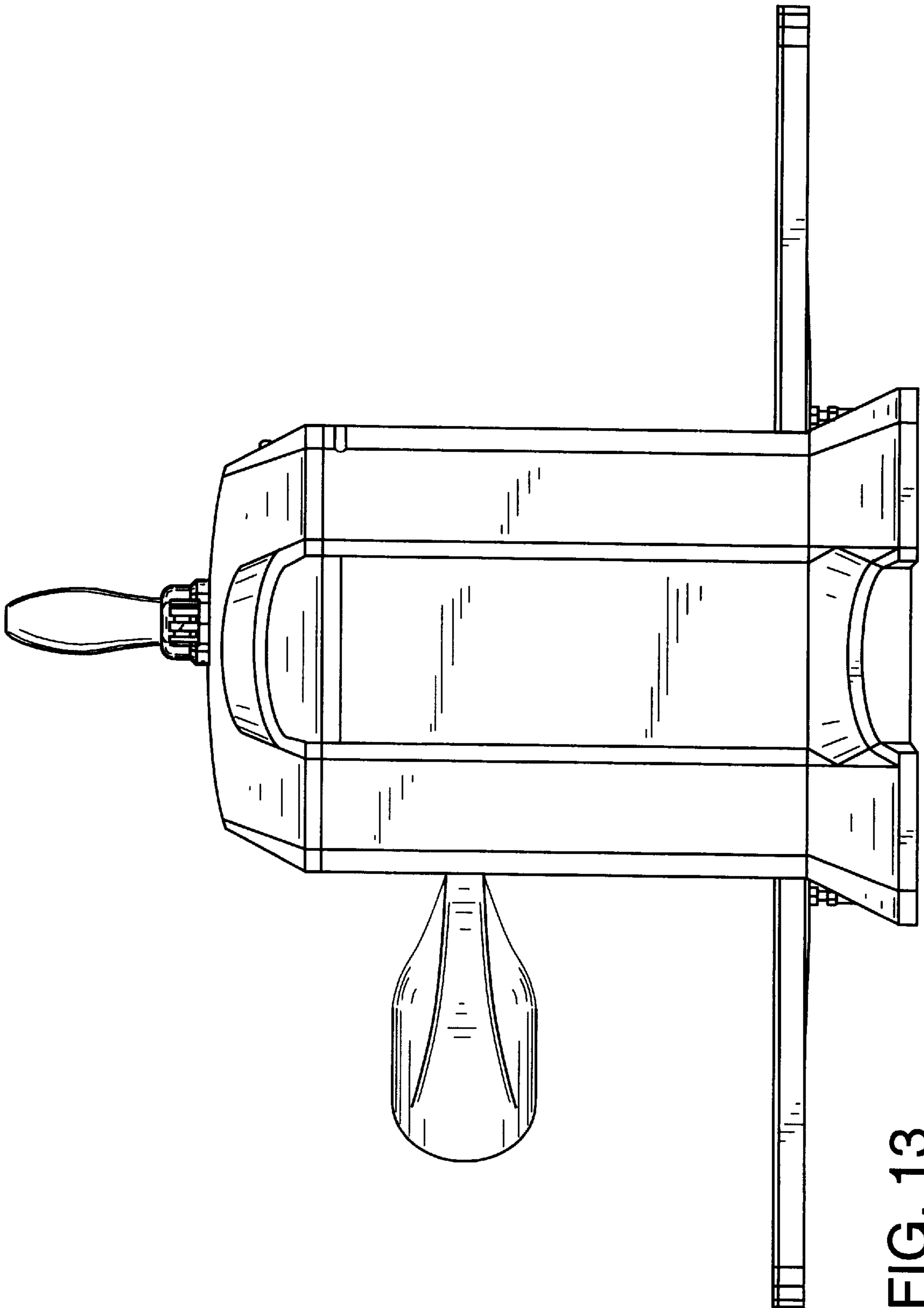


FIG. 13