



US00D460085S

(12) **United States Design Patent**
Crookes et al.

(10) **Patent No.: US D460,085 S**

(45) **Date of Patent: ** Jul. 9, 2002**

(54) **ARTICULATED TELEHANDLER**

(75) Inventors: **William E. Crookes**, Ann Arbor; **Aris G. Nichols**, Grosse Pointe, both of MI (US); **Bengt A. Nestell**, Pottstown, PA (US); **David Clark**, Dubuque, IA (US); **Rene Laberheim**, Rolbing (FR); **Ernst Simon**, Saarbrücken (DE)

(73) Assignee: **Deere & Company**, Moline, IL (US)

(**) Term: **14 Years**

(21) Appl. No.: **29/141,638**

(22) Filed: **May 10, 2001**

(30) **Foreign Application Priority Data**

Nov. 16, 2000 (XH) DM/054 241

(51) **LOC (7) Cl.** **15-03**

(52) **U.S. Cl.** **D15/25**

(58) **Field of Search** D15/22-26; 37/341, 37/442; 180/89.1, 89.2, 900, 190; 296/190, 202; 414/685, 694, 722, 724

(56) **References Cited**

U.S. PATENT DOCUMENTS

D217,661 S	*	5/1970	McCawley	D15/25
4,329,109 A	*	5/1982	Den Bleyker	414/685
D364,408 S	*	11/1995	Bryant et al.	D15/25
D405,807 S	*	2/1999	Amy et al.	D15/25
D412,506 S	*	8/1999	Boyer et al.	D15/25

* cited by examiner

Primary Examiner—Mitchell Siegel

(57) **CLAIM**

The ornamental design for an articulated telehandler, as shown and described.

DESCRIPTION

FIG. 1 is a right side elevational view of an articulated telehandler, showing our new design, the broken line showing a portion of the telehandler that is not consider part of the claimed design.

FIG. 2 is a front elevational view thereof; and, FIG. 3 is a rear elevational view thereof.

1 Claim, 3 Drawing Sheets

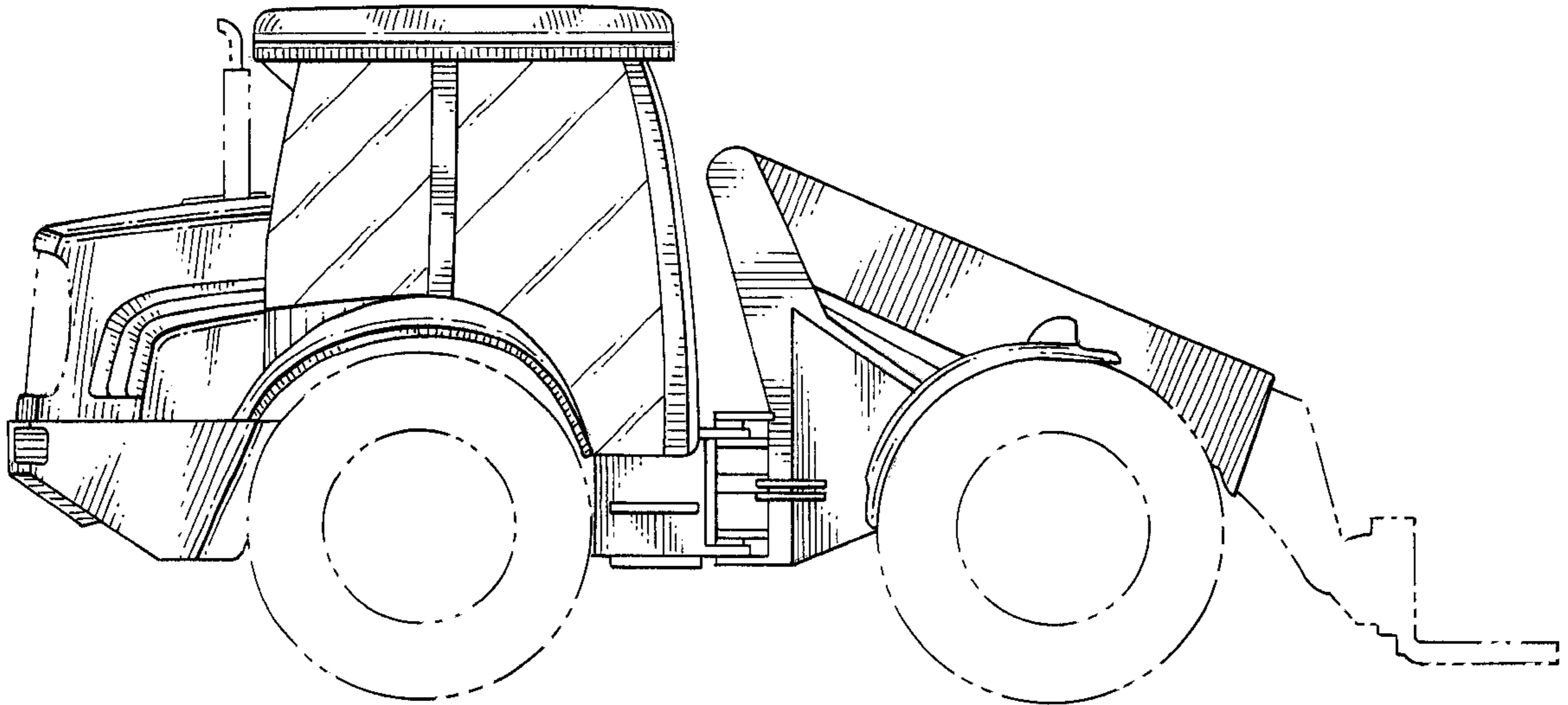


Fig. 1

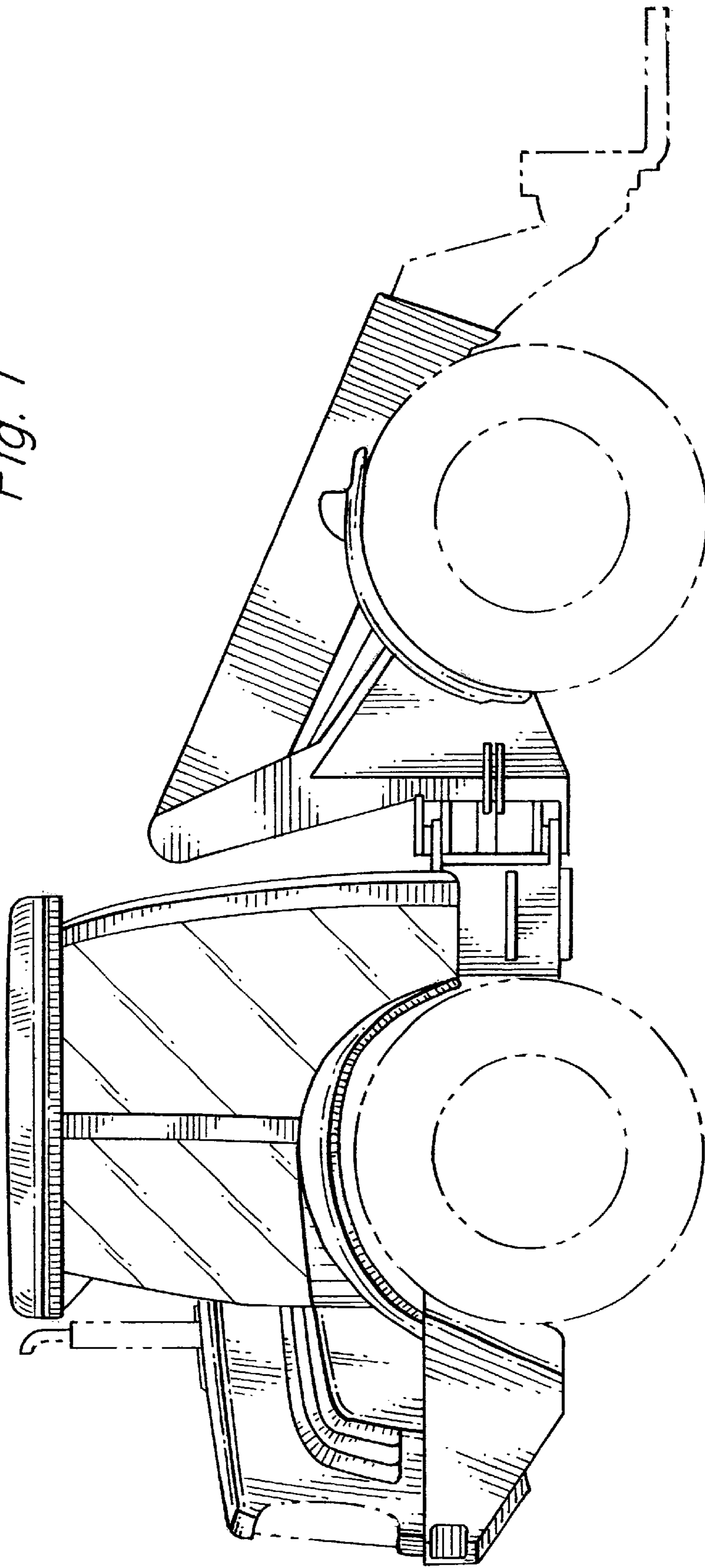


Fig. 2

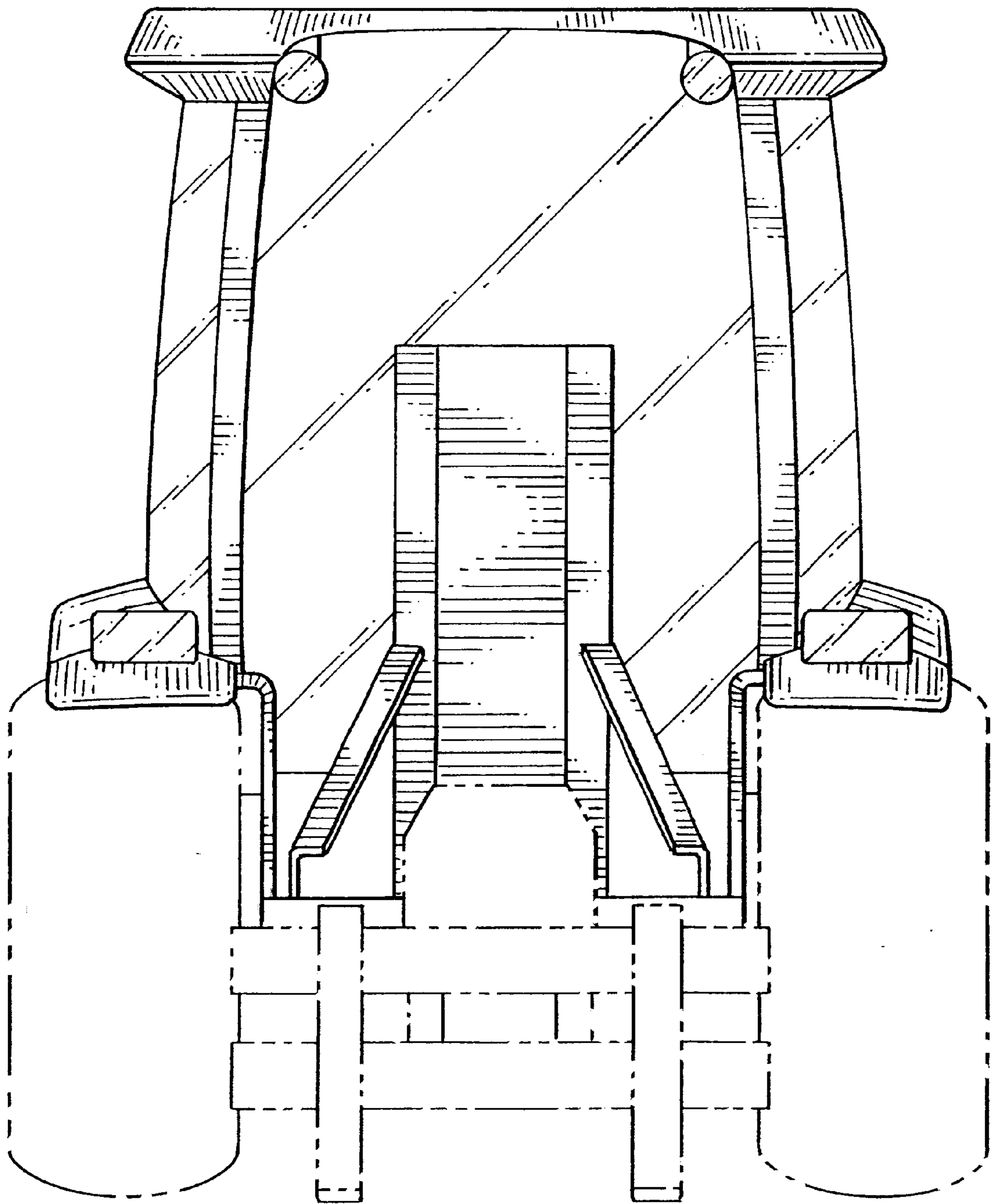


Fig. 3

