



US00D460084S

(12) **United States Design Patent**
Belzile

(10) **Patent No.:** **US D460,084 S**

(45) **Date of Patent:** **** Jul. 9, 2002**

(54) **EXCAVATOR**

(75) Inventor: **Luc Belzile**, Dieppe (CA)

(73) Assignee: **Belzile Design Inc.**, Dieppe (CA)

(**) Term: **14 Years**

(21) Appl. No.: **29/137,282**

(22) Filed: **Feb. 20, 2001**

(51) **LOC (7) Cl.** **12-09**

(52) **U.S. Cl.** **D15/23; D15/25**

(58) **Field of Search** **D15/10, 23-26,**
D15/32; 414/694, 722, 695.5

(56) **References Cited**

U.S. PATENT DOCUMENTS

- 4,256,432 A * 3/1981 Sugiyama 414/694
- 4,728,251 A * 3/1988 Takashima et al. 414/694
- D354,497 S * 1/1995 Kusunoki et al. D15/25
- D383,469 S * 9/1997 Ishizaki et al. D15/25

OTHER PUBLICATIONS

Promotion Sheet entitled: "Beaver Pro QH50", Published by: L.B. Manufacturing Inc., 671 Babin Street, Dieppe

Industrial Park, Dieppe, New Brunswick, Canada, E1A 5M7, Publication Date: Jul. 2000.

* cited by examiner

Primary Examiner—Mitchell Siegel

(74) *Attorney, Agent, or Firm*—Mario Theriault

(57) **CLAIM**

The ornamental design for the entire excavator, as shown and described.

DESCRIPTION

FIG. 1 is a left side view of an excavator showing a first variant of my new design, the right side view being a mirror image;

FIG. 2 is a front view thereof, the rear view being a similar image;

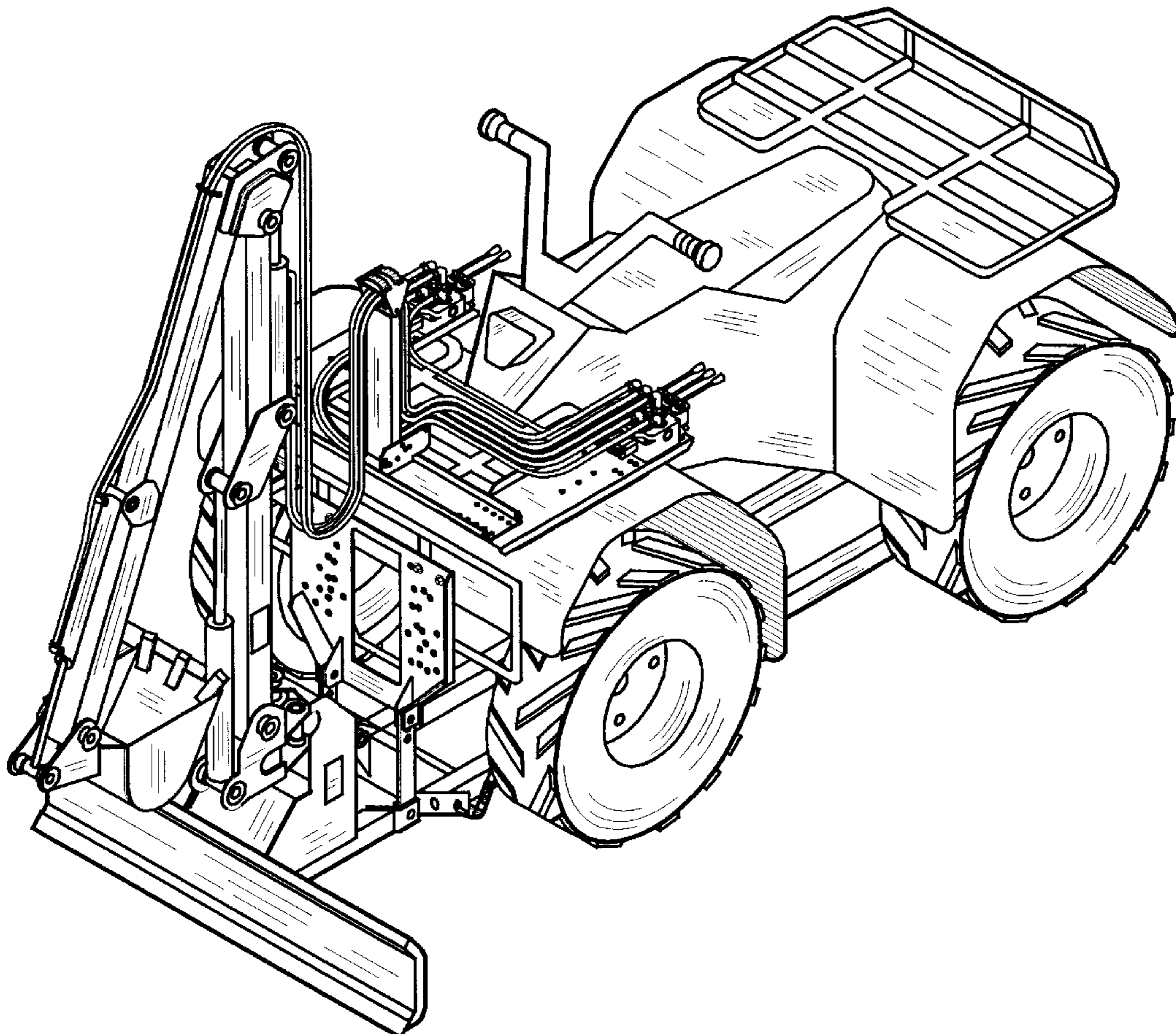
FIG. 3 is a top view thereof;

FIG. 4 is a left side view of an excavator showing a second variant of my new design, the right side view being a mirror image;

FIG. 5 is a top view of the second variant of my new design; and,

FIG. 6 is a perspective top, front and left side view of the first variant of my new design.

1 Claim, 6 Drawing Sheets



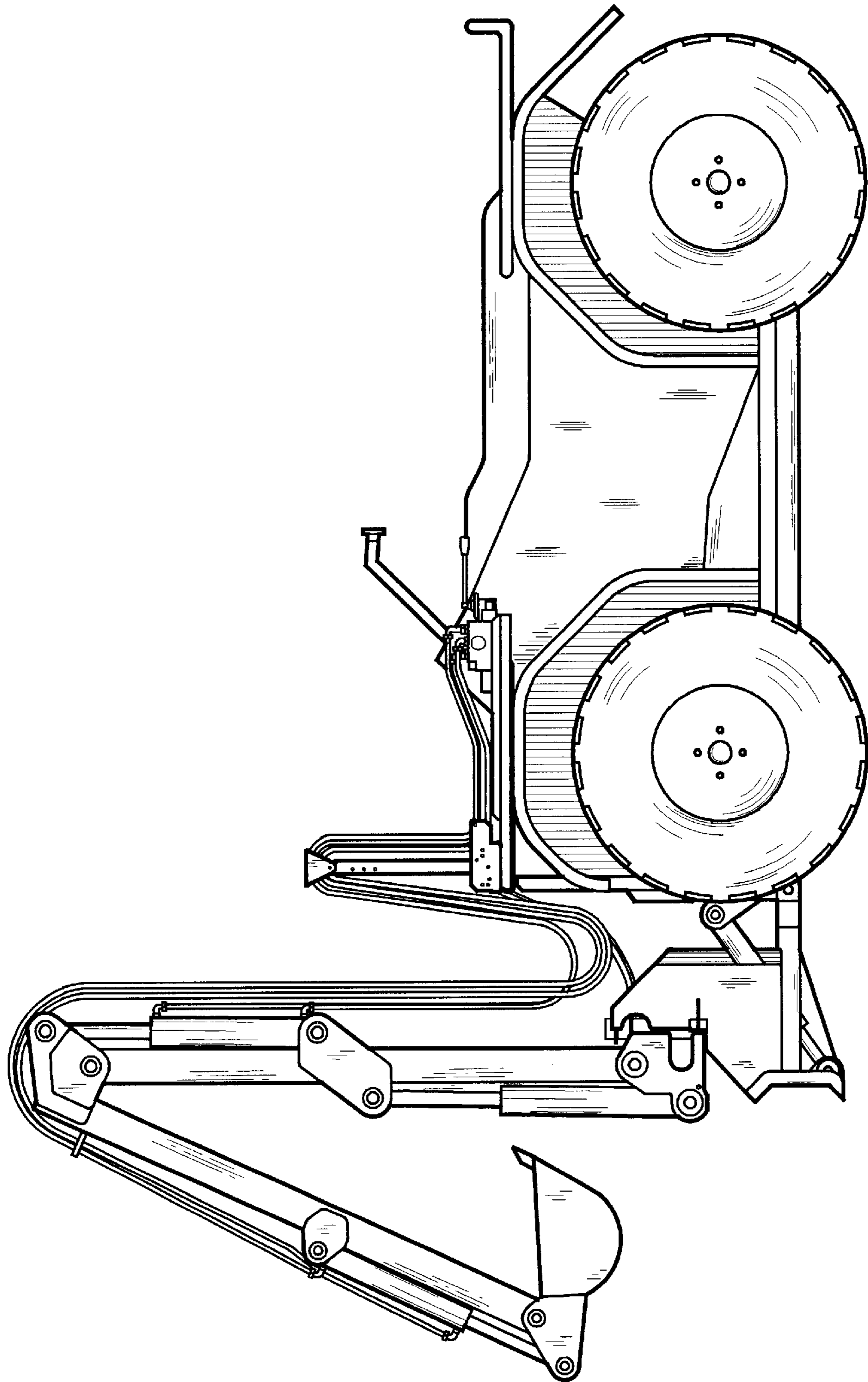


FIG. 1

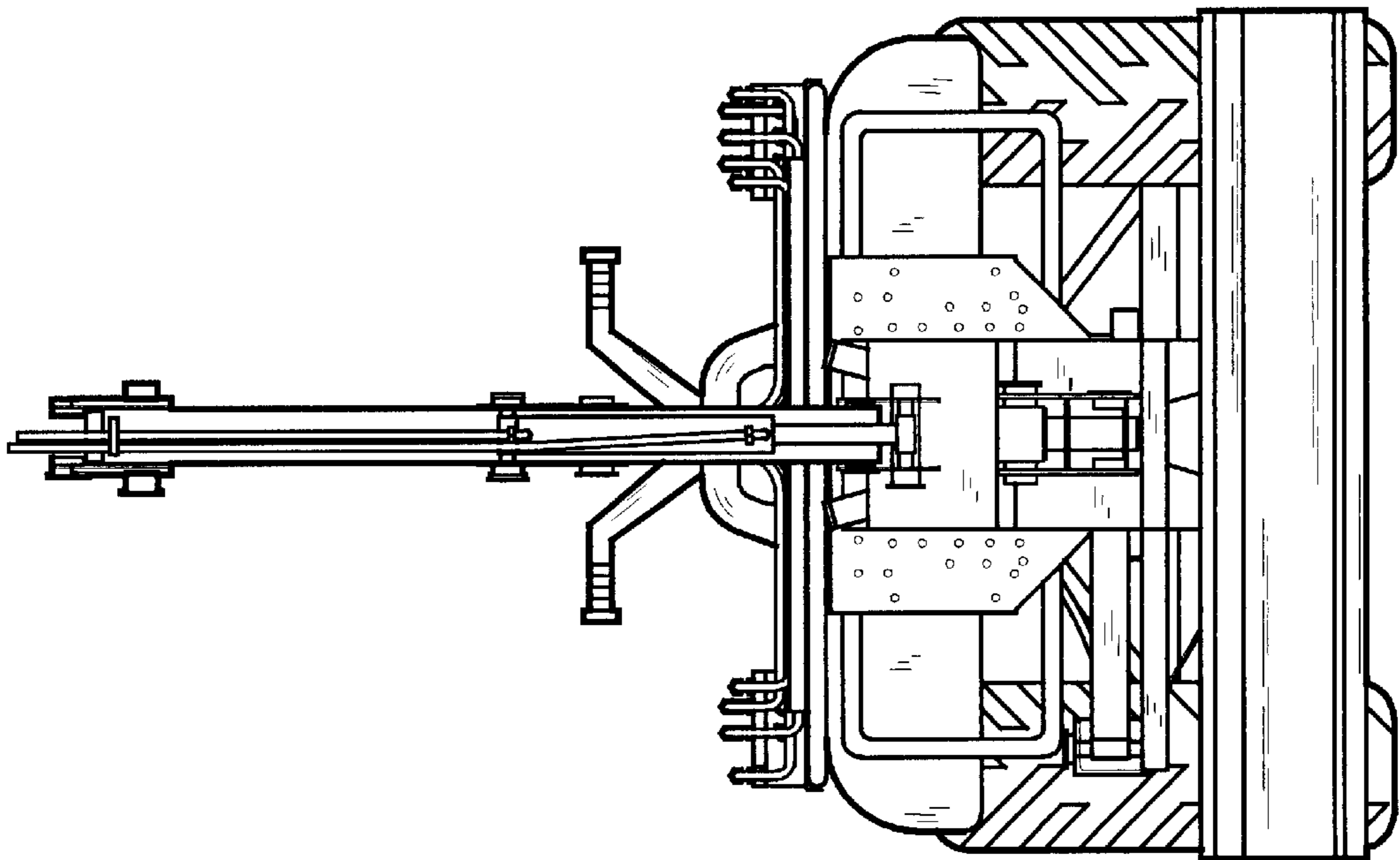


FIG. 2

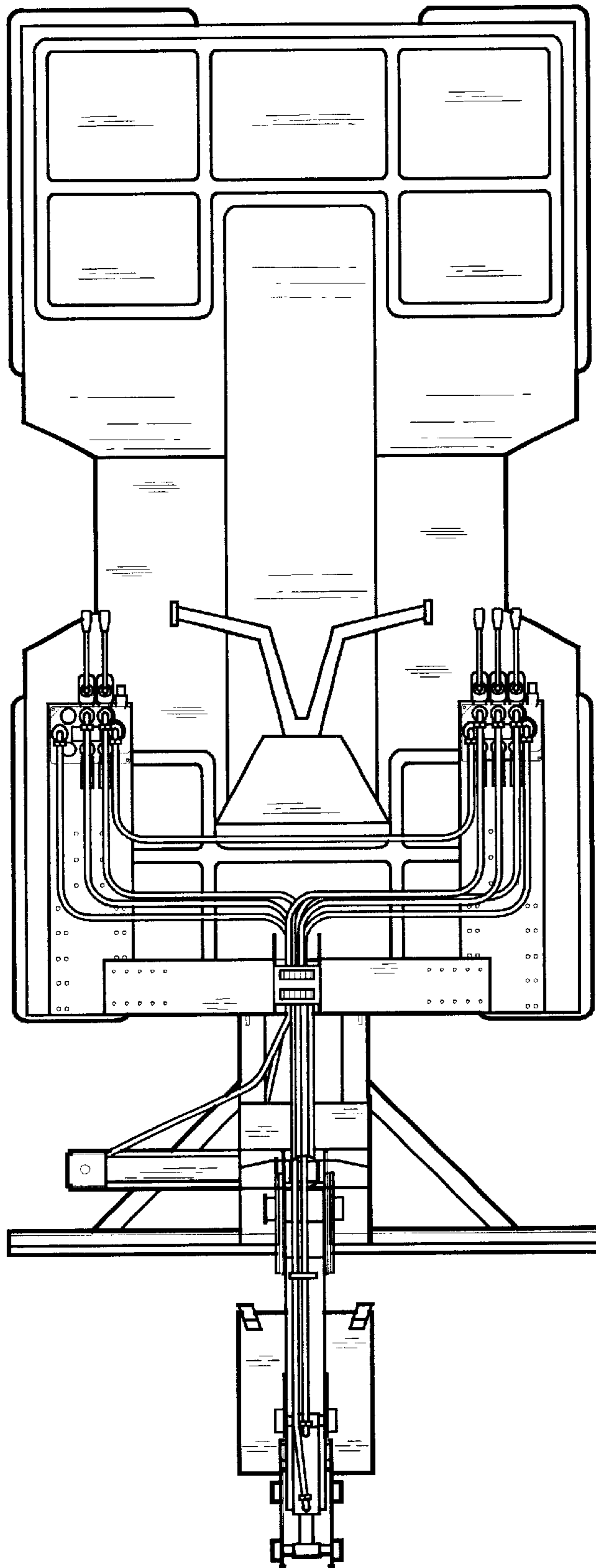


FIG. 3

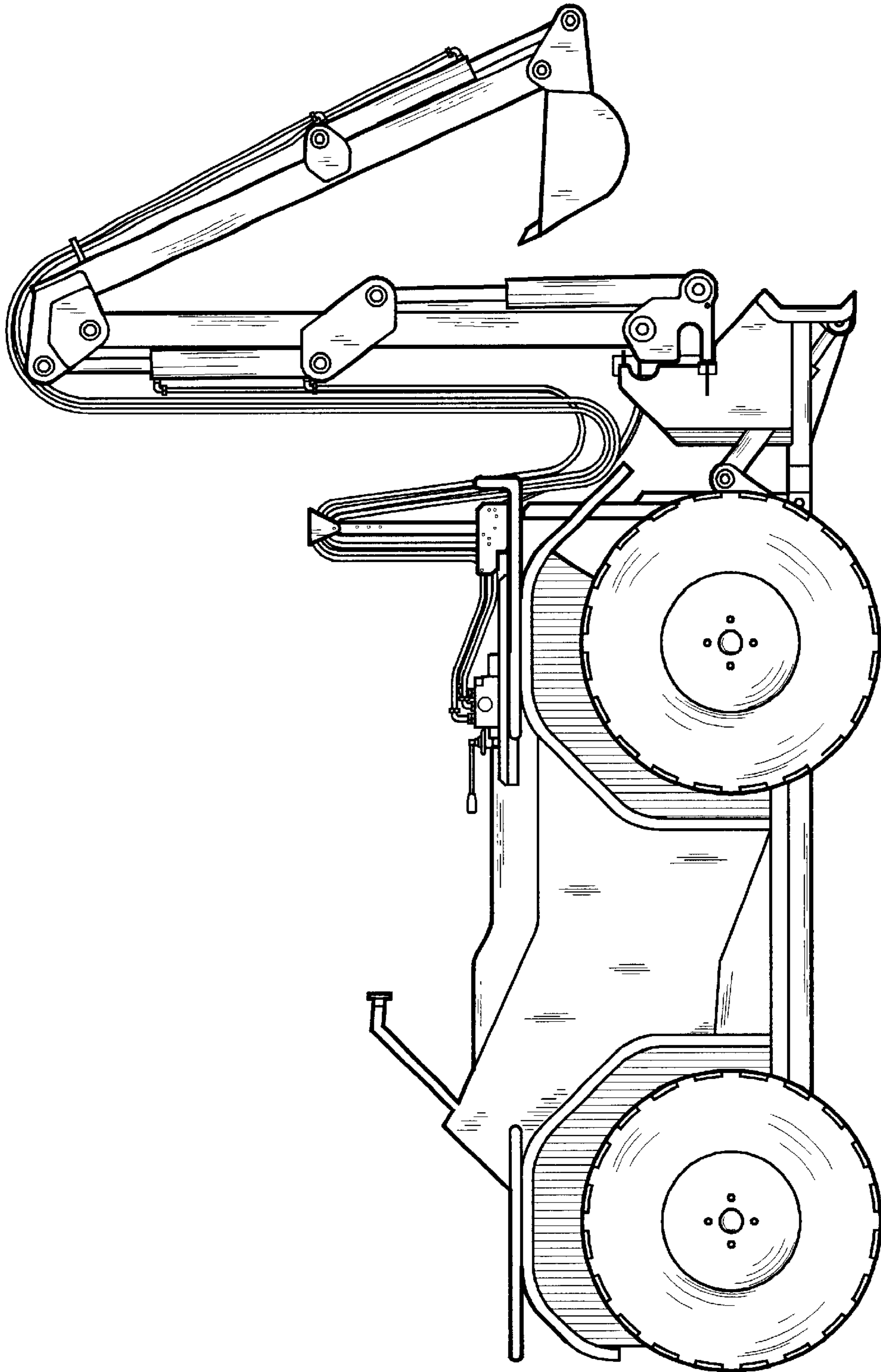


FIG. 4

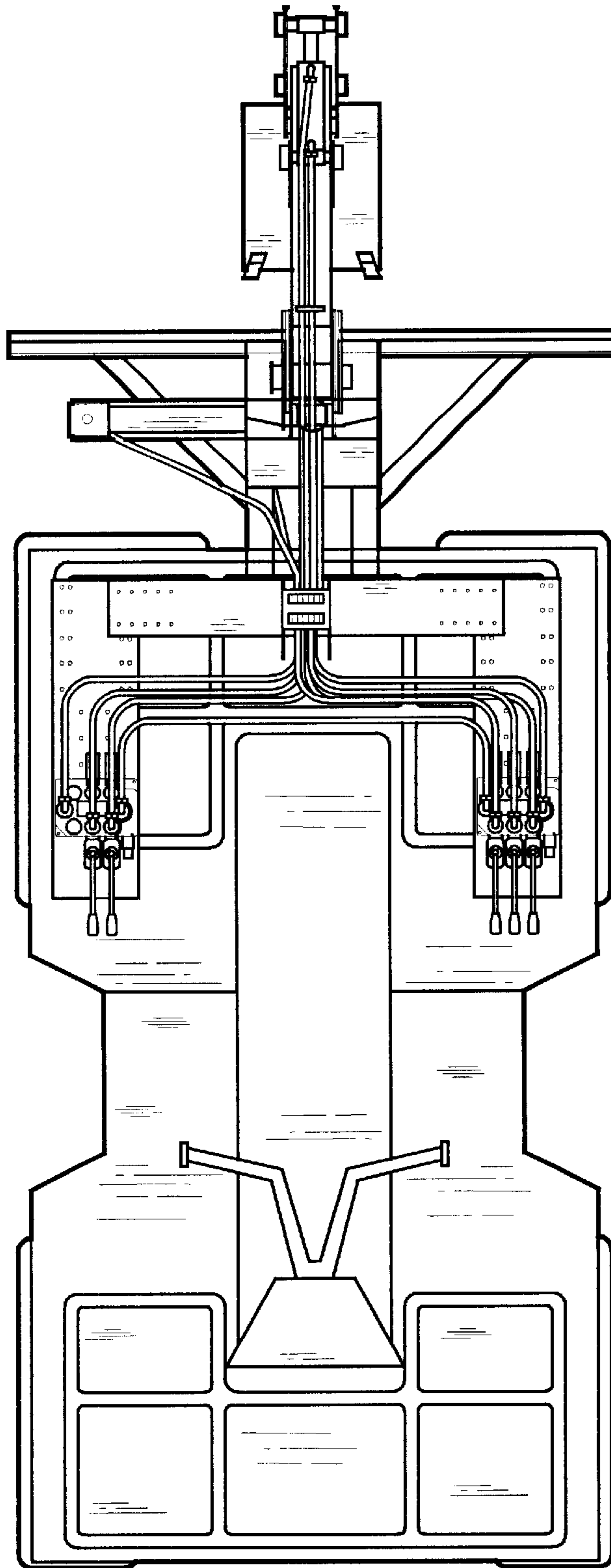


FIG. 5

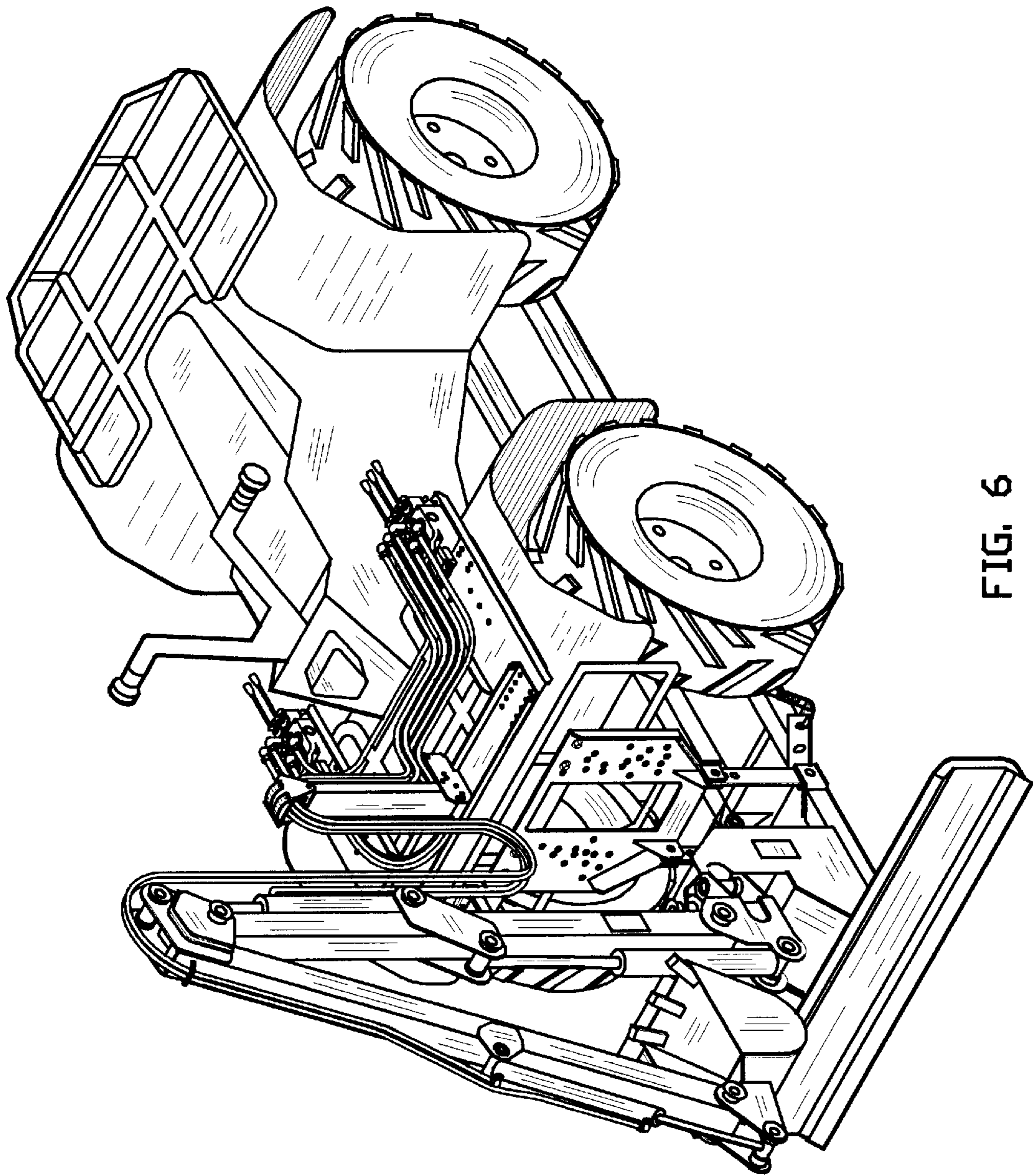


FIG. 6