



US00D460083S

(12) **United States Design Patent**
Rosse

(10) **Patent No.:** **US D460,083 S**

(45) **Date of Patent:** **** Jul. 9, 2002**

(54) **LAWNMOWER WITH RECHARGEABLE BATTERY**

RE36,250 E 7/1999 Hess et al.
6,170,241 B1 * 1/2002 Shibilski et al. 56/11.9

(76) Inventor: **Louis E Rosse**, 195 Friends La.,
Westbury, NY (US) 11590

* cited by examiner

Primary Examiner—Mitchell Siegel

(**) Term: **14 Years**

(57) **CLAIM**

(21) Appl. No.: **29/143,149**

The ornamental design for a lawnmower with rechargeable battery, as shown and described.

(22) Filed: **Jun. 8, 2001**

DESCRIPTION

(51) **LOC (7) Cl.** **15-03**

(52) **U.S. Cl.** **D15/14**

(58) **Field of Search** D15/14; 56/11.9,
56/10.2 R, 12.7, 13.7, 13.4, 16.6, 12.2,
202, 256, 320.1, 294, 295

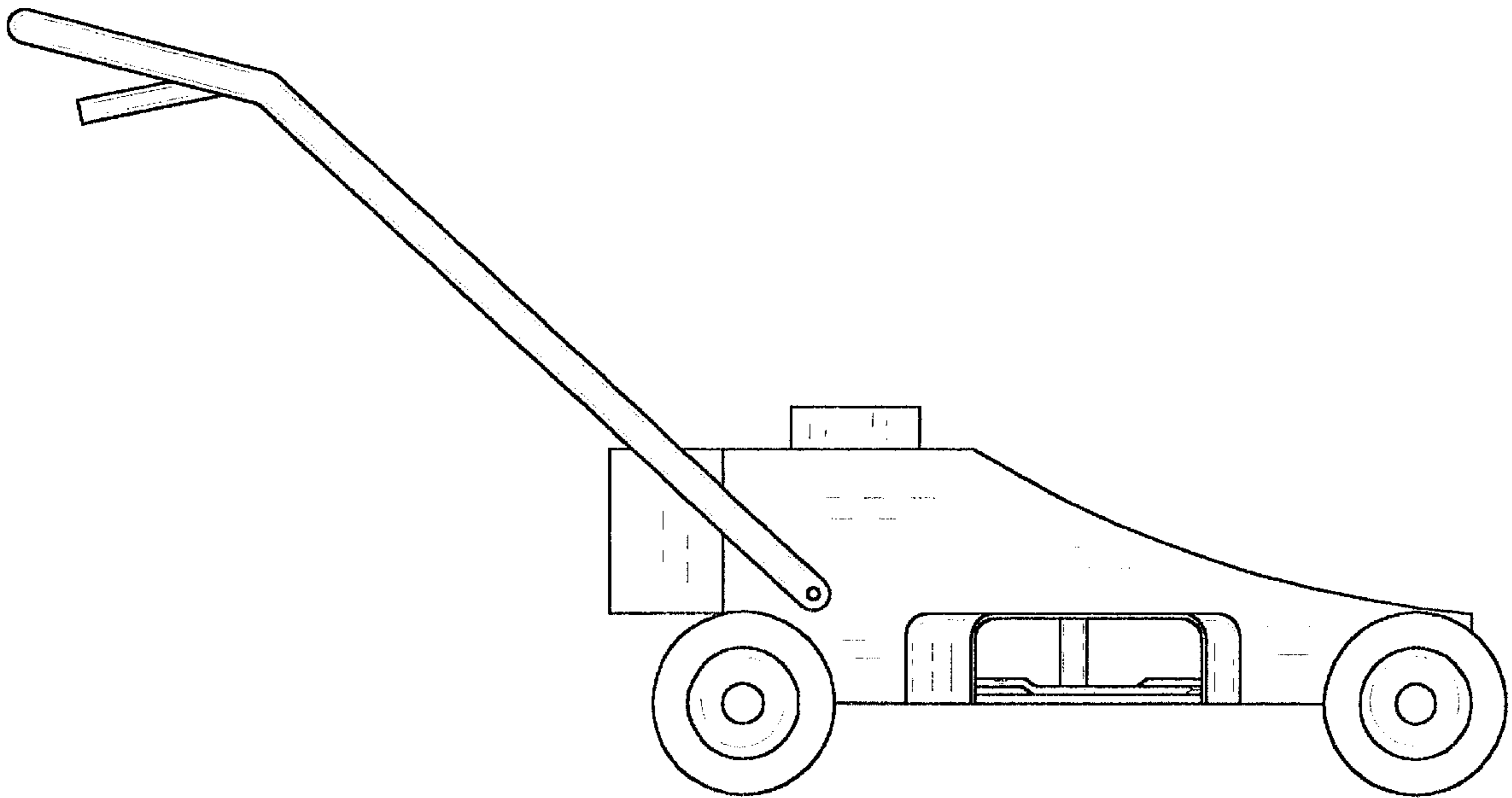
FIG. 1 is a front elevational view of the lawnmower with rechargeable battery of the present invention;
FIG. 2 is a rear elevational view of the lawnmower with rechargeable battery of FIG. 1;
FIG. 3 is a left side elevational view of the lawnmower with rechargeable battery of FIG. 1;
FIG. 4 is a right side elevational view of the lawnmower with rechargeable battery of FIG. 1;
FIG. 5 is a top plan view of the lawnmower with rechargeable battery of FIG. 1; and,
FIG. 6 is a bottom plan view of the lawnmower with rechargeable battery of FIG. 1.

(56) **References Cited**

U.S. PATENT DOCUMENTS

4,145,864 A	3/1979	Brewster	
4,882,896 A	11/1989	Wilcox	
D347,640 S	6/1994	Chunn et al.	
5,493,851 A	* 2/1996	Katzer et al. 56/12.7
5,584,723 A	12/1996	Sutliff et al.	
5,606,851 A	3/1997	Bruener et al.	

1 Claim, 4 Drawing Sheets



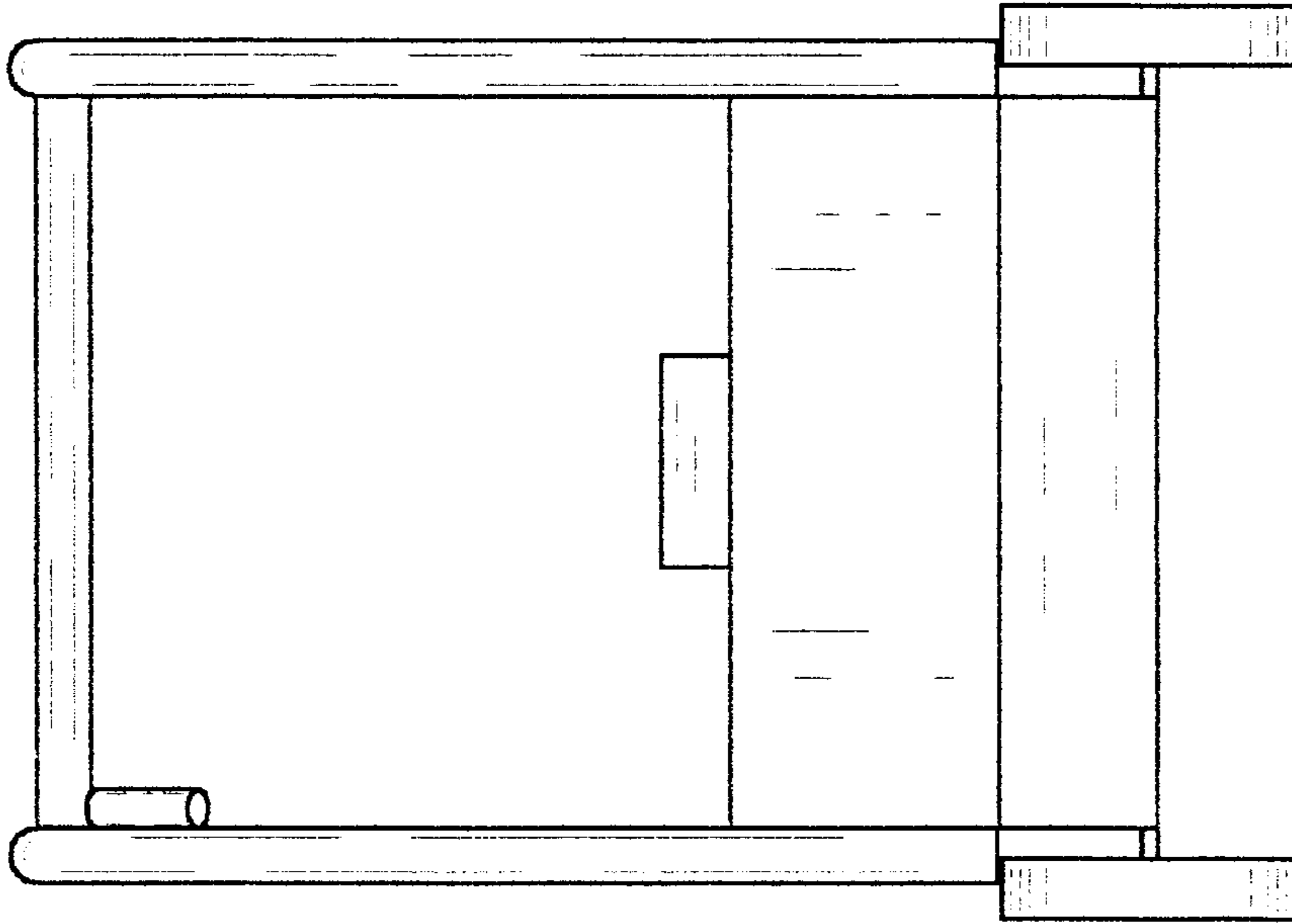


FIG. 2

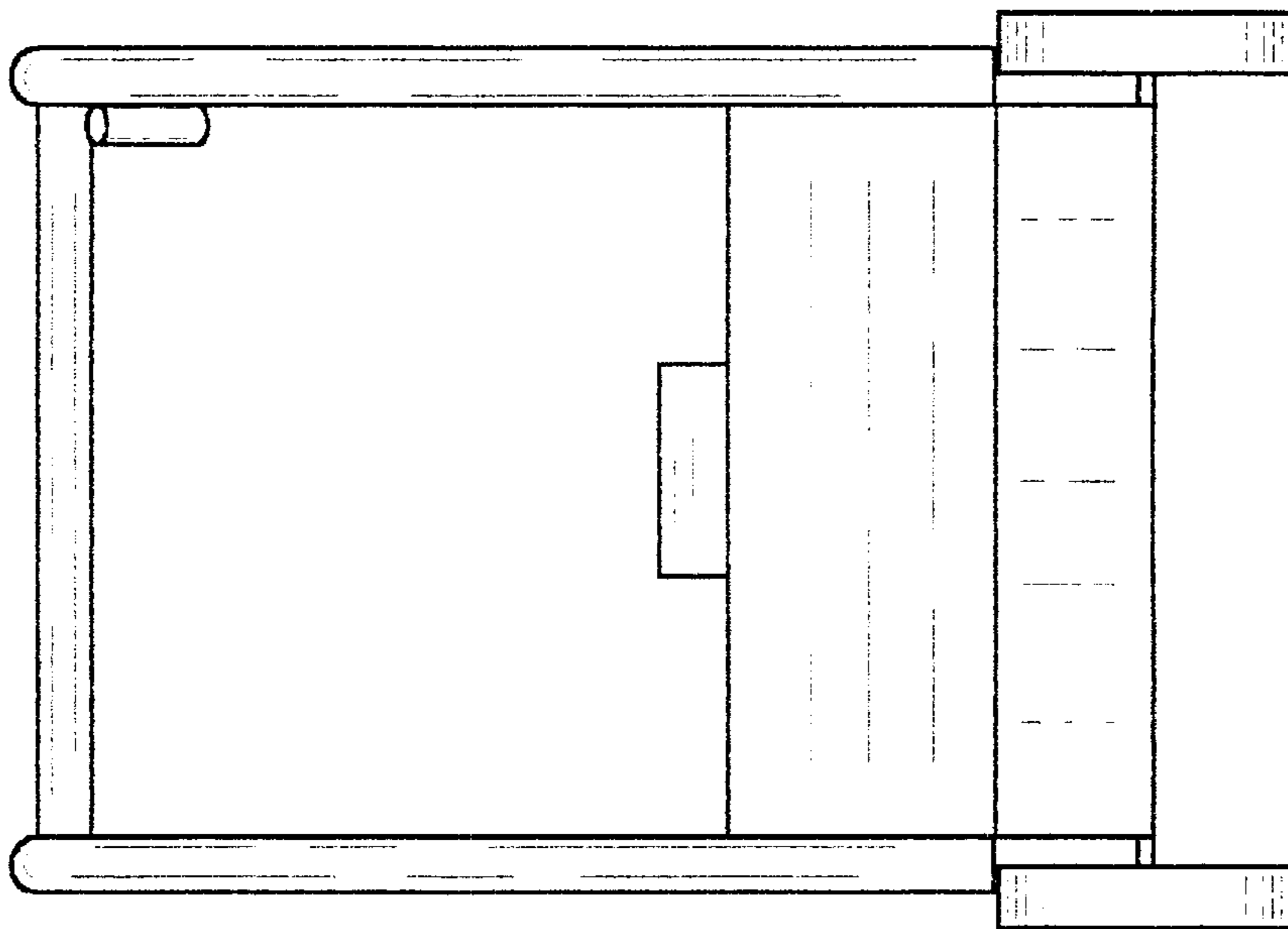


FIG. 1

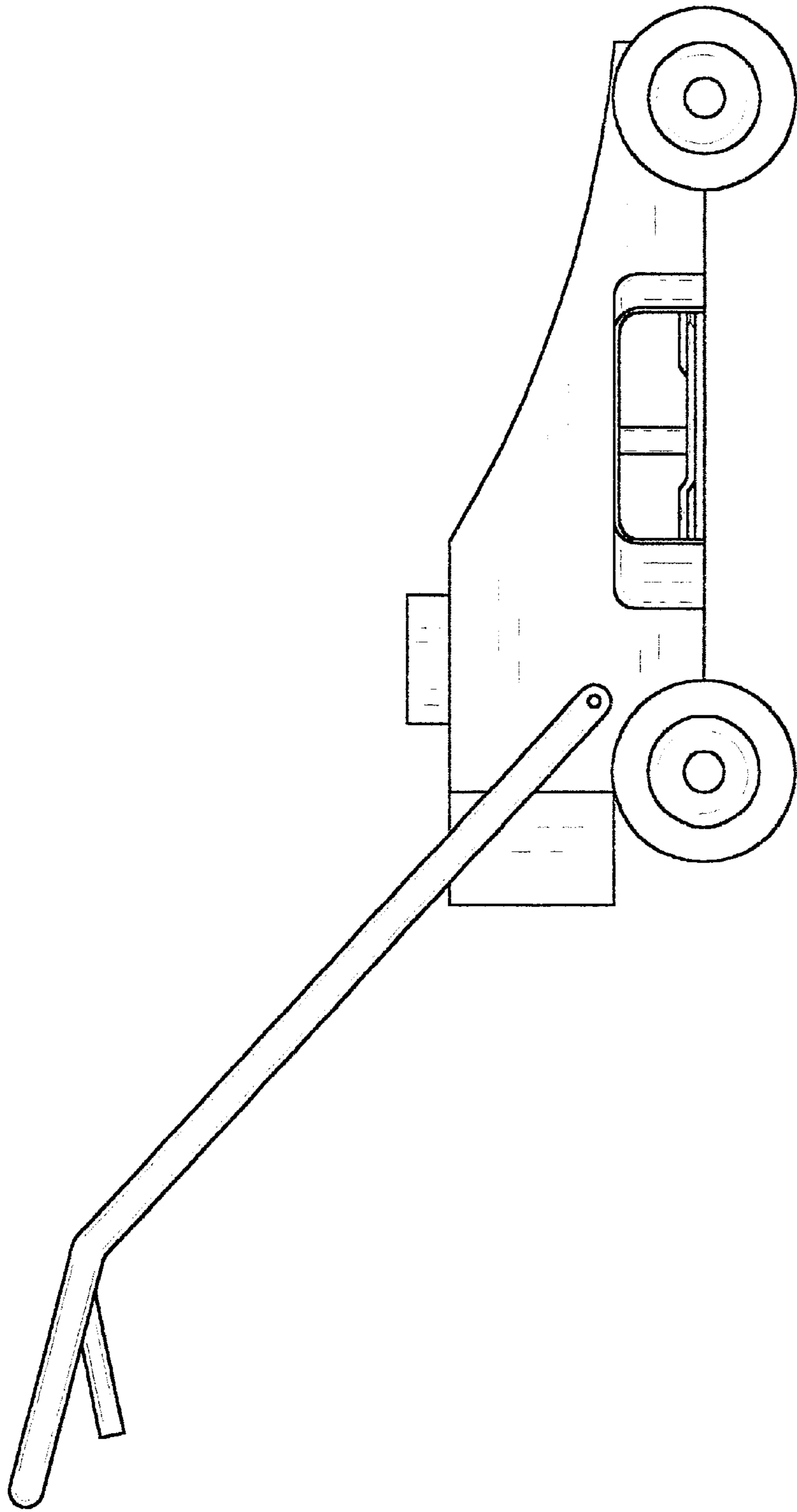


FIG. 3

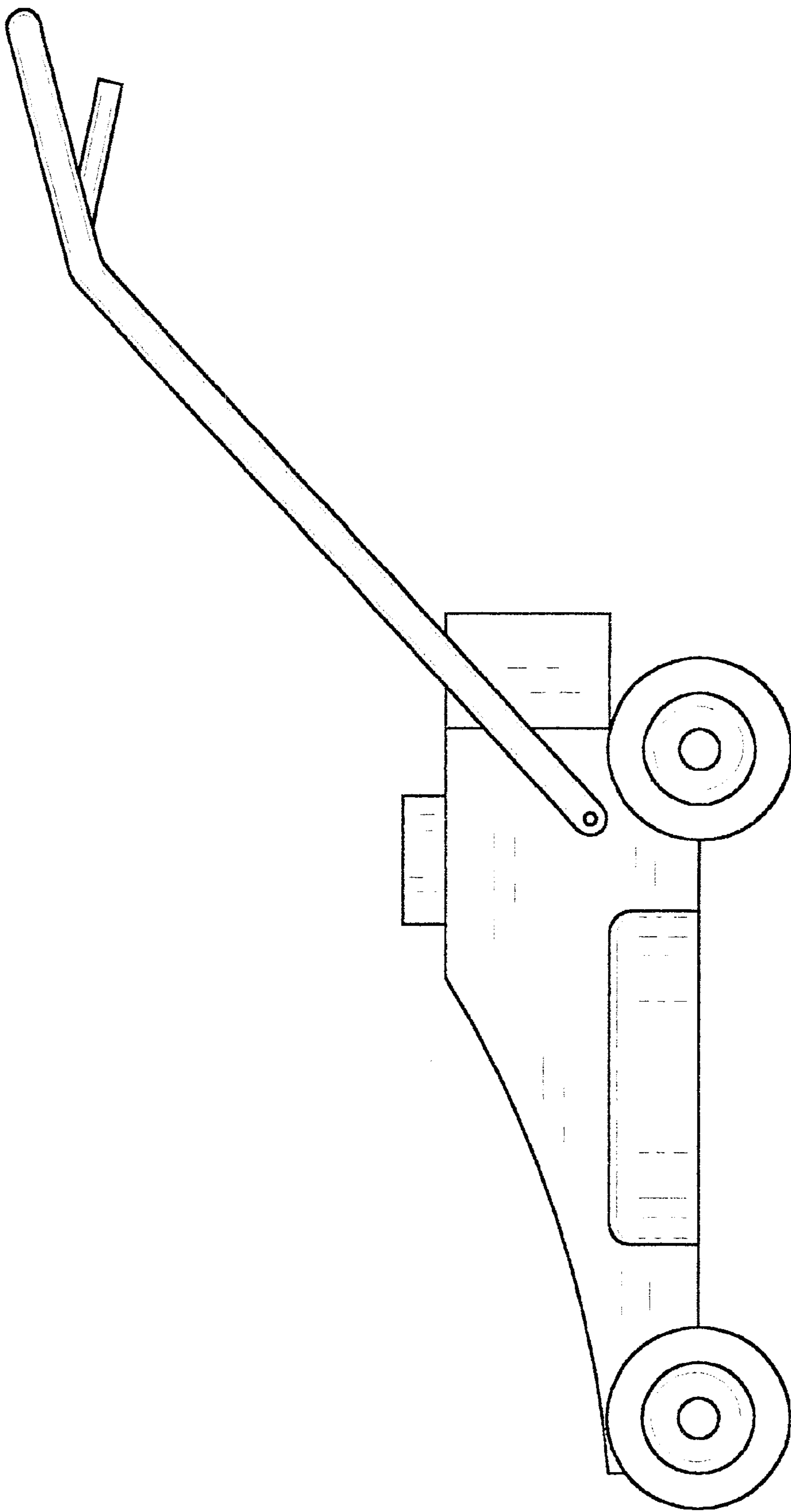


FIG. 4

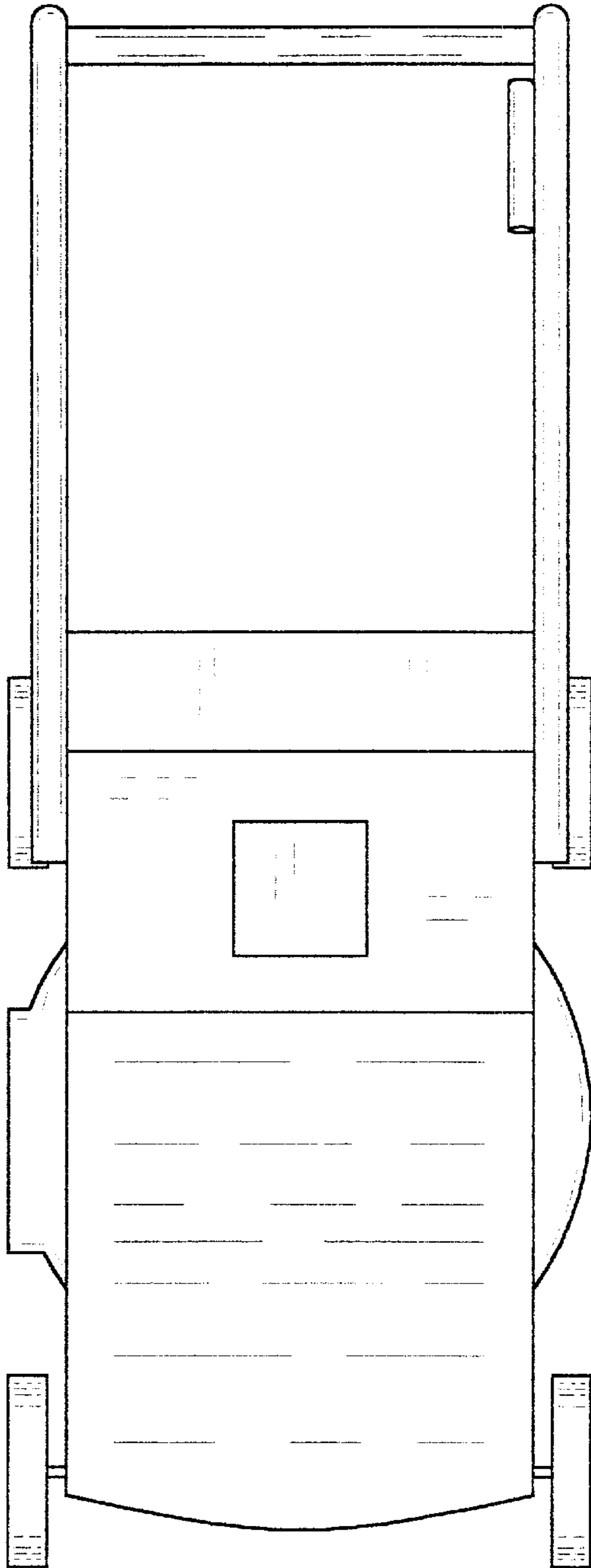


FIG. 5

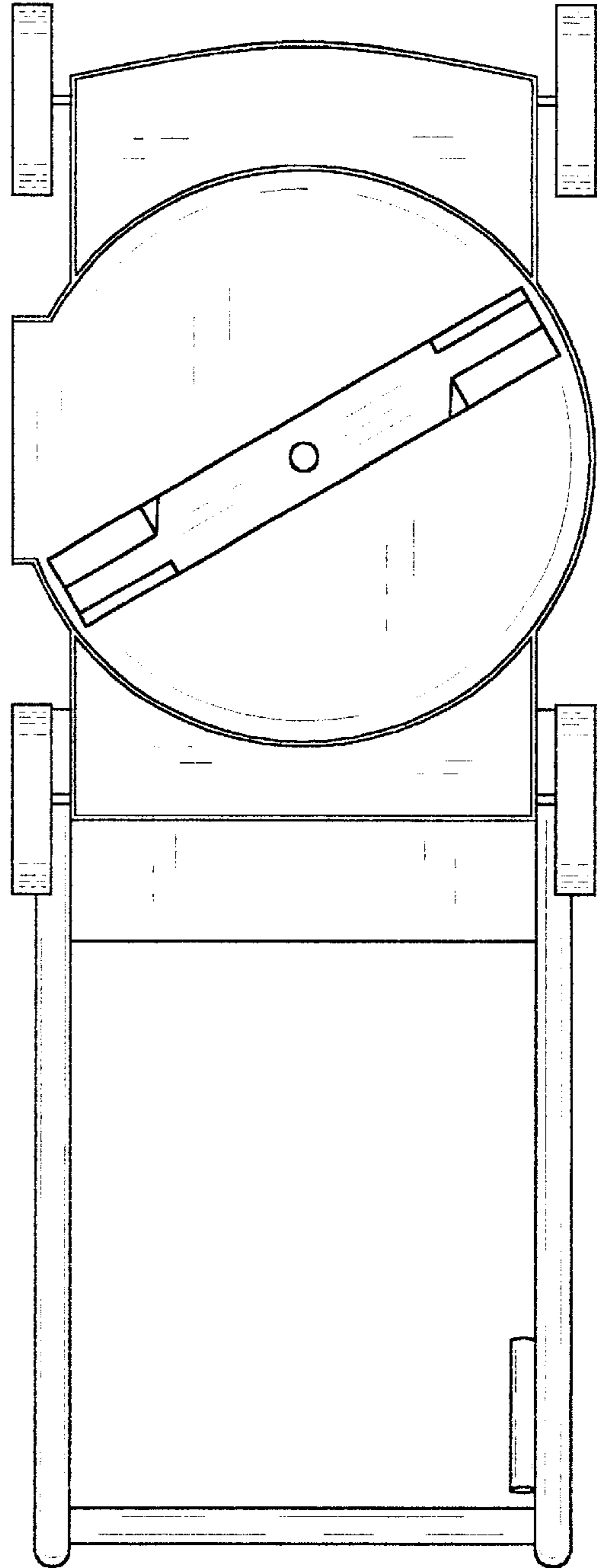


FIG. 6