



US00D460079S

(12) **United States Design Patent**
Brunner et al.

(10) **Patent No.:** **US D460,079 S**
(45) **Date of Patent:** **** Jul. 9, 2002**

(54) **KEY CONFIGURATION FOR A CONTROLLER**

(75) Inventors: **Robert Brunner**, Los Gatos; **Barbara Saucedo**, Palo Alto, both of CA (US); **James Toleman**, Bishops (GB); **Steven M. Horowitz**, Los Altos, CA (US); **Son Jae Park**, Fremont, CA (US); **Leslie E. Leland**; **Michael F. Gifford**, both of San Jose, CA (US); **Jeffrey D. Yaksick**, Sunnyvale, CA (US); **Wallace L. Henry, Jr.**, Hayward, CA (US)

(73) Assignee: **Microsoft Corporation**, Redmond, WA (US)

(**) Term: **14 Years**

(21) Appl. No.: **29/142,584**

(22) Filed: **May 31, 2001**

(51) **LOC (7) Cl.** **14-02**

(52) **U.S. Cl.** **D14/455**

(58) **Field of Search** D14/247, 402, D14/406, 407, 455, 456, 388-401; D13/162, 177, 184, 199; 361/600, 622, 679-687, 724, 725; D21/332; D18/1, 7; 400/472, 479, 484-486, 488, 489

(56) **References Cited**

U.S. PATENT DOCUMENTS

D364,860 S * 12/1995 Giebler et al. D14/455

D388,793 S * 1/1998 Williams et al. D14/455
D389,157 S * 1/1998 Williams et al. D14/455
D389,488 S * 1/1998 Williams et al. D14/455
D398,002 S * 9/1998 Chacon et al. D14/455
D416,881 S * 11/1999 Ross D14/455
D451,092 S * 11/2001 Park et al. D14/455

* cited by examiner

Primary Examiner—Kay H. Chin

(74) *Attorney, Agent, or Firm*—Banner & Witcoff, Ltd.

(57) **CLAIM**

The ornamental design for a key configuration for a controller, as shown and described.

DESCRIPTION

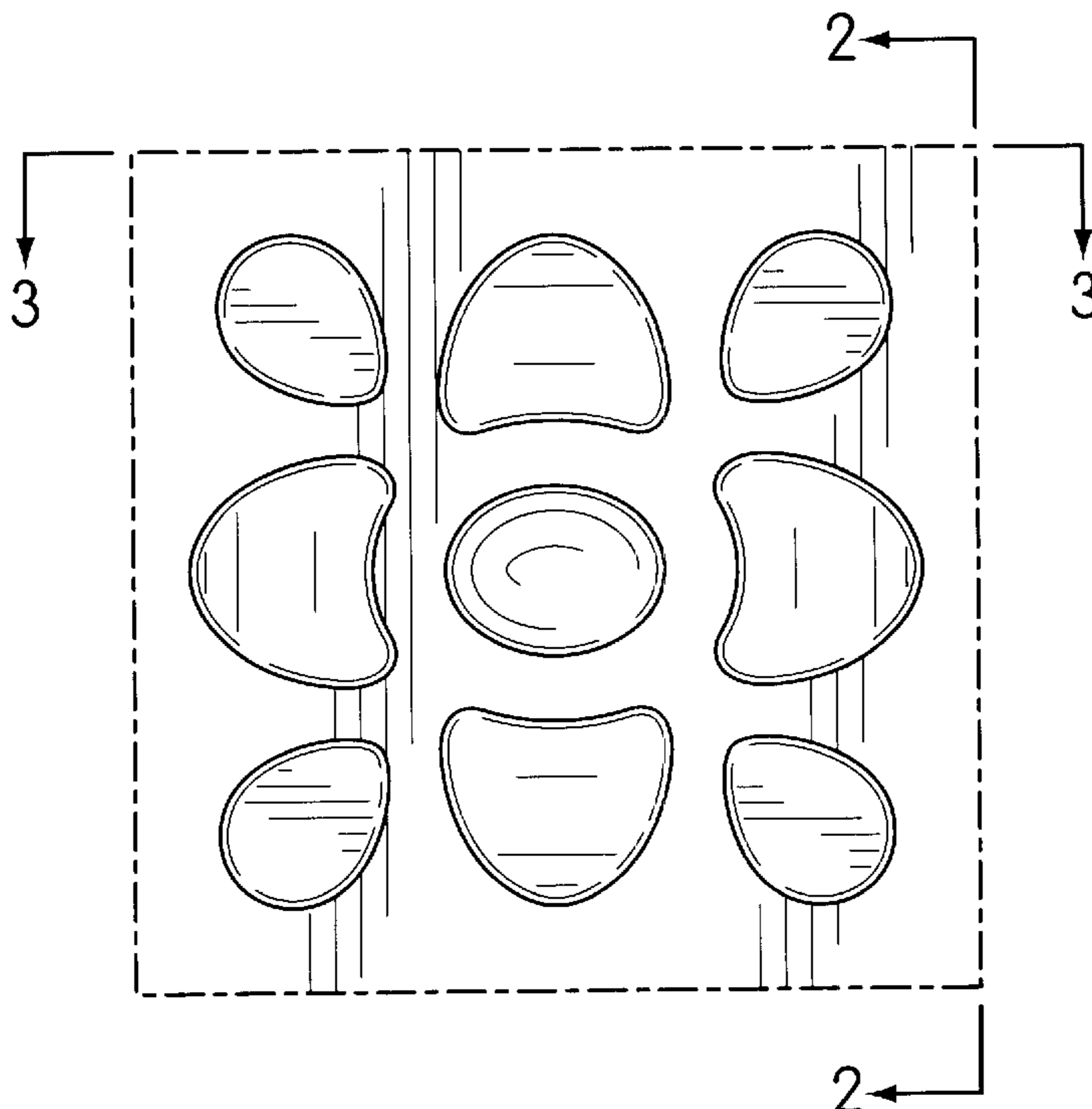
FIG. 1 is a top plan view of a key configuration for a controller showing our new design;

FIG. 2 is a first side view thereof taken from Line 2—2 of FIG. 1, the opposing side view being a mirror image thereof; and,

FIG. 3 is a second side view thereof taken from Line 3—3 of FIG. 1, the opposing side view being a mirror image thereof.

The broken line showing of the boundary of the claimed region is for illustrative purposes only and forms no part of the claimed design.

1 Claim, 1 Drawing Sheet



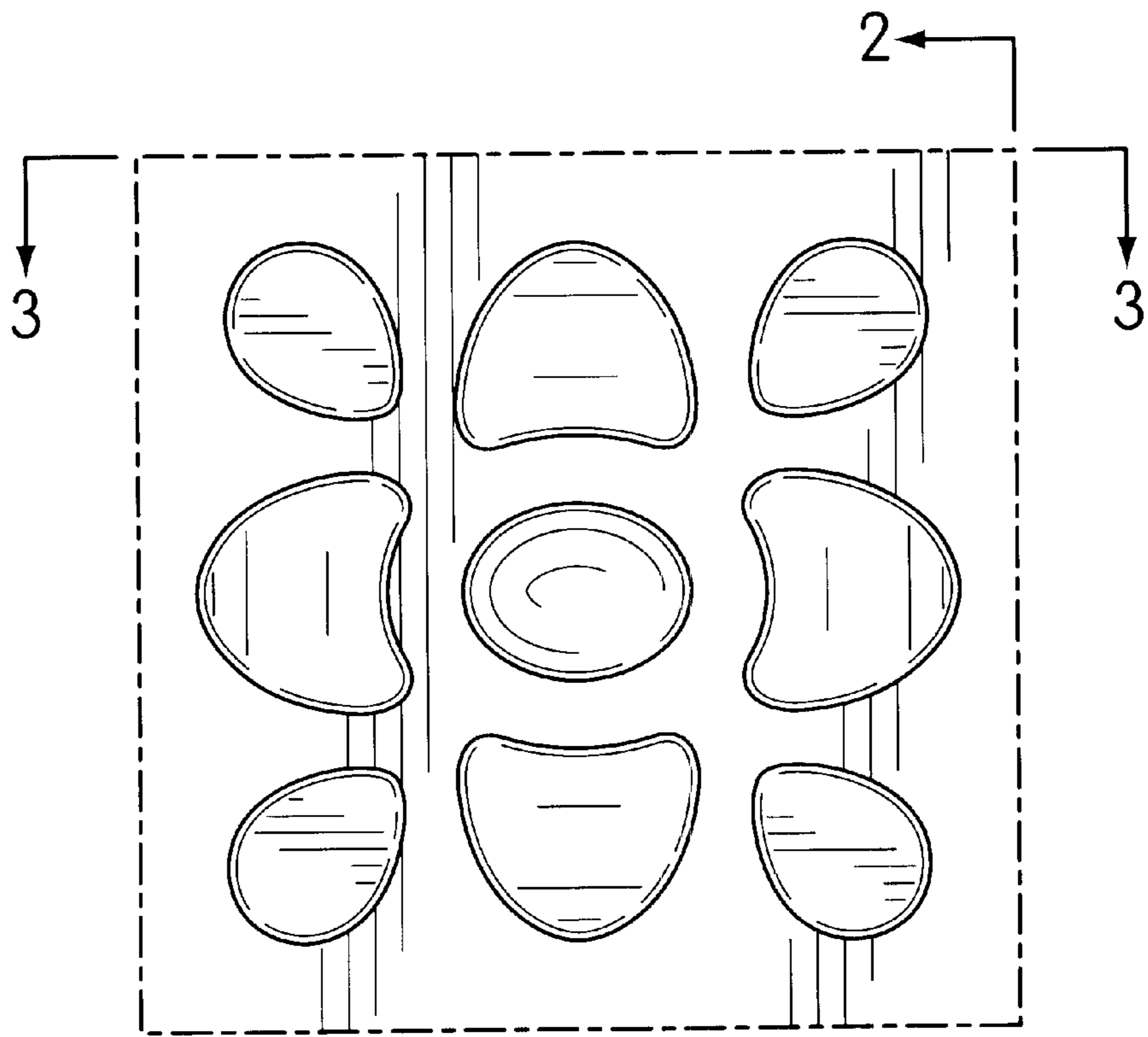


FIG. 1

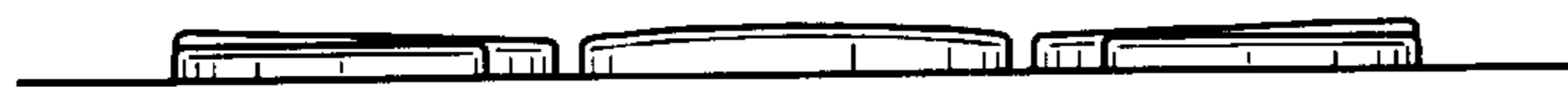


FIG. 2

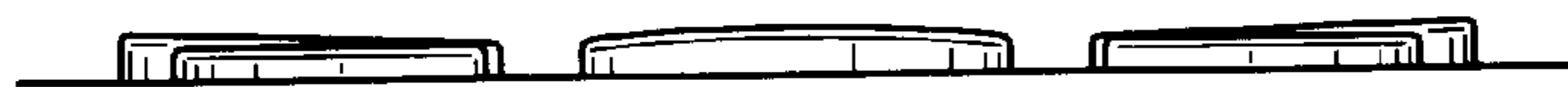


FIG. 3