



US00D460077S

(12) **United States Design Patent**
Mosquera

(10) **Patent No.:** **US D460,077 S**

(45) **Date of Patent:** **** Jul. 9, 2002**

(54) **HOUSING HAVING AN ELECTRICAL CONNECTOR FOR ATTACHMENT OF ADDITIONAL MEMORY TO A HAND-HELD COMPUTER**

(76) Inventor: **Jorge Mosquera**, 4954 N. Drake, Chicago, IL (US) 60625

(**) Term: **14 Years**

(21) Appl. No.: **29/145,010**

(22) Filed: **Jul. 11, 2001**

(51) **LOC (7) Cl.** **14-02**

(52) **U.S. Cl.** **D14/434; D14/341**

(58) **Field of Search** D14/341-346, D14/434, 435, 399, 338, 432-433, 439, 440; D18/1, 7, 11, 12; 345/156, 168, 169, 172, 173, 81; 349/12; 361/680-686; 395/326

(56) **References Cited**

U.S. PATENT DOCUMENTS

D354,947 S	*	1/1995	Pearl	D14/341
D356,546 S	*	3/1995	Pearl	D14/341
D391,234 S	*	2/1998	Chacon et al.	D14/341
D392,259 S	*	3/1998	Simmon	D14/341
D419,545 S	*	1/2000	Krantz et al.	D14/426
D443,267 S	*	6/2001	Truong et al.	D14/431
D445,106 S	*	7/2001	Mosgrove et al.	D14/341

* cited by examiner

Primary Examiner—Kay H. Chin
(74) *Attorney, Agent, or Firm*—Patents+TMS, P.C.

(57) **CLAIM**

The ornamental design for a housing having an electrical connector for attachment of additional memory to a hand-held computer, as shown.

DESCRIPTION

FIG. 1 is a perspective view of a housing having an electrical connector for attachment of additional memory to a hand-held computer of the present invention;
FIG. 2 is a top view thereof;
FIG. 3 is a bottom view thereof;
FIG. 4 is a front view thereof;
FIG. 5 is a rear view thereof;
FIG. 6 is a side view thereof;
FIG. 7 is a perspective view of a housing having an electrical connector for attachment of additional memory to a hand-held computer of the present invention;
FIG. 8 is a top view thereof;
FIG. 9 is a bottom view thereof;
FIG. 10 is a front view thereof;
FIG. 11 is a rear view thereof; and,
FIG. 12 is a side view thereof.

1 Claim, 3 Drawing Sheets

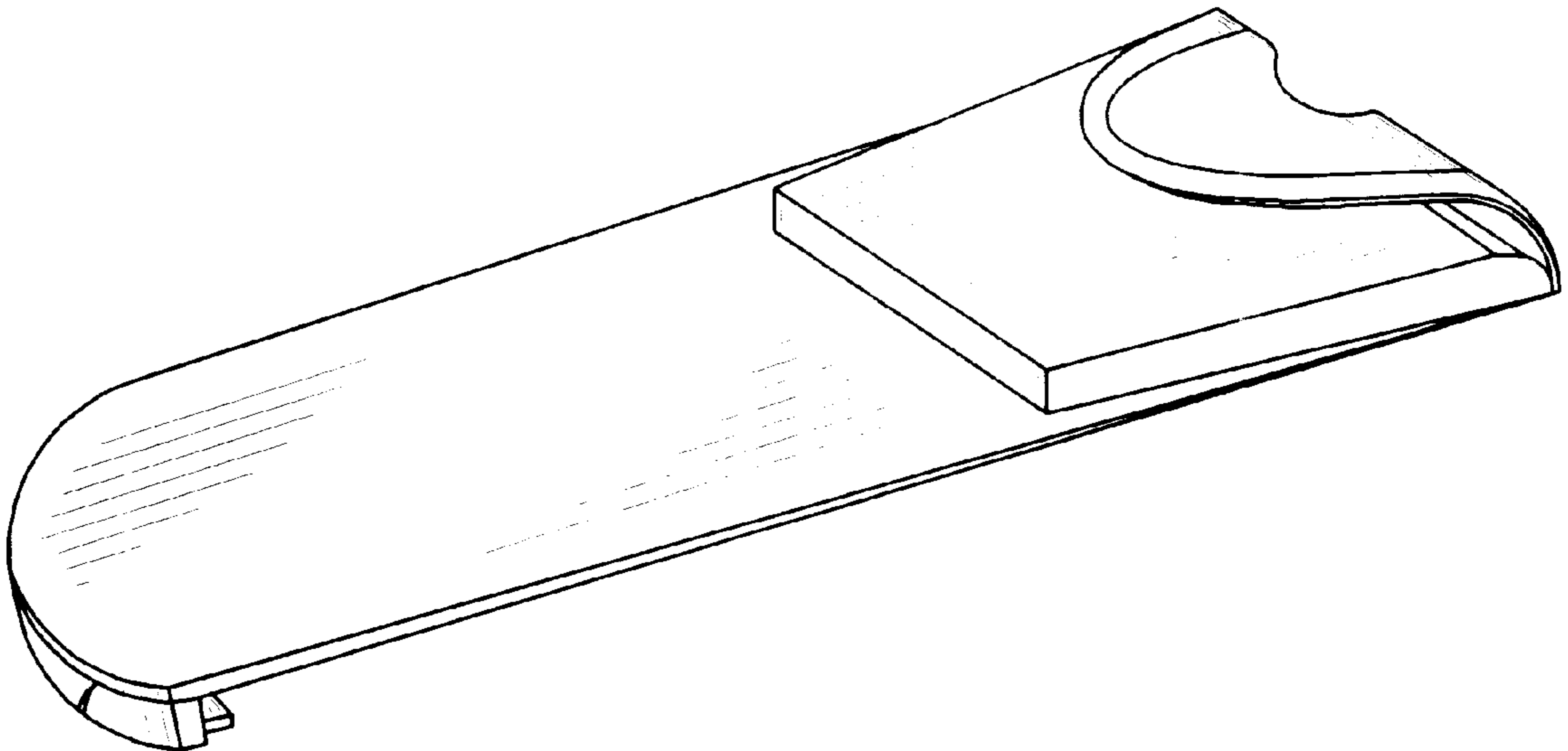


FIG. 1

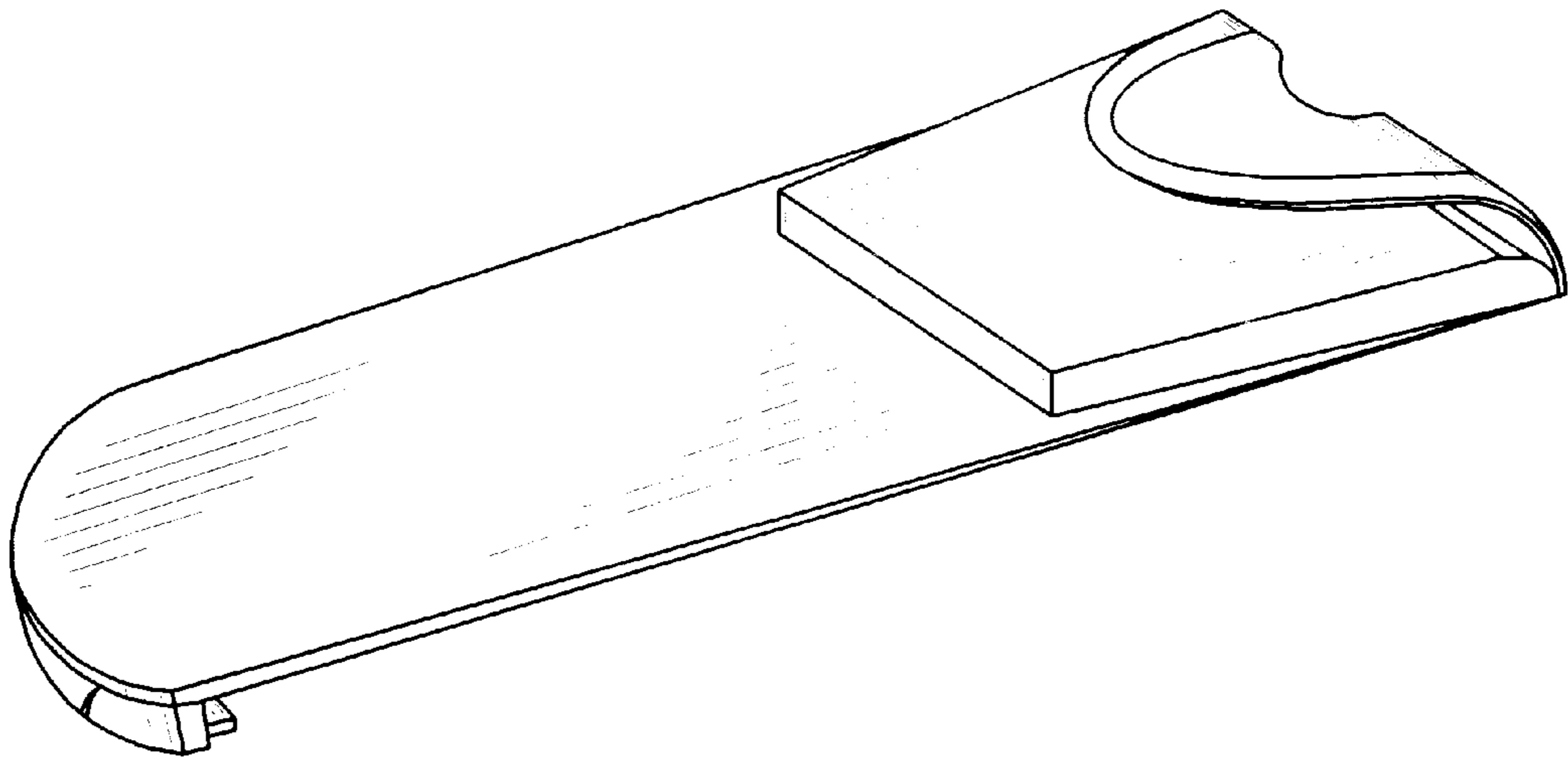


FIG. 2

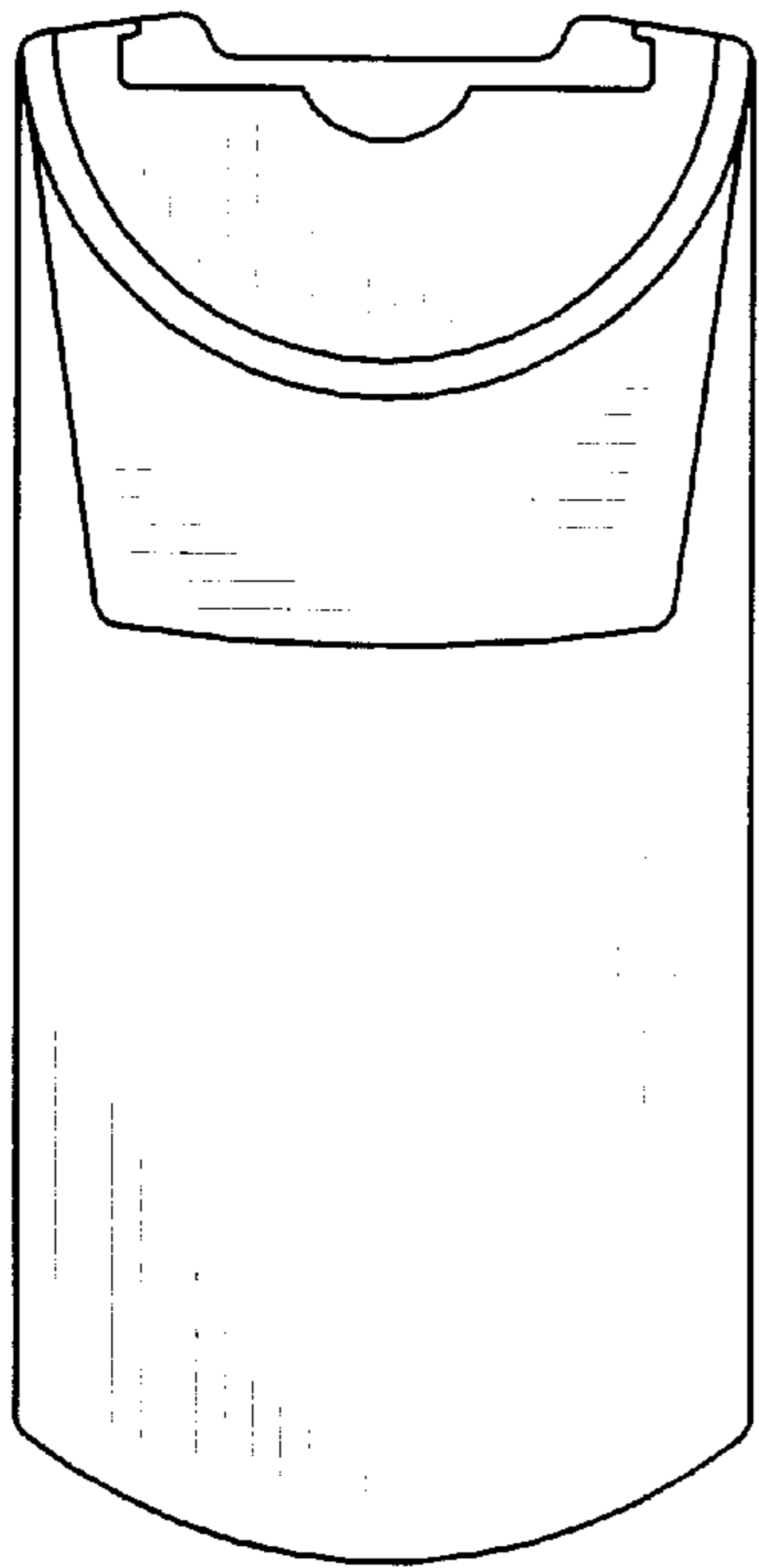


FIG. 3

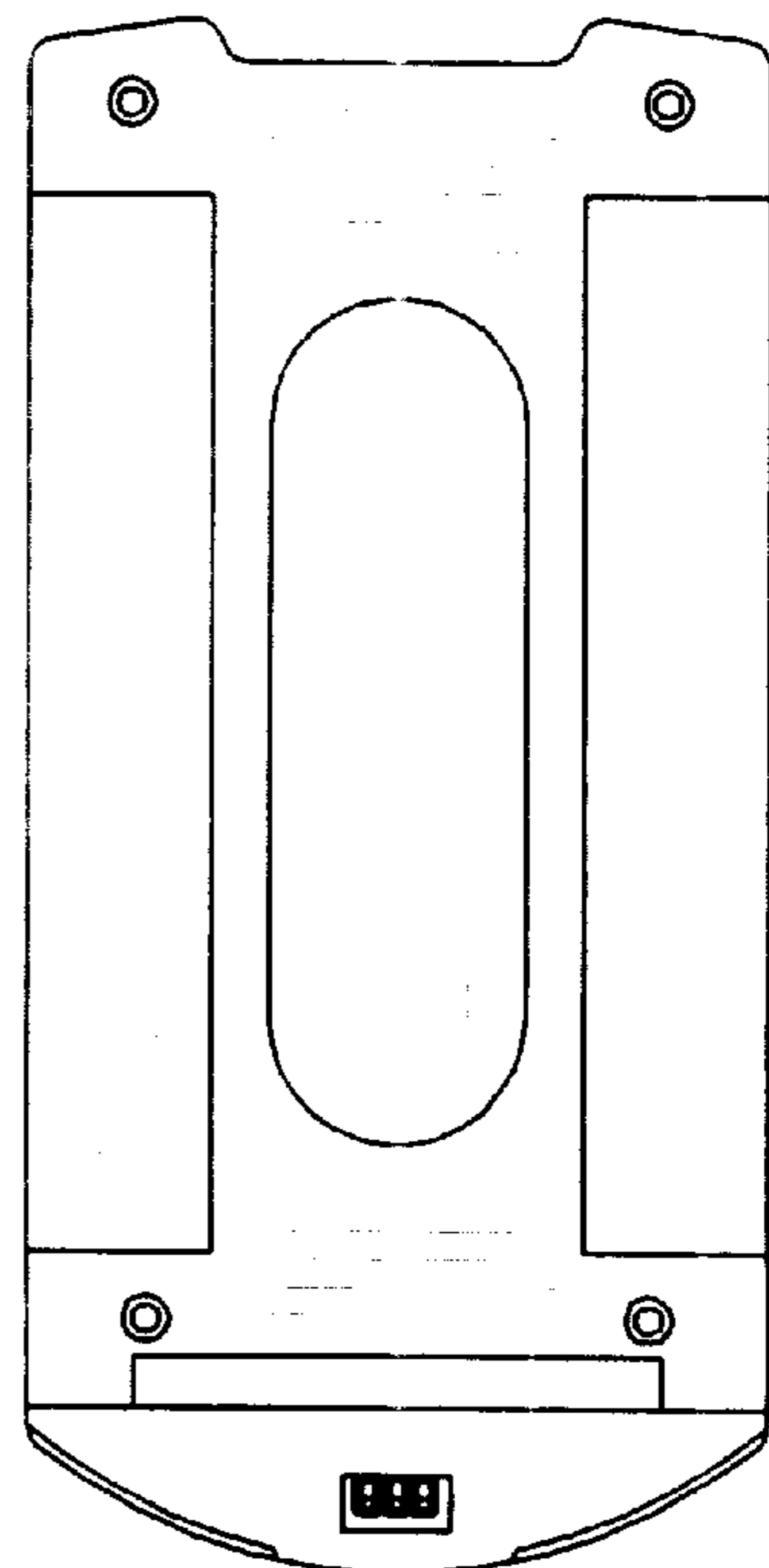


FIG. 4

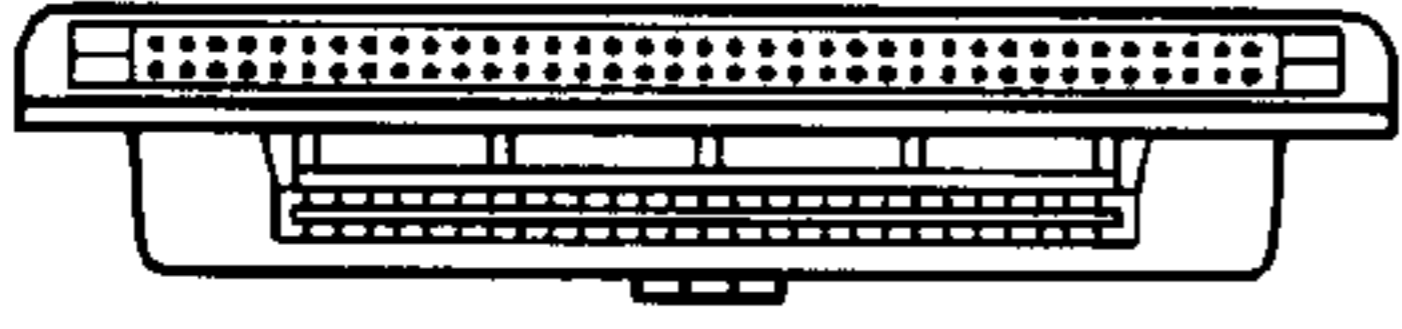


FIG. 5

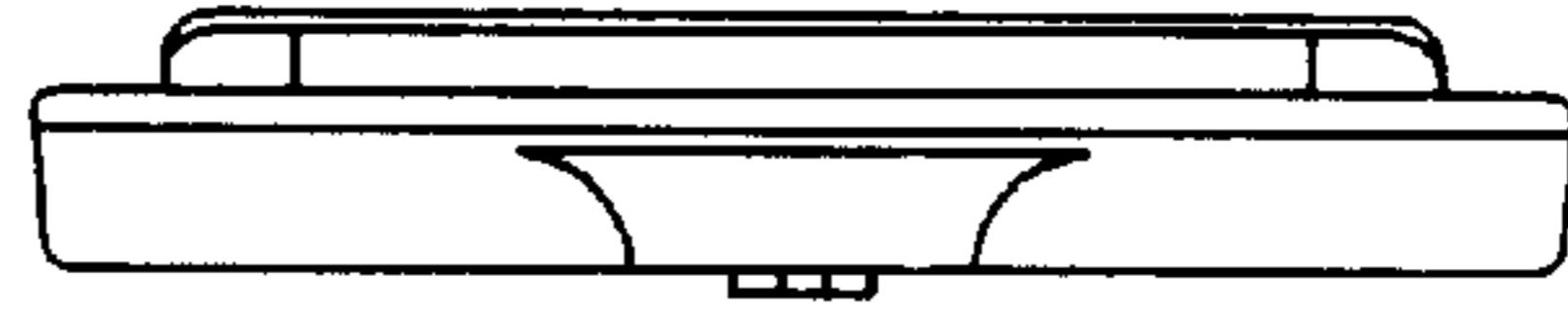


FIG. 6

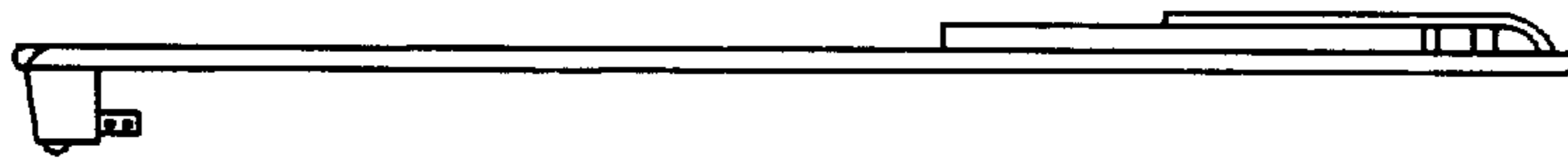


FIG. 7

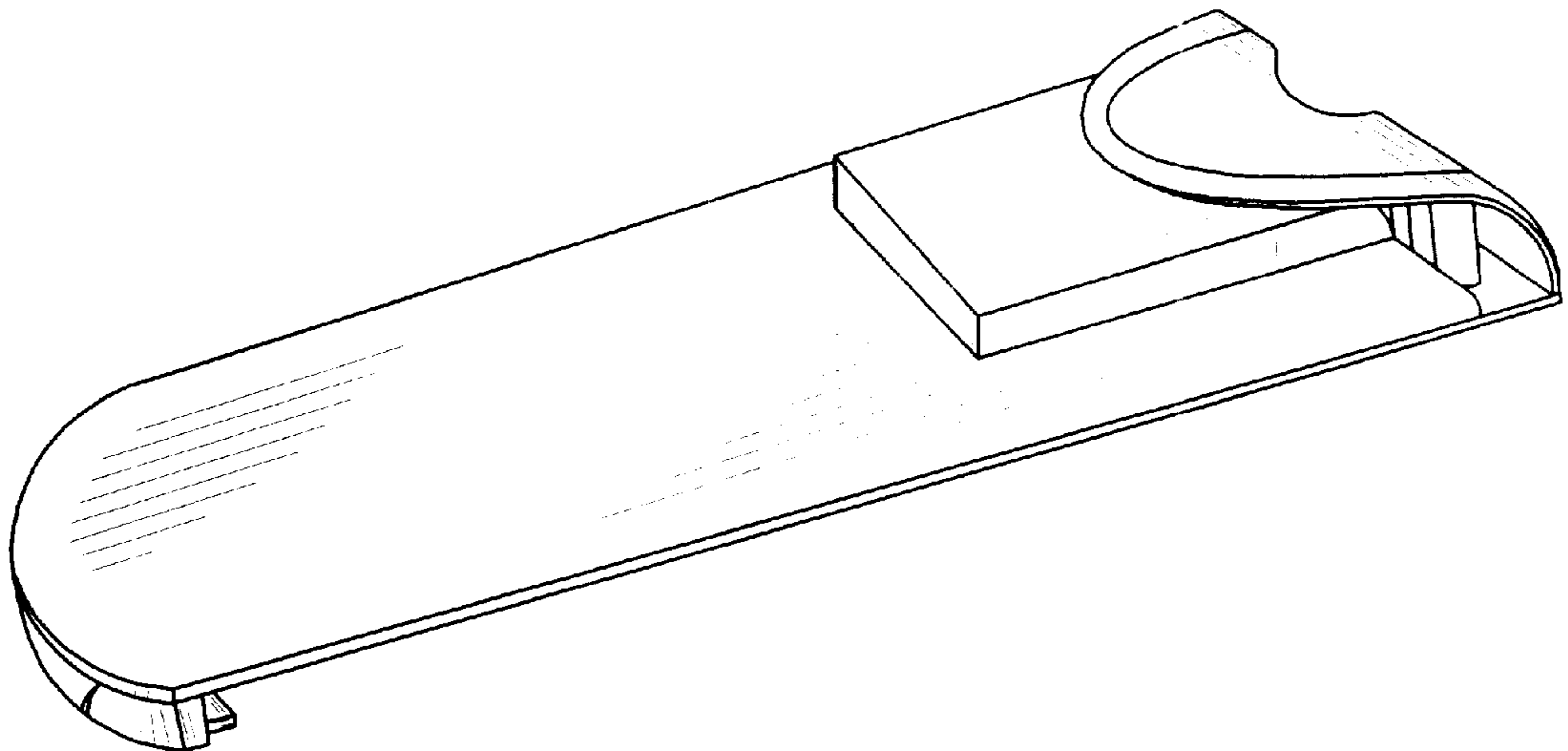


FIG. 8

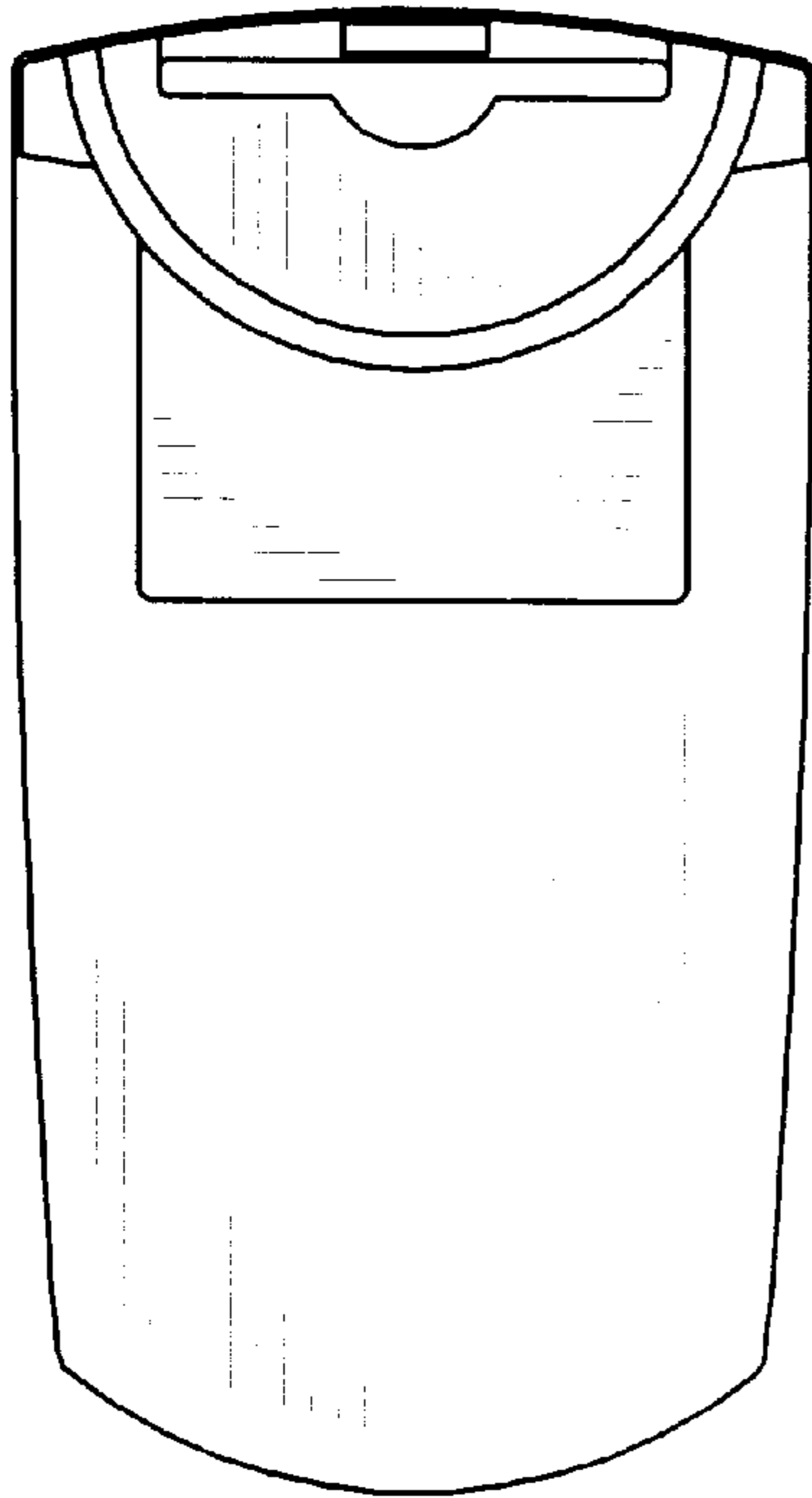


FIG. 9

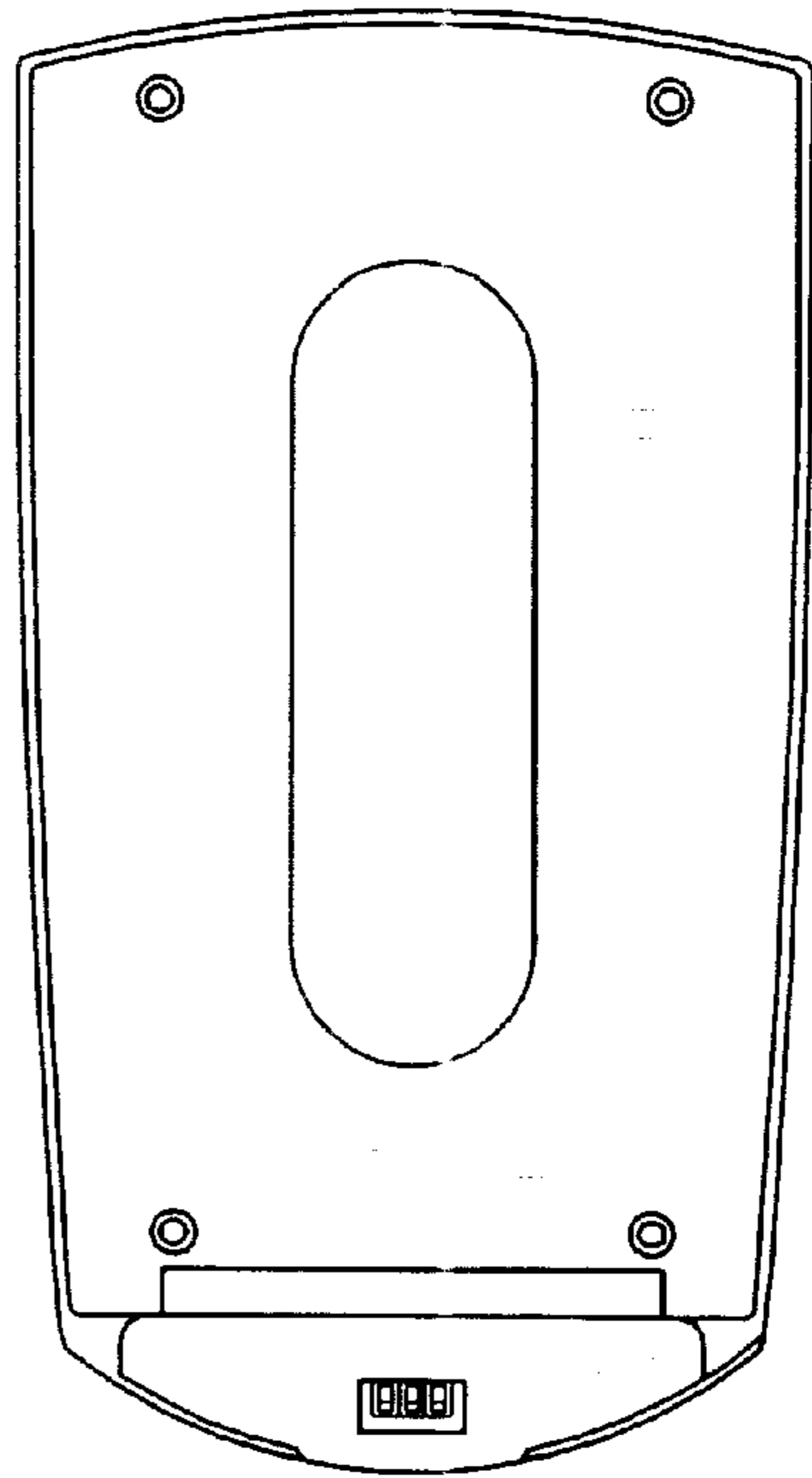


FIG. 10

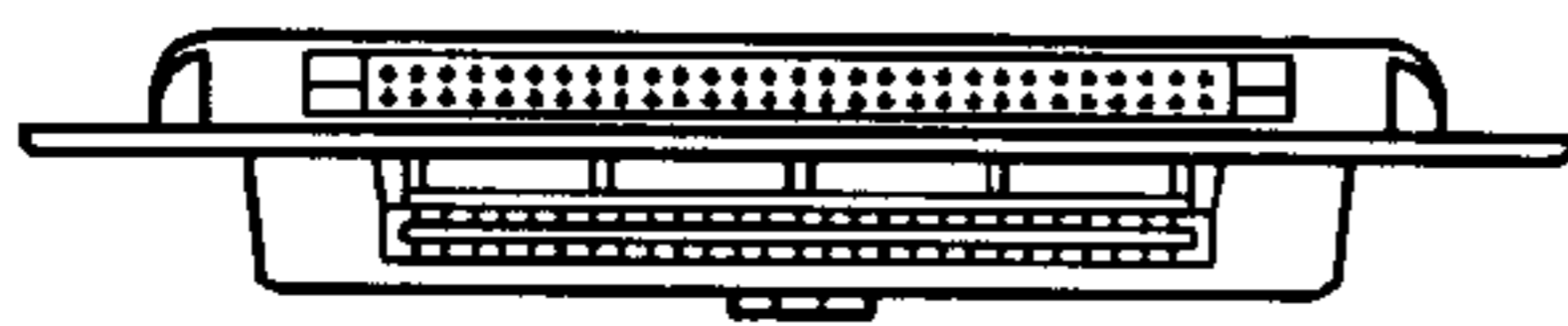


FIG. 11

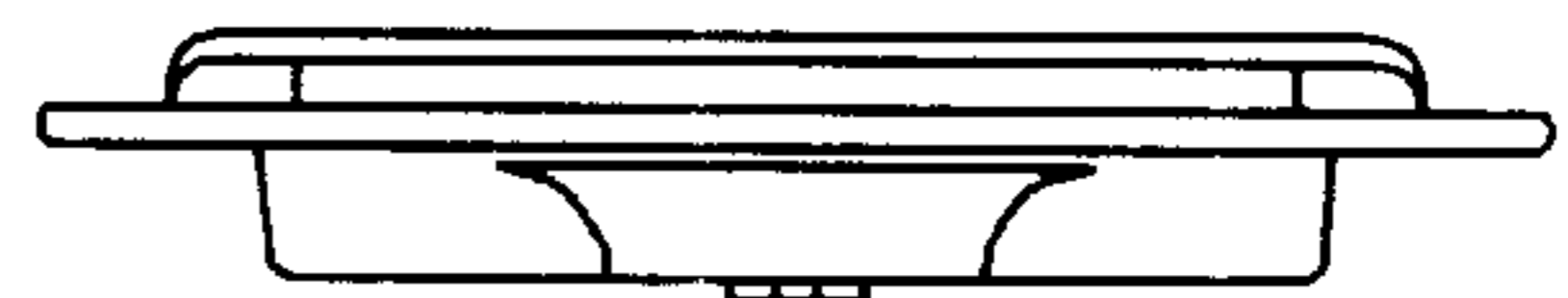


FIG. 12

