



US00D460070S

(12) **United States Design Patent**  
**Chang**

(10) **Patent No.:** **US D460,070 S**

(45) **Date of Patent:** **\*\* Jul. 9, 2002**

(54) **PORTABLE KEYBOARD**

(75) Inventor: **Cheng-Chung Chang**, Taipei Shien (TW)

(73) Assignee: **Chain Tay Technology Co., Ltd.**, Taipei Hsien (TW)

(\*\*) Term: **14 Years**

(21) Appl. No.: **29/145,063**

(22) Filed: **Jul. 17, 2001**

(51) **LOC (7) Cl.** ..... **14-02**

(52) **U.S. Cl.** ..... **D14/392**

(58) **Field of Search** ..... D14/341, 345, D14/391, 392, 396; D18/1, 2, 6, 7, 17 A, 17 C; 200/5 A, 5 R, 6 A, 6 R; 235/145 A, 145 R; 341/22, 23; 345/168, 160; 400/484-486, 488, 489, 492

(56) **References Cited**

**U.S. PATENT DOCUMENTS**

D348,437 S \* 7/1994 Chan ..... D14/345

D428,413 S \* 7/2000 Fullerton ..... D14/345

D430,871 S \* 9/2000 Chu et al. .... D14/345

D435,550 S \* 12/2000 Chu et al. .... D14/345

\* cited by examiner

*Primary Examiner*—Freda Nunn

(74) *Attorney, Agent, or Firm*—Rosenberg, Klein & Lee

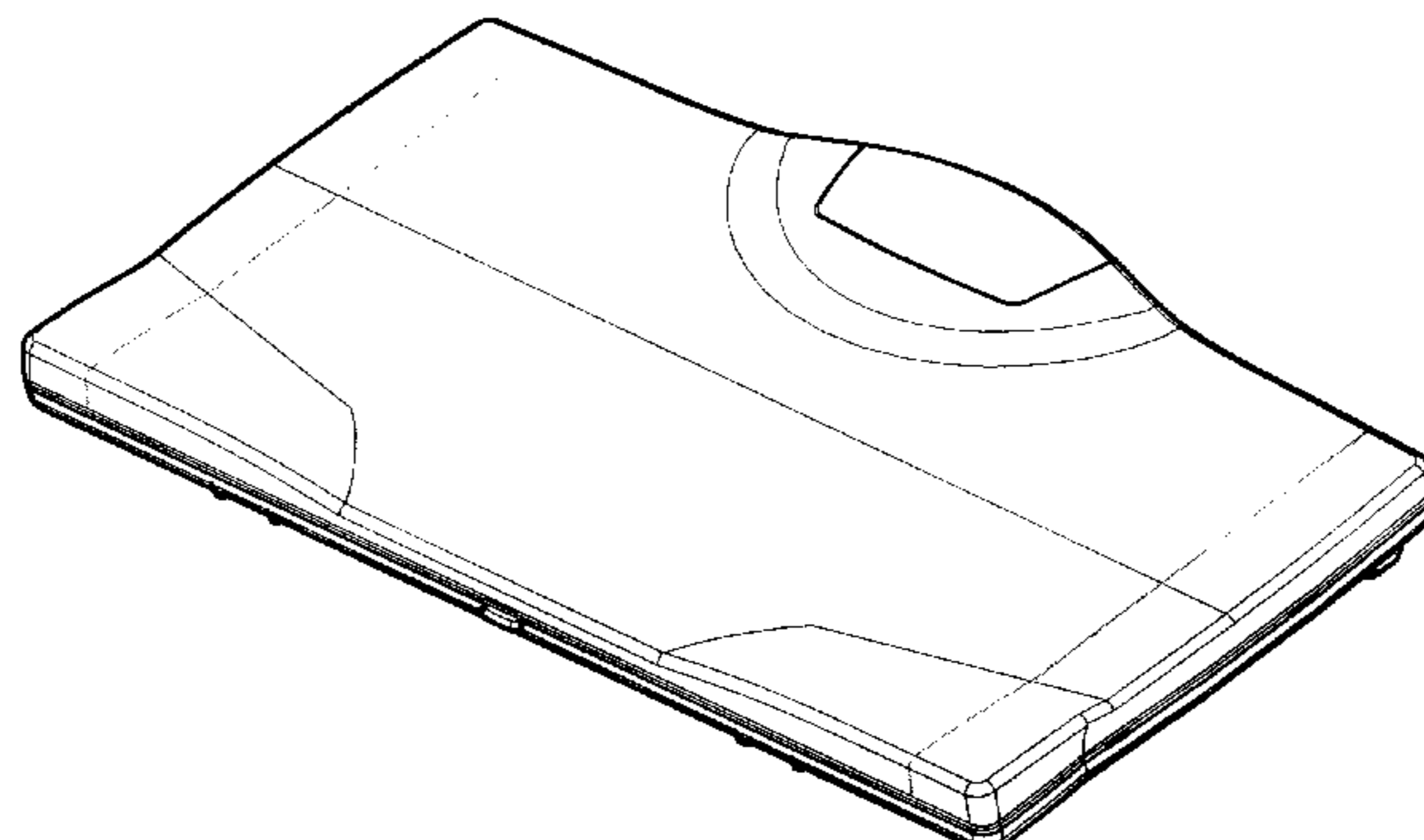
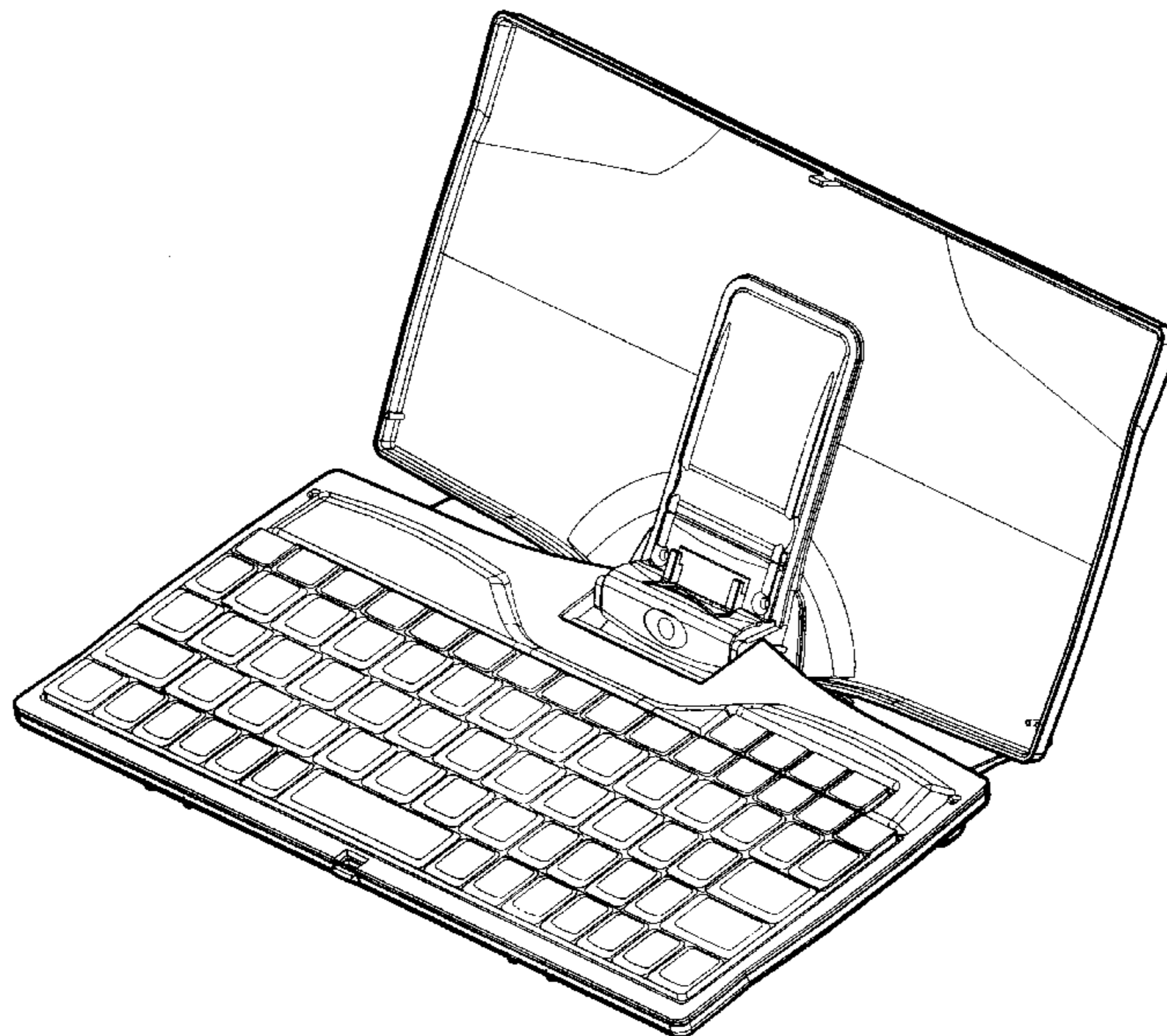
(57) **CLAIM**

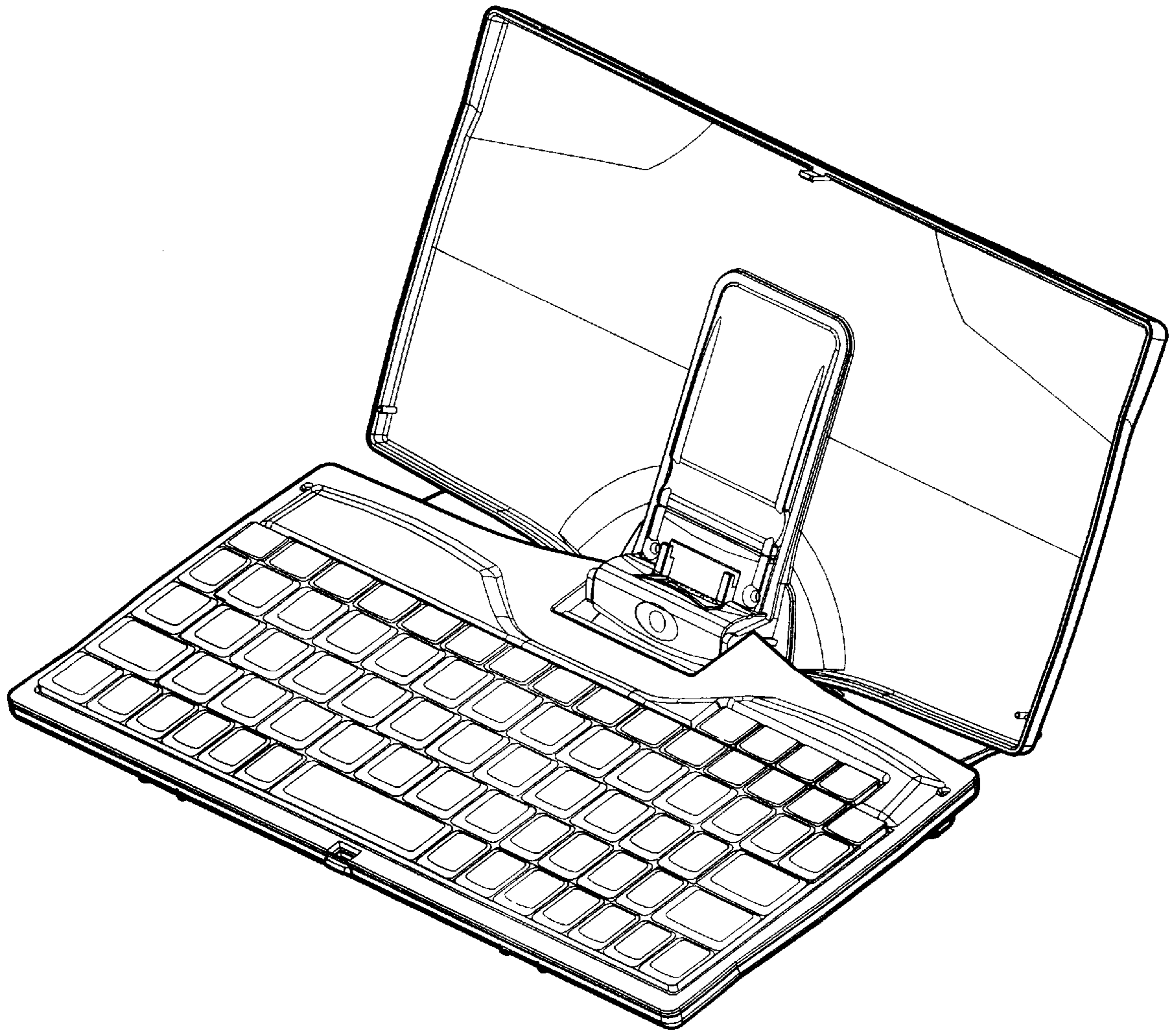
The ornamental design for a portable keyboard, as shown.

**DESCRIPTION**

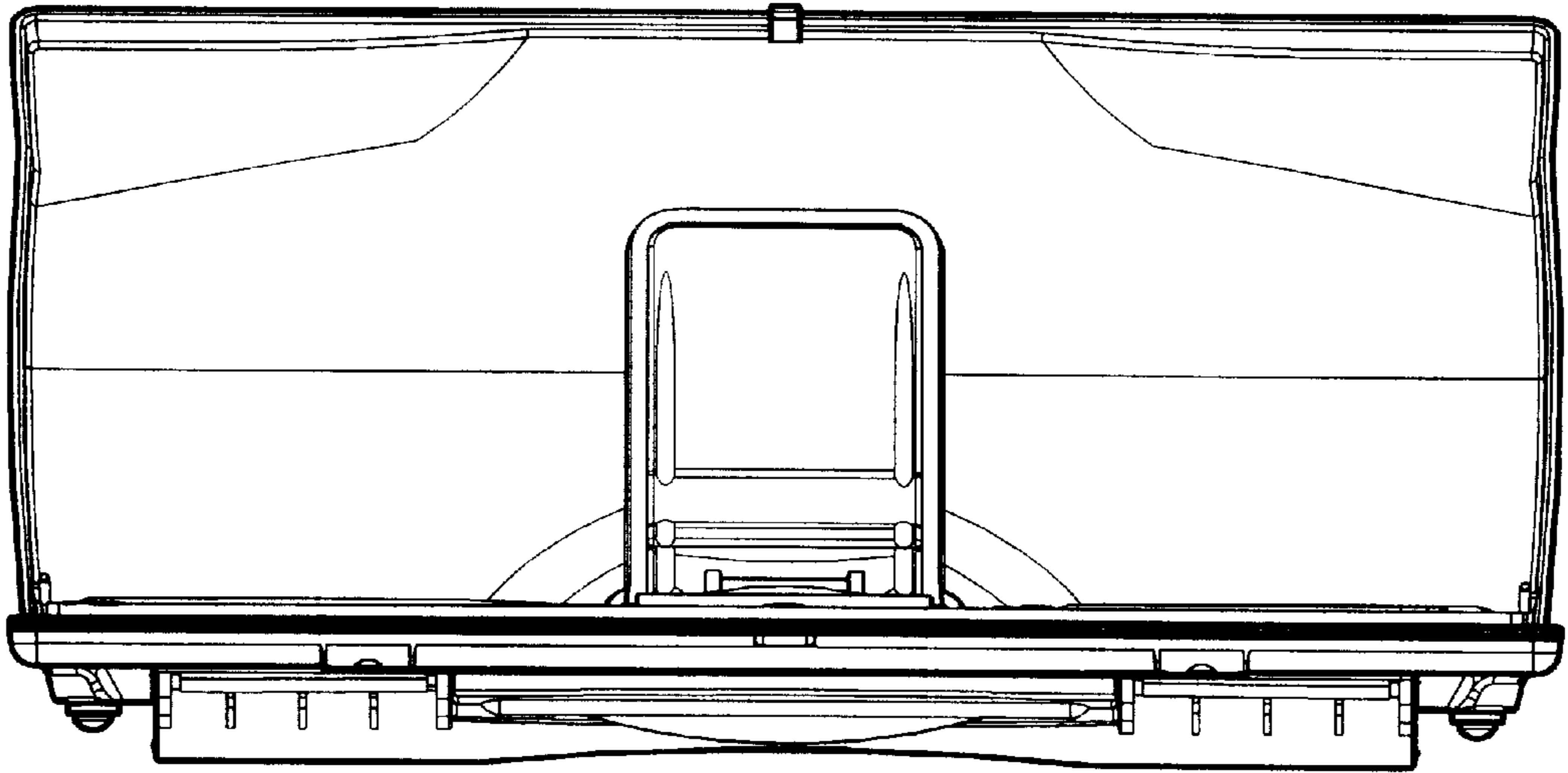
FIG. 1 is a front right perspective view of a portable keyboard showing my new design; FIG. 2 is a front view thereof; FIG. 3 is a rear view thereof; FIG. 4 is a left side elevation view thereof; FIG. 5 is a right side elevation view thereof; FIG. 6 is a top plan view thereof; FIG. 7 is a bottom plan view thereof; and, FIG. 8 is a closed view thereof.

**1 Claim, 6 Drawing Sheets**

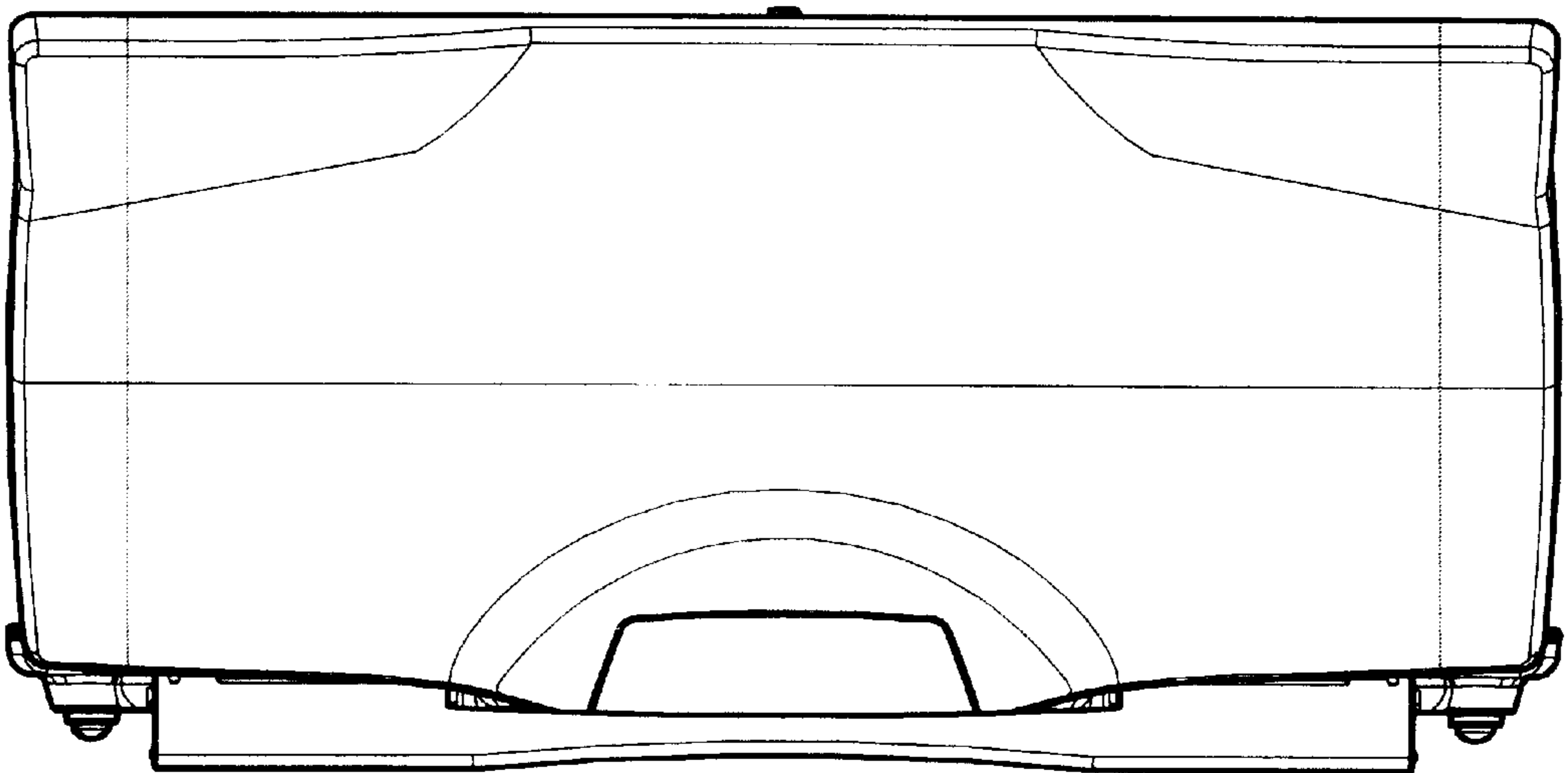




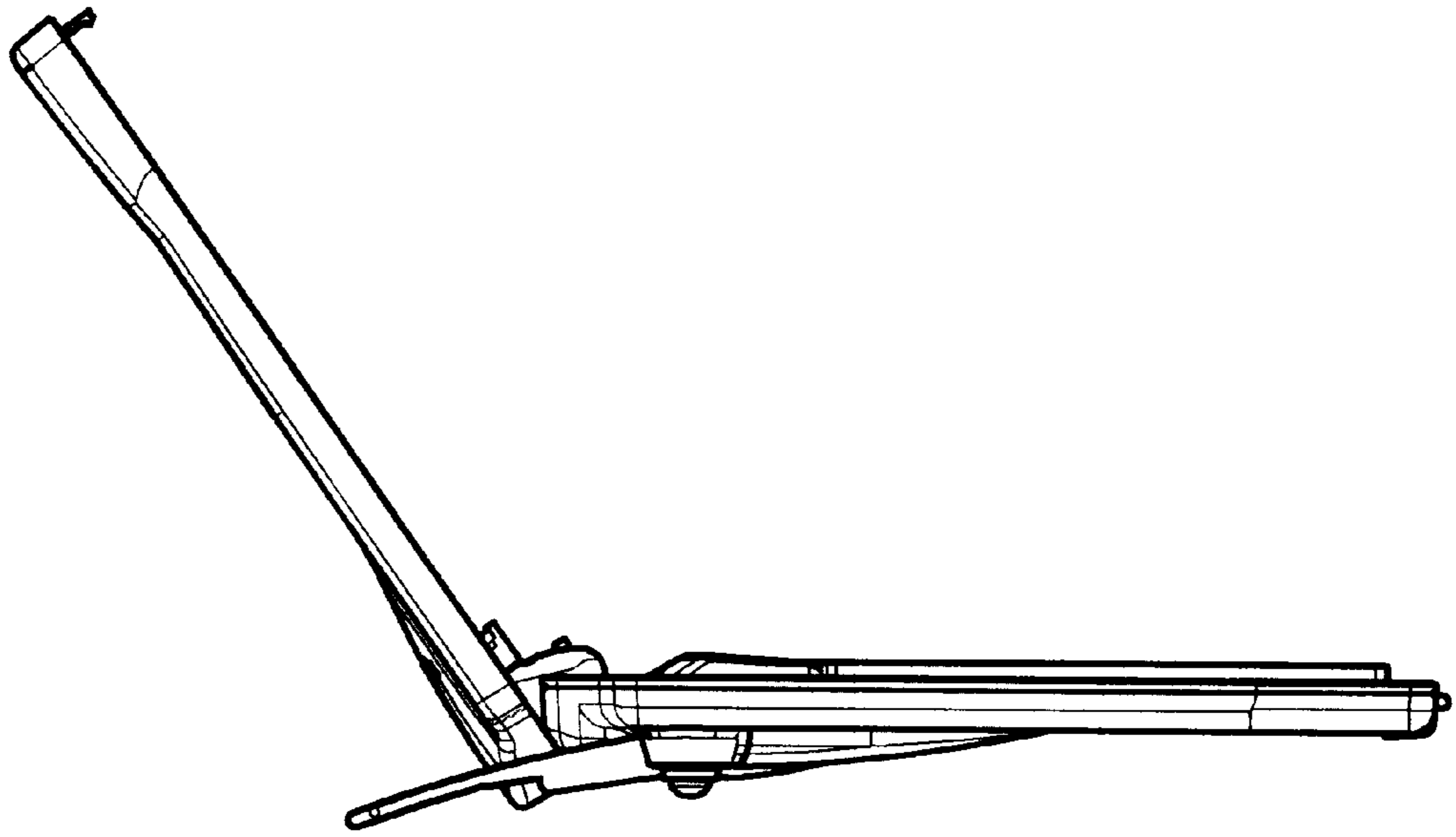
*FIG. 1*



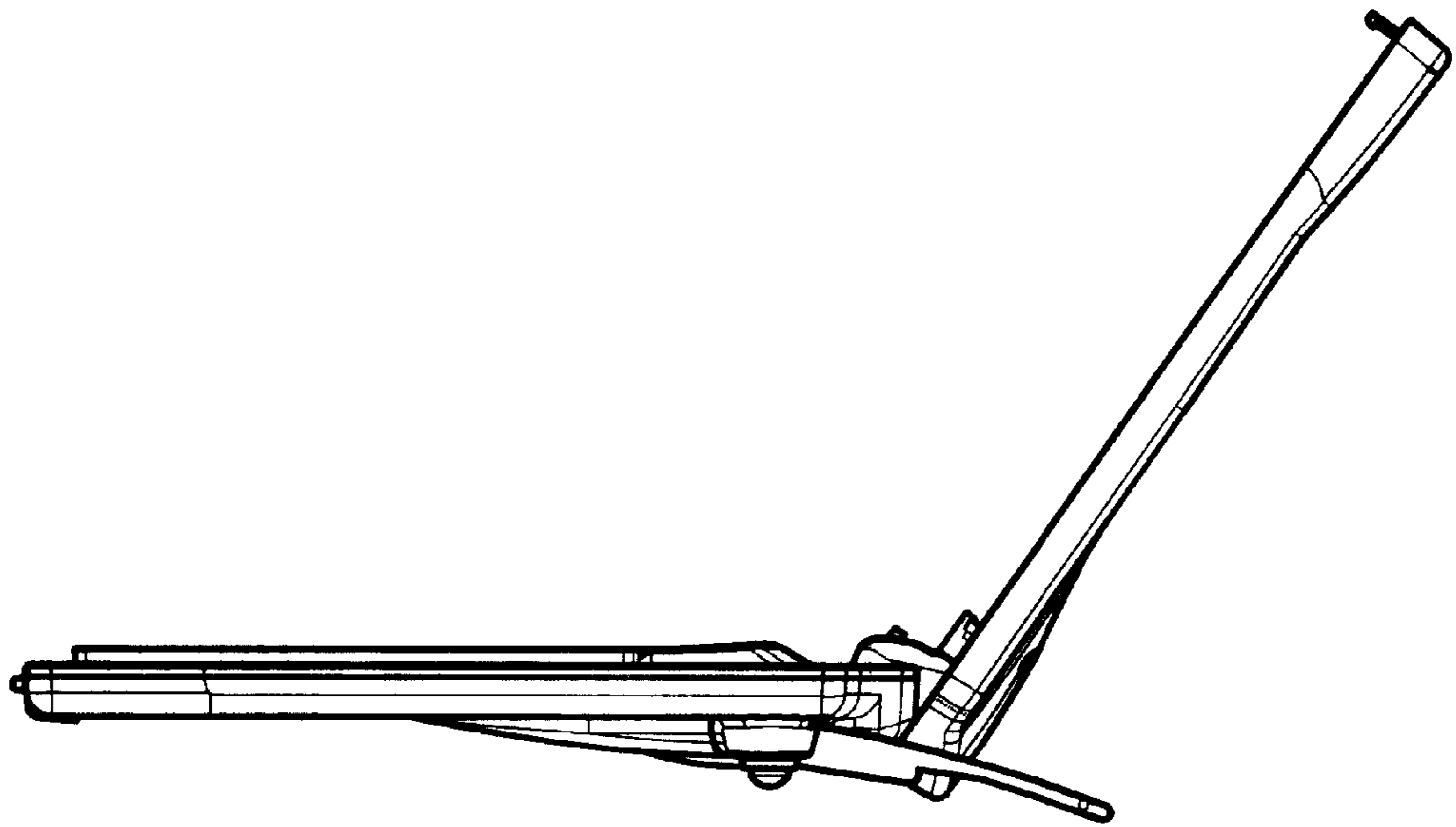
*FIG. 2*



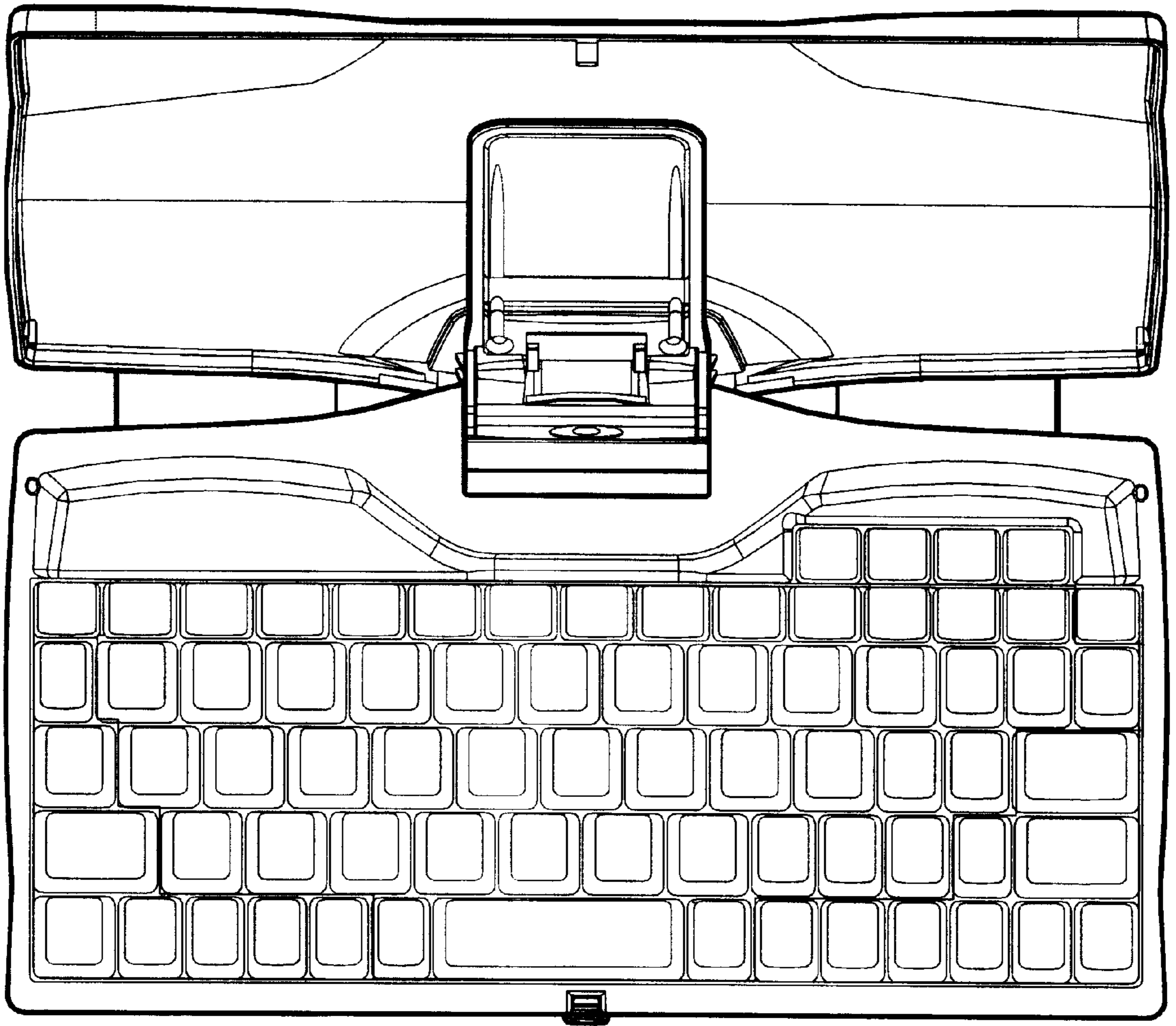
*FIG. 3*



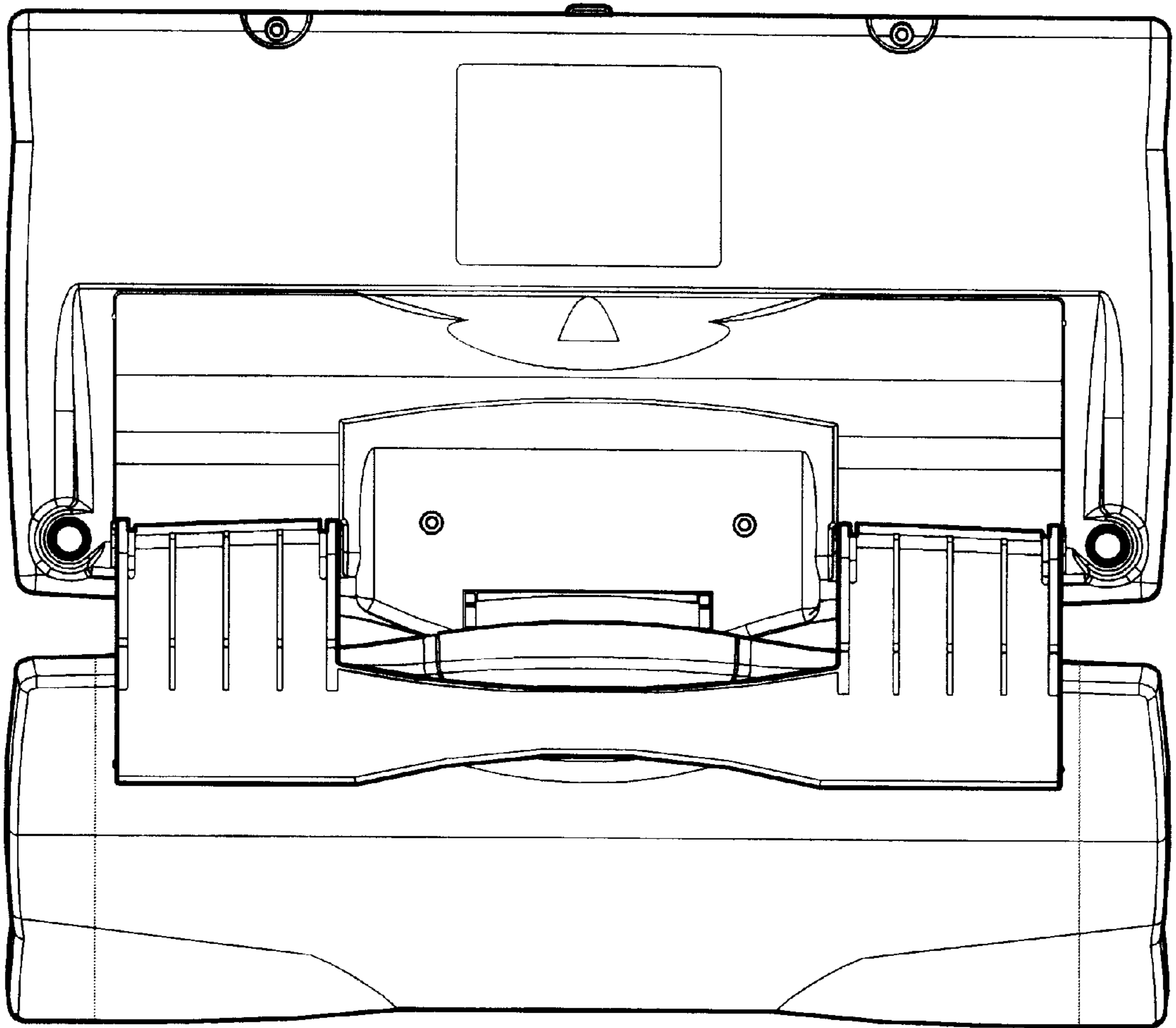
*FIG. 4*



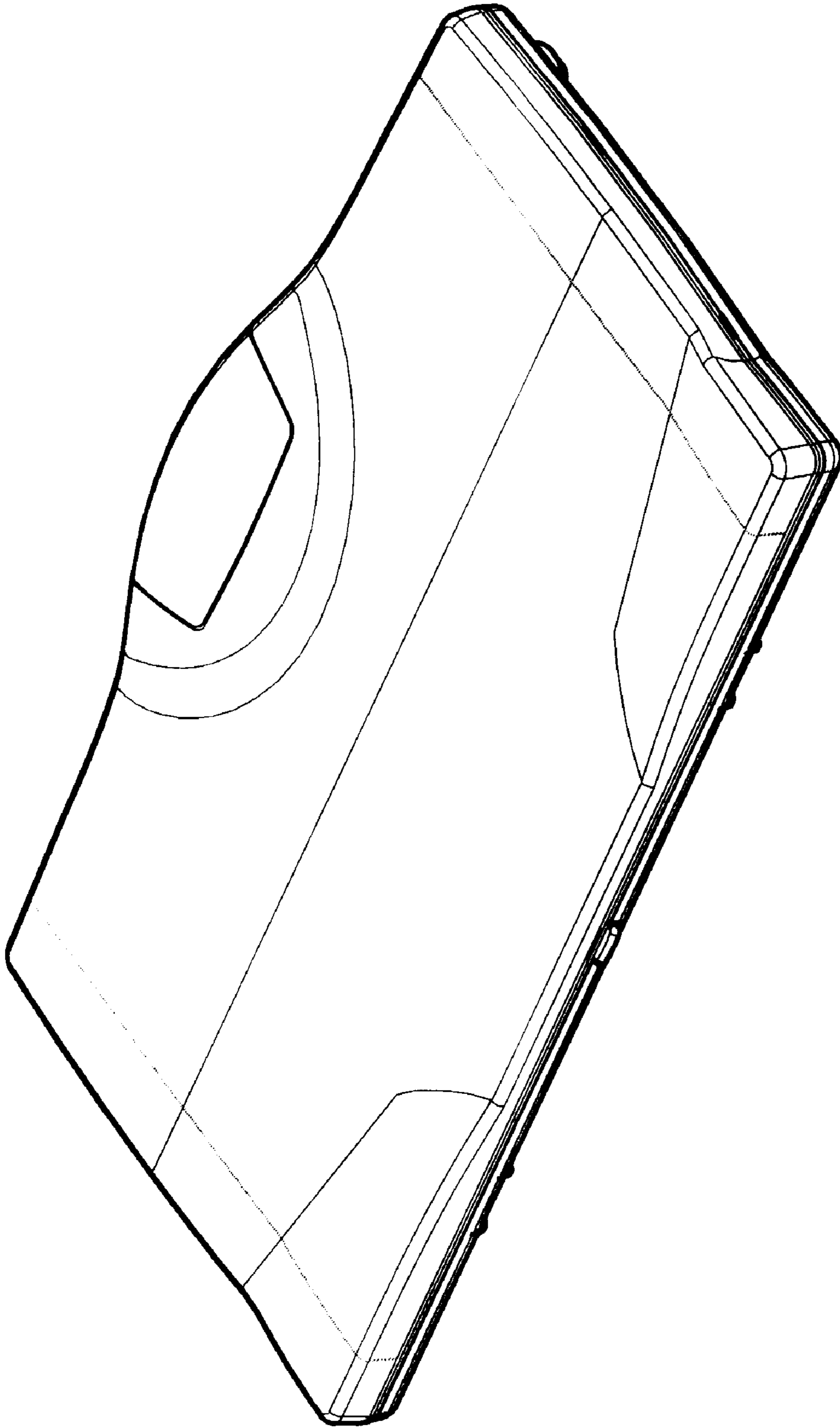
*FIG. 5*



*FIG. 6*



*FIG. 7*



*FIG. 8*