



US00D460056S

(12) **United States Design Patent**  
**Niitsu**

(10) **Patent No.:** **US D460,056 S**

(45) **Date of Patent:** **\*\* Jul. 9, 2002**

(54) **COMBINED TELEVISION AND BASE**

D445,098 S 7/2001 Matsuoka et al.

D448,029 S \* 9/2001 Baek ..... D14/374

(75) Inventor: **Takuya Niitsu**, Tokyo (JP)

**OTHER PUBLICATIONS**

(73) Assignee: **Sony Corporation**, Tokyo (JP)

Panasonic Catalog, p. 1, Oct. 9, 1997.\*

(\*\*) Term: **14 Years**

\* cited by examiner

(21) Appl. No.: **29/147,801**

*Primary Examiner*—Raphael Barkai

(22) Filed: **Sep. 7, 2001**

(74) *Attorney, Agent, or Firm*—Rader, Fishman & Grauer, PLLC

(51) **LOC (7) Cl.** ..... **14-03**

(57) **CLAIM**

(52) **U.S. Cl.** ..... **D14/126**

The ornamental design for a combined television and base, as shown and described.

(58) **Field of Search** ..... D14/125–134,

D14/239, 371, 374–382; D20/10; D6/470, 449, 450, 396; 248/917–924; 312/7.2; 348/825, 827, 836, 837, 148, 180, 184, 325, 739; 341/12; 349/1, 2, 11, 62; 345/104, 133, 156, 168, 173

**DESCRIPTION**

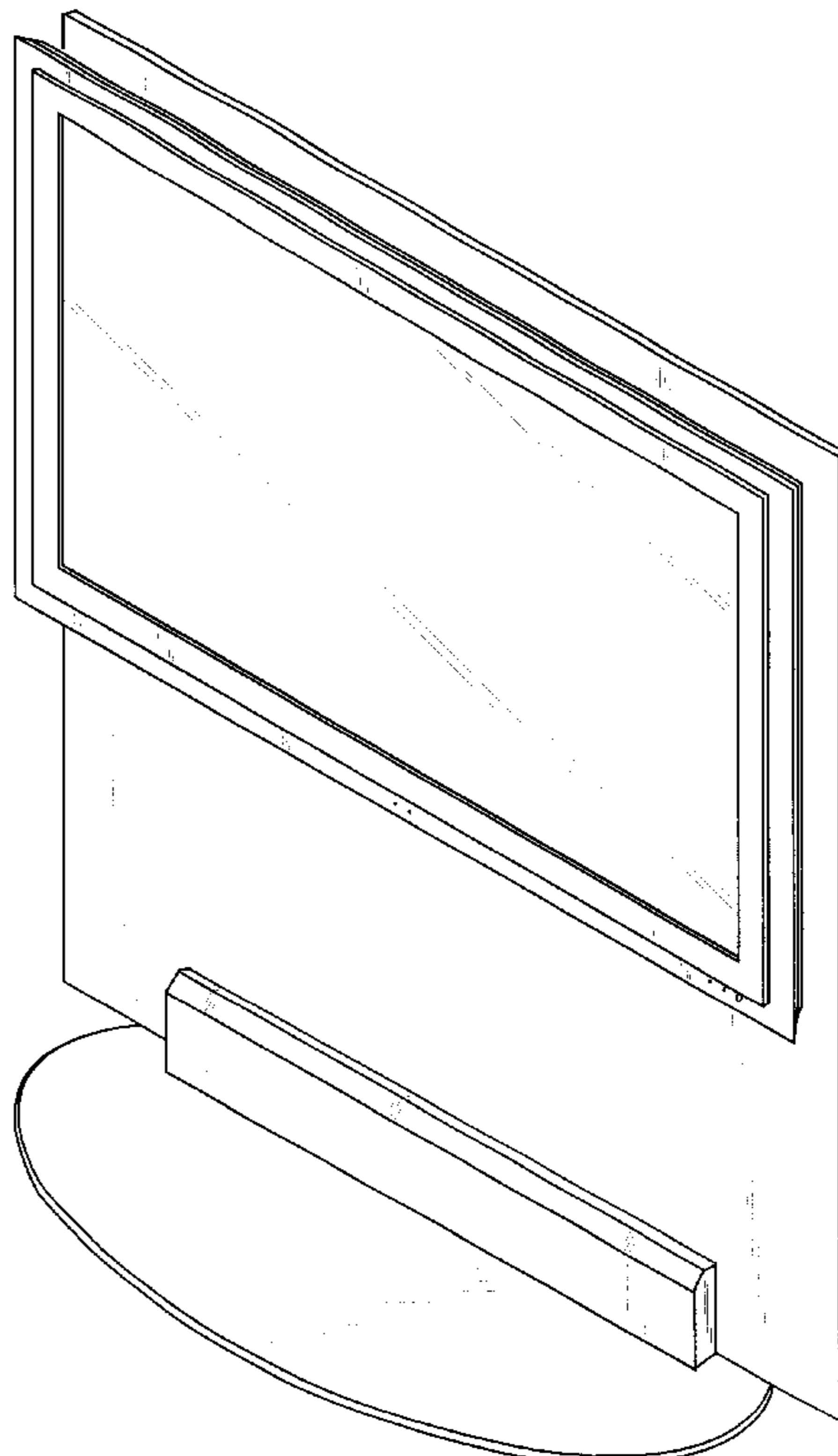
(56) **References Cited**

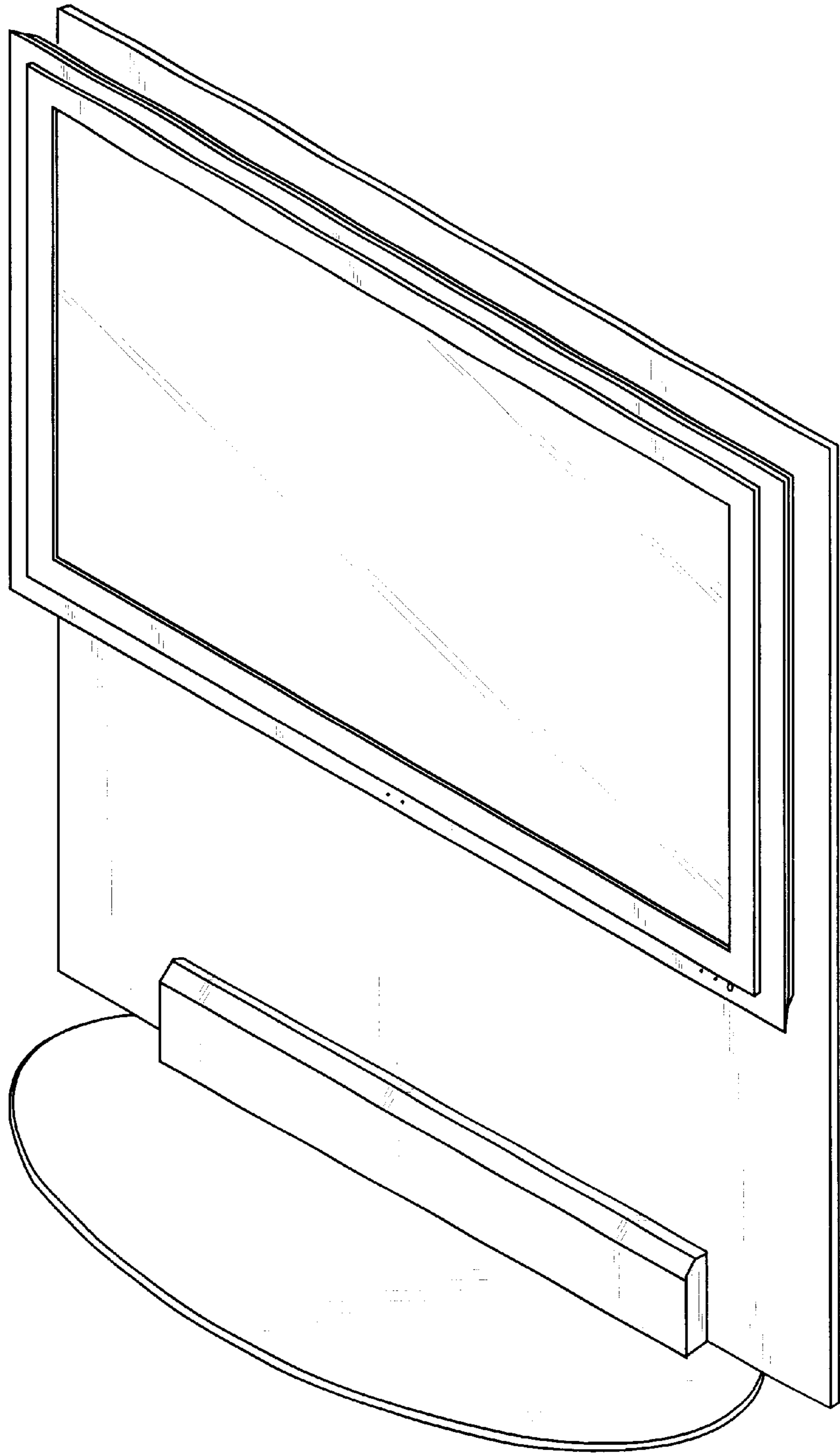
**U.S. PATENT DOCUMENTS**

- D357,912 S \* 5/1995 Martin ..... D14/374
- D364,395 S \* 11/1995 Uratani ..... D14/374
- 5,582,373 A \* 12/1996 Baudot ..... 248/917
- D412,891 S 8/1999 Sumii
- D416,876 S \* 11/1999 Yin ..... D14/126
- D424,068 S \* 5/2000 Takemasa ..... D14/126
- D424,538 S \* 5/2000 Hayashi ..... D20/10
- D432,103 S \* 10/2000 Mitsuhashi ..... D14/126
- D438,848 S \* 3/2001 Kita ..... D14/126
- D441,732 S 5/2001 Ota

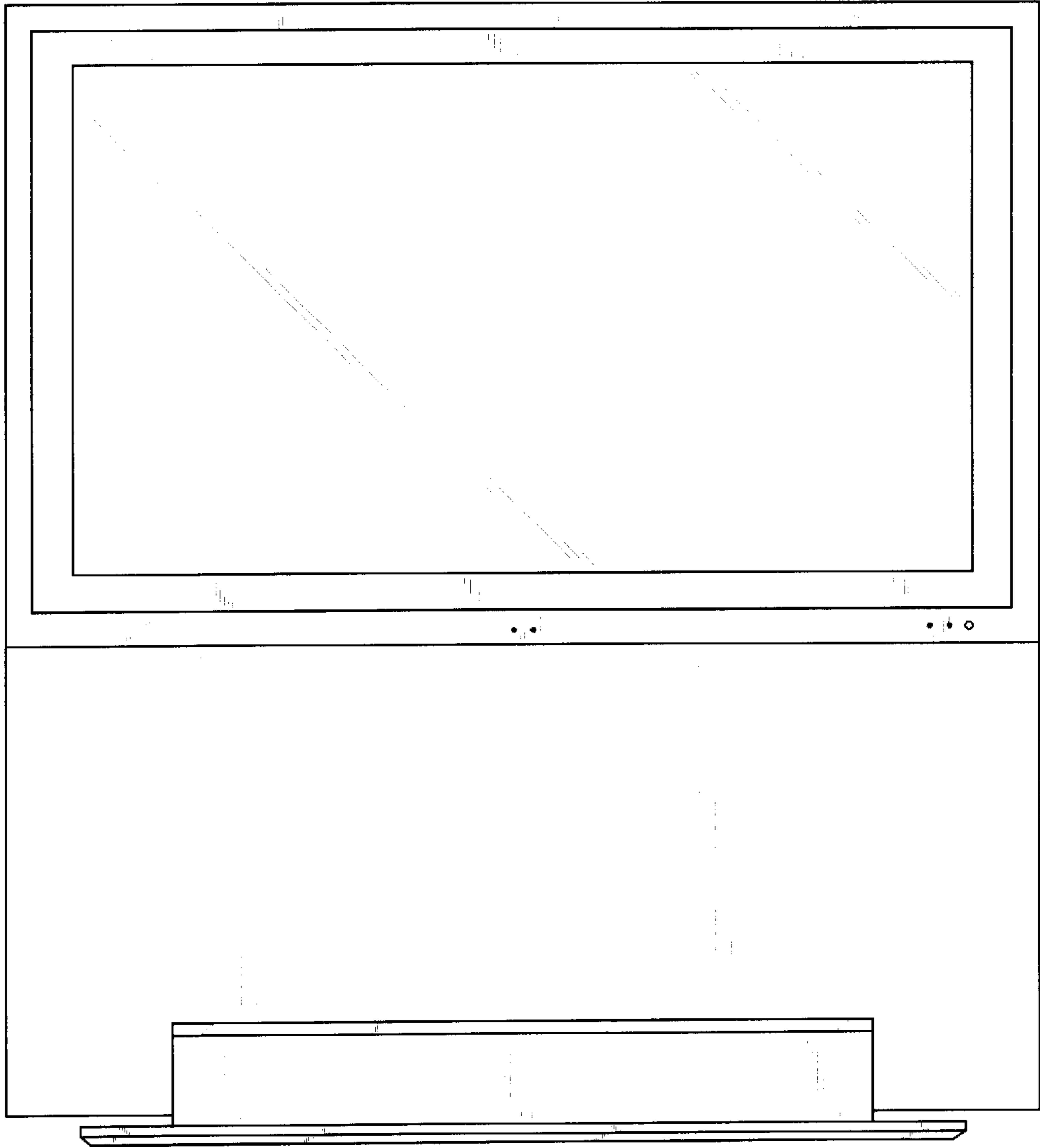
FIG. 1 is a perspective view of a combined television and base showing my new design;  
 FIG. 2 is a front elevational view thereof;  
 FIG. 3 is a rear elevational view thereof;  
 FIG. 4 is a left side elevational view thereof;  
 FIG. 5 is a right side elevational view thereof;  
 FIG. 6 is a top plan view thereof; and,  
 FIG. 7 is a bottom plan view thereof.  
 FIG. 8 is a perspective view of a second embodiment of a combined television and base, wherein the panel portion of the base has reflecting surfaces; and,  
 FIG. 9 is a front elevational view thereof. The rest of views thereof is the same as those of the embodiment of FIG. 1.

**1 Claim, 7 Drawing Sheets**

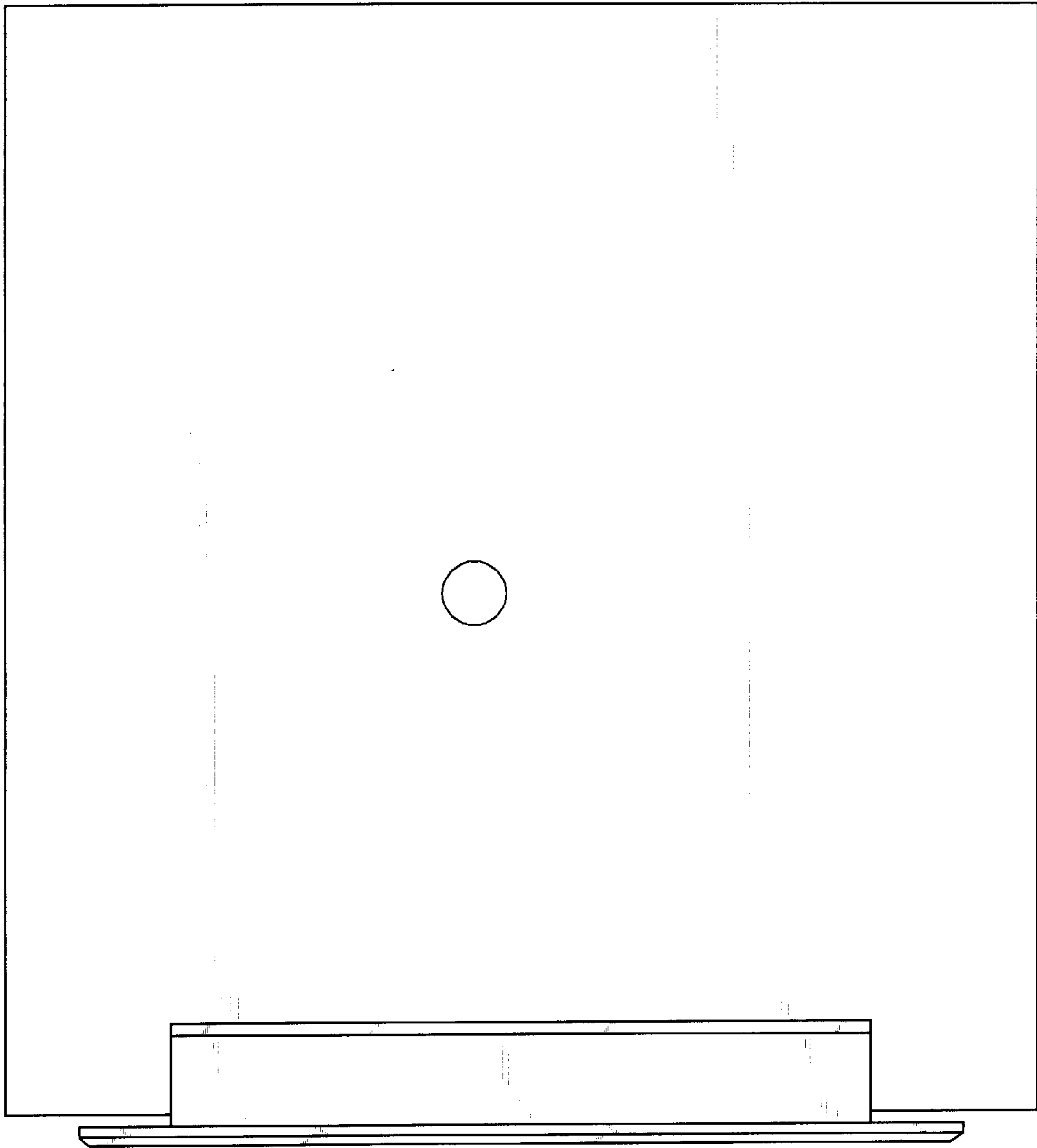




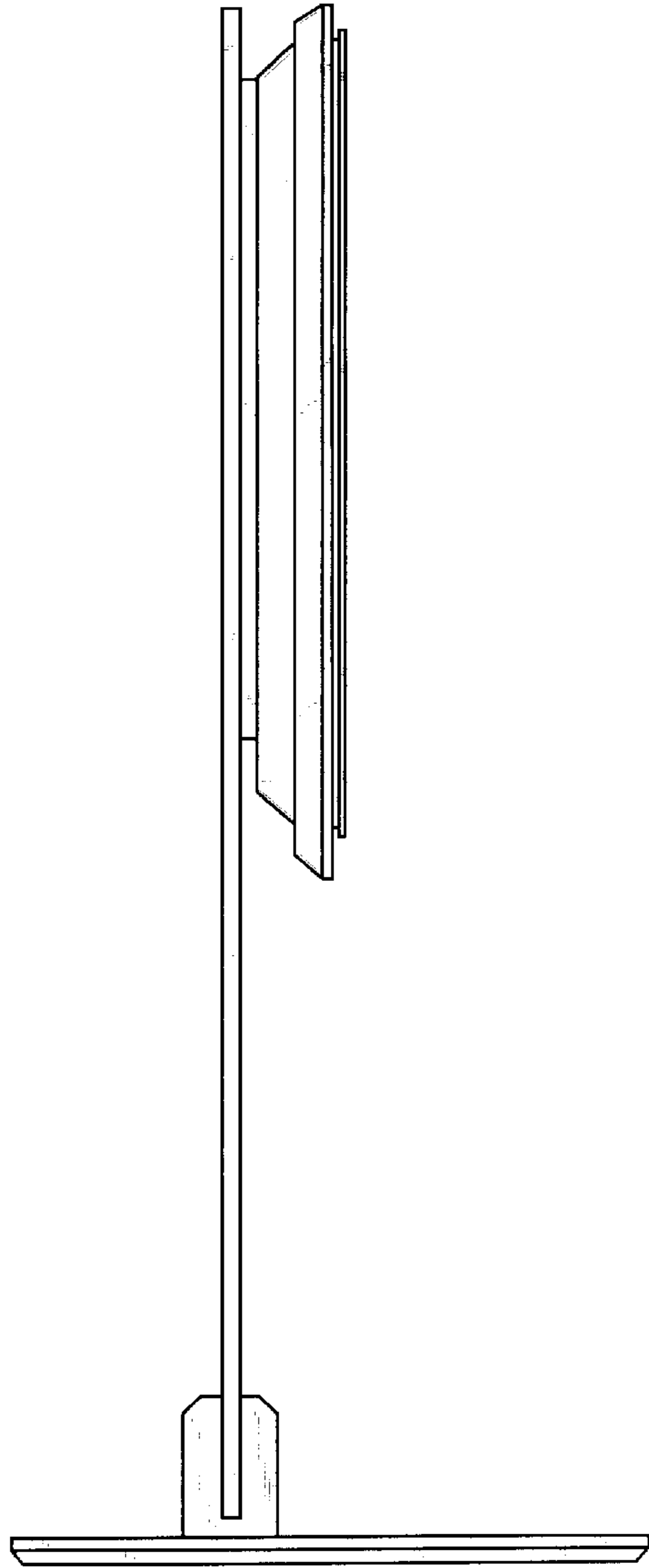
**Fig. 1**



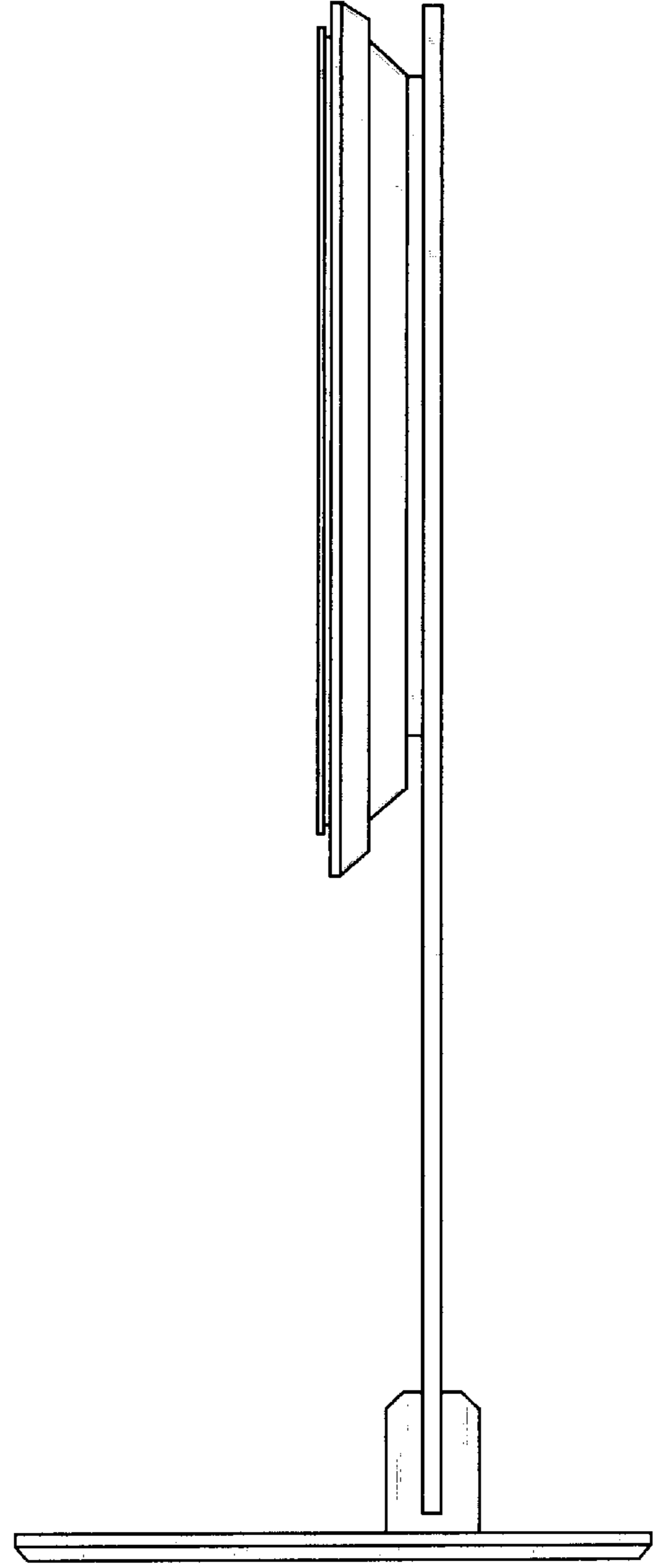
**Fig. 2**



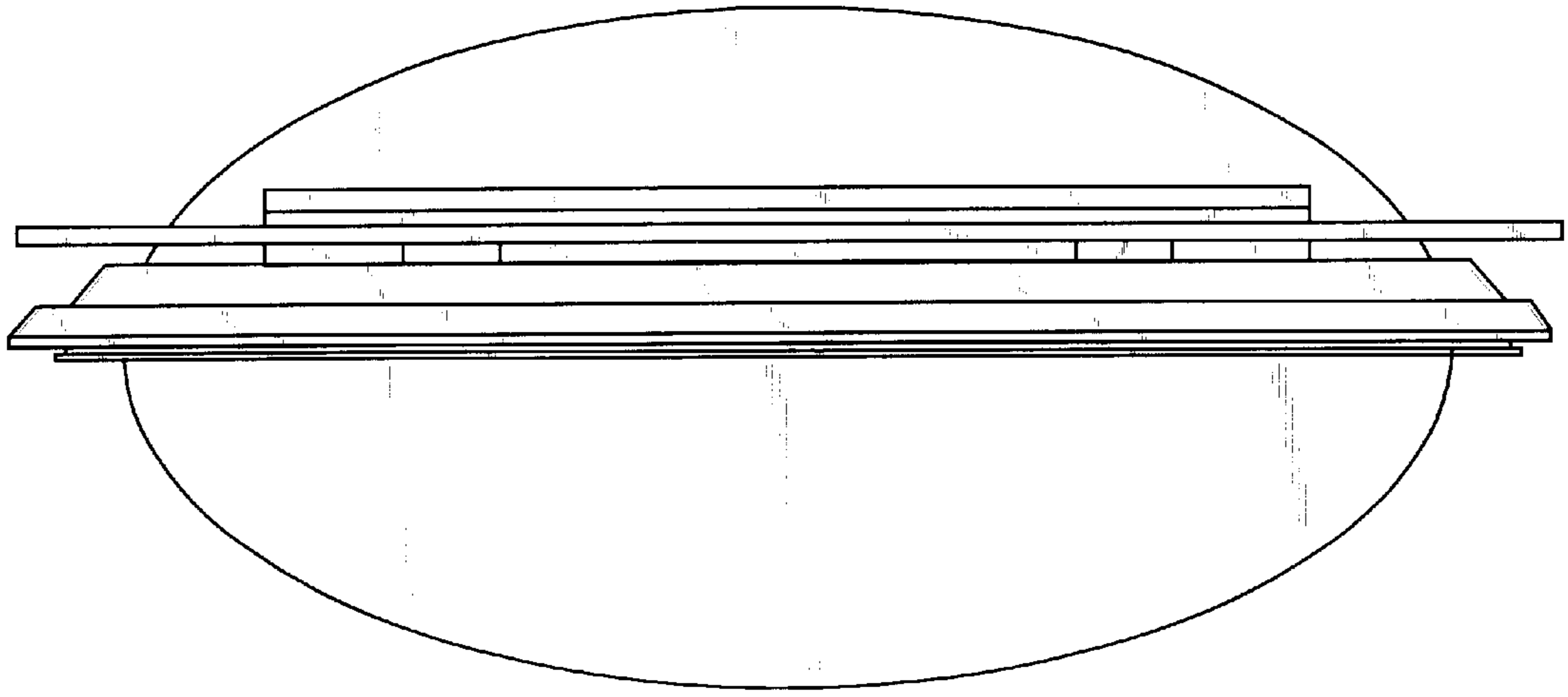
**Fig. 3**



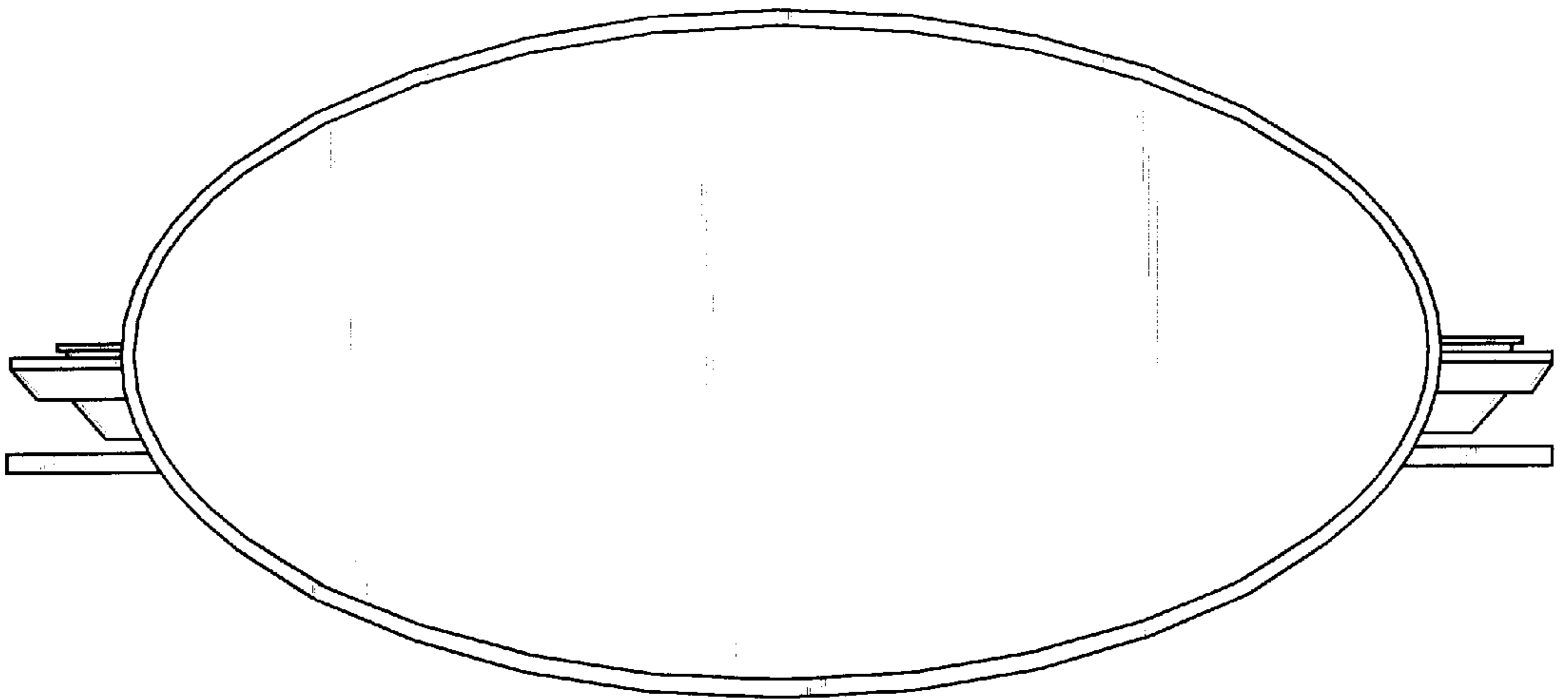
**Fig. 4**



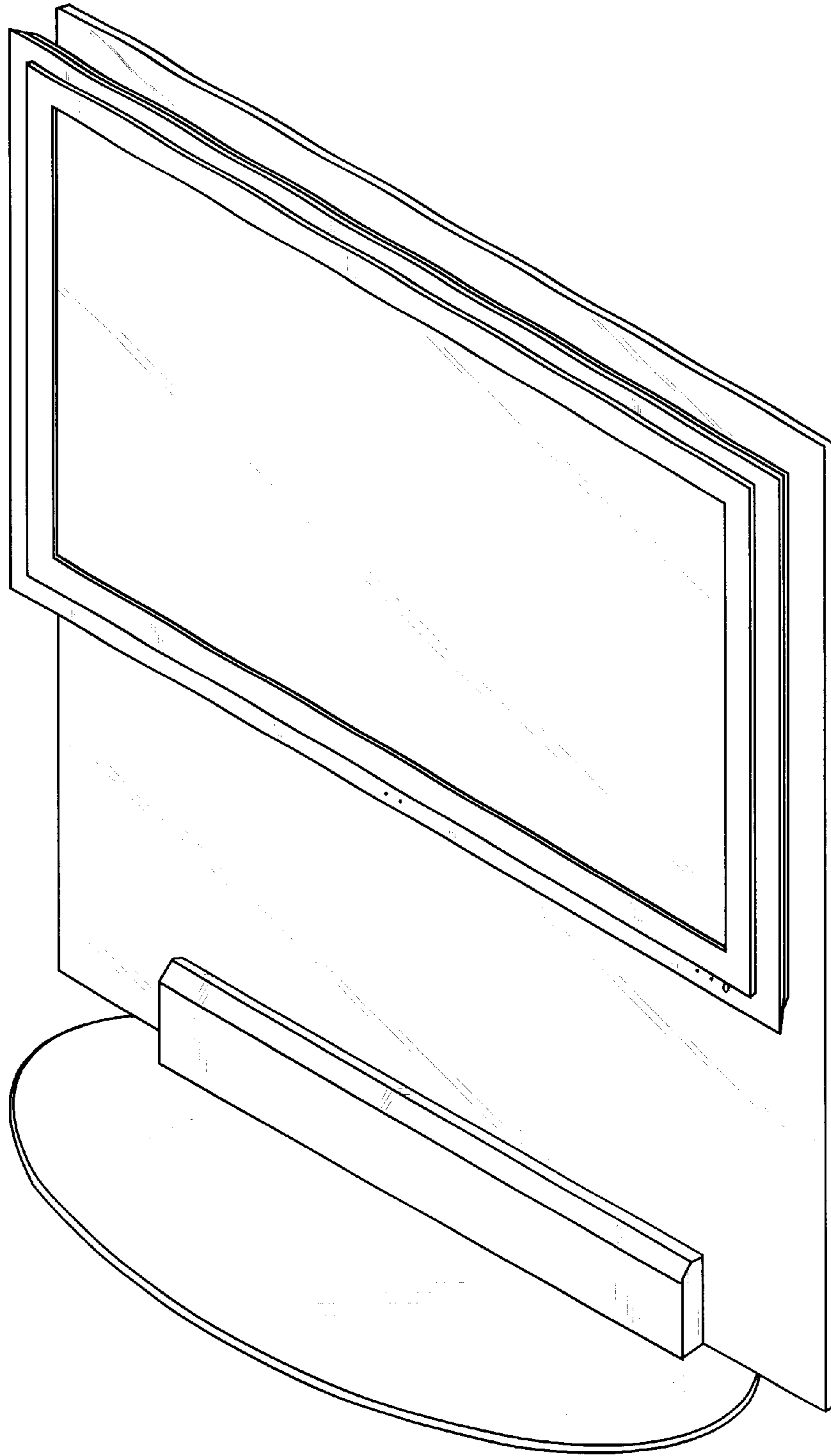
**Fig. 5**



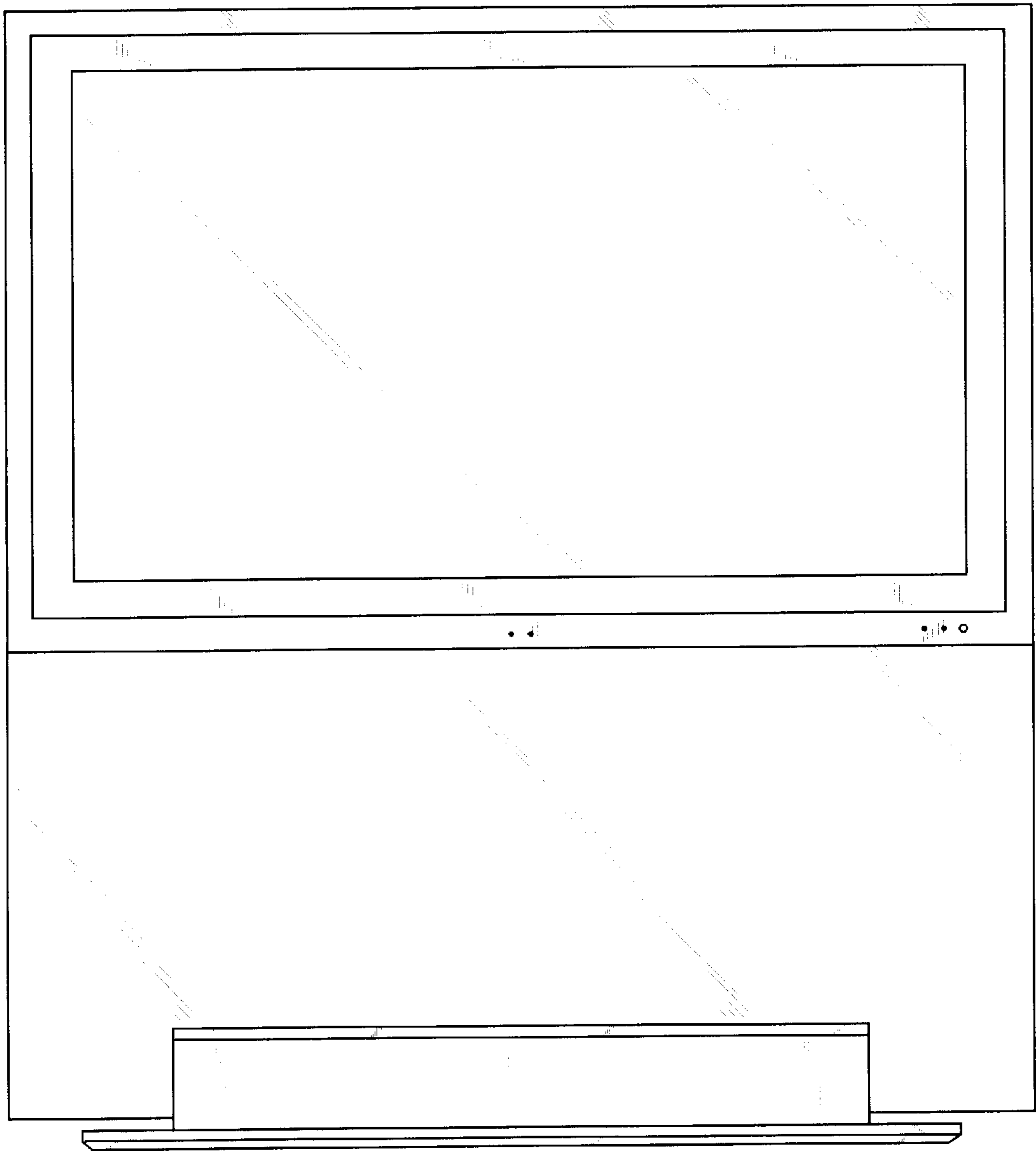
**Fig. 6**



**Fig. 7**



**Fig. 8**



**Fig. 9**