



US00D460055S

(12) **United States Design Patent**
Rosen

(10) **Patent No.:** **US D460,055 S**

(45) **Date of Patent:** **** Jul. 9, 2002**

(54) **PEDESTAL MONITOR**

(75) Inventor: **John B. Rosen**, Eugene, OR (US)

(73) Assignee: **Rosen Products, LLC**, Eugene, OR (US)

(**) Term: **14 Years**

(21) Appl. No.: **29/072,624**

(22) Filed: **Jun. 20, 1997**

(51) **LOC (7) Cl.** **14-03**

(52) **U.S. Cl.** **D14/126**

(58) **Field of Search** D14/113, 126-134;
248/920, 921

(56) **References Cited**

U.S. PATENT DOCUMENTS

D252,629 S	*	8/1979	Evans	D14/133
4,395,010 A	*	7/1983	Helgeland et al.	248/920 X
5,076,524 A		12/1991	Reh et al.	248/296.1
5,177,616 A		1/1993	Riday	348/837
5,179,447 A		1/1993	Lain	348/837
5,195,709 A		3/1993	Yasushi	248/280.11
5,222,780 A		6/1993	Reh et al.	297/188.19
D340,235 S		10/1993	Robak et al.	D14/373
5,271,590 A		12/1993	Rosen	248/222.13
5,311,302 A		5/1994	Berry et al.	248/14.03
5,396,399 A	*	3/1995	Blair et al.	248/921 X
D360,126 S		7/1995	Rosen	D8/349

D363,467 S	*	10/1995	Takahashi	D14/113 X
D363,925 S	*	11/1995	Imai	D14/113
D367,477 S		2/1996	Rosen	D14/452
5,547,248 A		8/1996	Marechal	297/188.17
D383,739 S	*	9/1997	Gilgen	D14/113
D386,158 S	*	11/1997	Rosen	D14/113

* cited by examiner

Primary Examiner—Ted Shooman

(74) *Attorney, Agent, or Firm*—Kolisch, Hartwell, Dickinson, McCormack & Heuser

(57) **CLAIM**

The ornamental design for a pedestal monitor, as shown and described.

DESCRIPTION

FIG. 1 is an isometric view of a pedestal monitor constructed in accordance with a preferred embodiment of the invention, the monitor being shown in its stowed orientation;

FIG. 2 is an isometric view of the pedestal monitor of FIG. 1, but with the monitor in a deployed orientation;

FIG. 3 is a front view of the pedestal monitor as shown in FIG. 1;

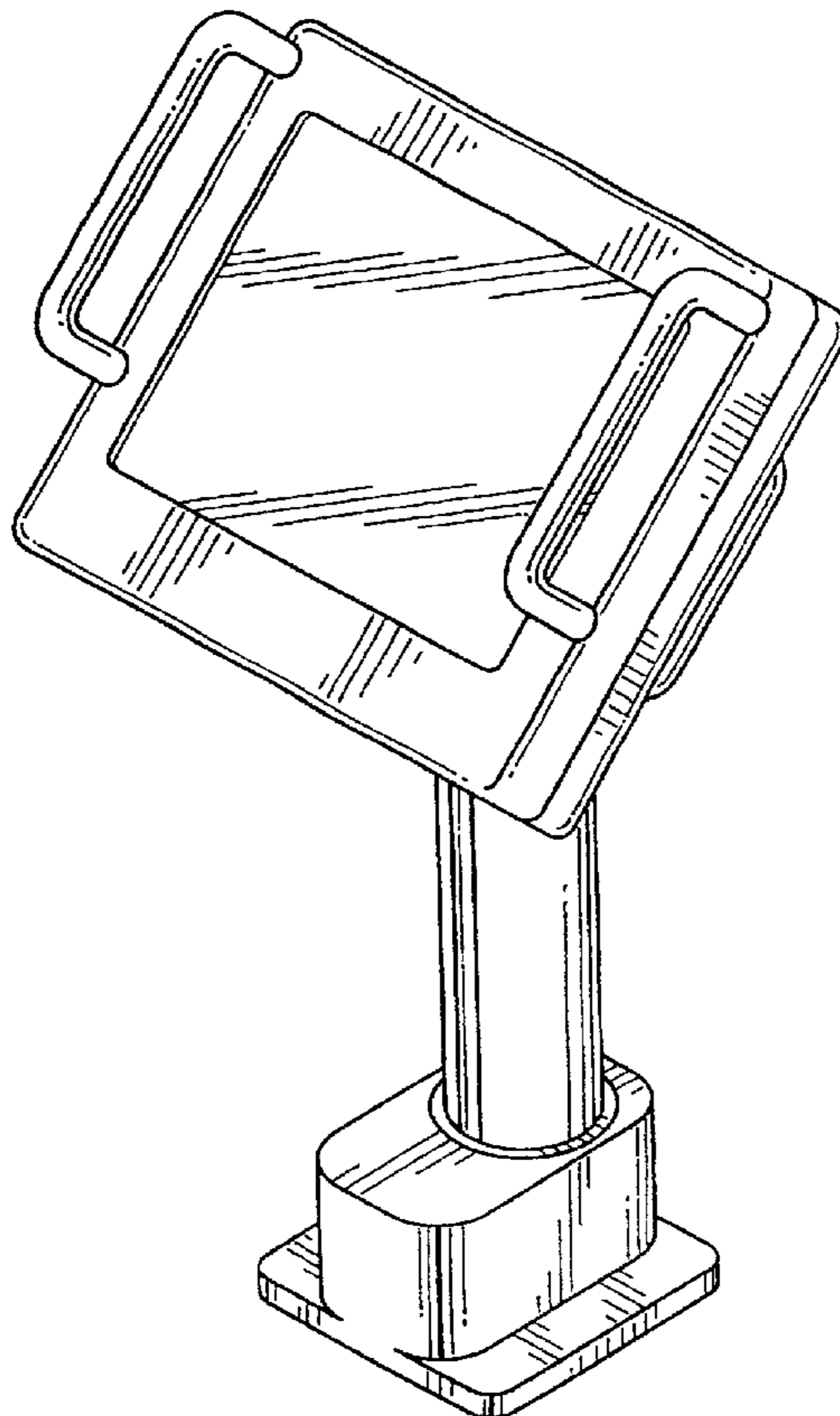
FIG. 4 is a right-side view of the pedestal monitor as shown in FIG. 1, the left-side view being a mirror image thereof;

FIG. 5 is a rear view thereof;

FIG. 6 is a top view thereof; and,

FIG. 7 is a bottom view thereof.

1 Claim, 3 Drawing Sheets



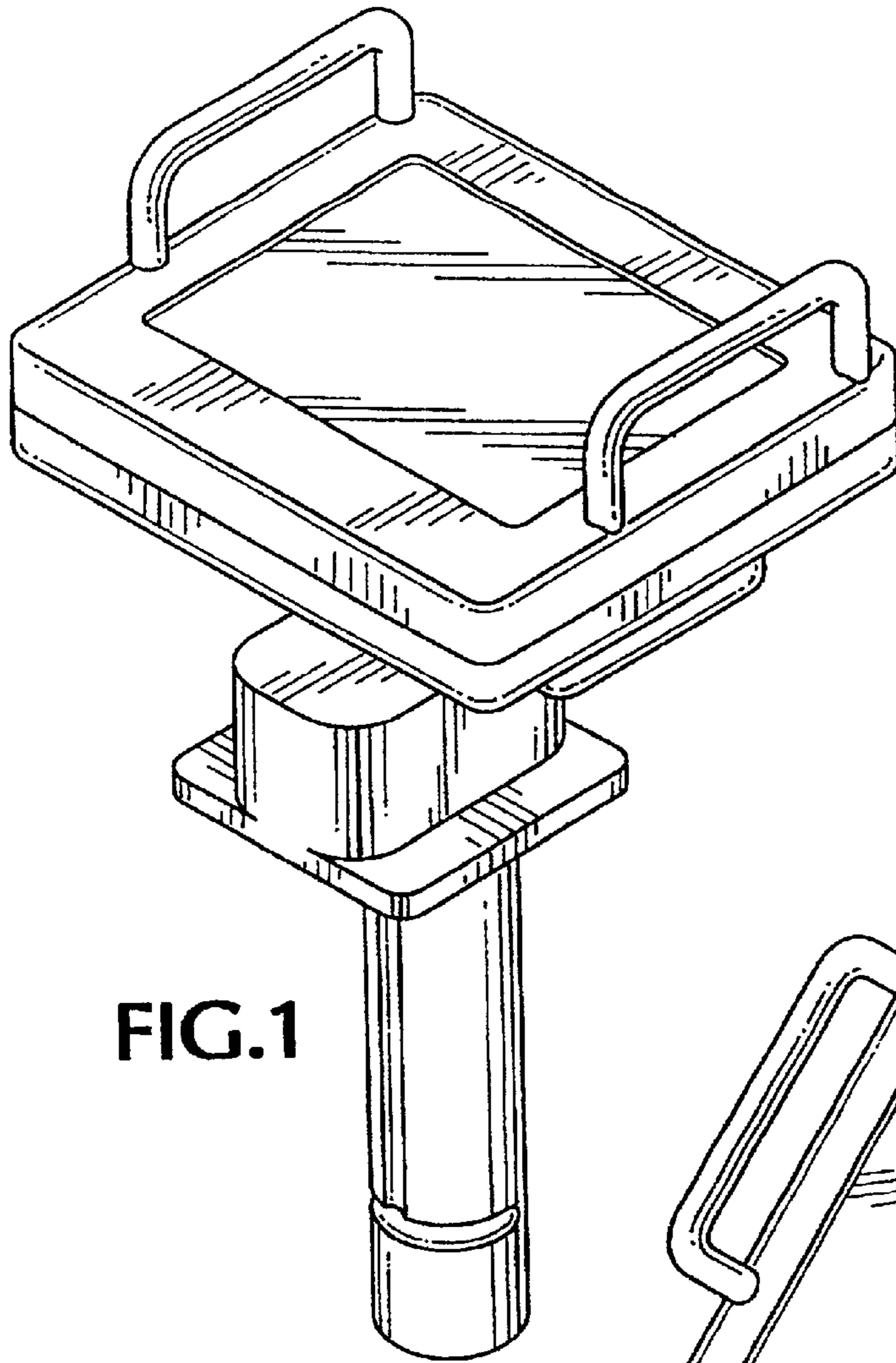


FIG. 1

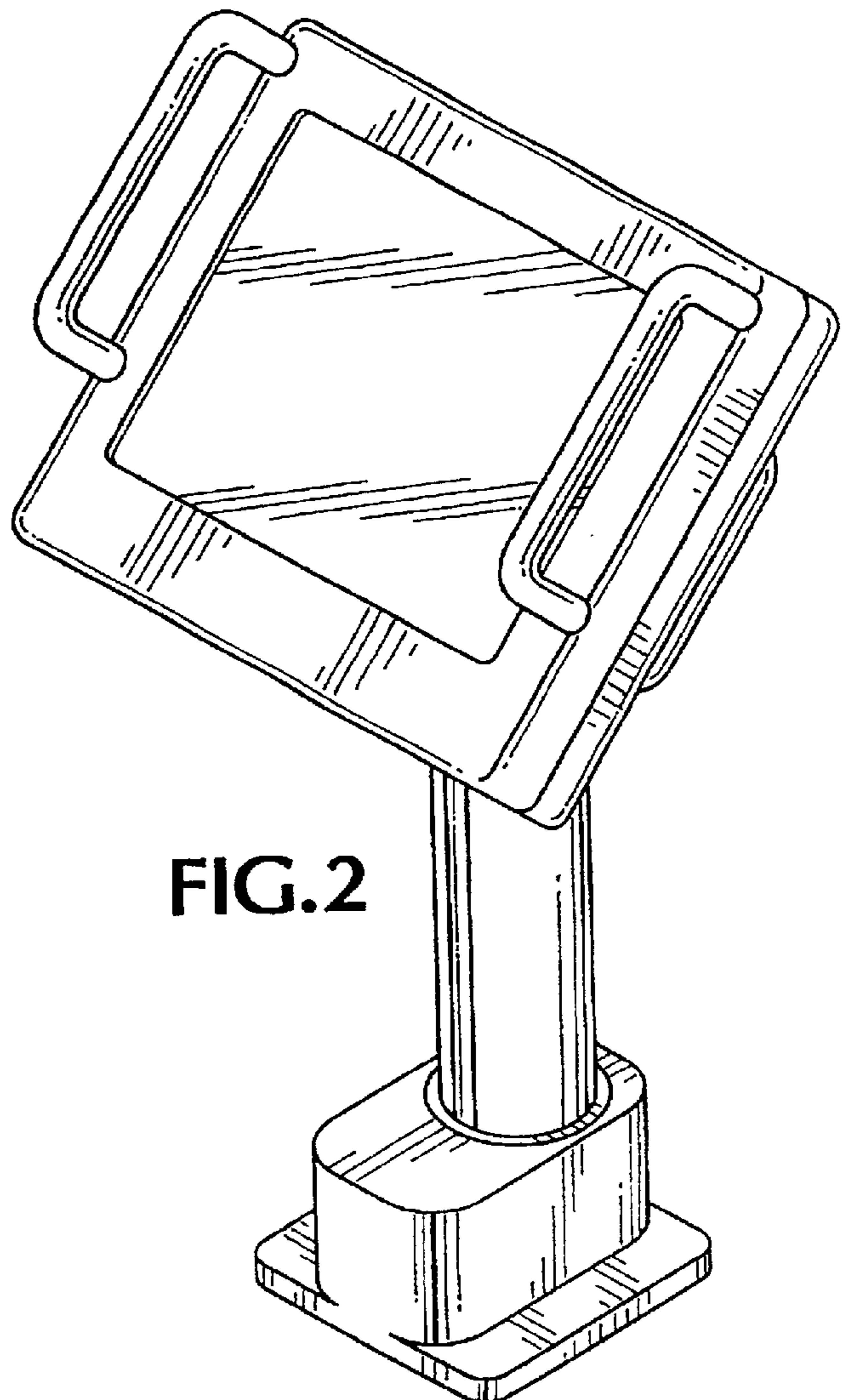


FIG. 2

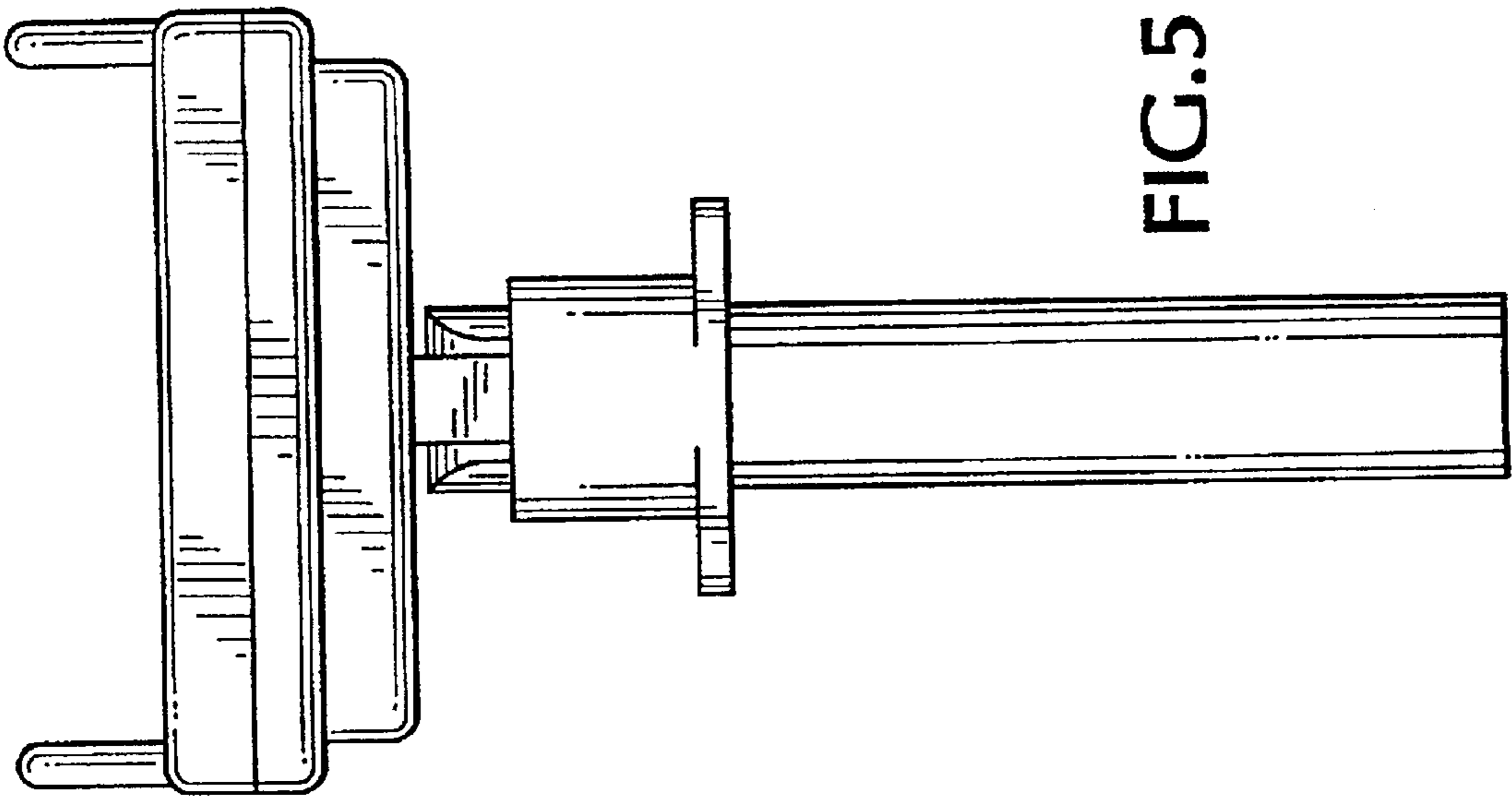


FIG. 5

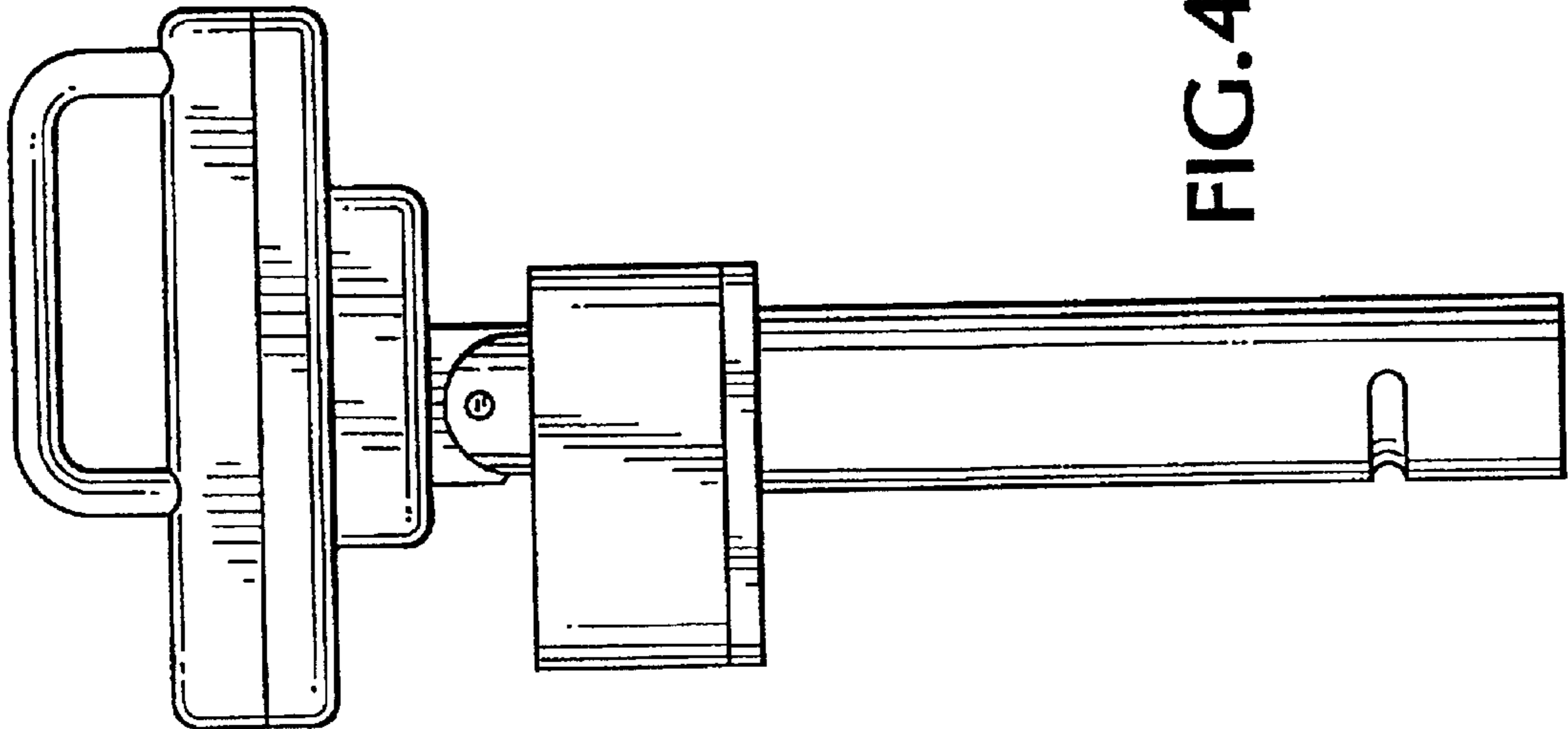


FIG. 4

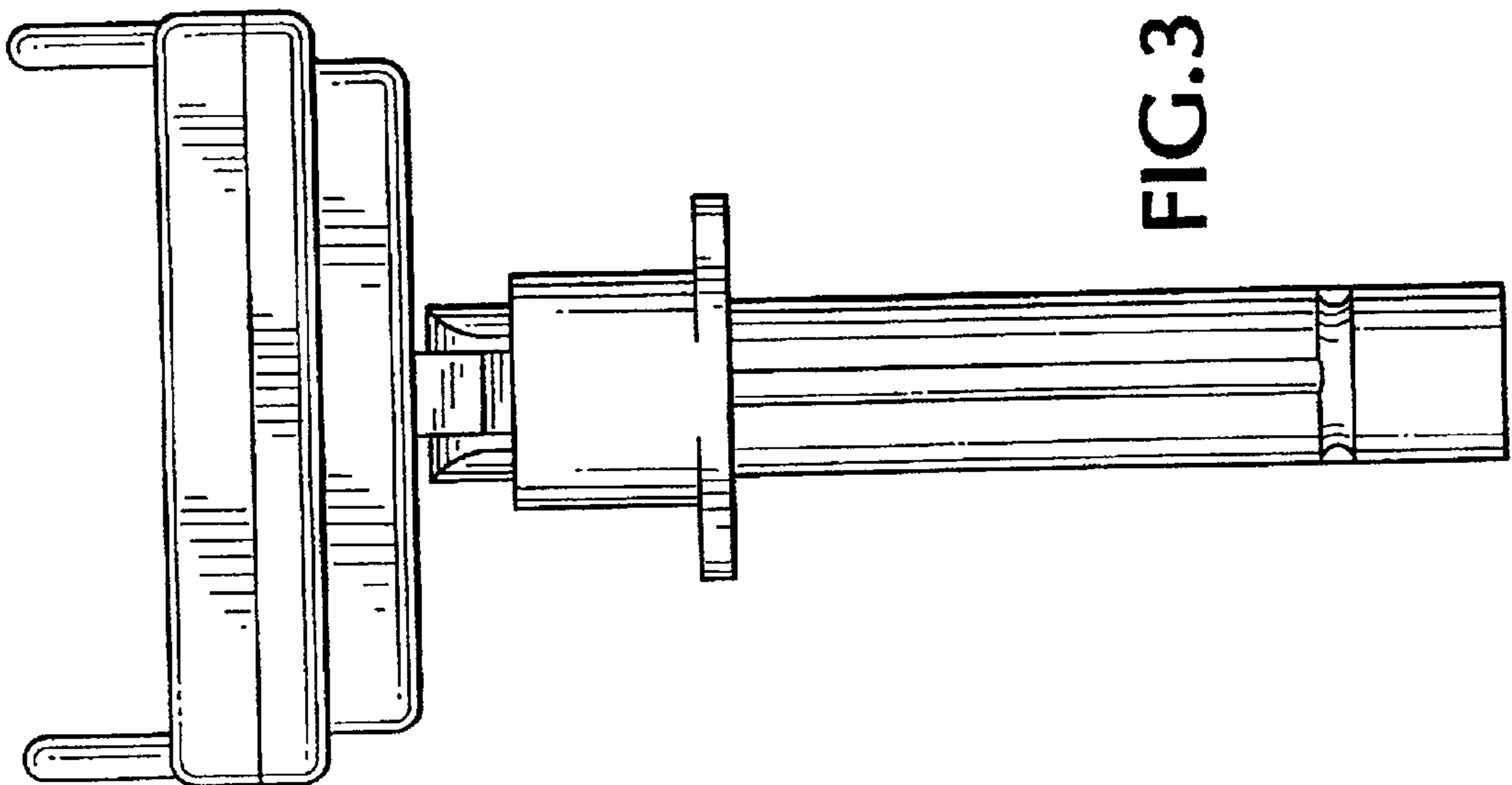


FIG. 3

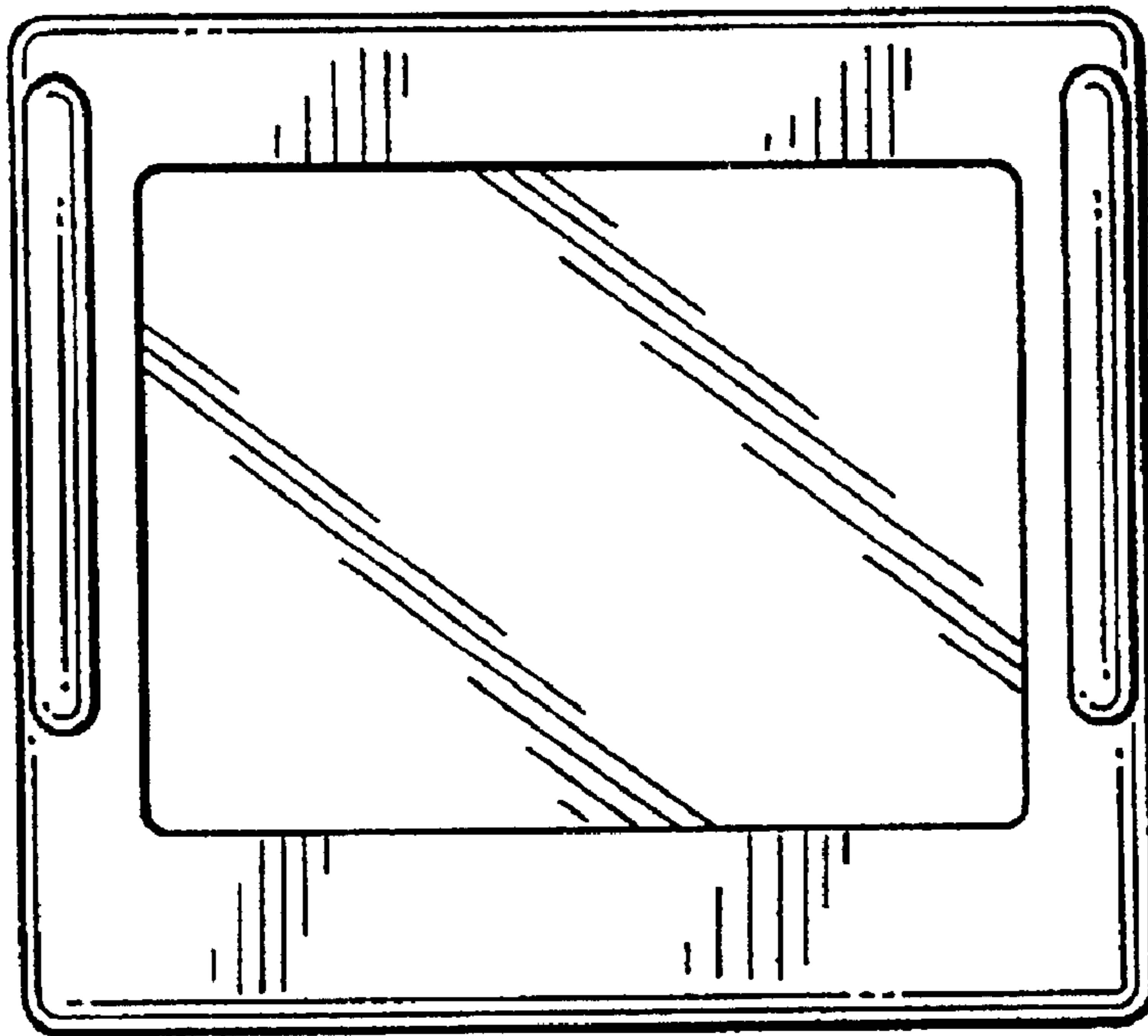


FIG. 6

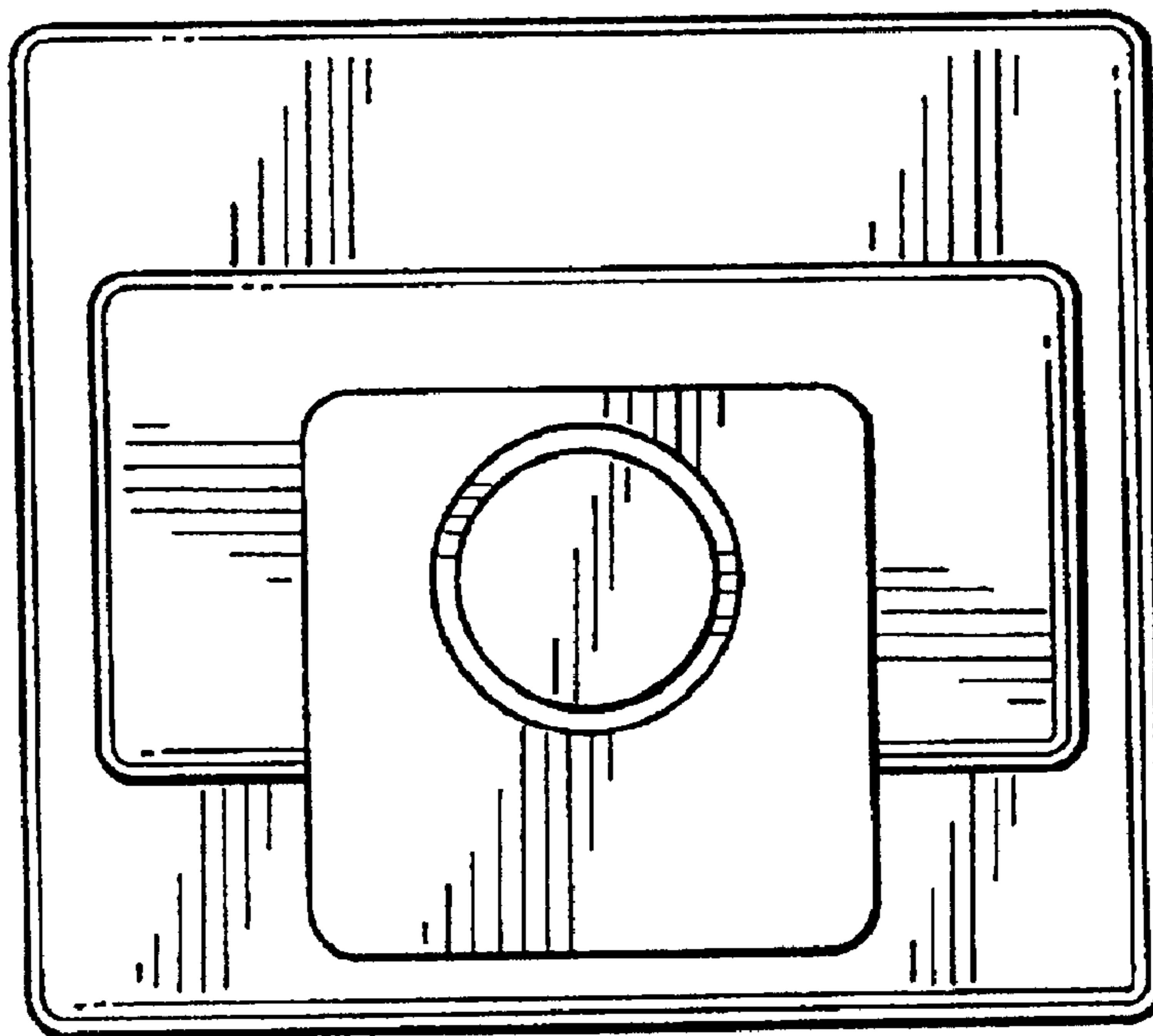


FIG. 7