



US00D460054S

(12) **United States Design Patent**
Jensen et al.

(10) **Patent No.:** **US D460,054 S**

(45) **Date of Patent:** **** Jul. 9, 2002**

(54) **EQUIPMENT STAND**

(75) Inventors: **Tyler Jensen**, San Diego; **Nancy Soule**, Ramona; **Derek Hunsaker**; **James Kesler**, both of San Diego; **Andrew Zoolakis**, La Costa; **Chi Yong Kim**, Vista; **Scott Clear**, San Diego, all of CA (US)

(73) Assignee: **Hughes Electronics Corporation**, El Segundo, CA (US)

(**) Term: **14 Years**

(21) Appl. No.: **29/135,724**

(22) Filed: **Jan. 18, 2001**

(51) **LOC (7) Cl.** **13-03**

(52) **U.S. Cl.** **D13/184**

(58) **Field of Search** D6/449, 466; D13/184, D13/199; D14/240, 299, 447; 248/133.1, 134, 146, 149, 346.03, 346.5, 688, 309.1

(56) **References Cited**

U.S. PATENT DOCUMENTS

- 2,713,471 A * 7/1955 Hirsch 248/346
- D327,383 S * 6/1992 Lam D6/466
- 5,295,648 A * 3/1994 Hames 248/149
- D349,095 S * 7/1994 Gorenz, Jr. et al. D13/103

- D362,245 S * 9/1995 Moffatt D14/114
- D371,021 S * 6/1996 Pine et al. D6/449
- D420,008 S * 2/2000 Lohrding et al. D14/240
- D425,725 S * 5/2000 Whitaker D6/421
- D432,528 S * 10/2000 Hartman et al. D14/243
- 6,327,982 B1 * 12/2001 Jackson 108/5

* cited by examiner

Primary Examiner—Ted Shooman

Assistant Examiner—Selina Sikder

(74) *Attorney, Agent, or Firm*—John T. Whelan; Michael W. Sales

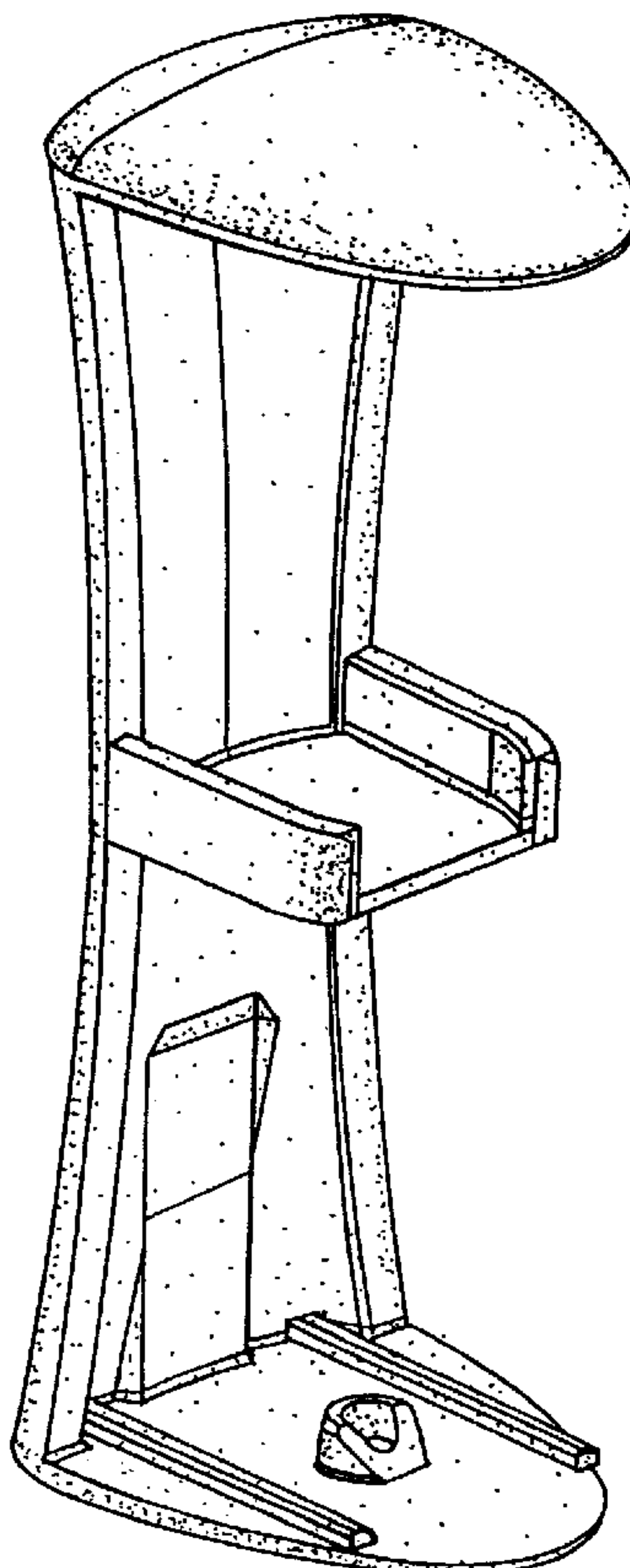
(57) **CLAIM**

The ornamental design of an equipment stand, as shown and described.

DESCRIPTION

FIG. 1 is a front perspective view of an equipment stand showing my new design;
 FIG. 2 is a front view
 FIG. 3 is a side view
 FIG. 4 is a rear view
 FIG. 5 is a top view; and,
 FIG. 6 is a perspective view of stand in use.
 The broken line showing of the environment is for illustrative purpose only and forms not part of the claimed design.

1 Claim, 3 Drawing Sheets



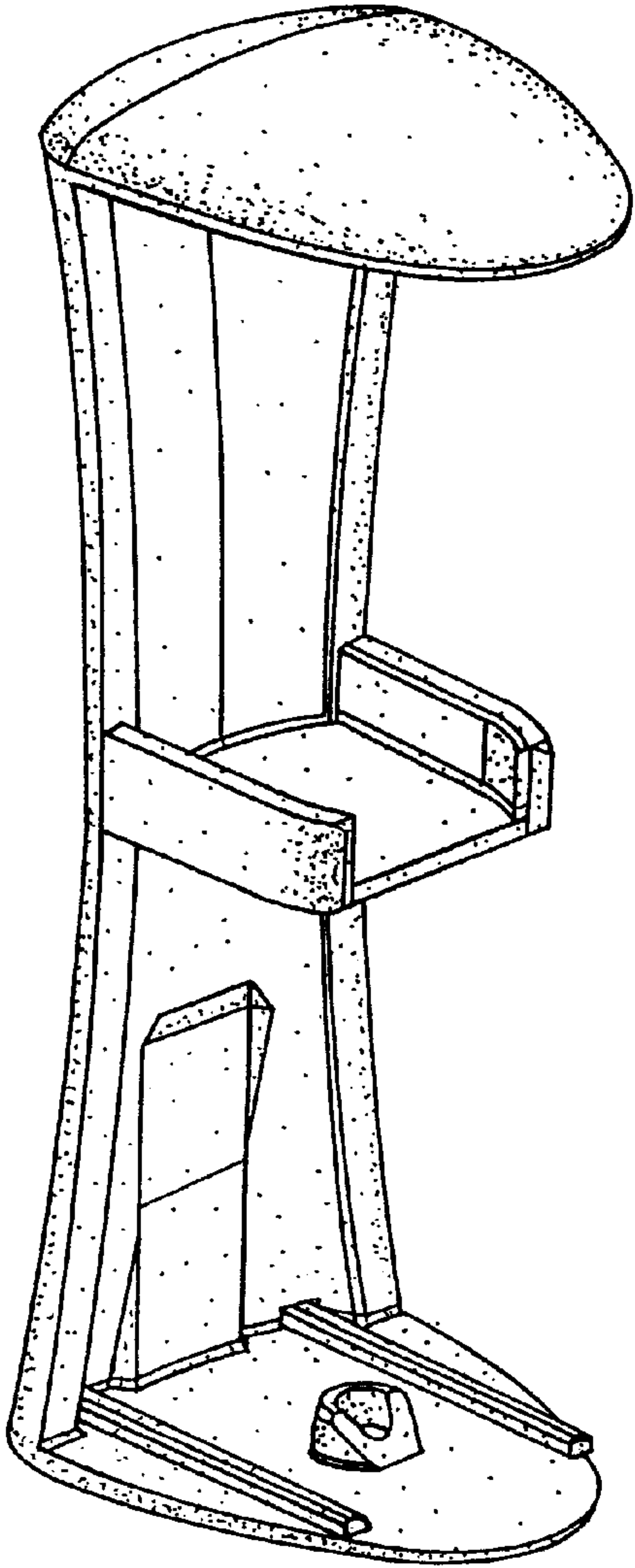


FIG. 1

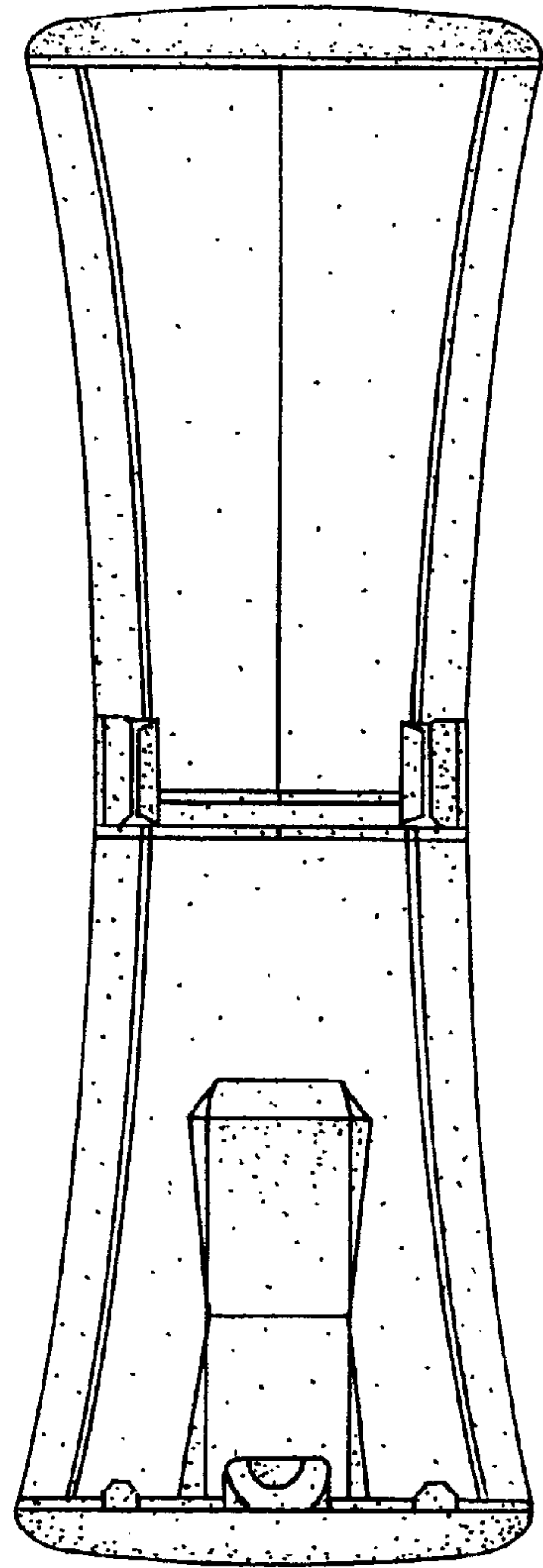


FIG. 2

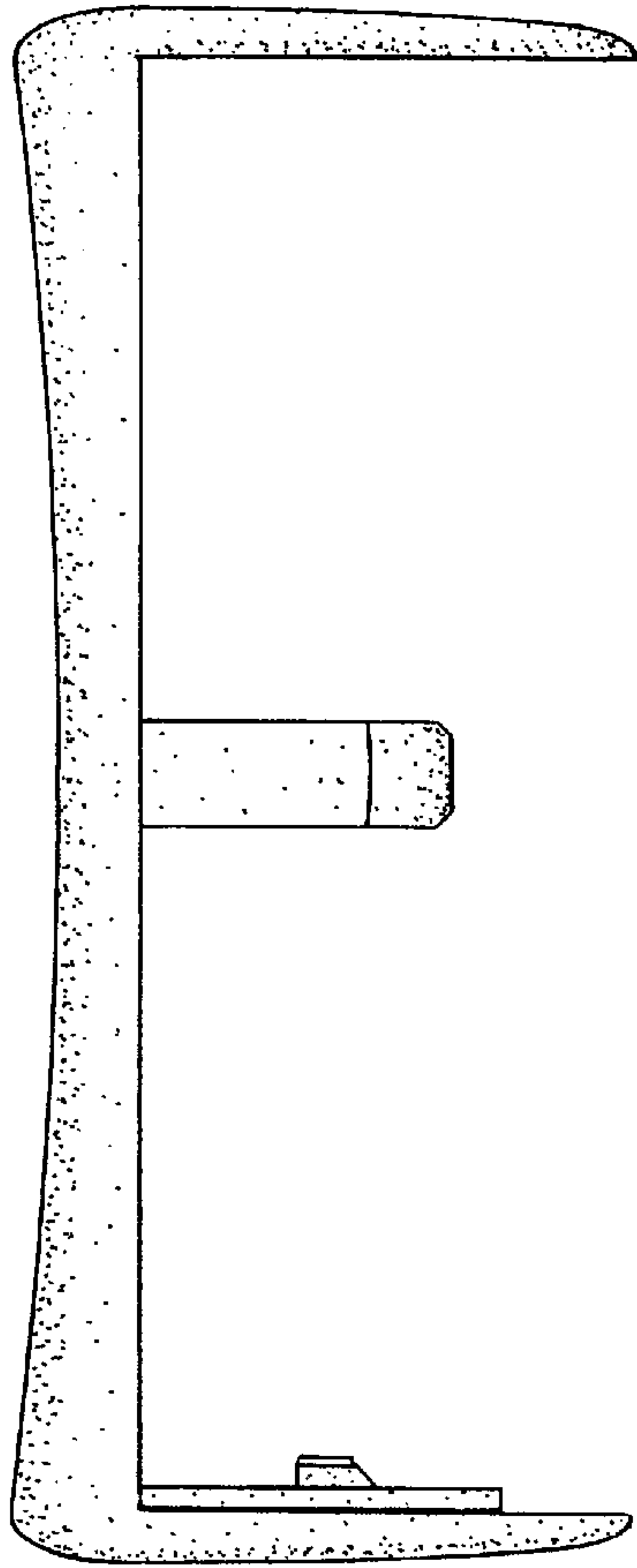


FIG. 3

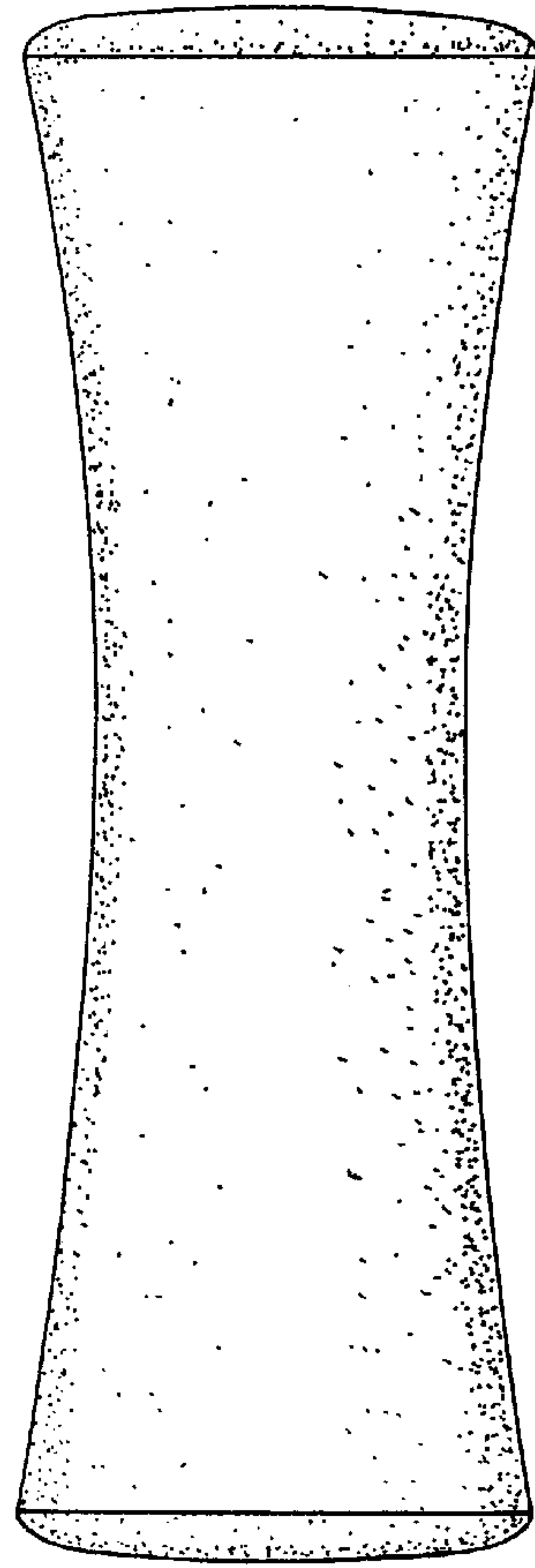


FIG. 4

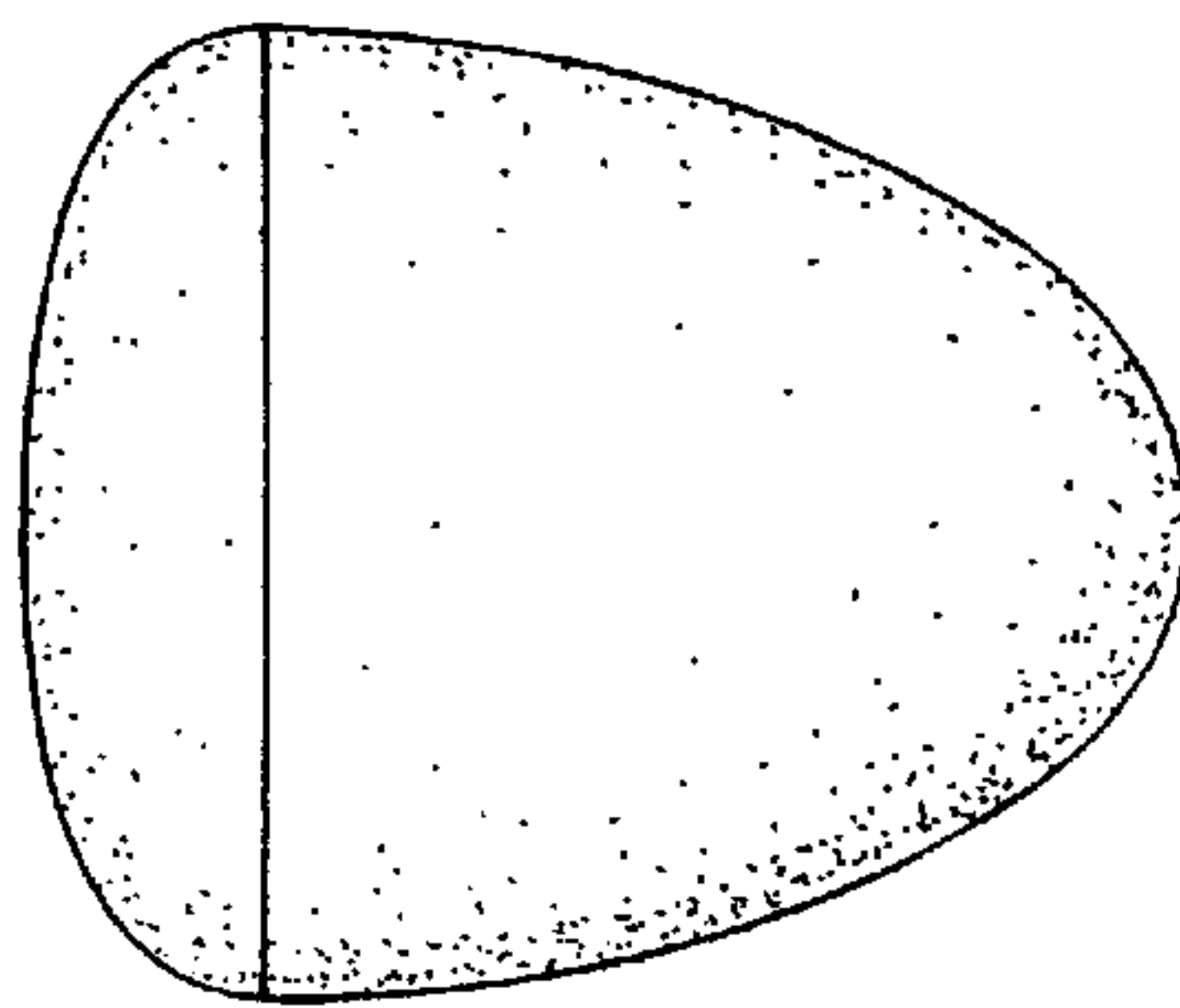


FIG. 5

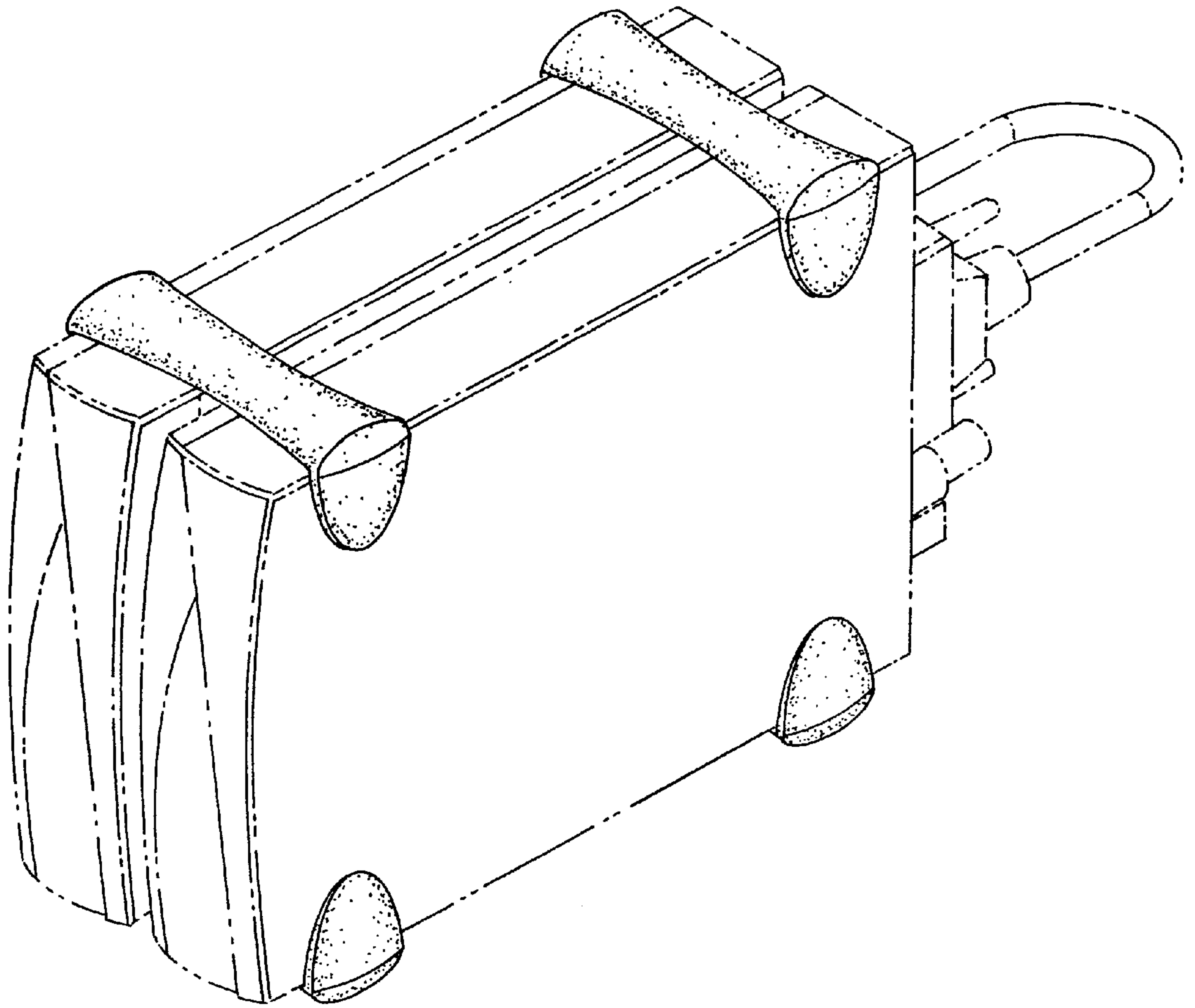


FIG. 6