



US00D460049S

(12) **United States Design Patent**
McCoy

(10) **Patent No.:** **US D460,049 S**

(45) **Date of Patent:** **** Jul. 9, 2002**

(54) **ELECTRICAL CONNECTOR**

(75) Inventor: **Phillip A. McCoy**, Albion, IN (US)

(73) Assignee: **Lyall Assemblies, Inc.**, Albion, IN (US)

(**) Term: **14 Years**

(21) Appl. No.: **29/145,188**

(22) Filed: **Jul. 17, 2001**

(51) **LOC (7) Cl.** **13-03**

(52) **U.S. Cl.** **D13/147; D13/145**

(58) **Field of Search** **D13/146, 147,**
D13/145; 439/660, 677, 692, 682

(56) **References Cited**

U.S. PATENT DOCUMENTS

4,046,449	A	*	9/1977	Ranzanigo	439/553
4,150,866	A	*	4/1979	Snyder, Jr. et al.	439/275
4,284,312	A	*	8/1981	Patchett et al.	439/677 X
4,403,824	A	*	9/1983	Scott	439/677 X
4,449,776	A	*	5/1984	Carmo et al.	439/350
4,725,240	A	*	2/1988	Braverman	439/682 X

5,470,239	A	*	11/1995	Rancourt	439/105
D394,242	S	*	5/1998	Park	D13/146
6,231,358	B1	*	5/2001	Kerr, Jr. et al.	439/140
6,280,246	B1	*	8/2001	Sawayanagi	439/567
6,309,225	B2	*	10/2001	Kameyama	439/692 X

* cited by examiner

Primary Examiner—Joel Sincavage

(74) *Attorney, Agent, or Firm*—Taylor & Aust, P.C.

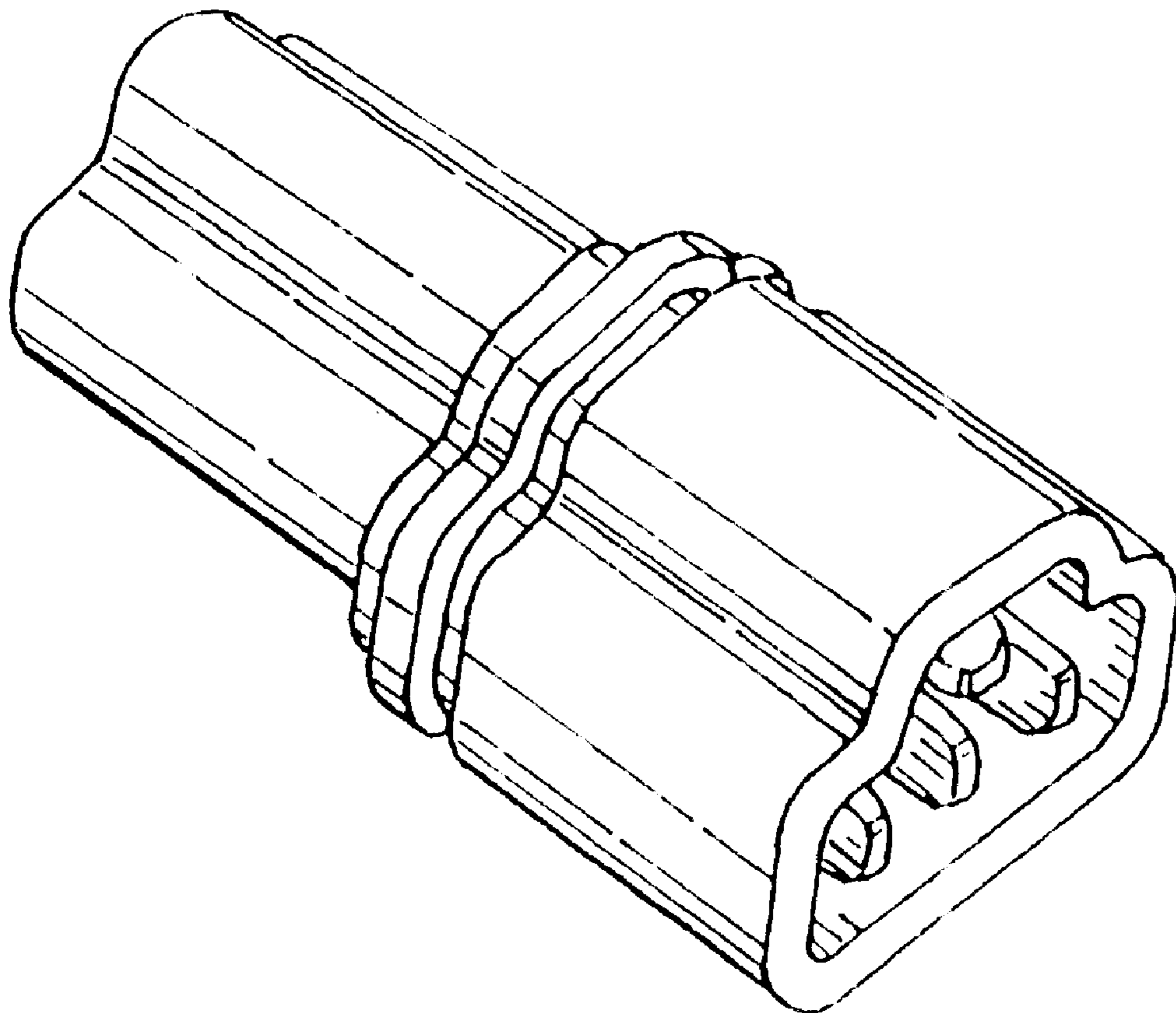
(57) **CLAIM**

The ornamental design for an electrical connector, as shown and described.

DESCRIPTION

FIG. 1 is a perspective view of an electrical connector showing my new design;
FIG. 2 is an end view thereof;
FIG. 3 is an opposite end view thereof;
FIG. 4 is a top view thereof;
FIG. 5 is a bottom view thereof; and,
FIG. 6 is a side view thereof, the opposite side view being substantially identical.

1 Claim, 2 Drawing Sheets



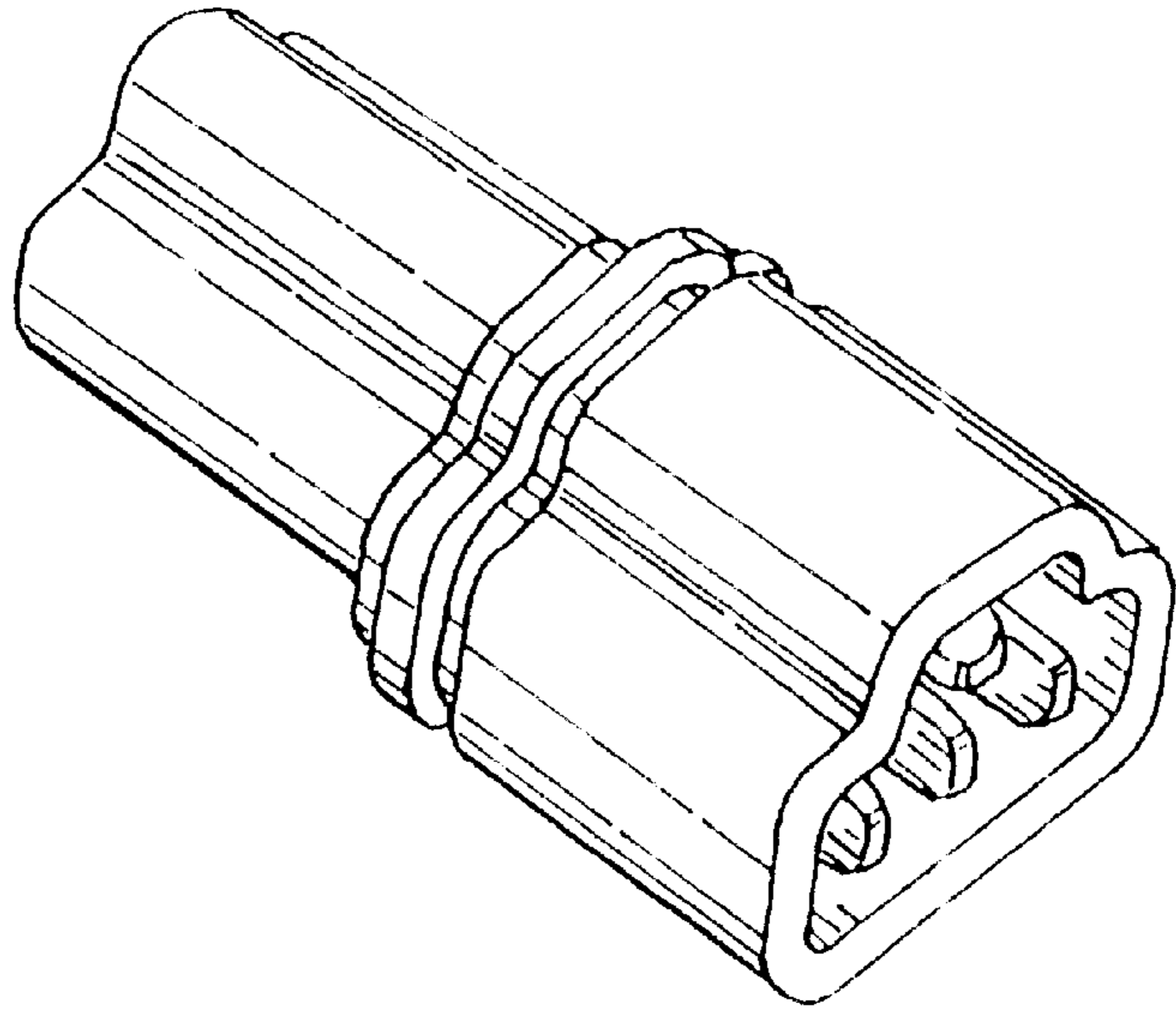


FIG. 1

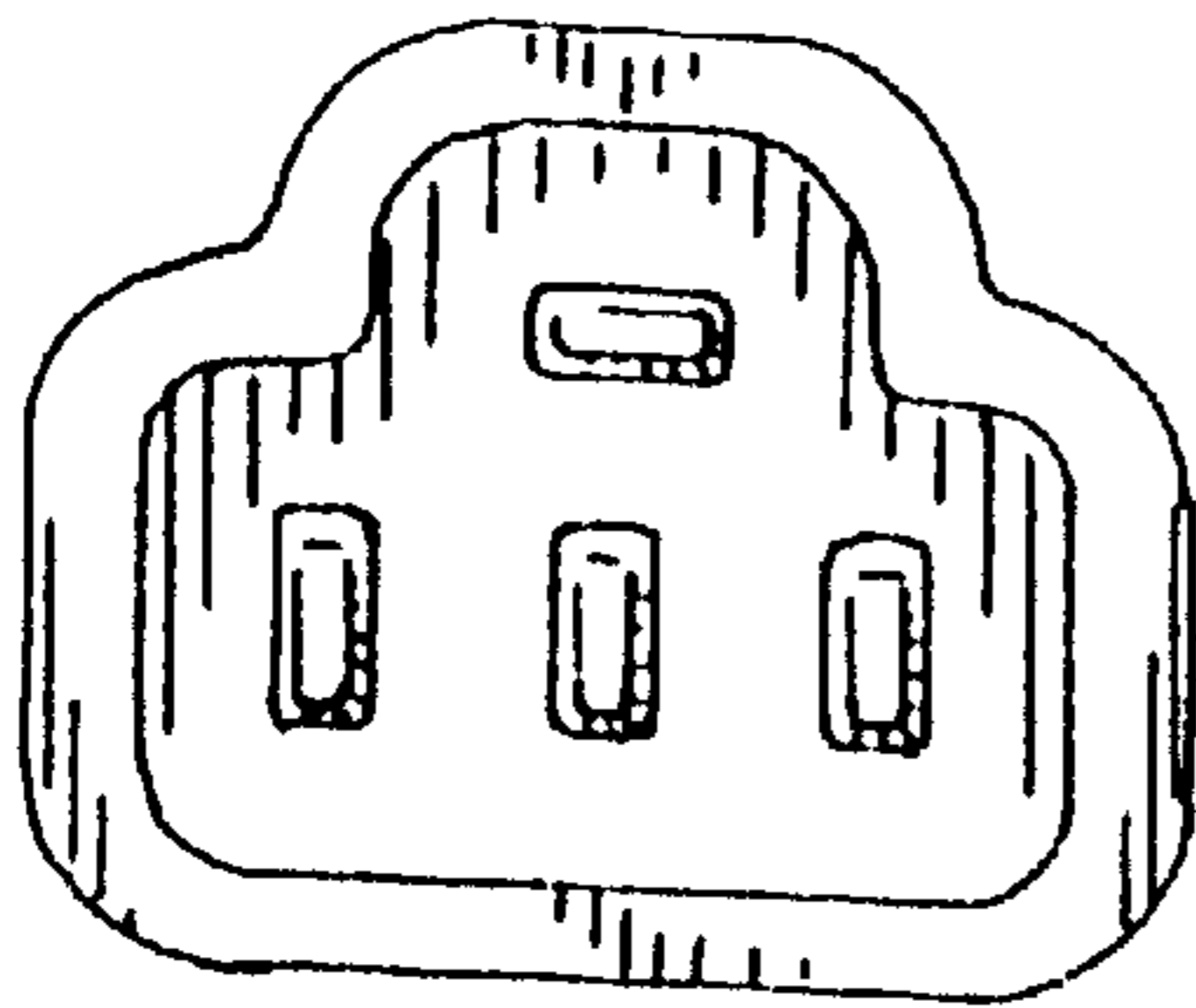


FIG. 2

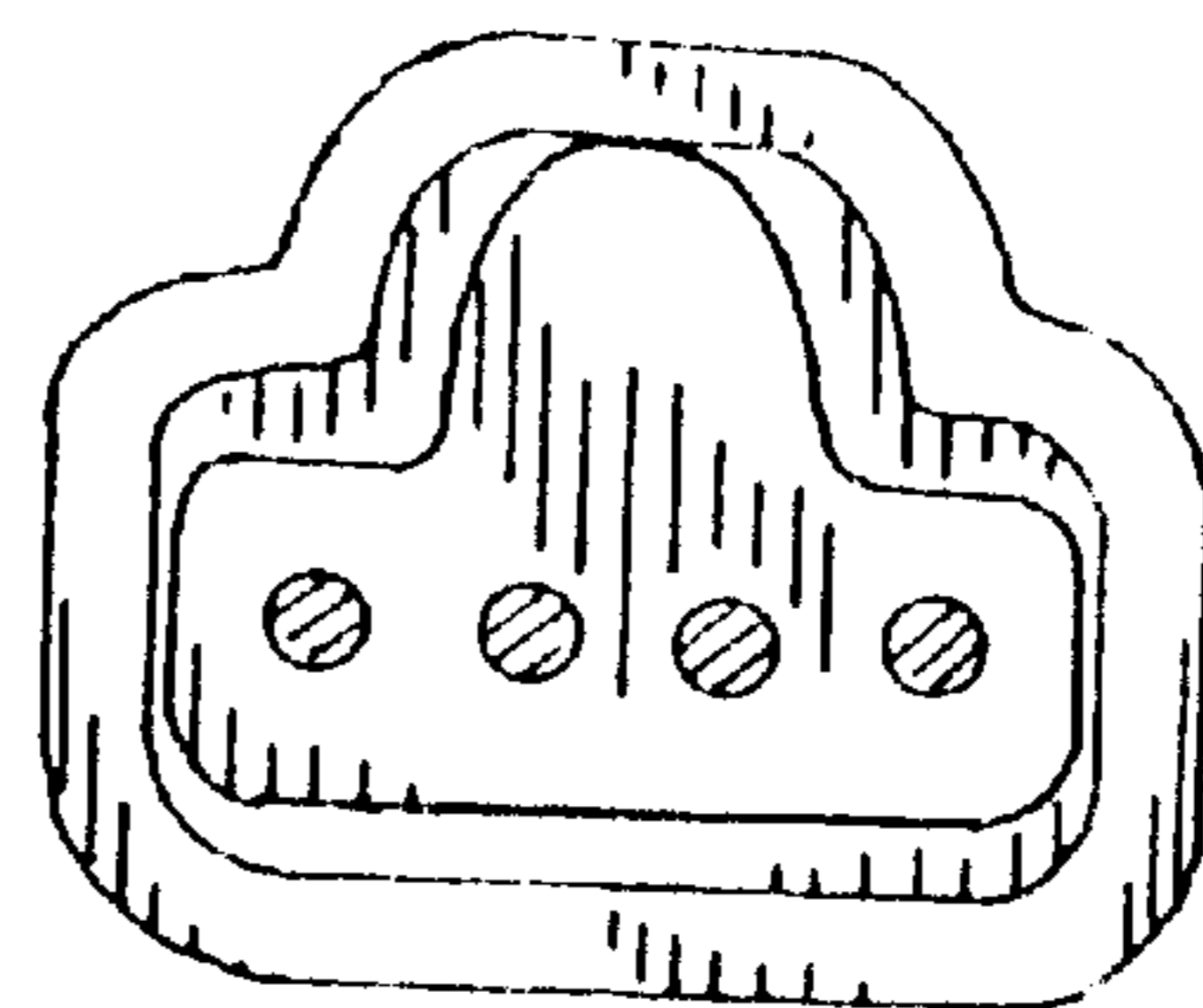


FIG. 3

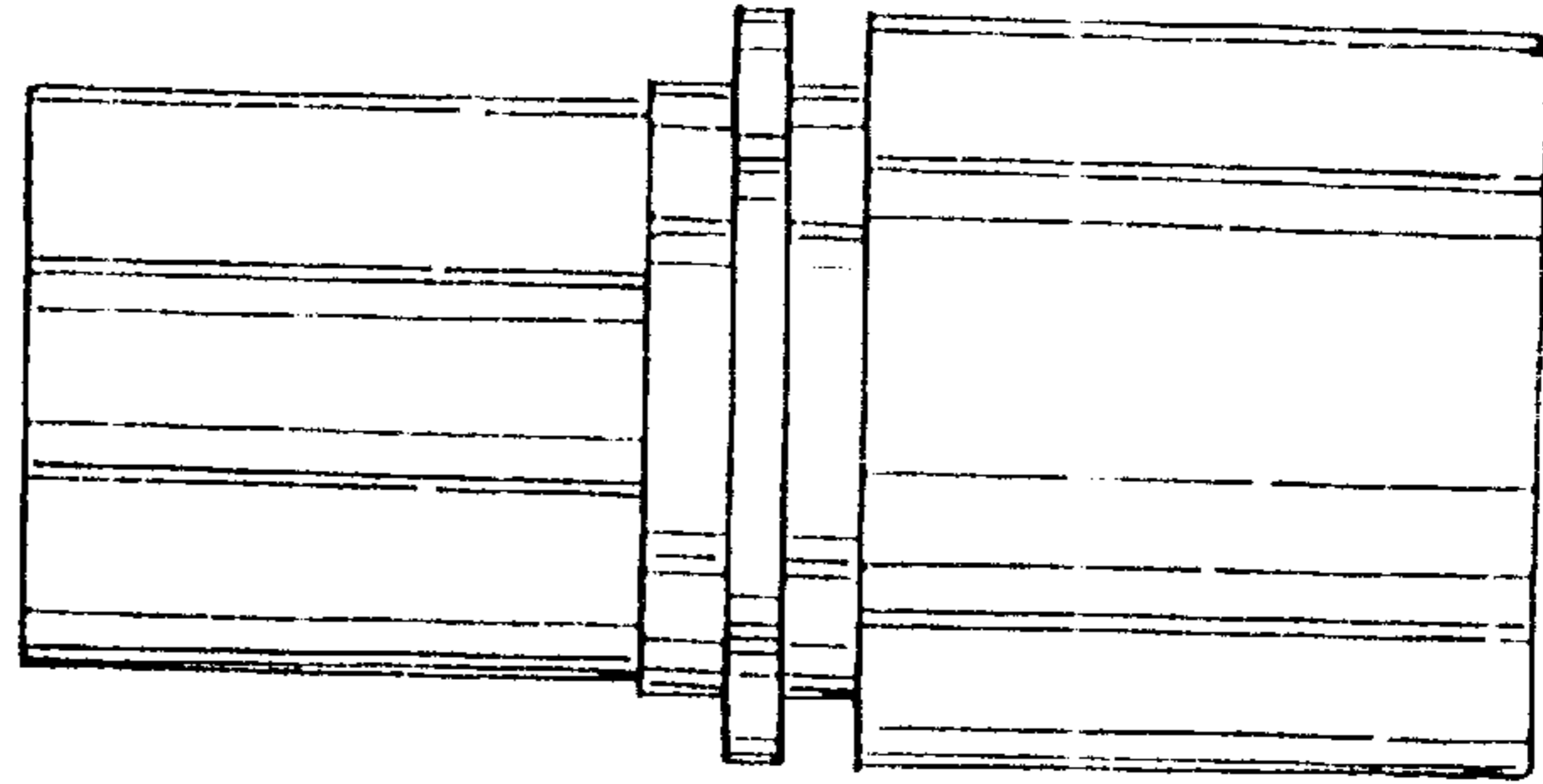


FIG. 4

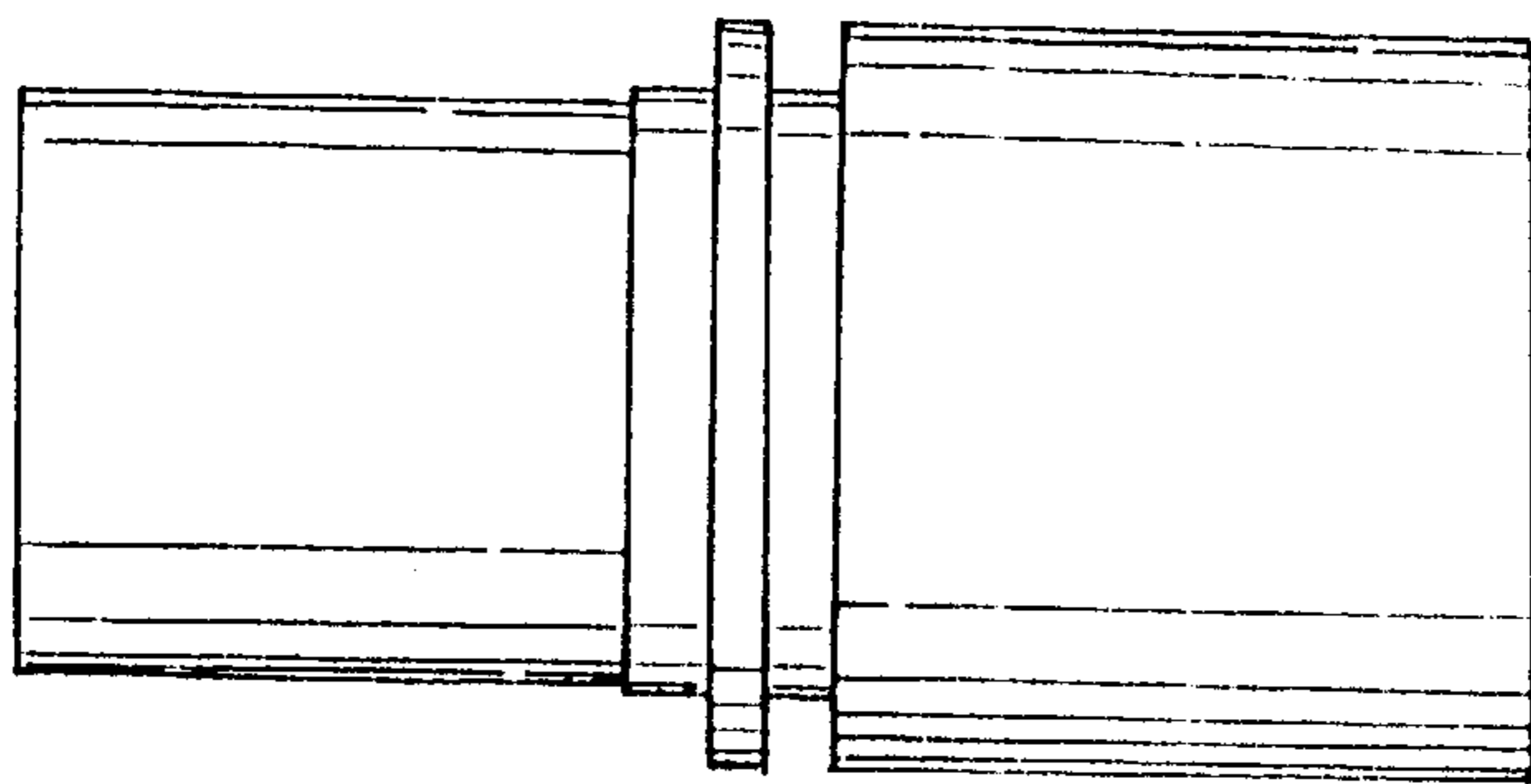


FIG. 5

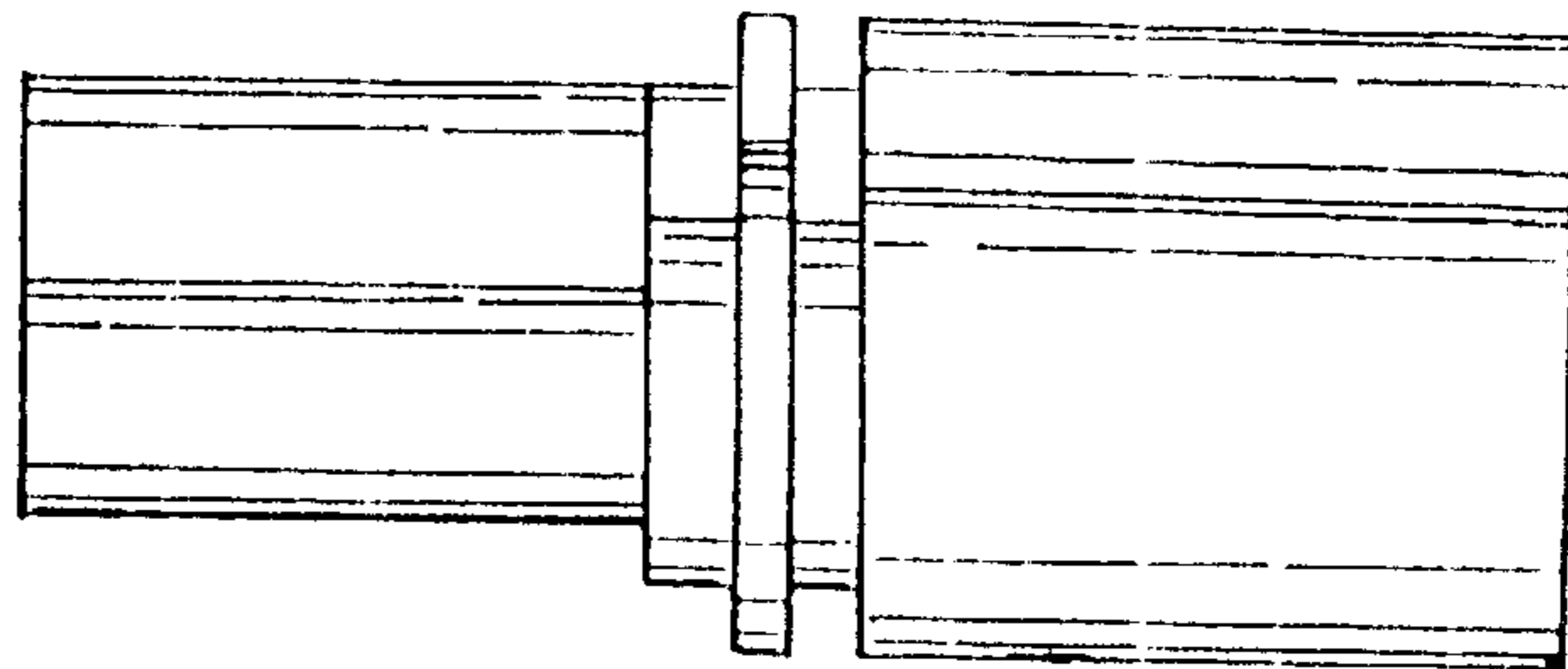


FIG. 6