



US00D460048S

(12) **United States Design Patent**  
**Watanabe**

(10) **Patent No.:** **US D460,048 S**

(45) **Date of Patent:** **\*\* Jul. 9, 2002**

(54) **ELECTRICAL CONNECTOR**

(75) Inventor: **Masashi Watanabe, Akishima (JP)**

(73) Assignee: **Japan Aviation Electronics Industry, Limited, Tokyo (JP)**

(\*\*) Term: **14 Years**

(21) Appl. No.: **29/144,075**

(22) Filed: **Jun. 26, 2001**

(30) **Foreign Application Priority Data**

Jan. 12, 2001 (JP) ..... 2001-003583

(51) **LOC (7) Cl.** ..... **13-03**

(52) **U.S. Cl.** ..... **D13/147**

(58) **Field of Search** ..... D13/147; 439/350,  
439/352, 353, 354, 357, 752, 358

(56) **References Cited**

**U.S. PATENT DOCUMENTS**

- 4,596,436 A \* 6/1986 Kraemer et al. .... 439/752 X
- 4,640,566 A \* 2/1987 Matsusaka ..... 439/350
- 4,769,896 A \* 9/1988 Denlinger et al. .... 29/509
- 5,145,413 A \* 9/1992 Okamoto et al. .... 439/620
- D366,454 S \* 1/1996 Eaton ..... D13/147
- D367,040 S \* 2/1996 Hamada ..... D13/147

- 5,643,003 A \* 7/1997 Myer et al. .... 439/352
- 5,772,452 A \* 6/1998 Aoyama ..... 439/74
- 6,126,470 A \* 10/2000 Ono ..... 439/372 X
- 6,183,276 B1 \* 2/2001 Tsuji et al. .... 439/157
- 6,213,793 B1 \* 4/2001 Norizuki et al. .... 439/157

\* cited by examiner

*Primary Examiner*—Joel Sincavage

(74) *Attorney, Agent, or Firm*—Michael Best & Friedrich LLC; J. Warren Whitesel

(57) **CLAIM**

The ornamental design for an electrical connector, as shown and described.

**DESCRIPTION**

FIG. 1 is a front elevational view of an electrical connector; FIG. 2 is a rear elevational view thereof; FIG. 3 is a right side elevational view thereof; FIG. 4 is an enlarged section view thereof along a line 4—4 in FIG. 1; FIG. 5 is a top plan view thereof; FIG. 6 is a bottom plan view thereof; and, FIG. 7 is a front, top, and right side perspective view thereof. A left side elevational view of the electrical connector is omitted because it is presented symmetrical to the right side elevational view of FIG. 3.

**1 Claim, 4 Drawing Sheets**

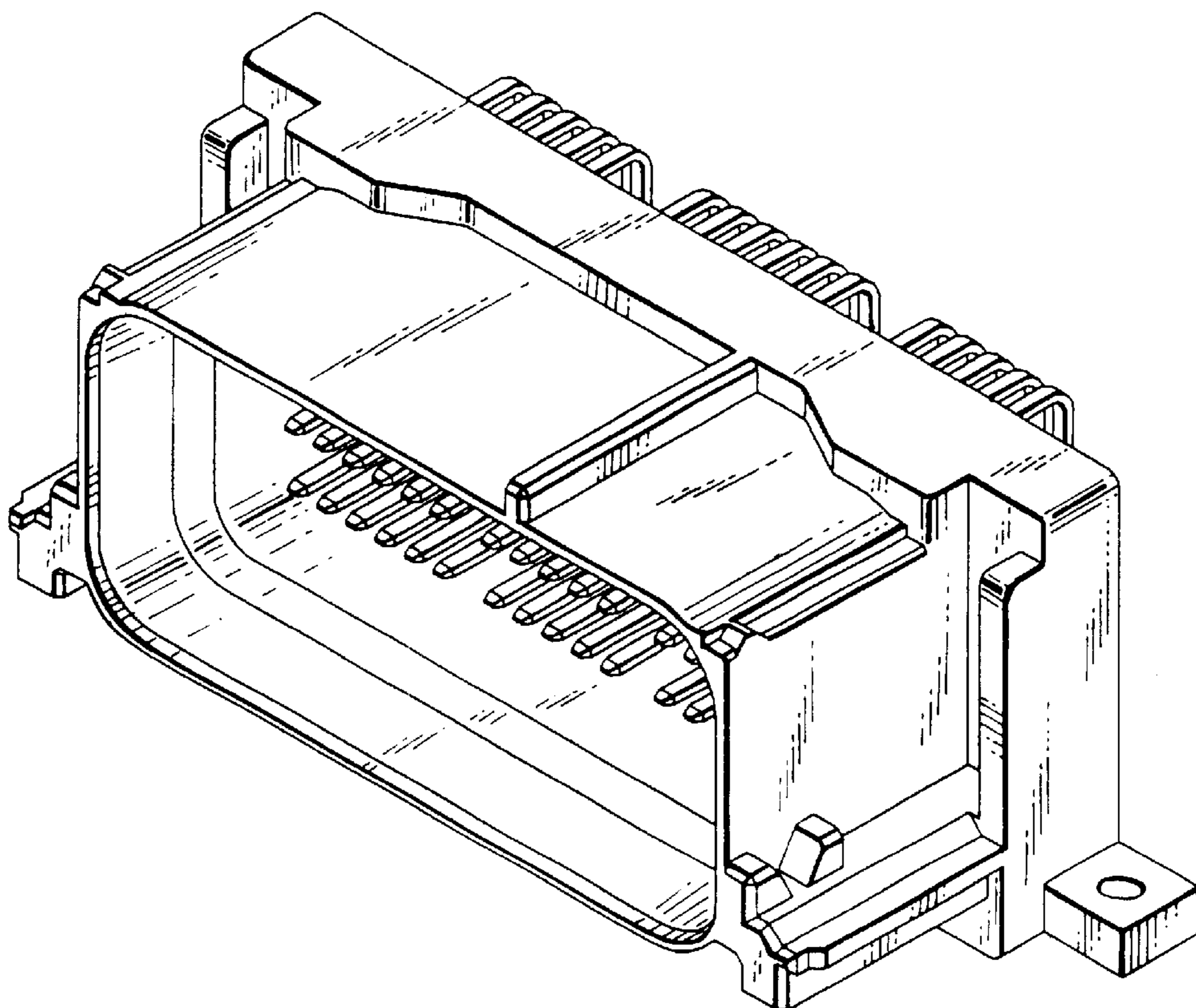


FIG. 1

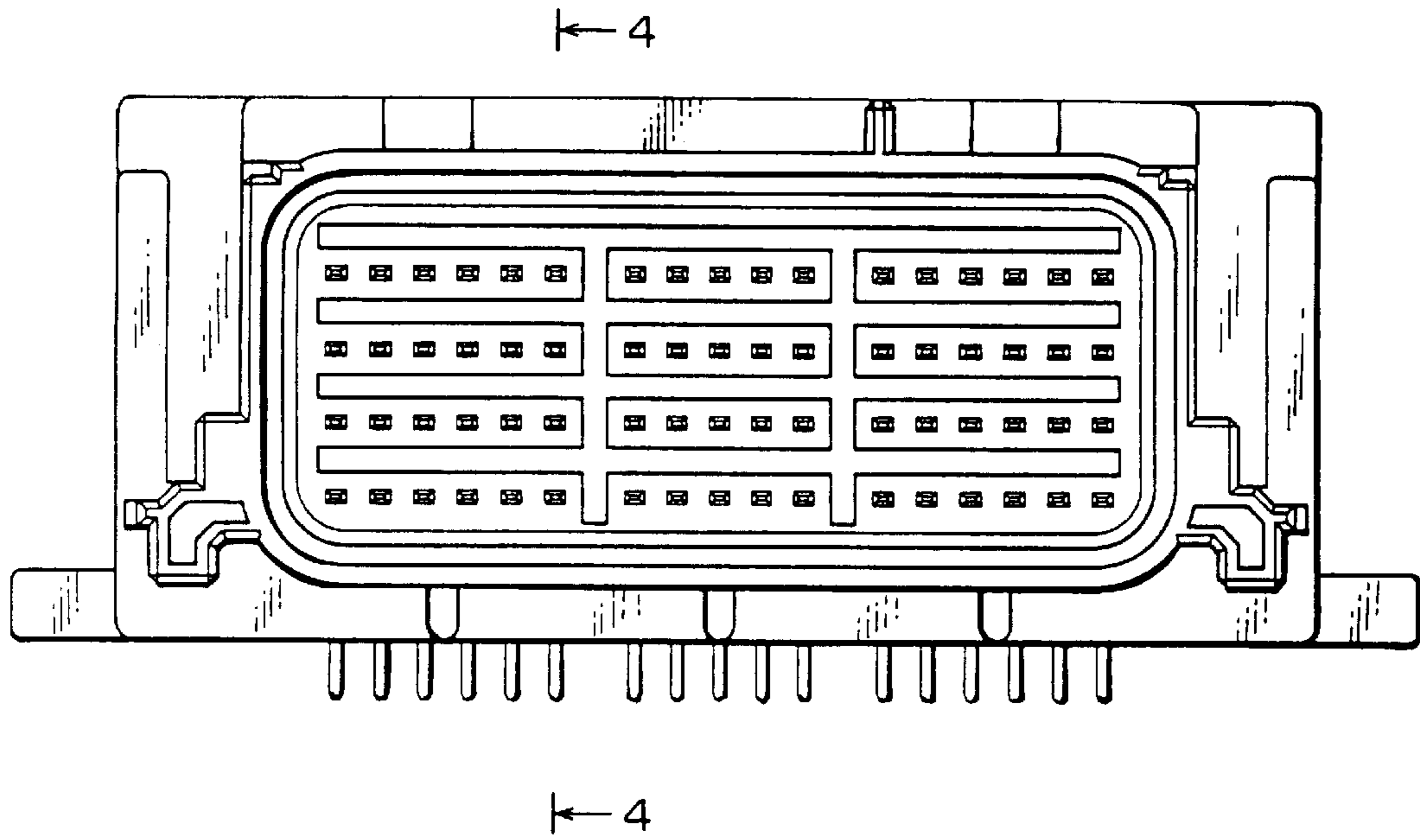


FIG. 2

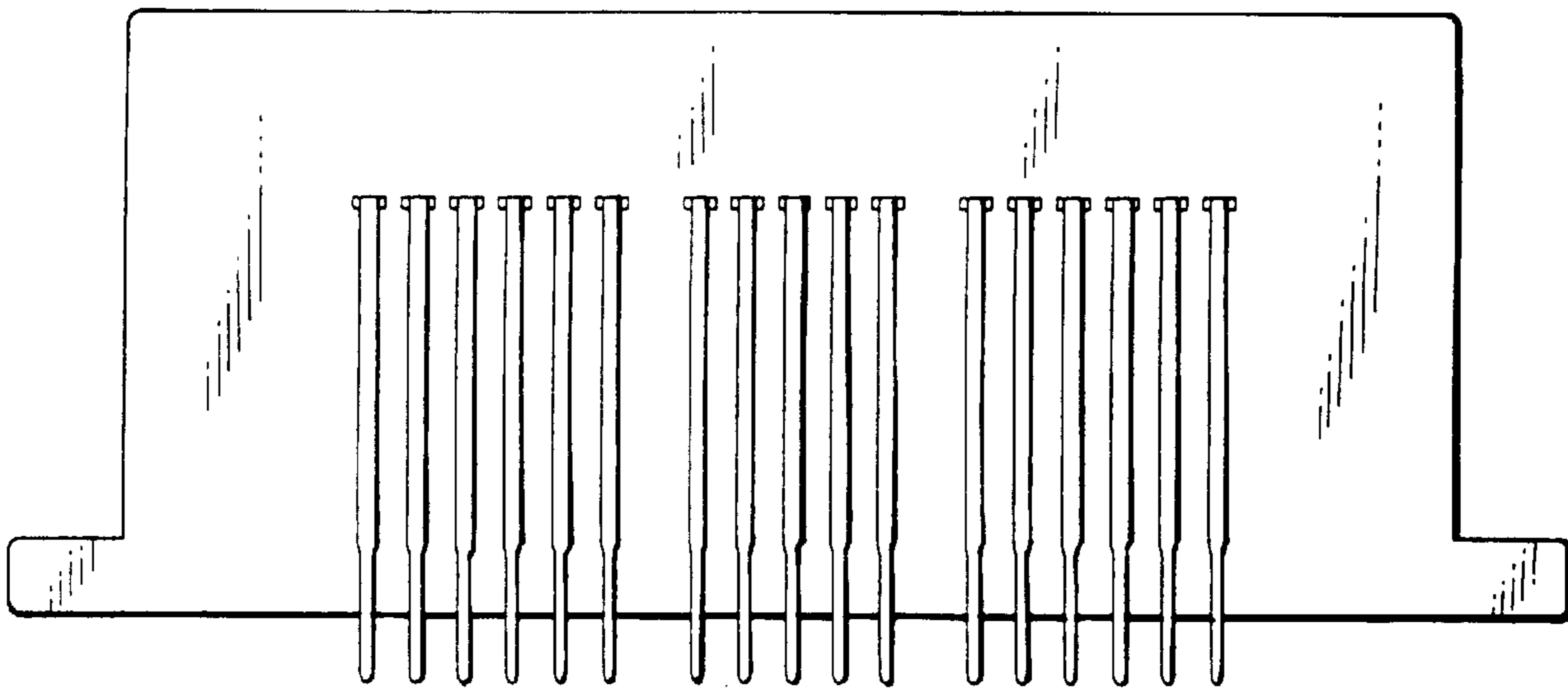


FIG. 3

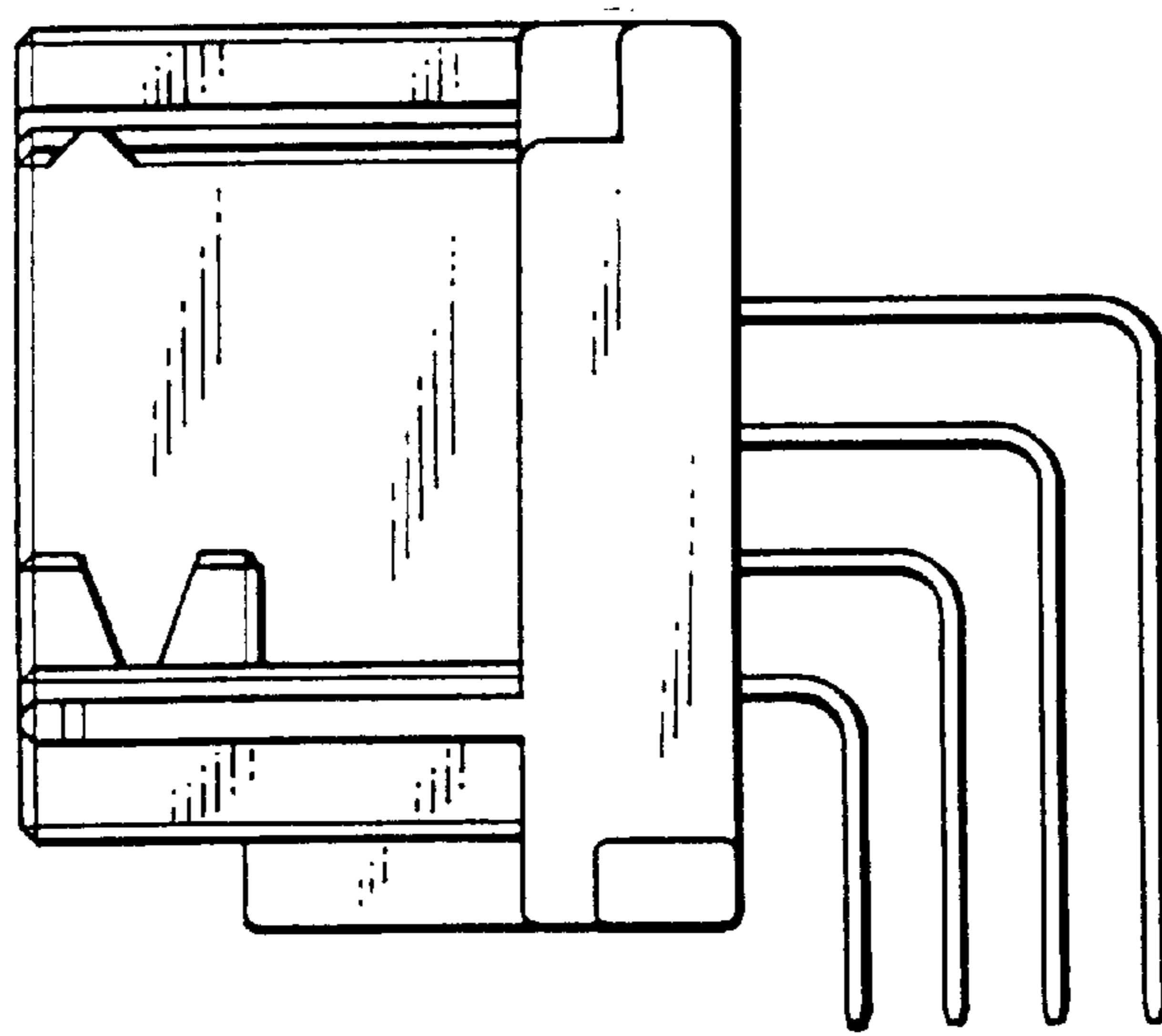


FIG. 4

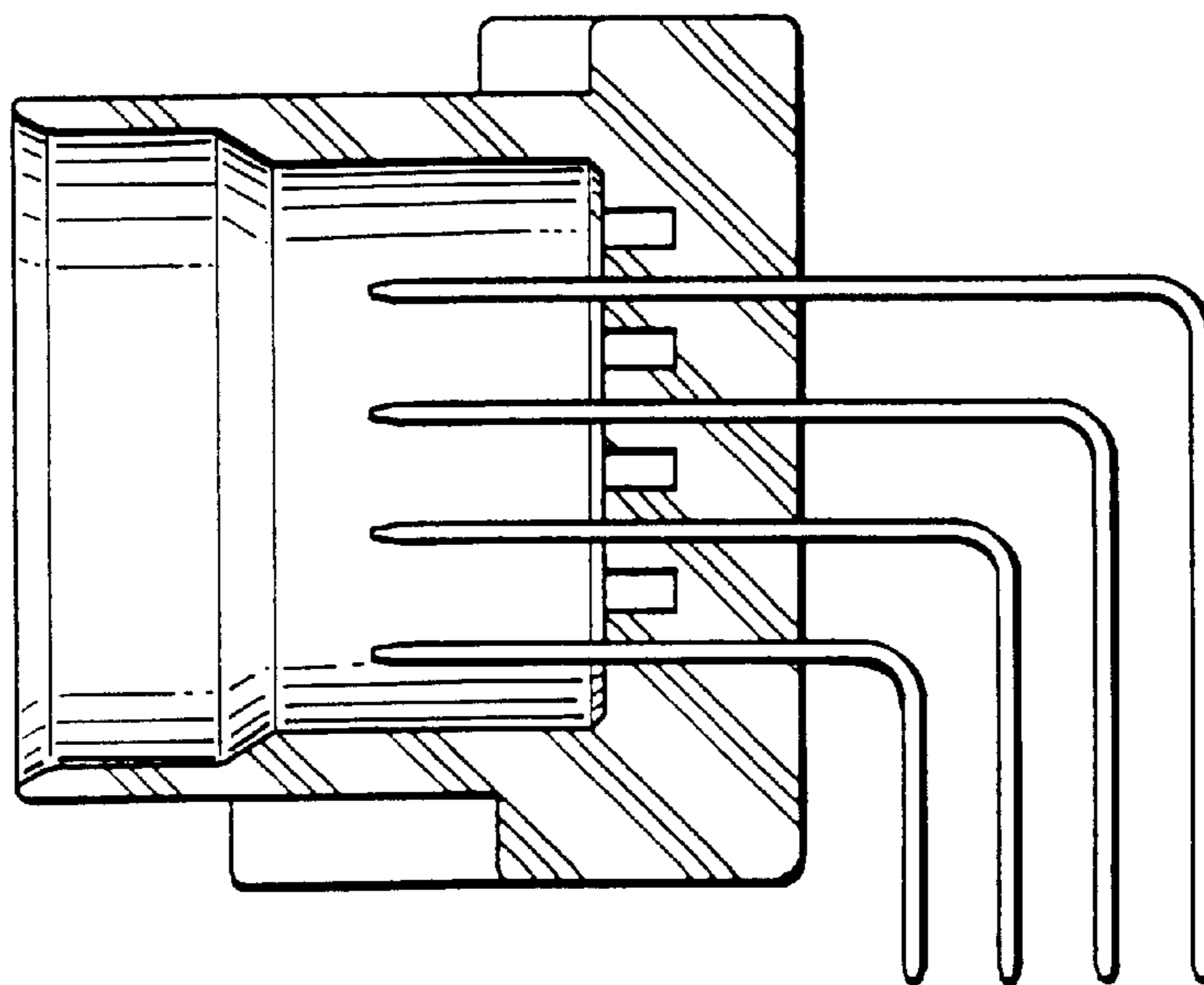


FIG. 5

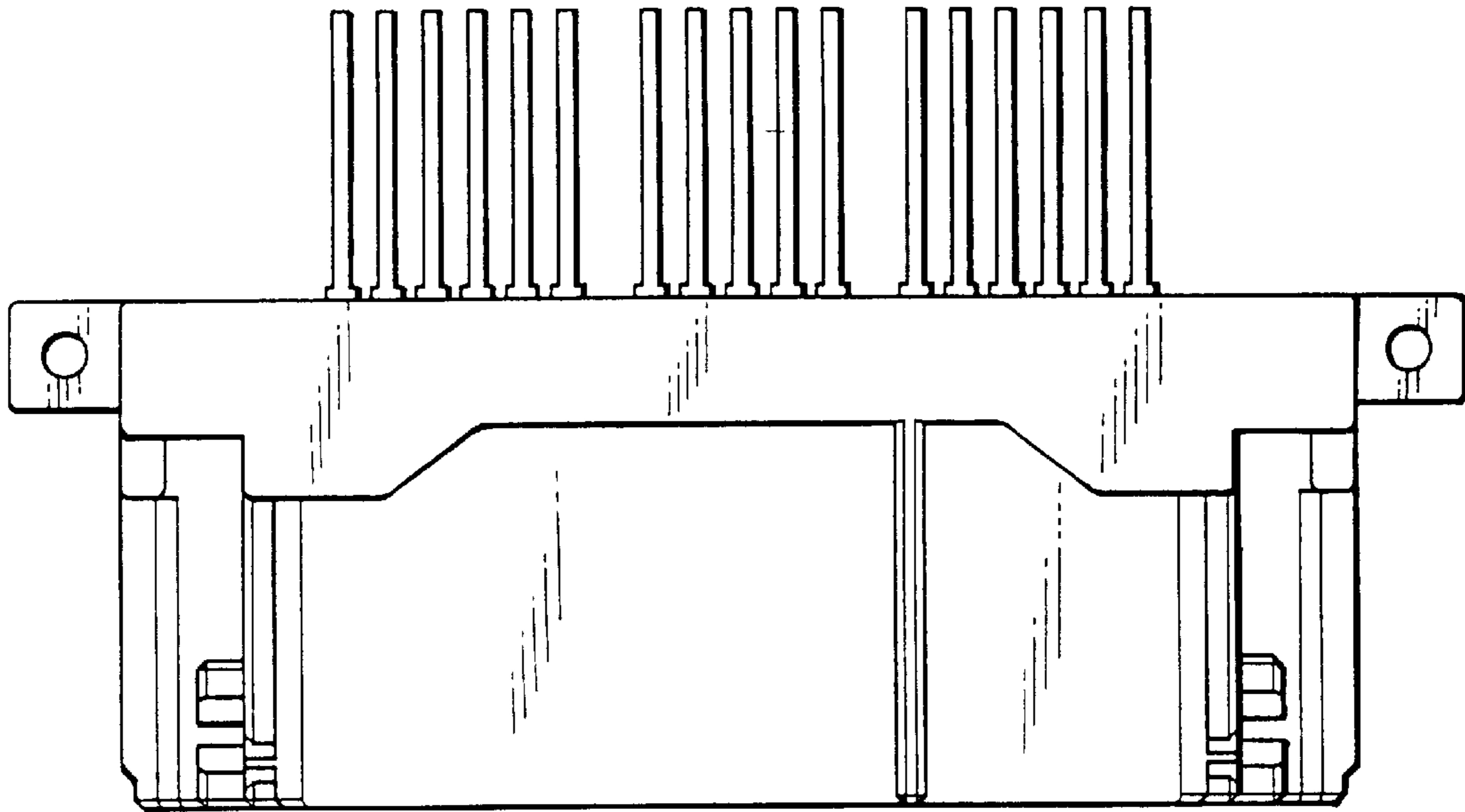


FIG. 6

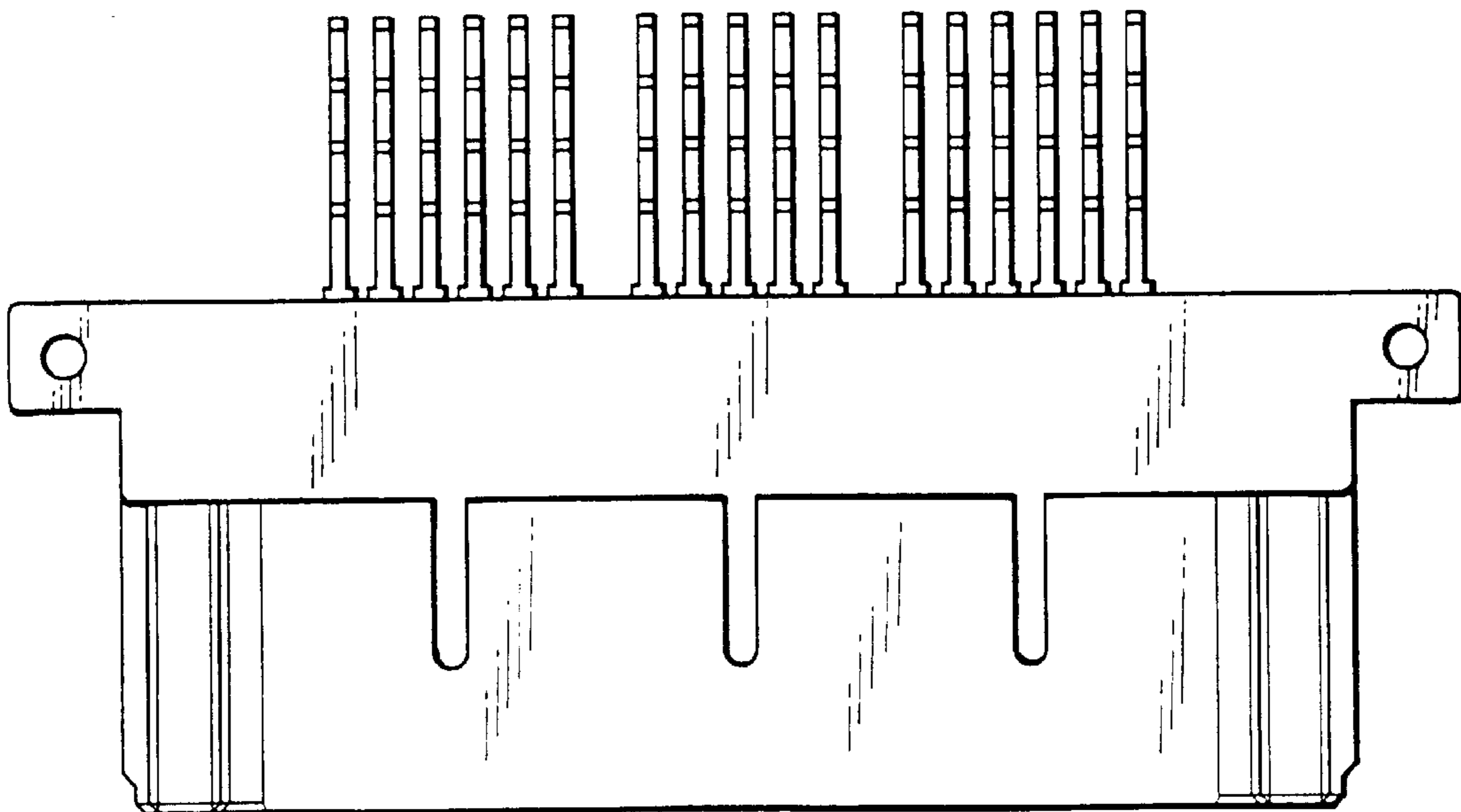


FIG. 7

