



US00D460045S

(12) **United States Design Patent**
Larsen

(10) **Patent No.:** **US D460,045 S**

(45) **Date of Patent:** **** Jul. 9, 2002**

(54) **TEN POSITION POWER SOCKET CONNECTOR**

(75) Inventor: **Russell G. Larsen**, San Jose, CA (US)

(73) Assignee: **TVM Group, Inc.**, Fremont, CA (US)

(**) Term: **14 Years**

(21) Appl. No.: **29/131,418**

(22) Filed: **Oct. 19, 2000**

(51) **LOC (7) Cl.** **13-03**

(52) **U.S. Cl.** **D13/147**

(58) **Field of Search** D13/147; 439/378,
439/677-680, 752

(56) **References Cited**

U.S. PATENT DOCUMENTS

3,493,916	A	*	2/1970	Hansen	439/79
4,812,133	A	*	3/1989	Fleak et al.	439/248
D366,241	S		1/1996	Eaton	D13/147
D366,454	S		1/1996	Eaton	D13/147
5,575,690	A		11/1996	Eaton	439/717
5,674,094	A	*	10/1997	Hutchinson, Jr. et al.	...	439/680
D412,489	S		8/1999	Middlehurst et al.	D13/147
D434,726	S		12/2000	Middlehurst	D13/147

* cited by examiner

Primary Examiner—Joel Sincavage

(74) *Attorney, Agent, or Firm*—Flehr Hohbach Test Albritton & Herbert LLP

(57) **CLAIM**

The ornamental design for a ten position power socket connector, as shown and described.

DESCRIPTION

FIG. 1 is a perspective view of the ten position power socket connector of my new design;

FIG. 2 is a top plan view of the ten position power socket connector of my new design;

FIG. 3 is a bottom plan view of ten position power socket connector shown in FIG. 1;

FIG. 4 is a front elevational view of the ten position power socket connector shown in FIG. 1.

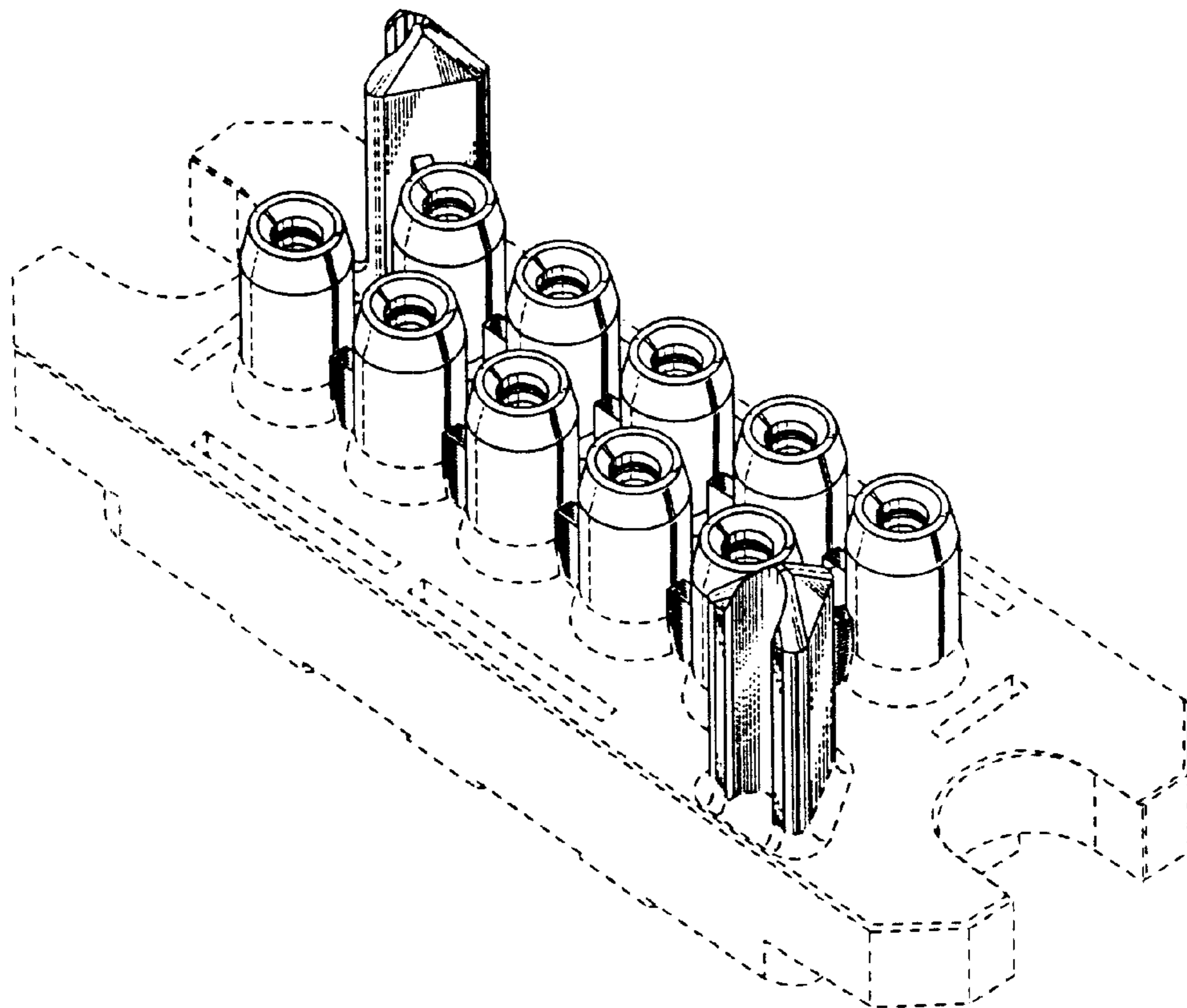
FIG. 5 is a rear elevational view of the ten position power socket connector shown in FIG. 1.

FIG. 6 is a right side elevational view of the ten position power socket connector shown in FIG. 1; and,

FIG. 7 is a left side elevational view of the ten position power socket connector shown in FIG. 1.

The broken lines showing throughout the drawing figures are included for the purpose of illustrating environmental structure only and form no part of the claimed design.

1 Claim, 3 Drawing Sheets



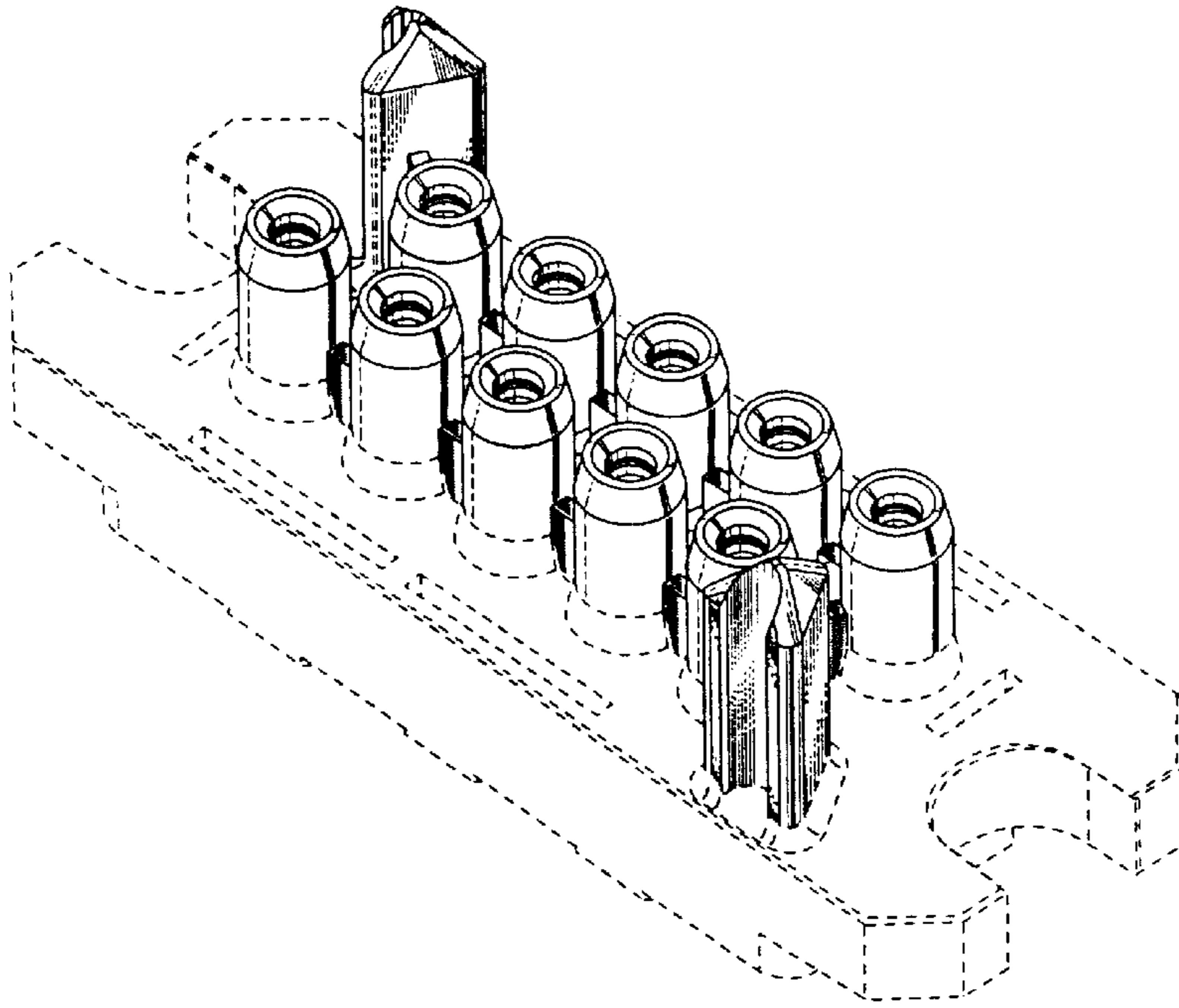


Fig. 1

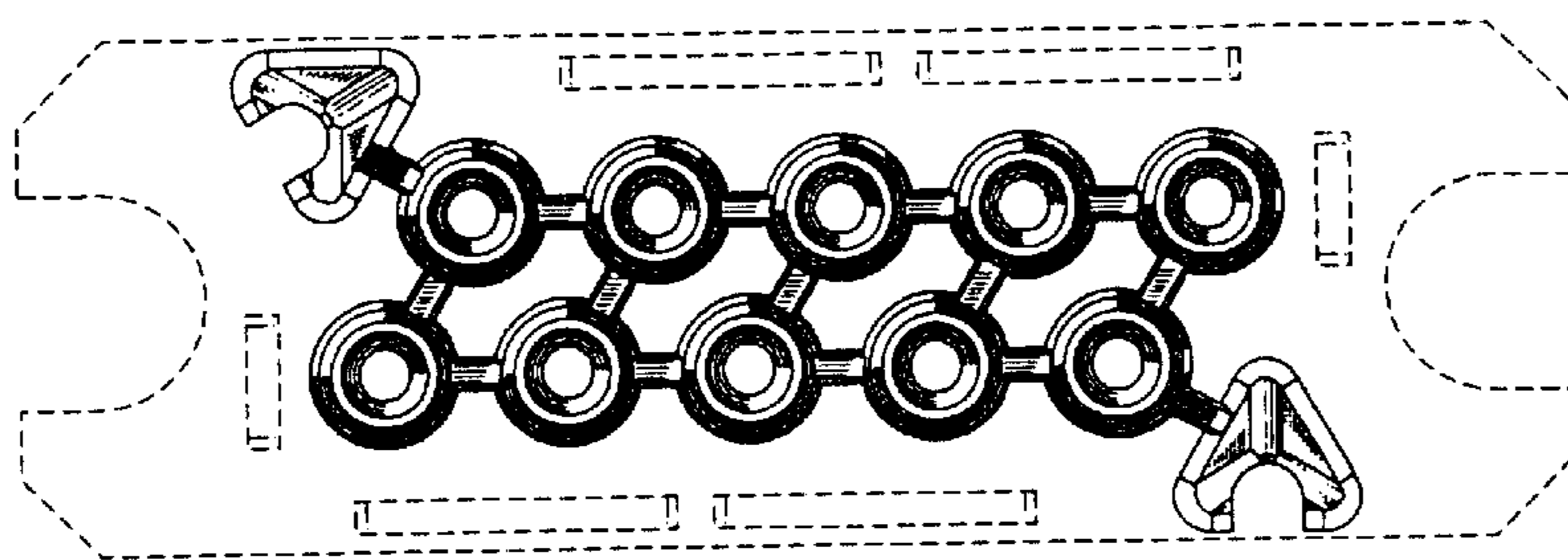


Fig. 2

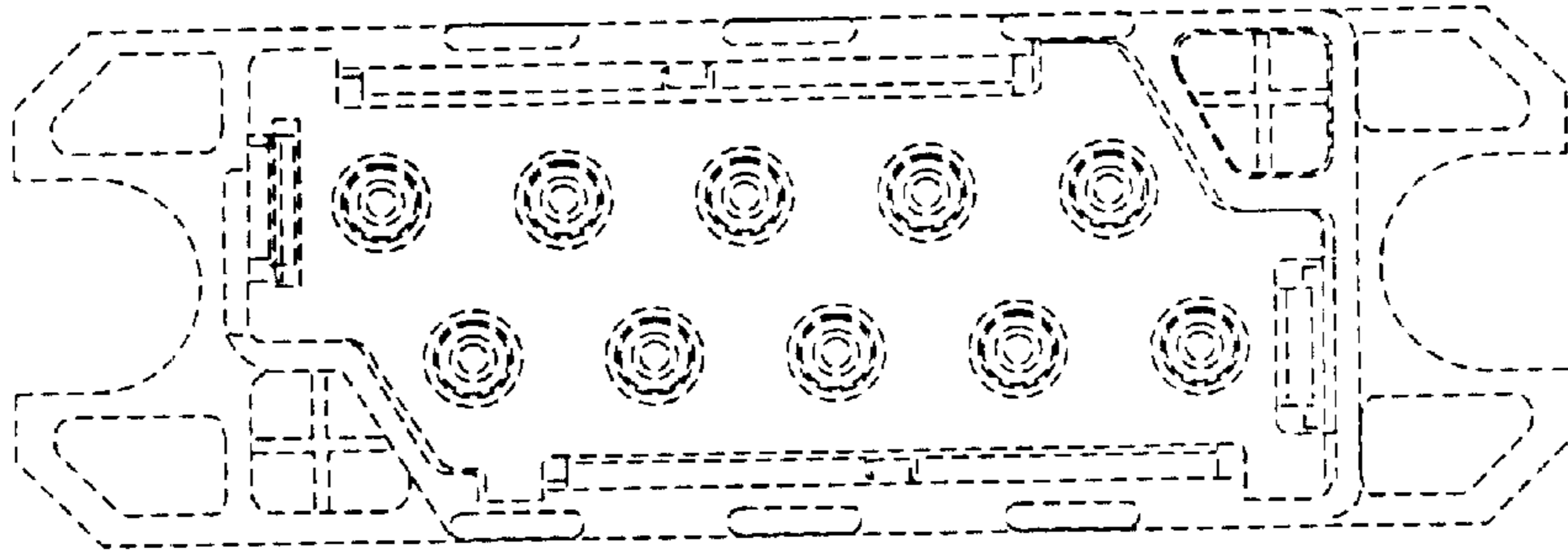


Fig. 3

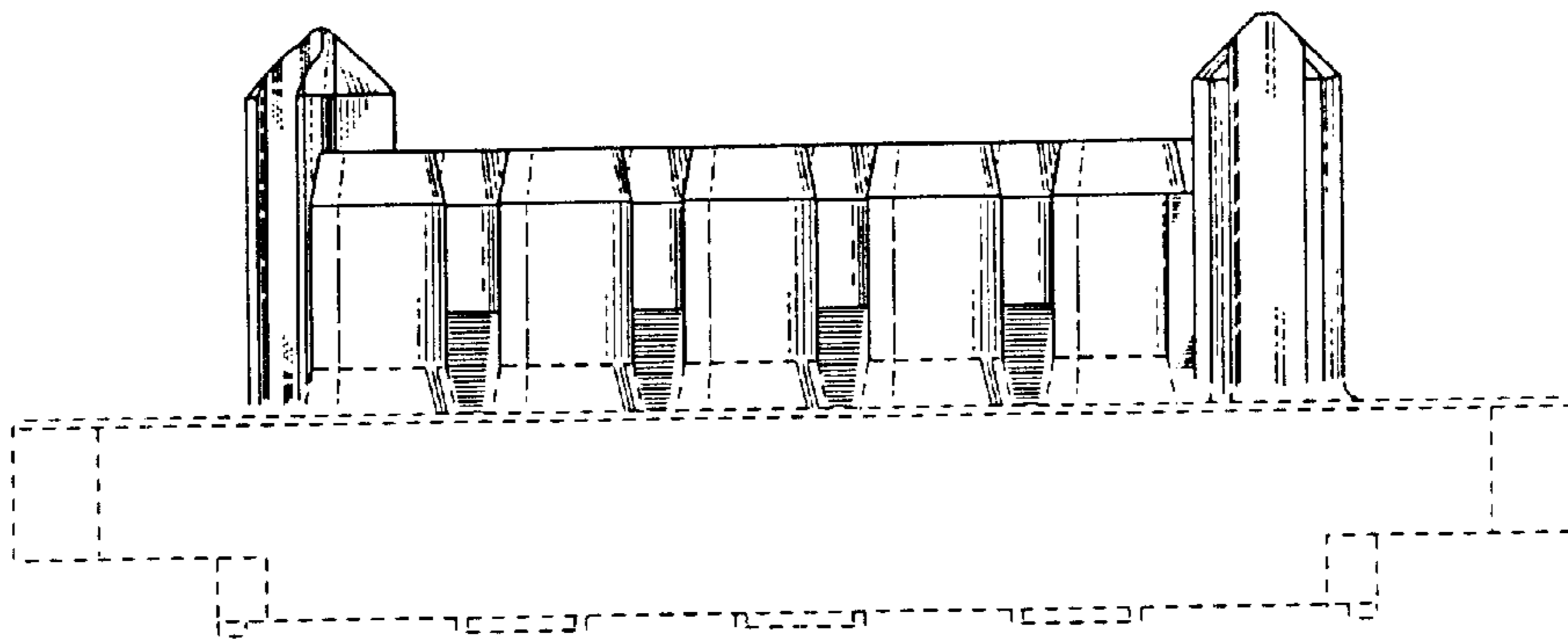


Fig. 4

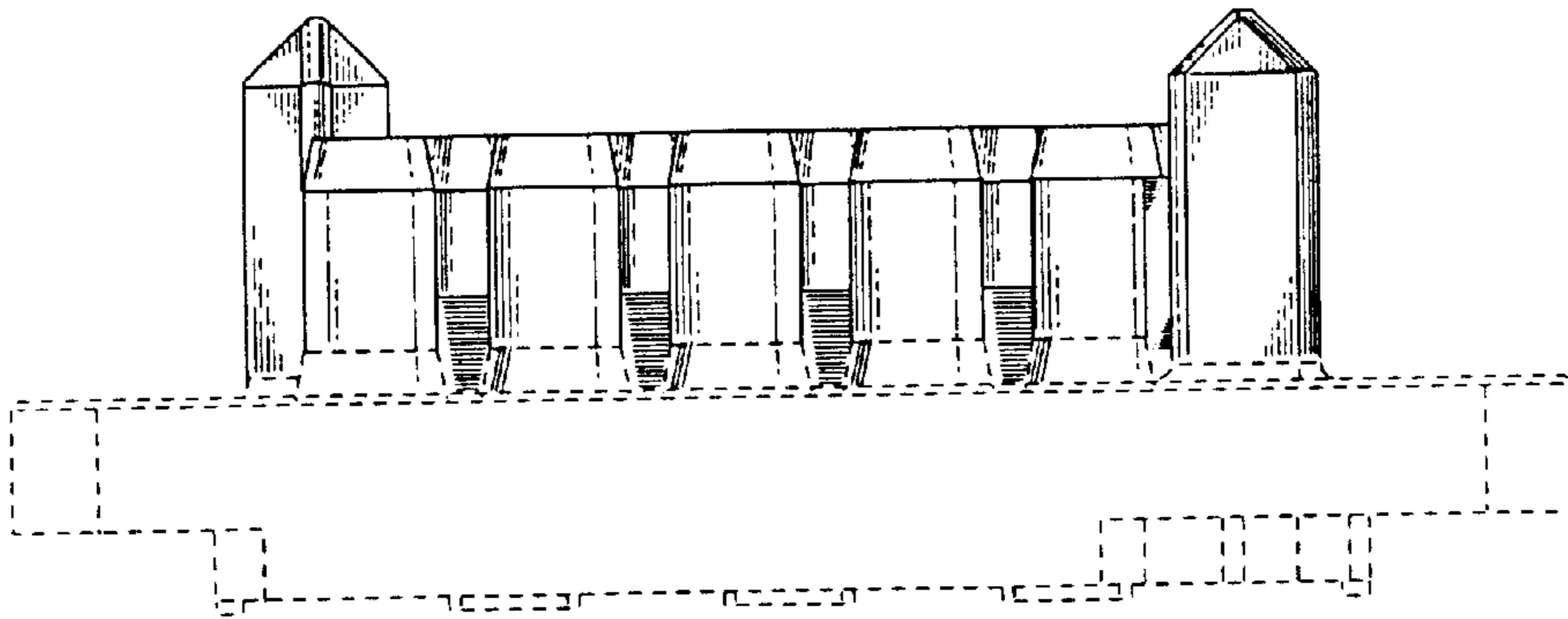


Fig. 5

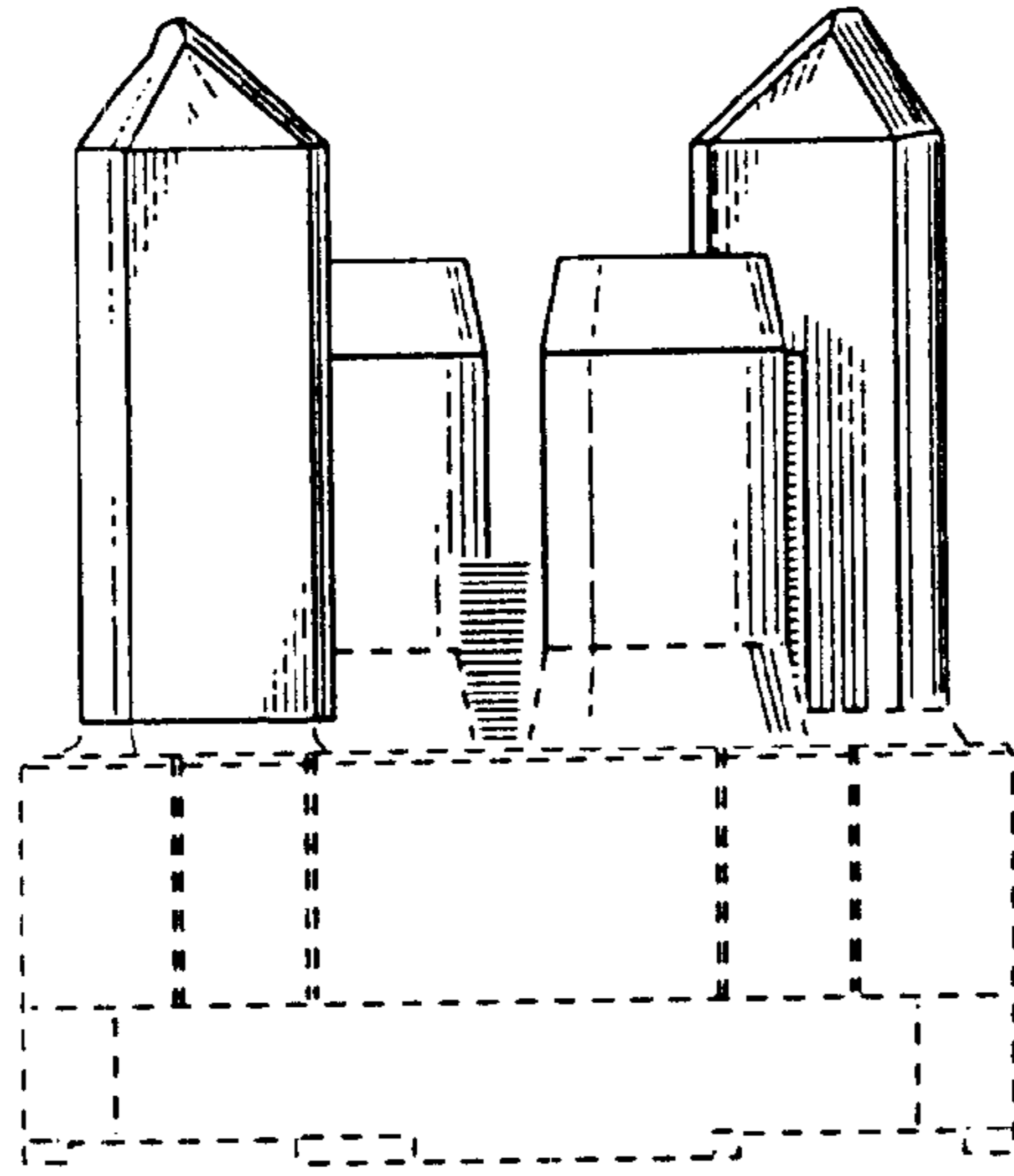


Fig. 6

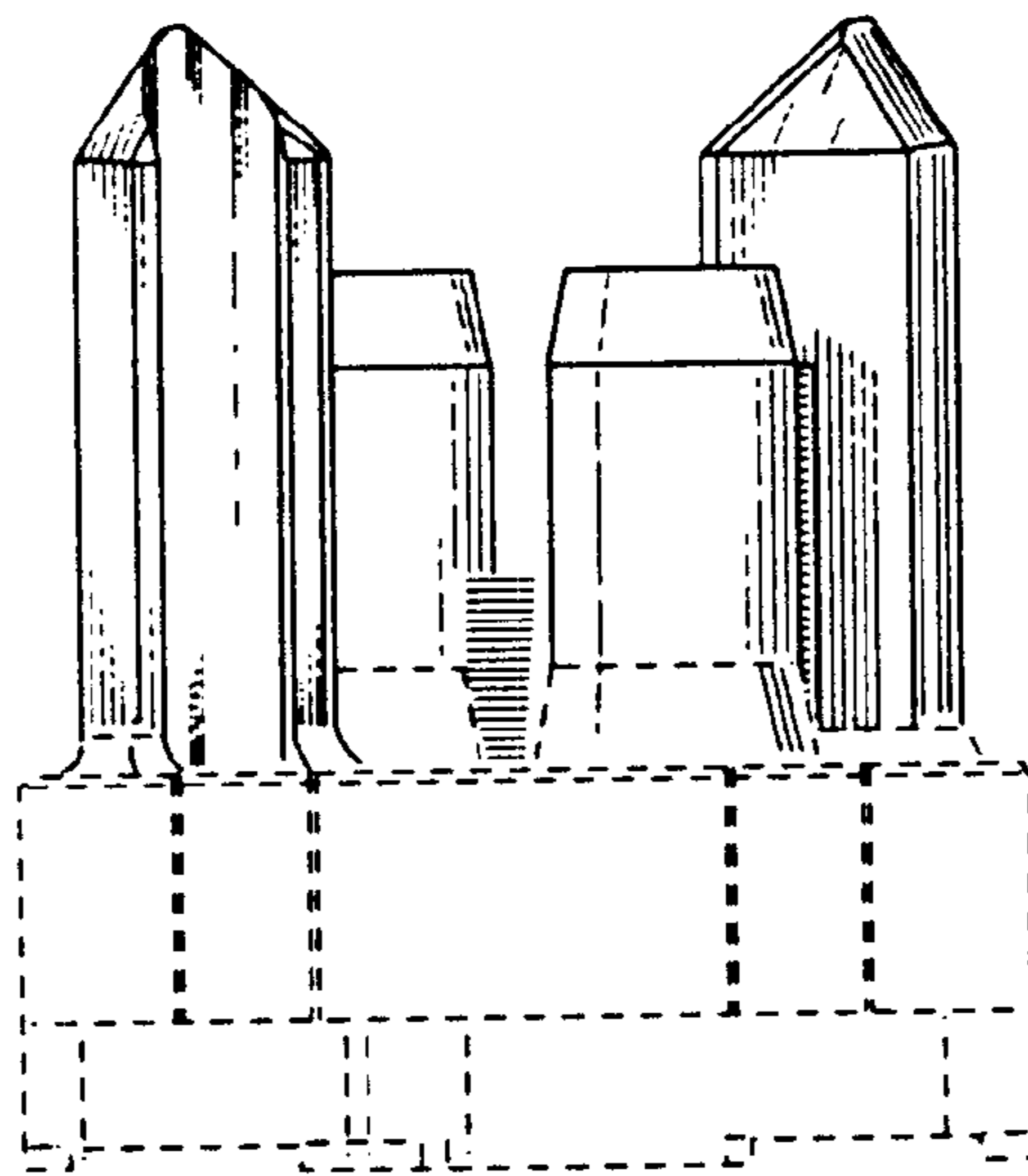


Fig. 7