



US00D460043S

(12) **United States Design Patent**
Fan Wong

(10) **Patent No.:** **US D460,043 S**

(45) **Date of Patent:** **** Jul. 9, 2002**

(54) **PLUG FOR A DECORATIVE LIGHT STRING**

6,340,233 B1 * 1/2002 Shieh 362/102

(76) Inventor: **Tsui-Tuan Fan Wong**, 15th Fl.-D, No. 81, Sec. 1, Hsintai 5th Rd., Hsitzu City, Taipei Hsien (TW)

* cited by examiner

(**) Term: **14 Years**

Primary Examiner—Joel Sincavage
(74) *Attorney, Agent, or Firm*—Alan Kamrath; Rider, Bennett, Egan & Arundel, LLP

(21) Appl. No.: **29/137,244**

(57) **CLAIM**

(22) Filed: **Feb. 15, 2001**

The ornamental design for a plug for a decorative light string, as shown and described.

(51) **LOC (7) Cl.** **13-03**

(52) **U.S. Cl.** **D13/133**

(58) **Field of Search** D13/133, 138.1; 439/188, 502, 505; 315/185 S; 362/123

DESCRIPTION

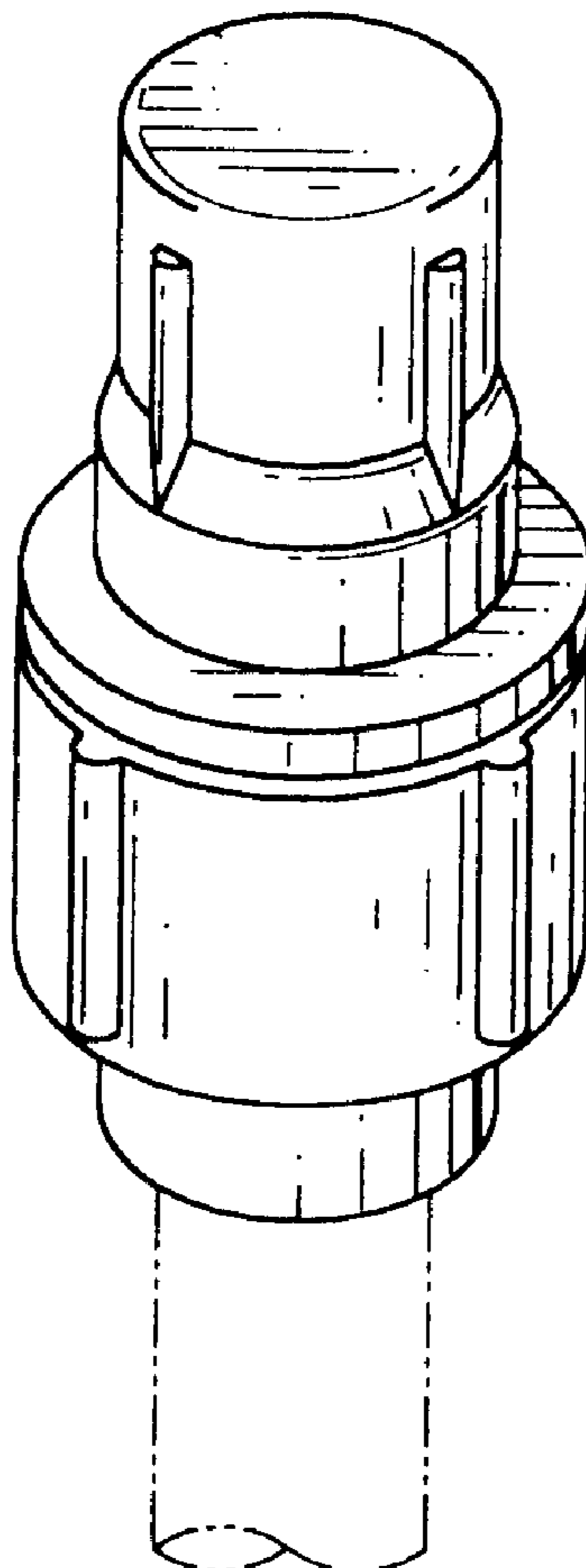
(56) **References Cited**

U.S. PATENT DOCUMENTS

- 4,227,228 A * 10/1980 Cheng 315/185 S X
- D287,241 S * 12/1986 Mow D13/133
- D337,989 S * 8/1993 Lee D13/133
- 5,277,948 A * 1/1994 Daun 315/185 S X
- 5,281,158 A * 1/1994 Lin 439/188
- D373,568 S * 9/1996 Bloom et al. D13/133
- 5,834,901 A * 11/1998 Shen 315/185 S
- 6,042,418 A * 3/2000 Cummings 439/505

FIG. 1 is a front-right-top perspective view of a plug for a decorative light string, showing my new design; FIG. 2 is a front elevational view thereof; FIG. 3 is a rear elevational view thereof; FIG. 4 is a left elevational view thereof; FIG. 5 is a right elevational view thereof; FIG. 6 is top plan view thereof; FIG. 7 is a bottom plan view thereof; and, FIG. 8 is a perspective view thereof, the element shown in broken lines is for illustrative purpose only and forms no part of the claimed design.

1 Claim, 3 Drawing Sheets



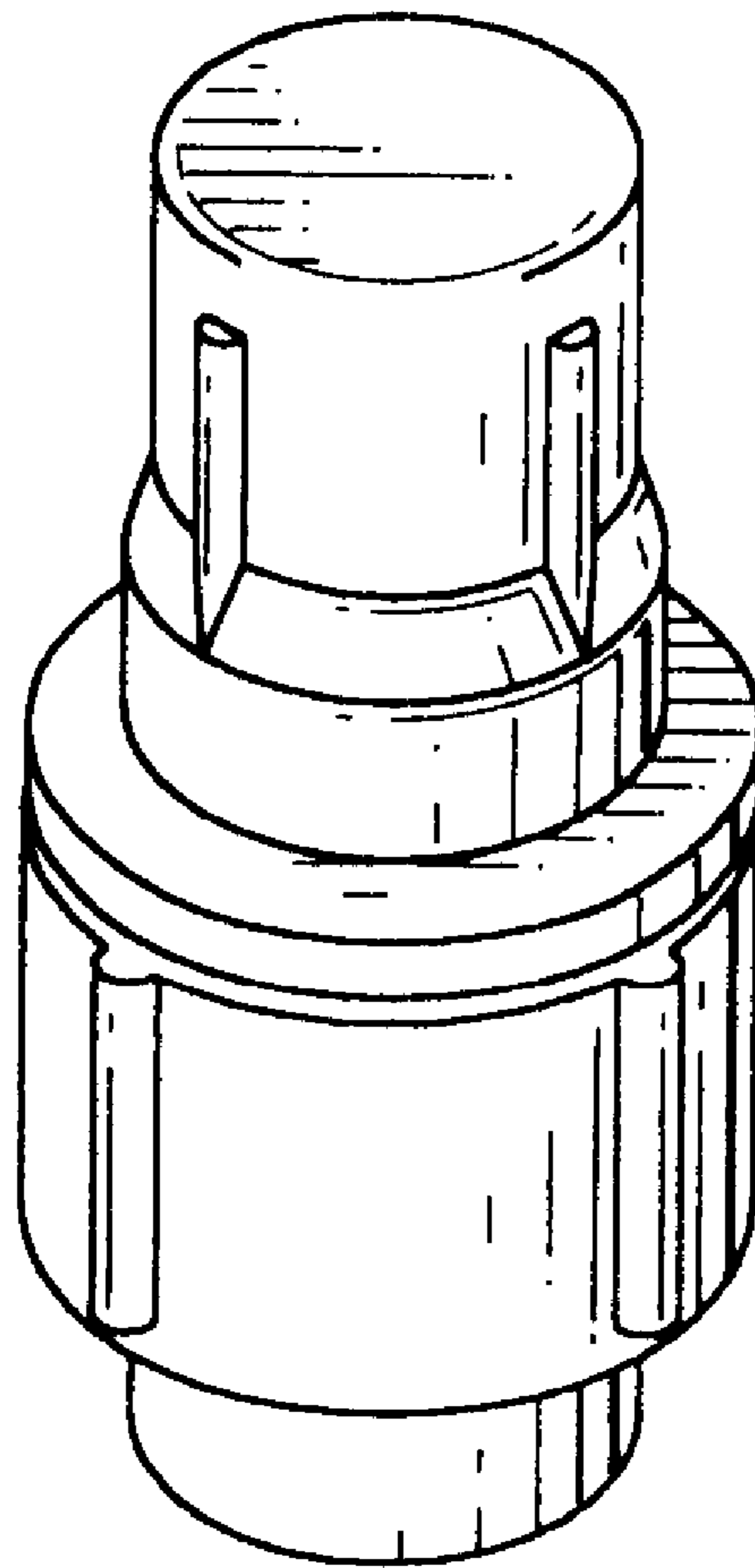


FIG. 1

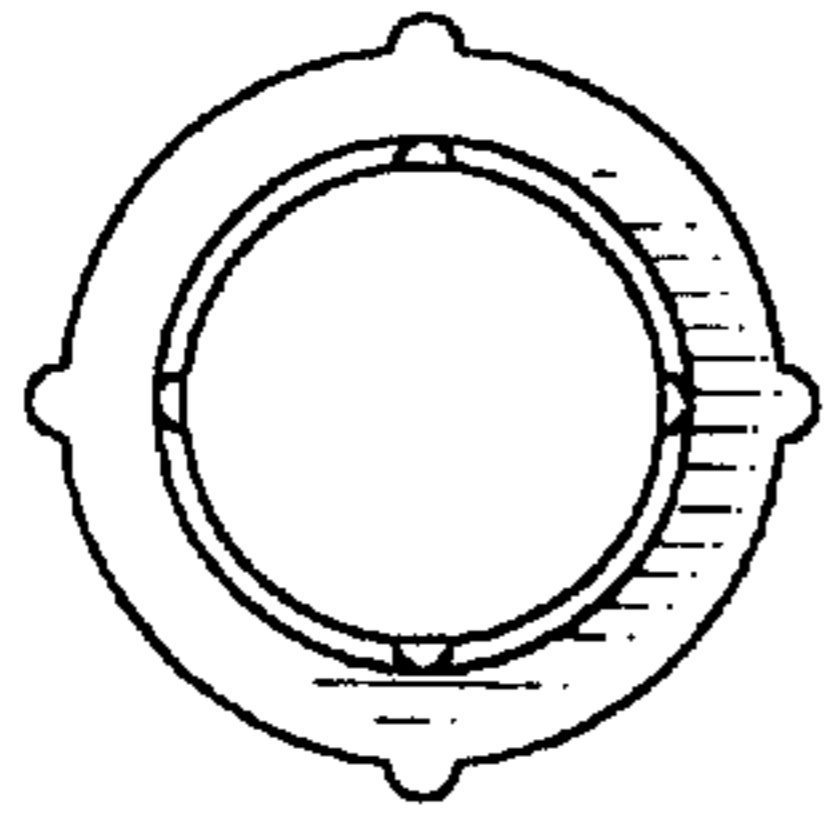


FIG. 6

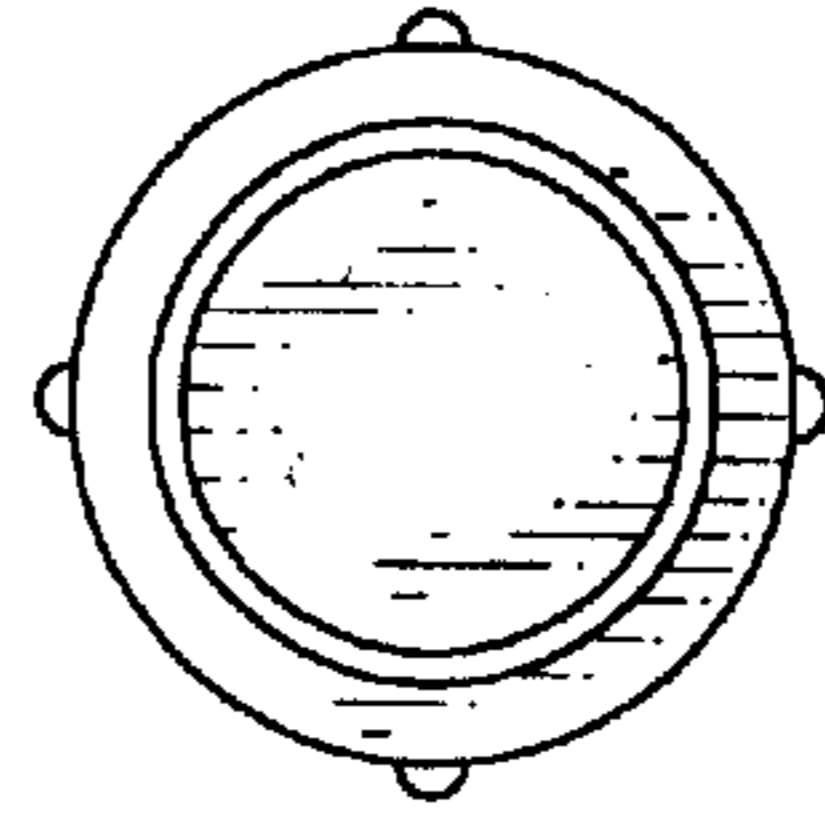


FIG. 7

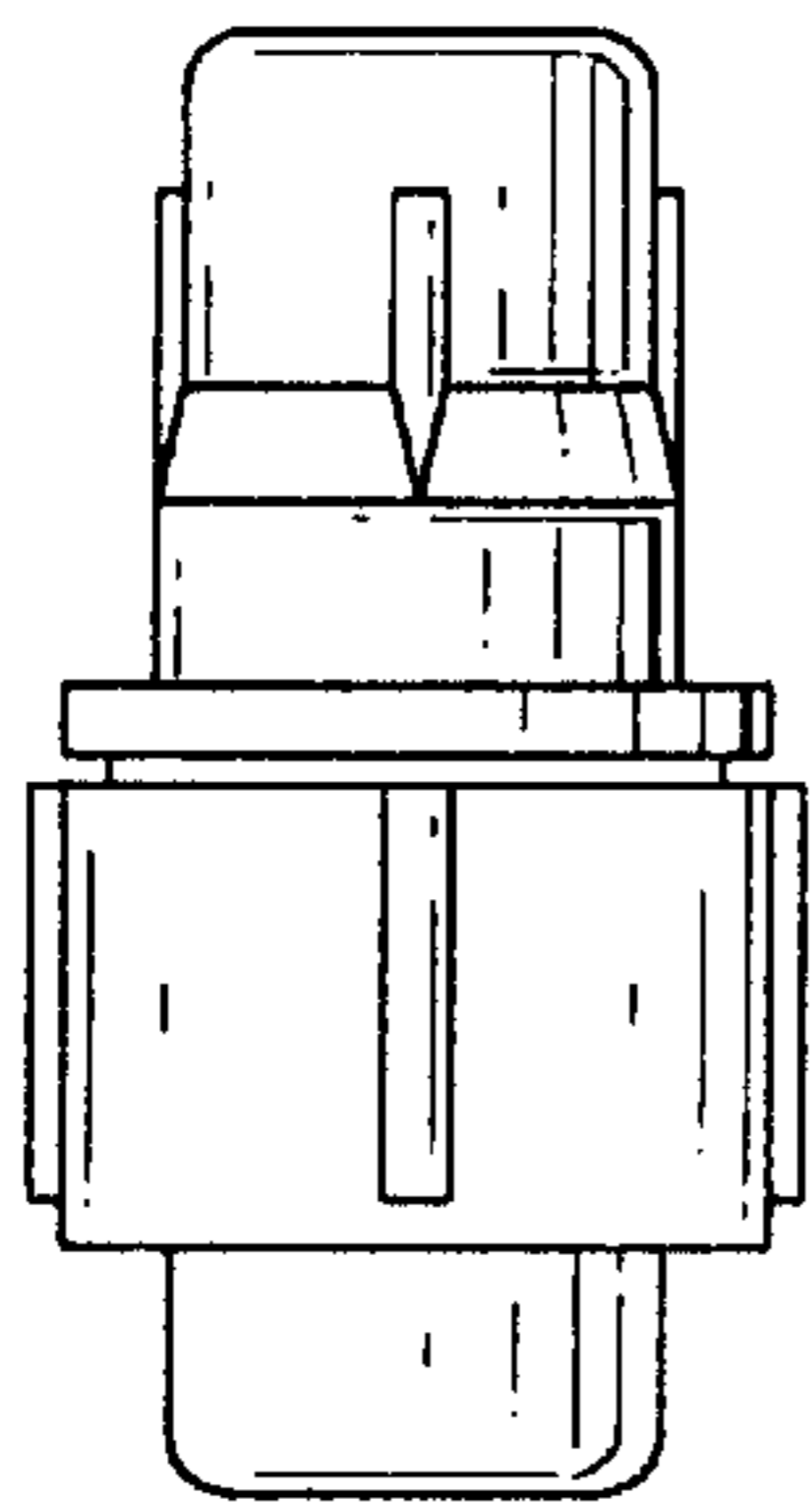


FIG. 2

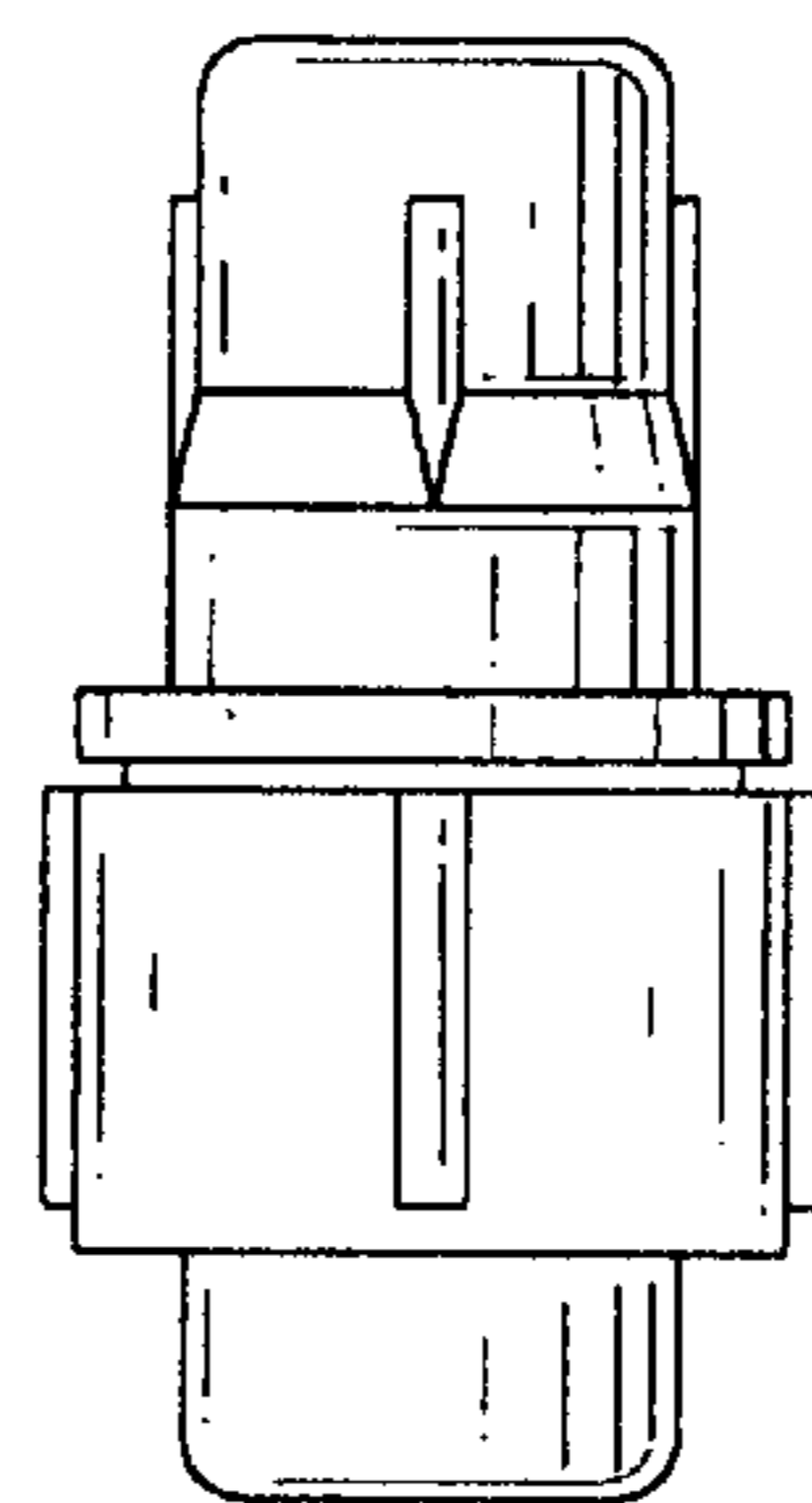


FIG. 3

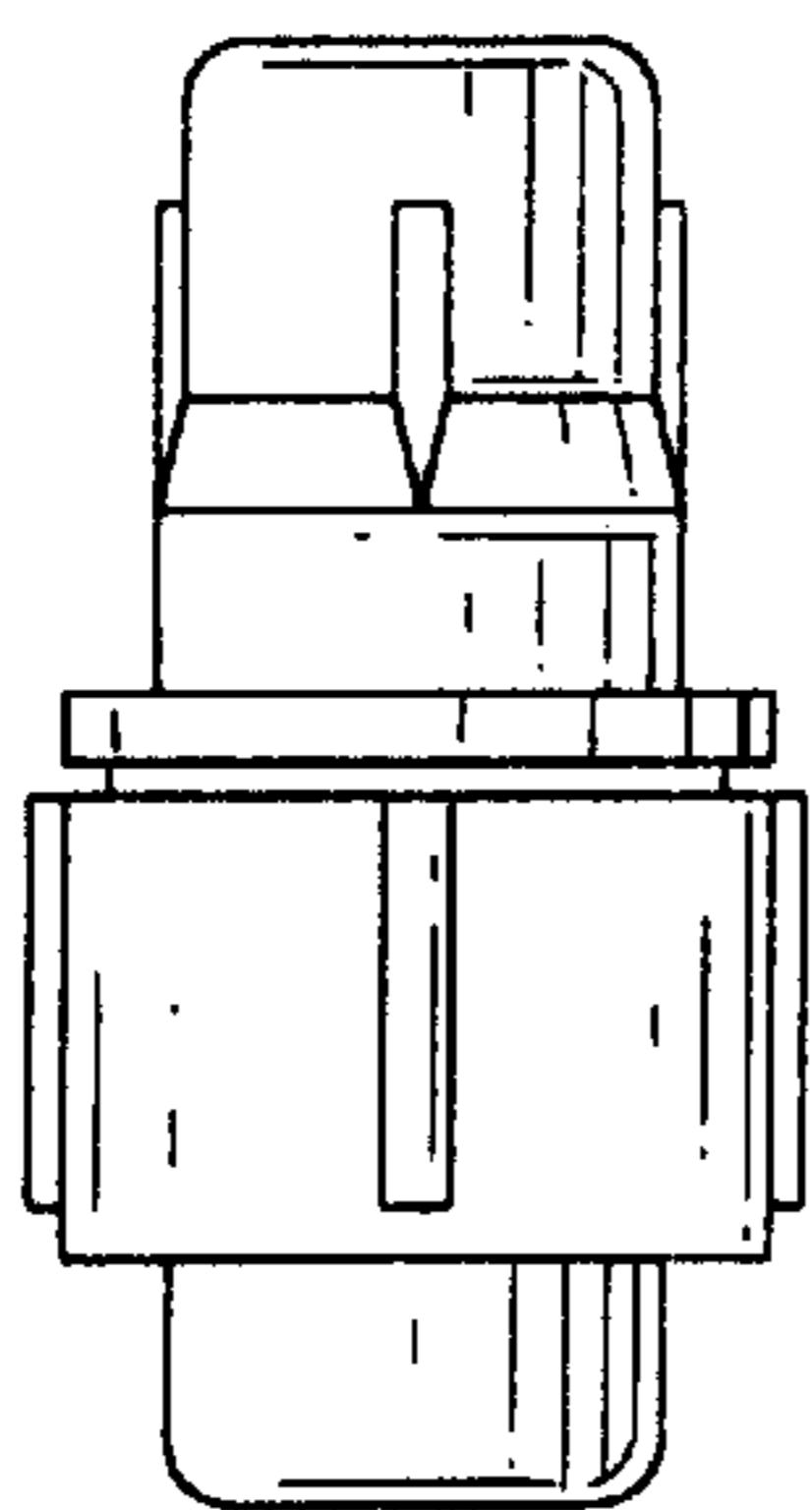


FIG. 4

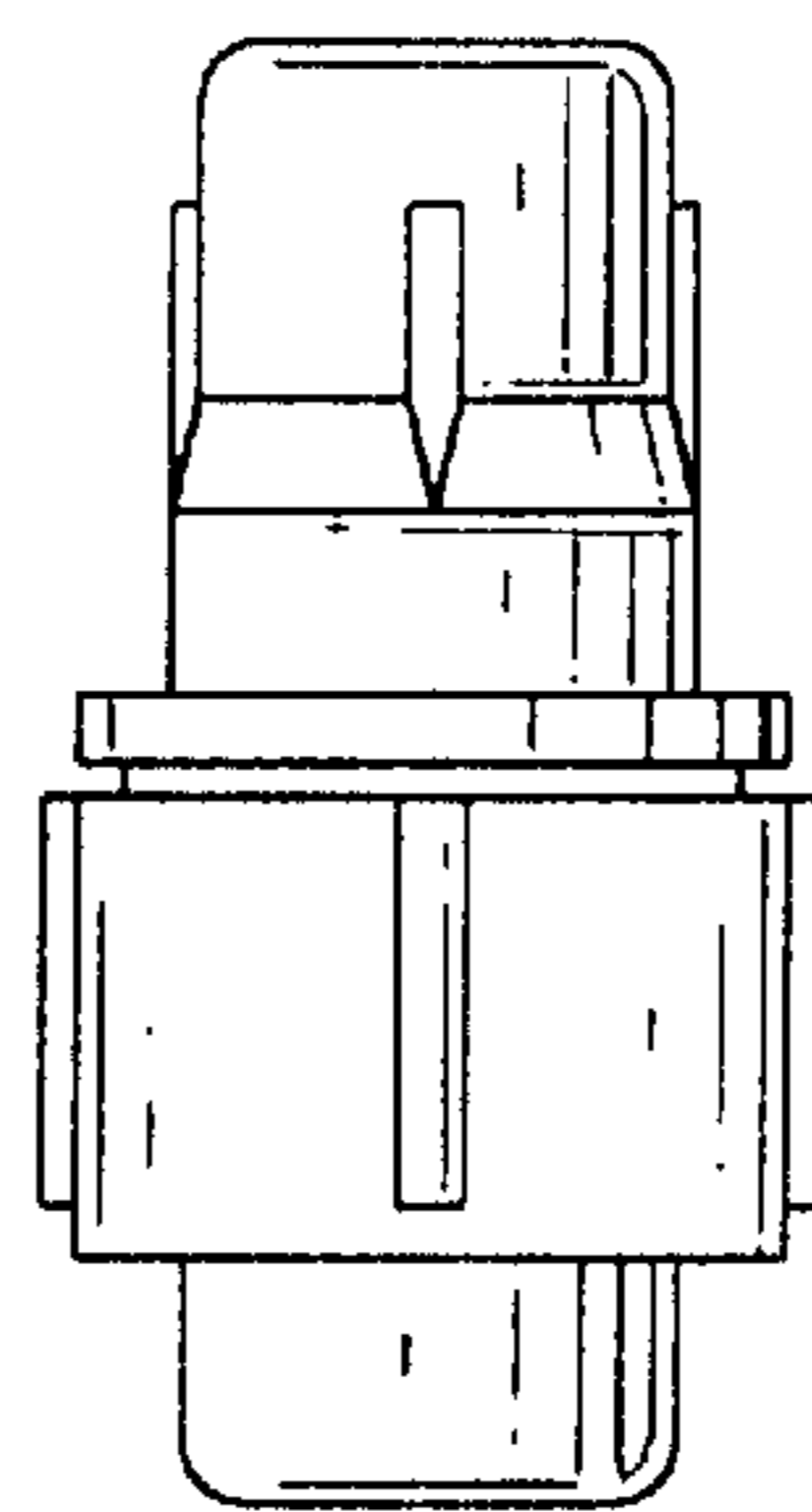


FIG. 5

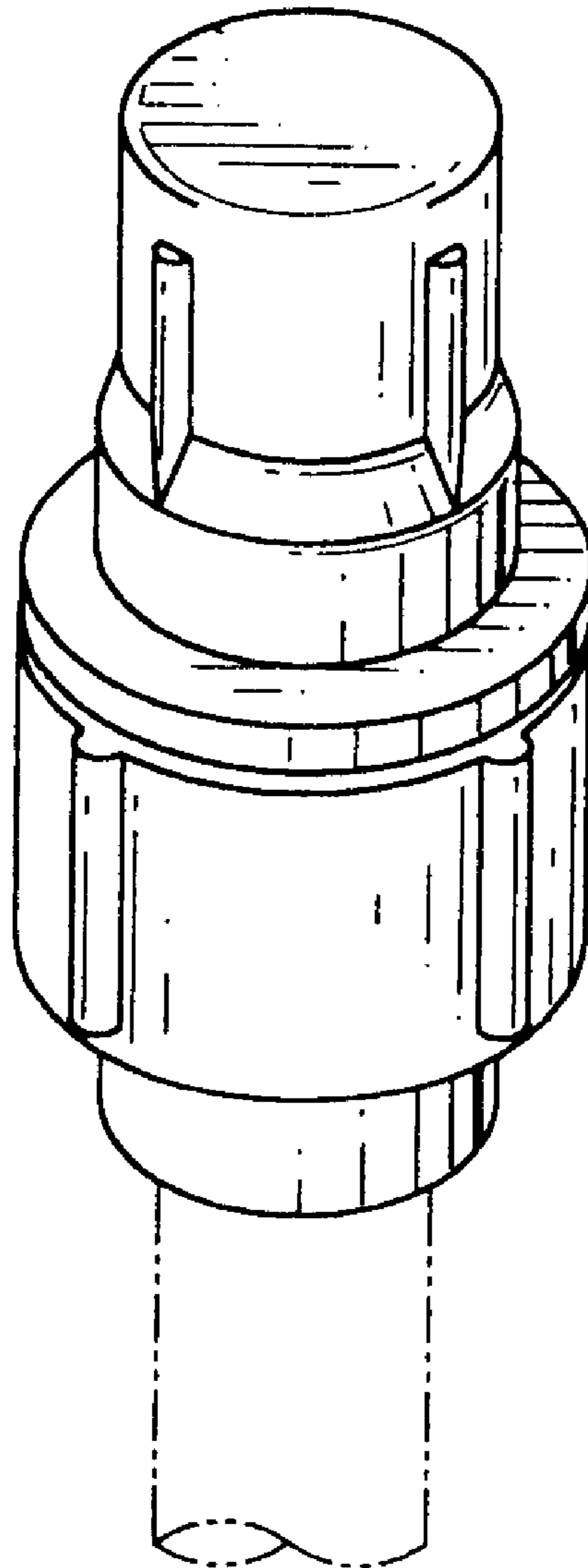


FIG.8