



US00D460039S

(12) **United States Design Patent**
Smith

(10) **Patent No.:** **US D460,039 S**

(45) **Date of Patent:** **** Jul. 9, 2002**

(54) **TAILGATE HOLD DOWNS**

(76) **Inventor:** **Jay F. Smith**, 10060 Diamond Dr., St. Louis, MO (US) 63137-3741

(**) **Term:** **14 Years**

(21) **Appl. No.:** **29/147,717**

(22) **Filed:** **Sep. 4, 2001**

(51) **LOC (7) Cl.** **12-16**

(52) **U.S. Cl.** **D12/414**

(58) **Field of Search** D12/406, 414,
D12/414.1, 93; 410/101, 104-106, 150,
103, 97, 108-110, 115; 242/395; D8/382,
384; 296/32, 36, 41-43, 39; 248/499, 503;
105/390

(56) **References Cited**

U.S. PATENT DOCUMENTS

2,688,504	A	*	9/1954	Parker	410/115
2,743,684	A	*	5/1956	Elsner	410/115
3,713,616	A	*	1/1973	Bowers	248/499
4,138,046	A		2/1979	De Freze		
4,396,324	A	*	8/1983	Ellis	410/101
D272,817	S	*	2/1984	Mareydt	D12/414
D299,017	S	*	12/1988	Renn	D12/414
4,850,769	A	*	7/1989	Matthews	410/105
4,969,784	A		11/1990	Yanke		
4,992,015	A	*	2/1991	Florence	410/104
D316,992	S	*	5/1991	Geeck, III	D12/414
5,302,064	A	*	4/1994	Davis	410/115

5,409,335	A		4/1995	Beck		
5,468,038	A		11/1995	Sauri		
5,533,771	A		7/1996	Taylor et al.		
5,533,848	A	*	7/1996	Davis	410/105
5,642,971	A	*	7/1997	Ragsdale	410/106
D382,533	S	*	8/1997	Okland	D12/414
5,674,033	A		10/1997	Ruegg		
5,967,719	A	*	10/1999	Davenport	410/106
6,176,658	B1	*	1/2001	Rowe	410/106
6,270,301	B1	*	8/2001	Dunlop	410/115
6,290,440	B1	*	9/2001	Diviccaro	410/103

* cited by examiner

Primary Examiner—Stacia Cadmus

(74) *Attorney, Agent, or Firm*—Donald R. Schoonover

(57) **CLAIM**

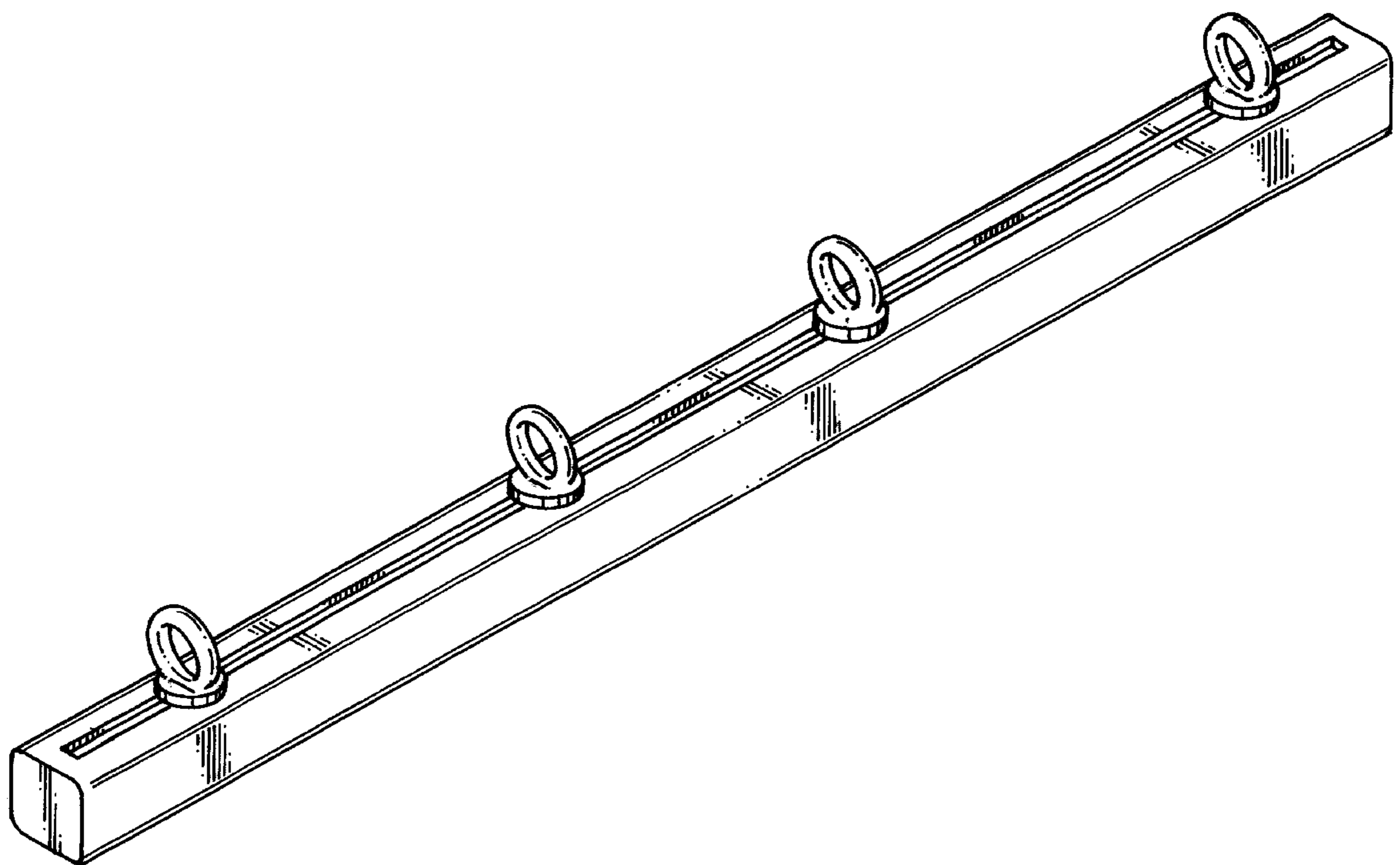
The ornamental design for tailgate hold downs, as shown and described.

DESCRIPTION

FIG. 1 is a perspective view of the tailgate hold downs embodying the design of the present invention; FIG. 2 is an end elevational view thereof; FIG. 3 is a side elevational view thereof; FIG. 4 is a top plan view thereof; FIG. 5 is a bottom plan view thereof; and, FIG. 6 is a reduced perspective view showing the tailgate hold downs in use.

The broken line showing of environment is for illustrative purposes only and forms no part of the claimed design.

1 Claim, 3 Drawing Sheets



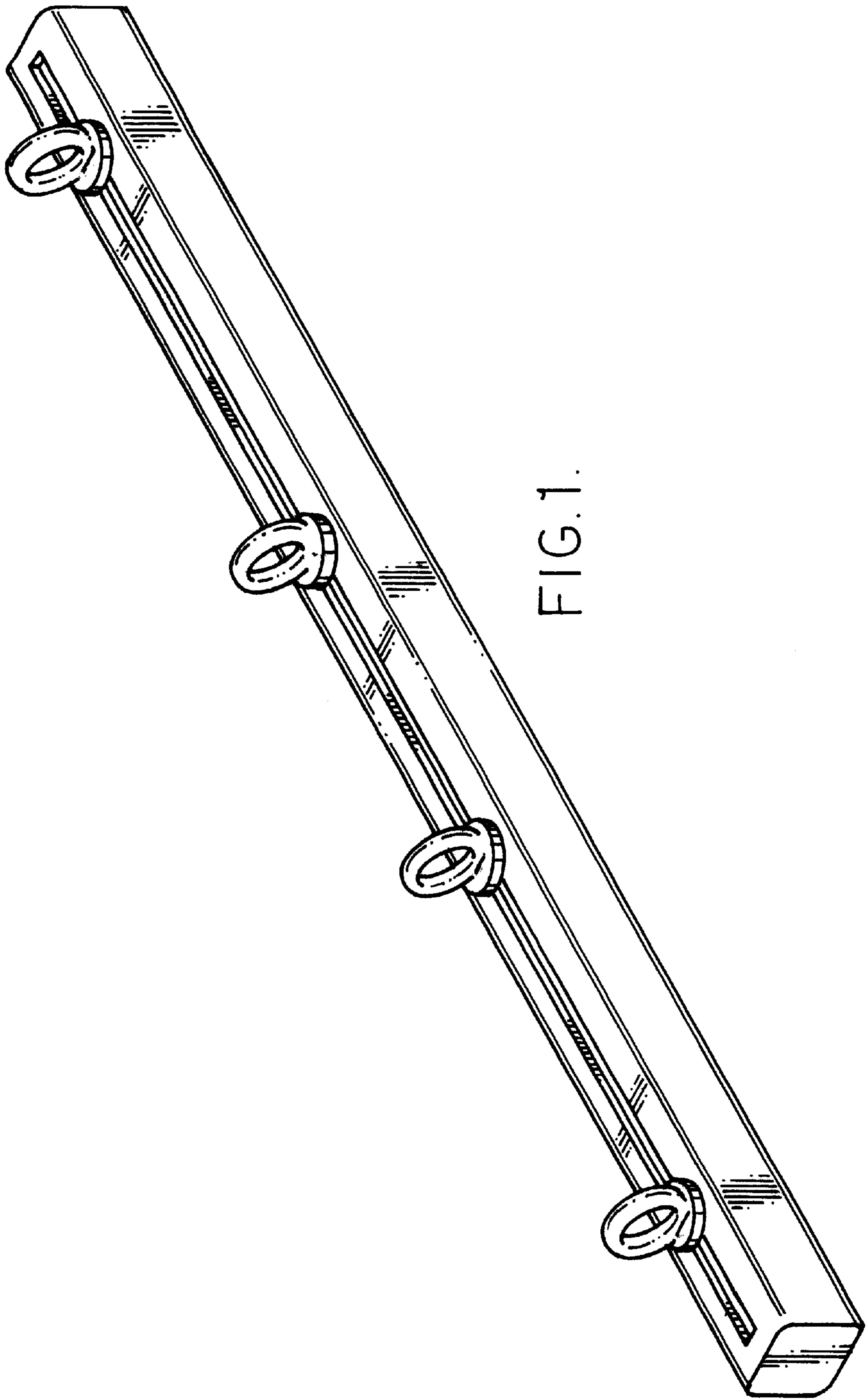


FIG. 1.

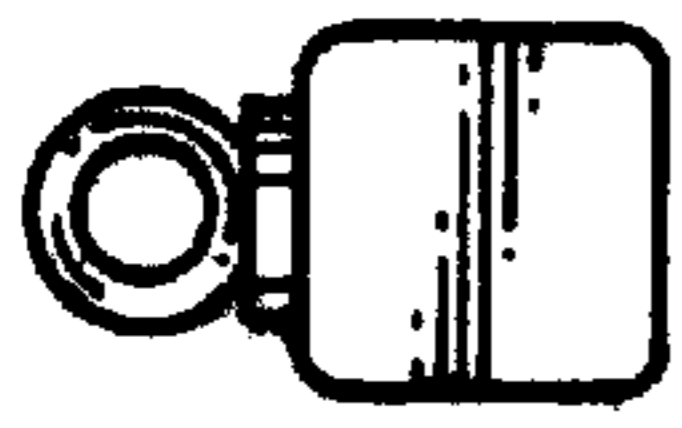


FIG. 2.

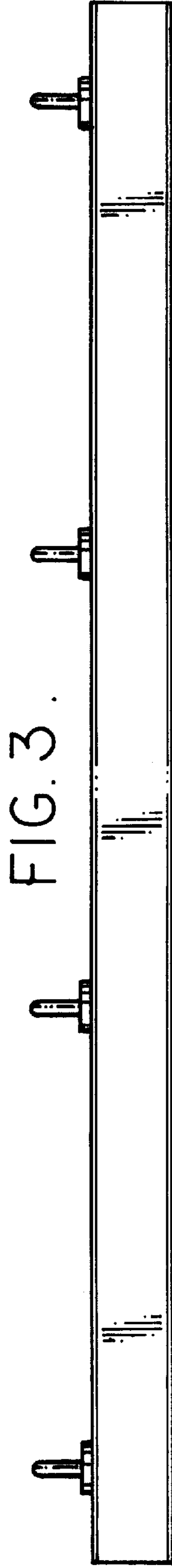
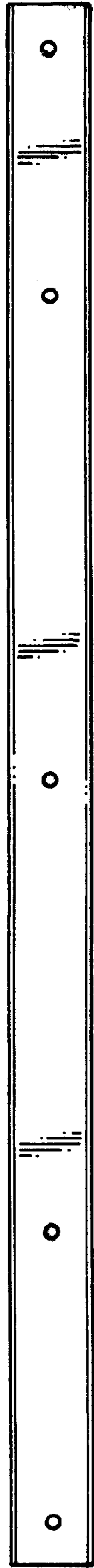


FIG. 3.

FIG. 4.



FIG. 5.



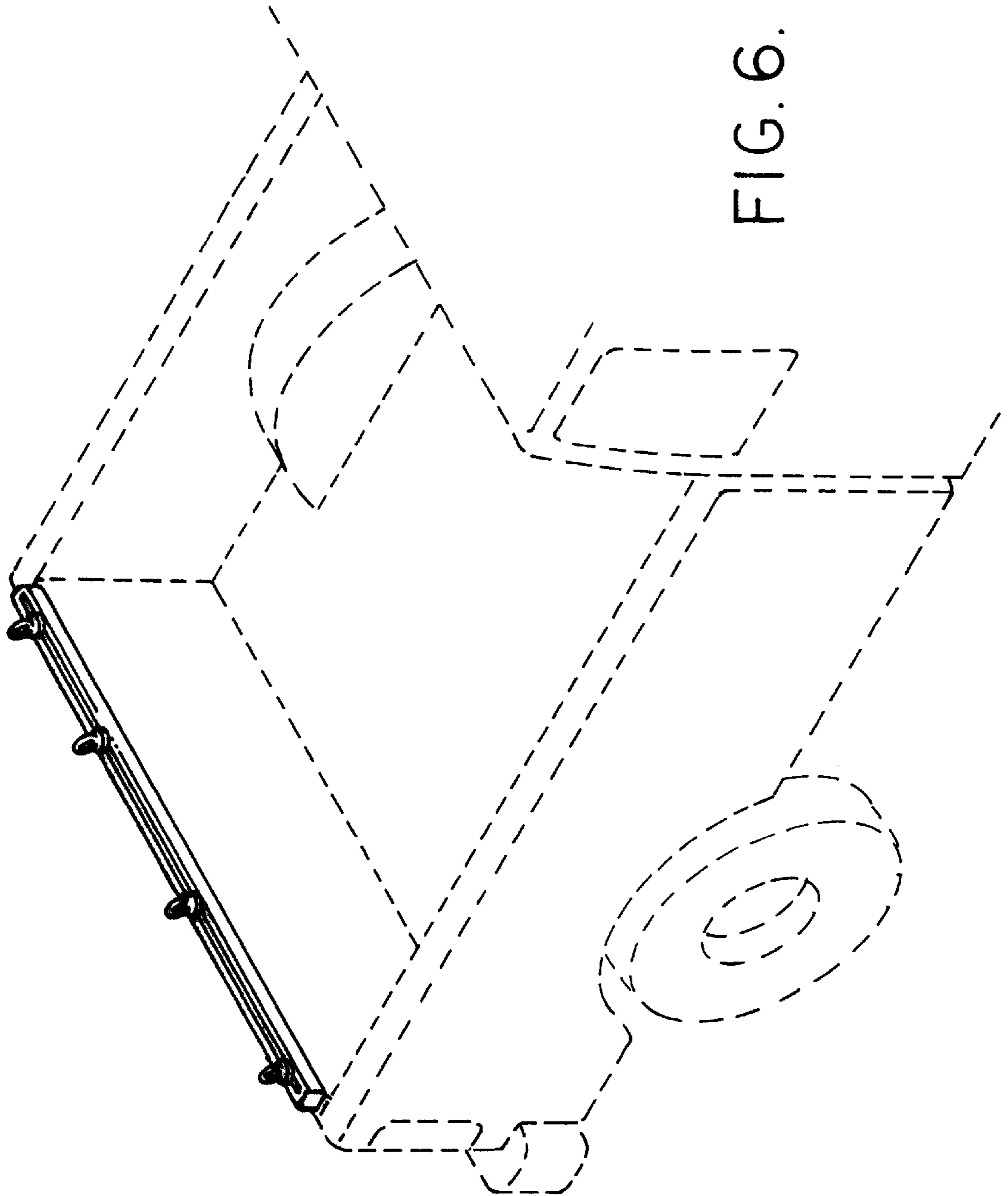


FIG. 6.