



US00D460038S

(12) **United States Design Patent**  
**Sosa**

(10) **Patent No.:** **US D460,038 S**

(45) **Date of Patent:** **\*\* Jul. 9, 2002**

- (54) **BOAT**
- (75) Inventor: **Anier Sosa**, West Palm Beach, FL (US)
- (73) Assignee: **South Florida Water Management District**, West Palm Beach, FL (US)
- (\*\*) Term: **14 Years**
- (21) Appl. No.: **29/149,905**
- (22) Filed: **Oct. 18, 2001**
- (51) **LOC (7) Cl.** ..... **12-06**
- (52) **U.S. Cl.** ..... **D12/300**
- (58) **Field of Search** ..... **D12/300-317;**  
114/283, 123

- 4,807,552 A 2/1989 Fowler
- 4,826,465 A 5/1989 Fleischmann
- 4,919,637 A 4/1990 Fleischmann
- 4,955,843 A 9/1990 Bolanos
- 5,154,016 A 10/1992 Fedora
- 5,165,193 A 11/1992 Dankwardt
- 5,203,732 A 4/1993 Cusson
- 5,254,266 A \* 10/1993 Barnes et al. .... 114/283
- 5,282,763 A 2/1994 Dixon
- 5,309,664 A 5/1994 Wright
- 5,361,530 A 11/1994 Kashani
- 5,363,587 A 11/1994 Nordling
- 5,806,232 A 9/1998 James
- 5,947,788 A 9/1999 Derrah
- 6,041,537 A 3/2000 Sullivan

\* cited by examiner

*Primary Examiner*—Lisa Lichtenstein  
(74) *Attorney, Agent, or Firm*—Olga Gonzalez, P.A.

(56) **References Cited**

**U.S. PATENT DOCUMENTS**

- D168,807 S \* 2/1953 Reuther ..... 114/283
- 2,726,471 A 12/1955 Uus
- 3,078,617 A 2/1963 Dempsey
- 3,246,419 A 4/1966 Pawelka
- 3,342,032 A 9/1967 Cox
- 3,555,721 A 1/1971 Furuoka
- 3,793,761 A 2/1974 Bonham
- 3,933,113 A 1/1976 Dornak
- 4,002,132 A \* 1/1977 Nitzki ..... 114/123
- 4,045,907 A 9/1977 Mumford
- 4,214,544 A 7/1980 Dashew
- 4,292,758 A 10/1981 Kuna
- 4,349,985 A 9/1982 Kodaka
- 4,455,960 A 6/1984 Aker

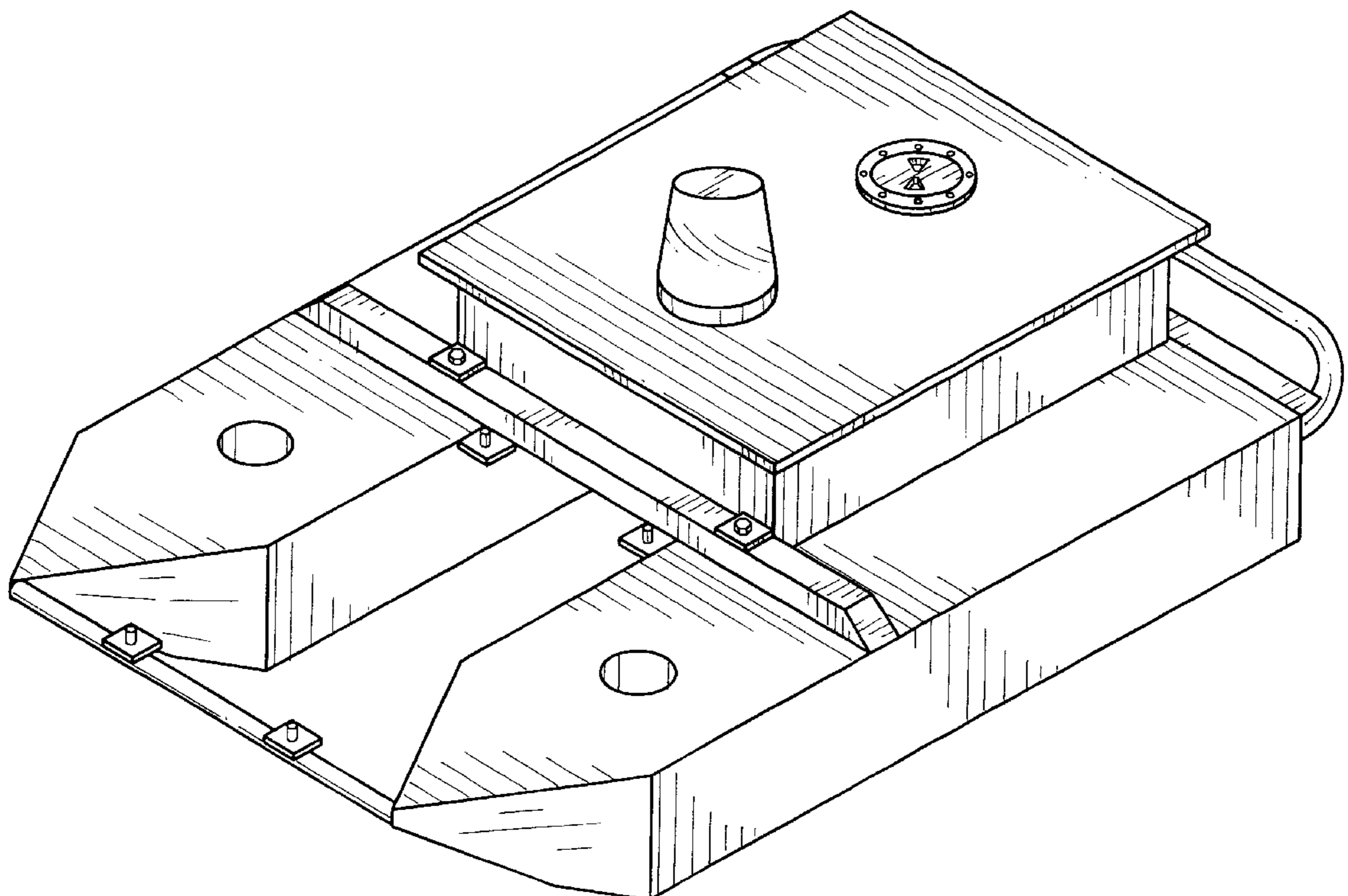
(57) **CLAIM**

The ornamental design for a boat, substantially as shown and described.

**DESCRIPTION**

FIG. 1 is a front perspective view of the boat;  
FIG. 2 is a right side perspective view thereof;  
FIG. 3 is a back elevational view thereof;  
FIG. 4 is a front elevational view thereof;  
FIG. 5 is a top plan view thereof;  
FIG. 6 is a bottom plan view thereof; and,  
FIG. 7 is a back perspective view.

**1 Claim, 4 Drawing Sheets**



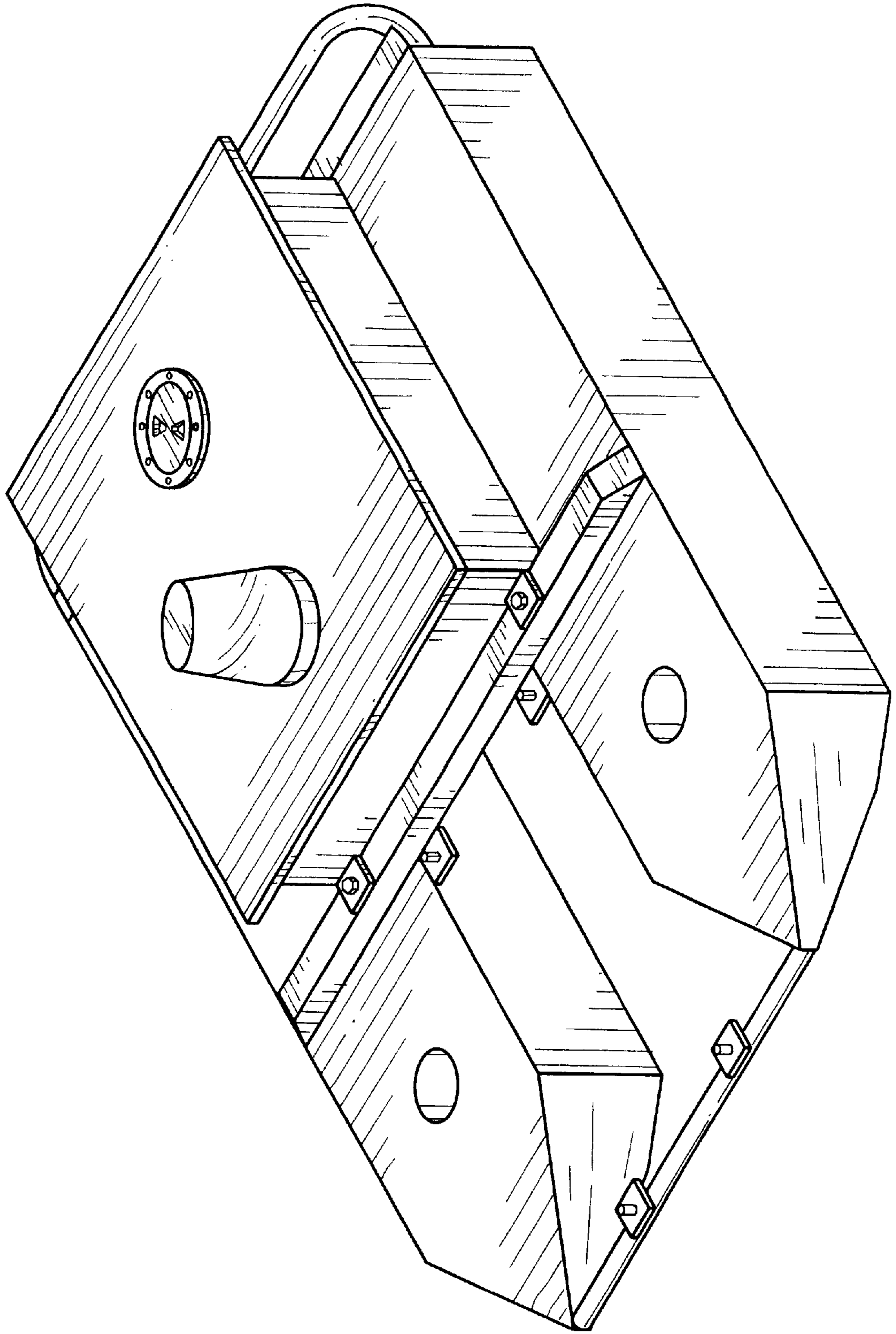


FIG. 1

FIG. 2

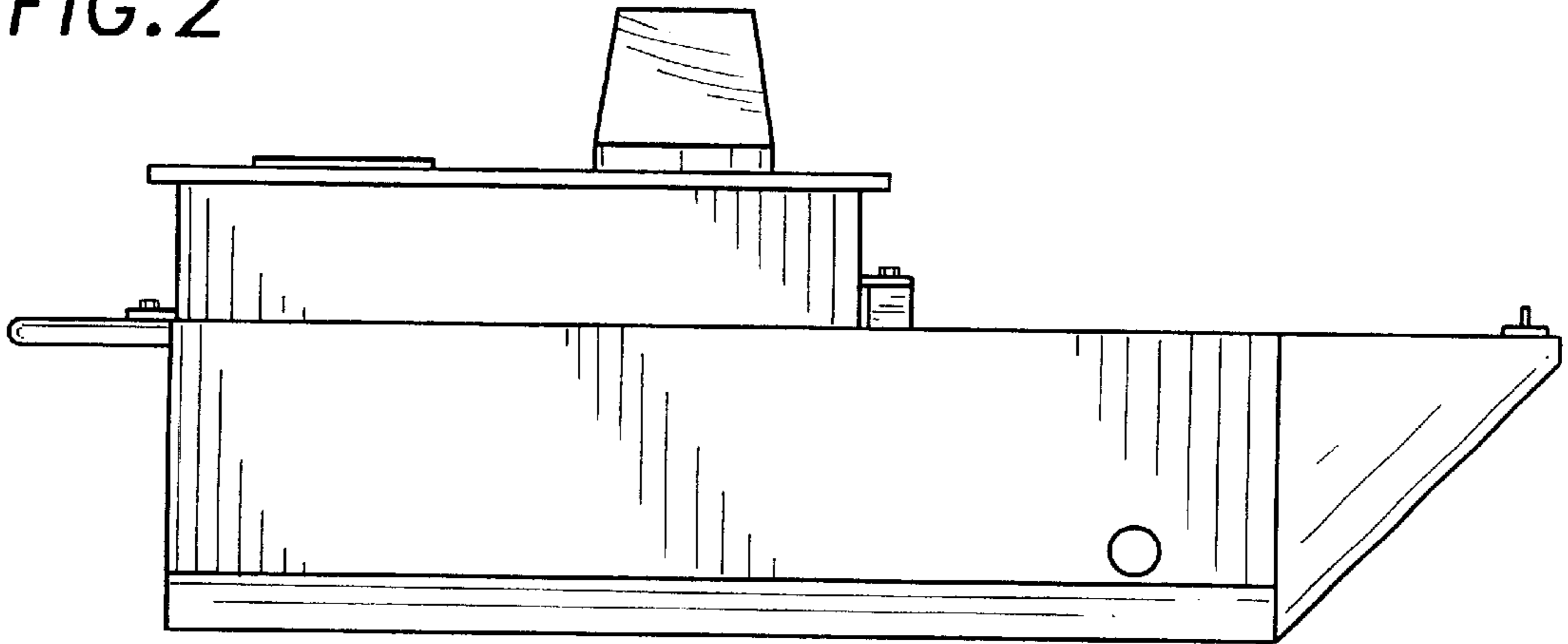


FIG. 3

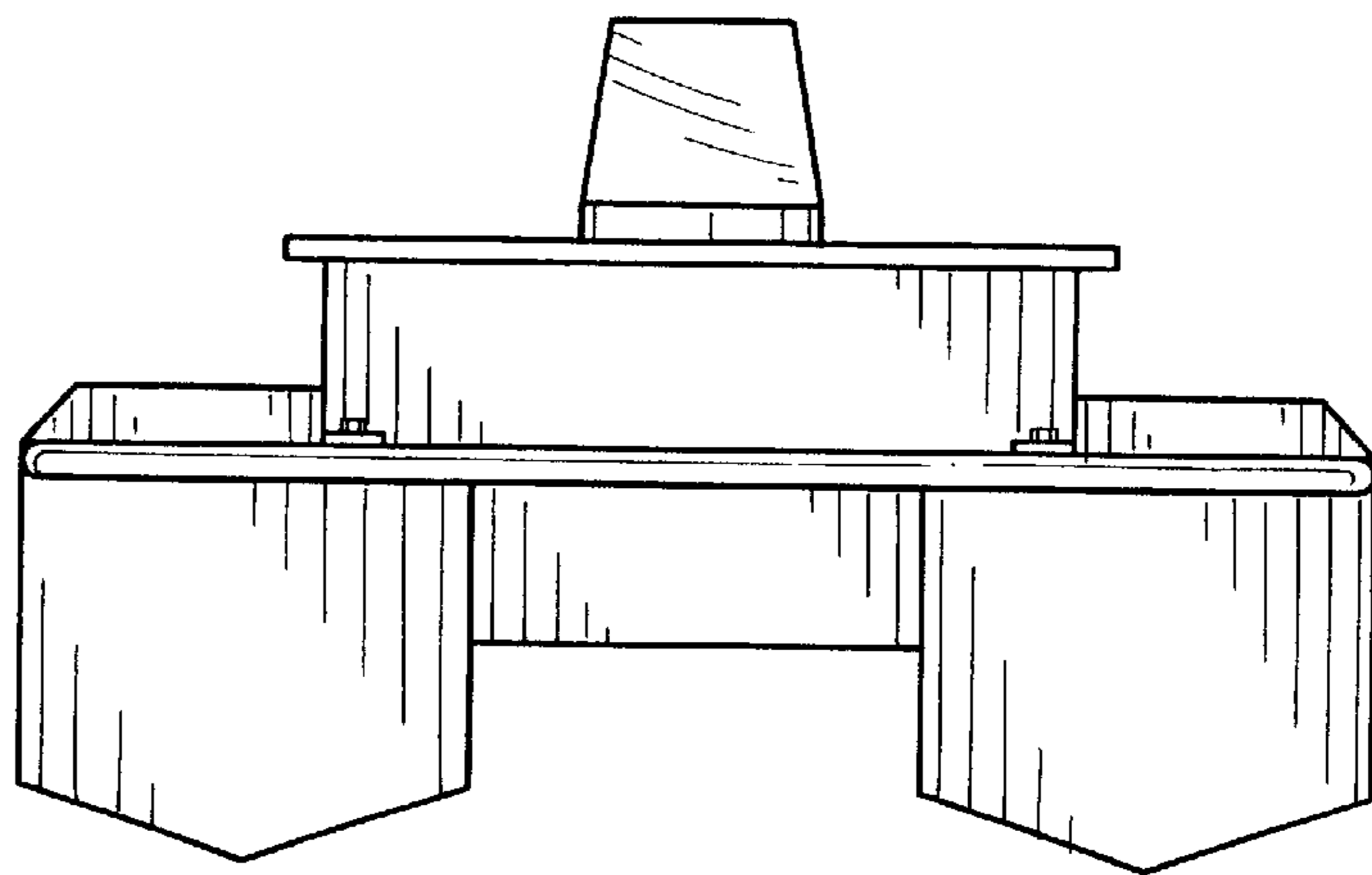


FIG. 4

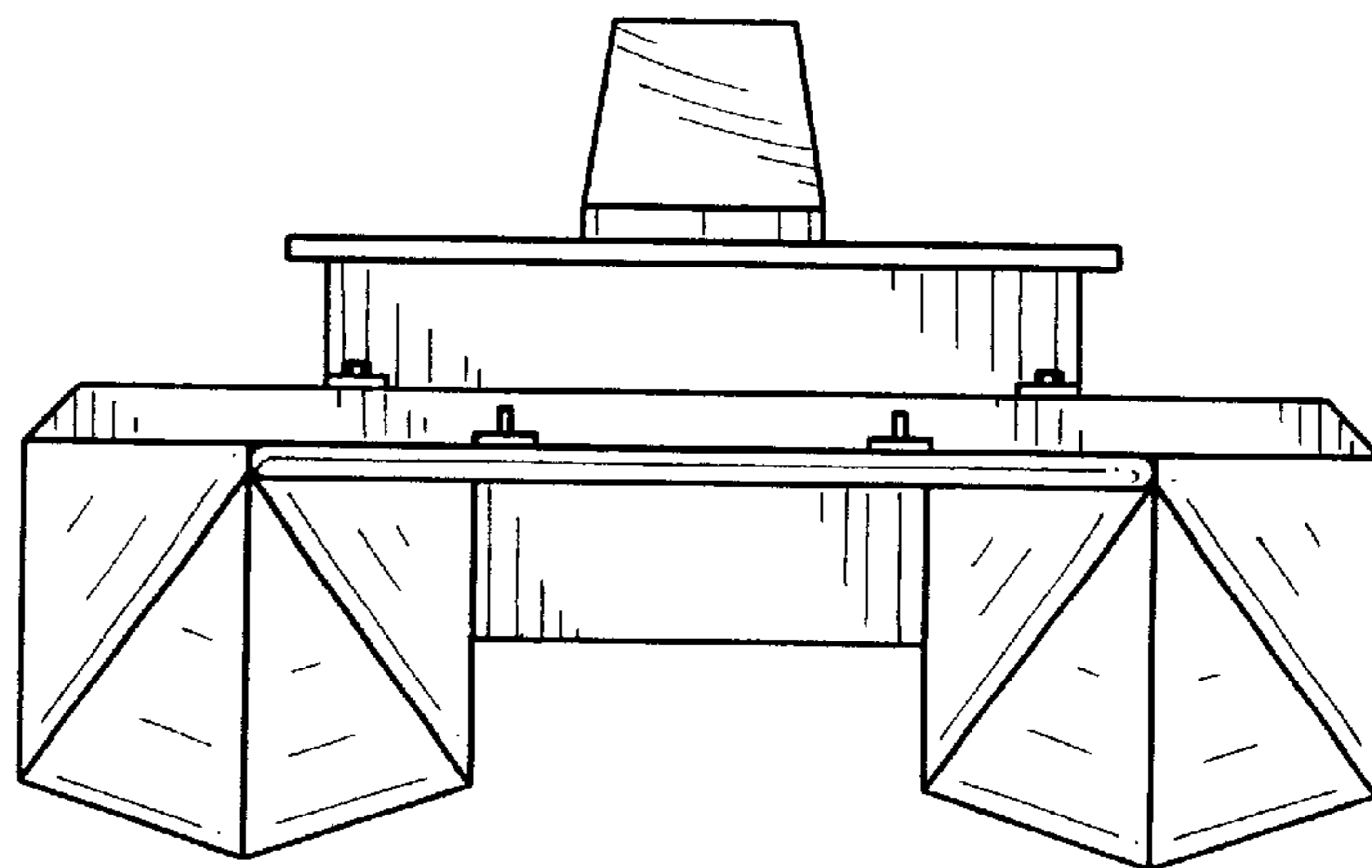


FIG. 5

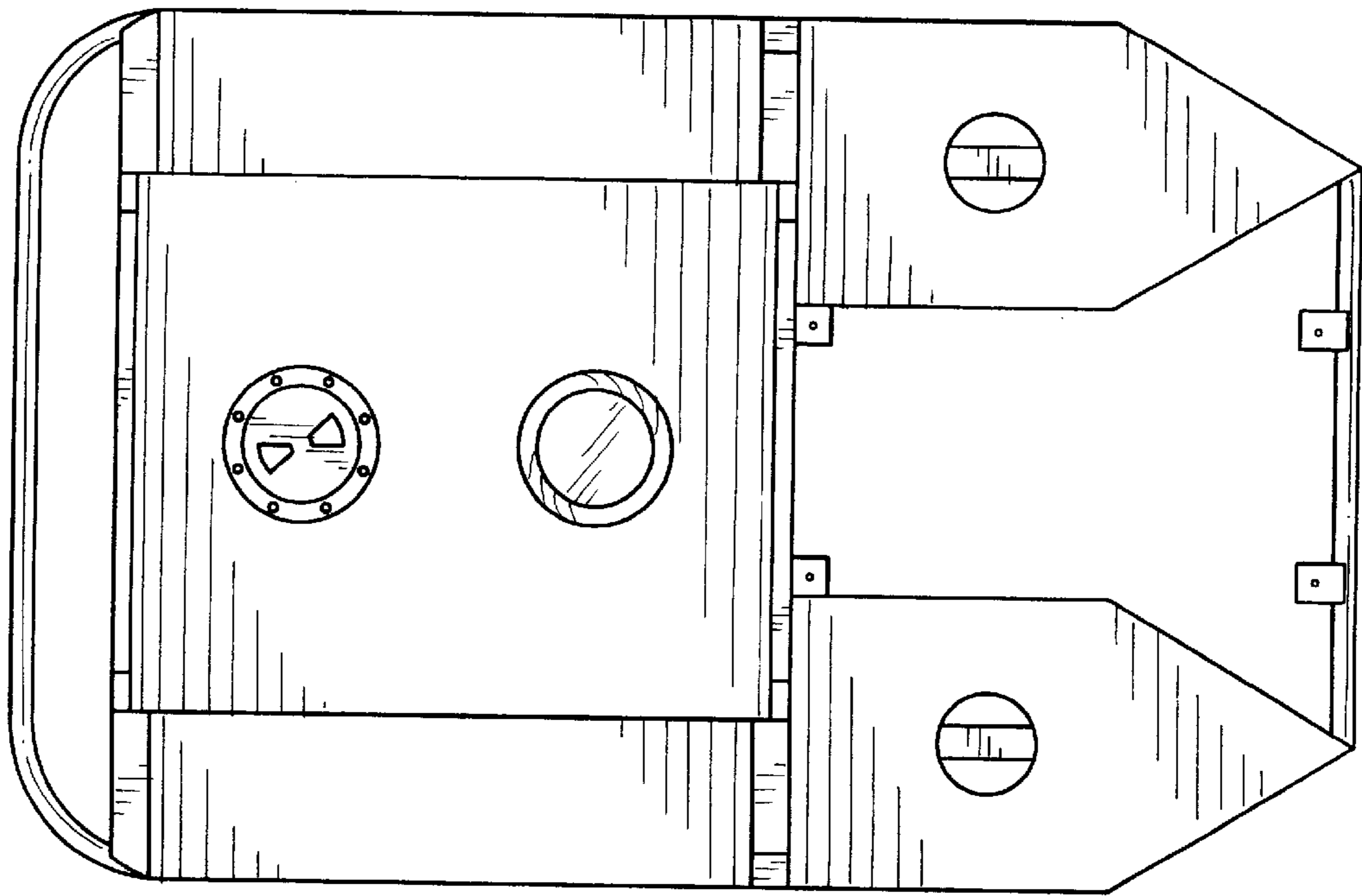
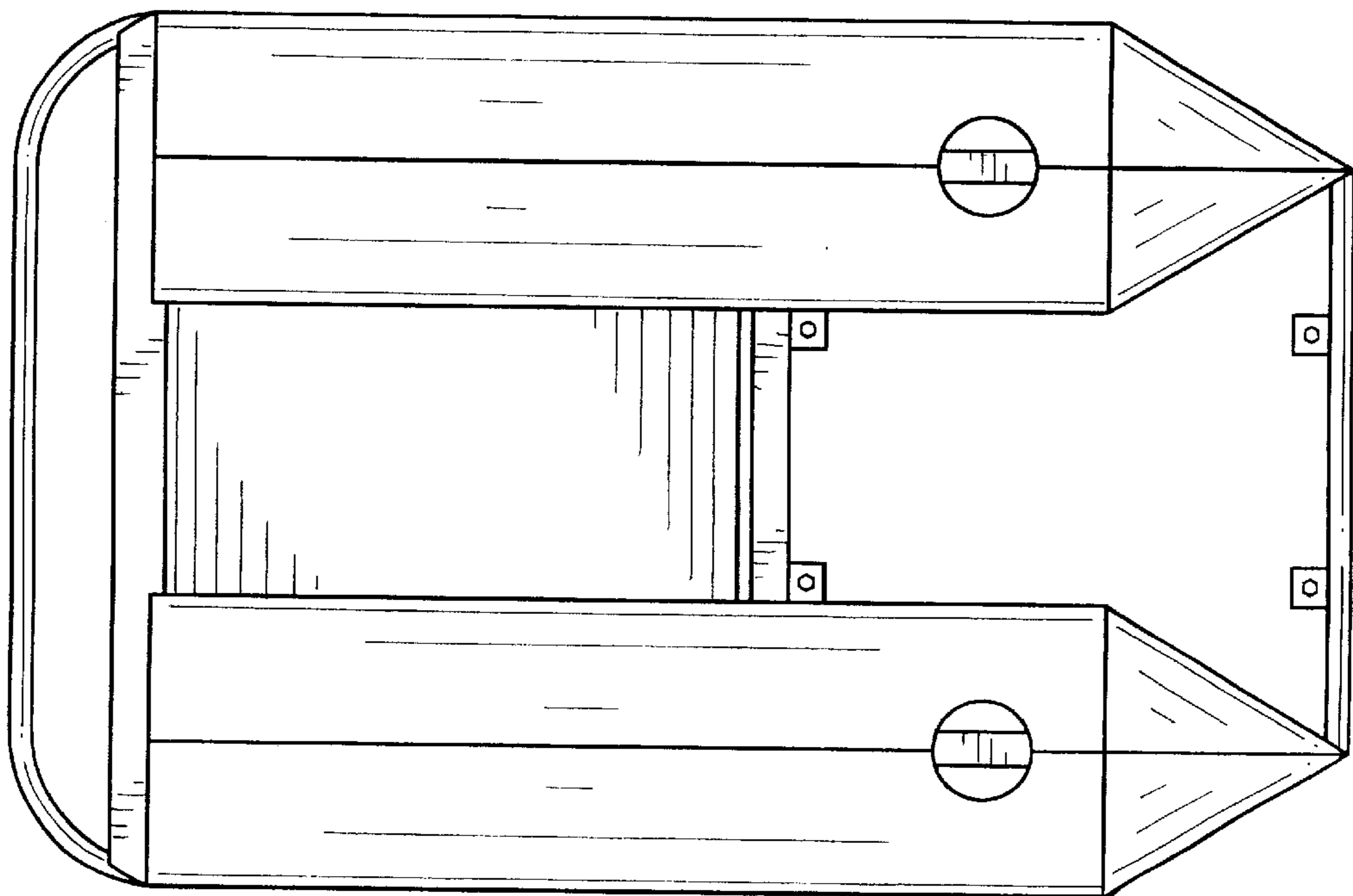


FIG. 6



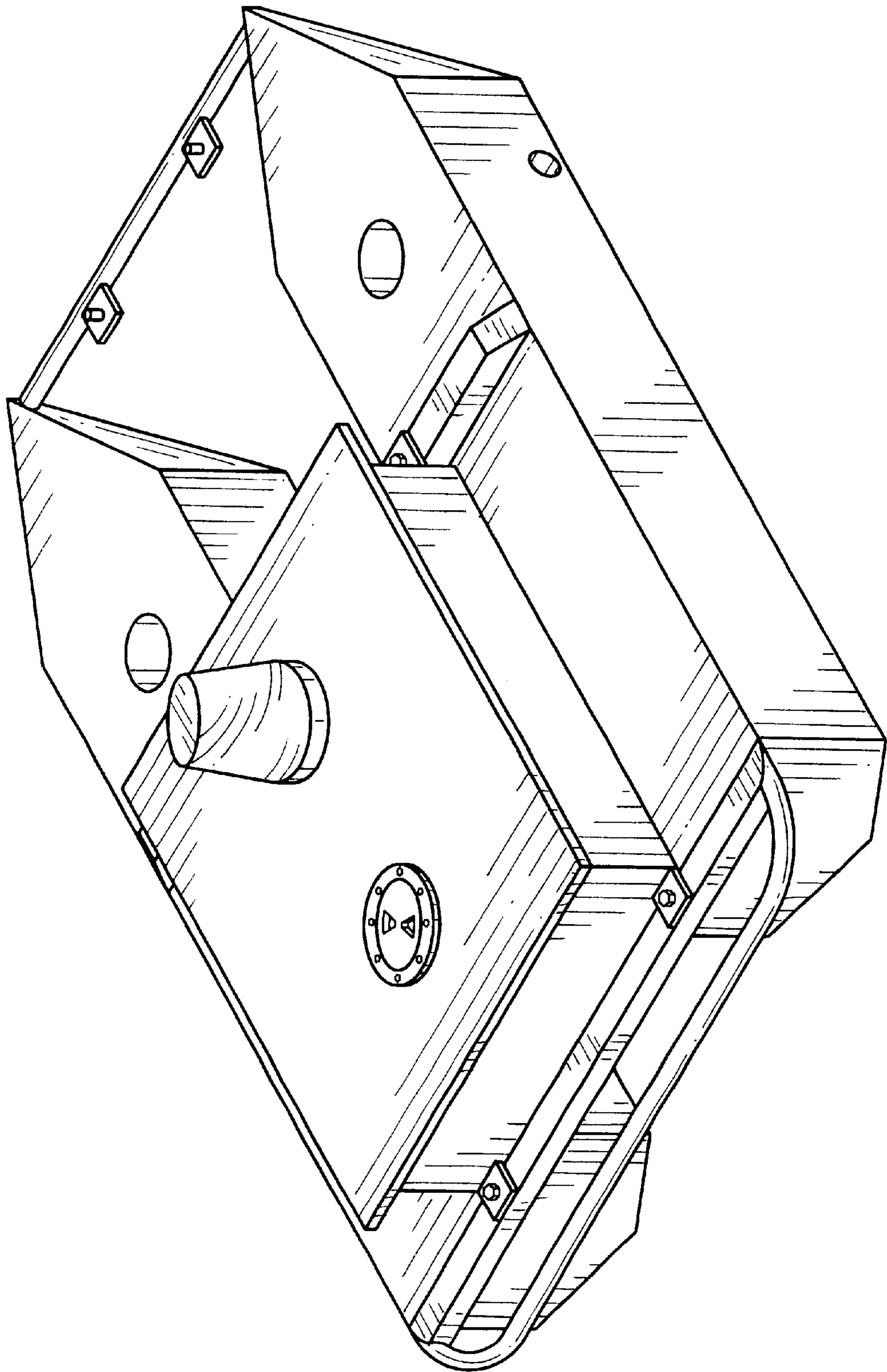


FIG. 7