



US00D460036S

(12) **United States Design Patent**
Yajima

(10) **Patent No.:** **US D460,036 S**

(45) **Date of Patent:** **** Jul. 9, 2002**

- (54) **WHEEL FOR MOTOR VEHICLE**
- (75) Inventor: **Kouji Yajima**, Aki-gun (JP)
- (73) Assignee: **Mazda Motor Corporation**,
Hiroshima-ken (JP)
- (**) Term: **14 Years**
- (21) Appl. No.: **29/125,695**
- (22) Filed: **Jun. 29, 2000**
- (30) **Foreign Application Priority Data**
Mar. 10, 2000 (JP) 2000-005325
- (51) **LOC (7) Cl.** **12-16**
- (52) **U.S. Cl.** **D12/211**
- (58) **Field of Search** D12/204-211;
301/37.1, 64.1, 65

- D444,118 S * 6/2001 Chung D12/211
- D448,714 S * 10/2001 Pusdesris et al. D12/211
- D451,458 S * 12/2001 Sacco et al. D12/209
- D451,466 S * 12/2001 Fujii D12/211

FOREIGN PATENT DOCUMENTS

JP 981071 5/1997

OTHER PUBLICATIONS

1994 D & W Bestell Katalog, p. 204, see 8/Seite 243.*

* cited by examiner

Primary Examiner—Stacia Cadmus

(74) *Attorney, Agent, or Firm*—Nixon Peabody LLP;
Donald R. Studebaker

(57) **CLAIM**

The ornamental design for a wheel for motor vehicle, as shown and described.

DESCRIPTION

FIG. 1 is a front perspective view of a wheel for motor vehicle;

FIG. 2 is a rear perspective view thereof;

FIG. 3 is a front view thereof;

FIG. 4 is a rear view thereof;

FIG. 5 is a top view thereof;

FIG. 6 is a bottom view thereof;

FIG. 7 is a left side view thereof; and,

FIG. 8 is a right side view thereof.

1 Claim, 3 Drawing Sheets

(56) **References Cited**

U.S. PATENT DOCUMENTS

- D204,256 S * 4/1966 Rader D12/211
- D302,264 S * 7/1989 Soederberg D12/209
- D336,886 S * 6/1993 Mikawa D12/211
- D361,976 S * 9/1995 Echazabal et al. D12/211
- D375,073 S * 10/1996 Theiss D12/209
- D412,149 S * 7/1999 Corioni D12/211
- D412,479 S * 8/1999 Sacco et al. D12/209
- D428,845 S * 8/2000 Yoshida et al. D12/211
- D430,523 S * 9/2000 Pfeiffer D12/209
- D439,212 S * 3/2001 Neeper D12/211

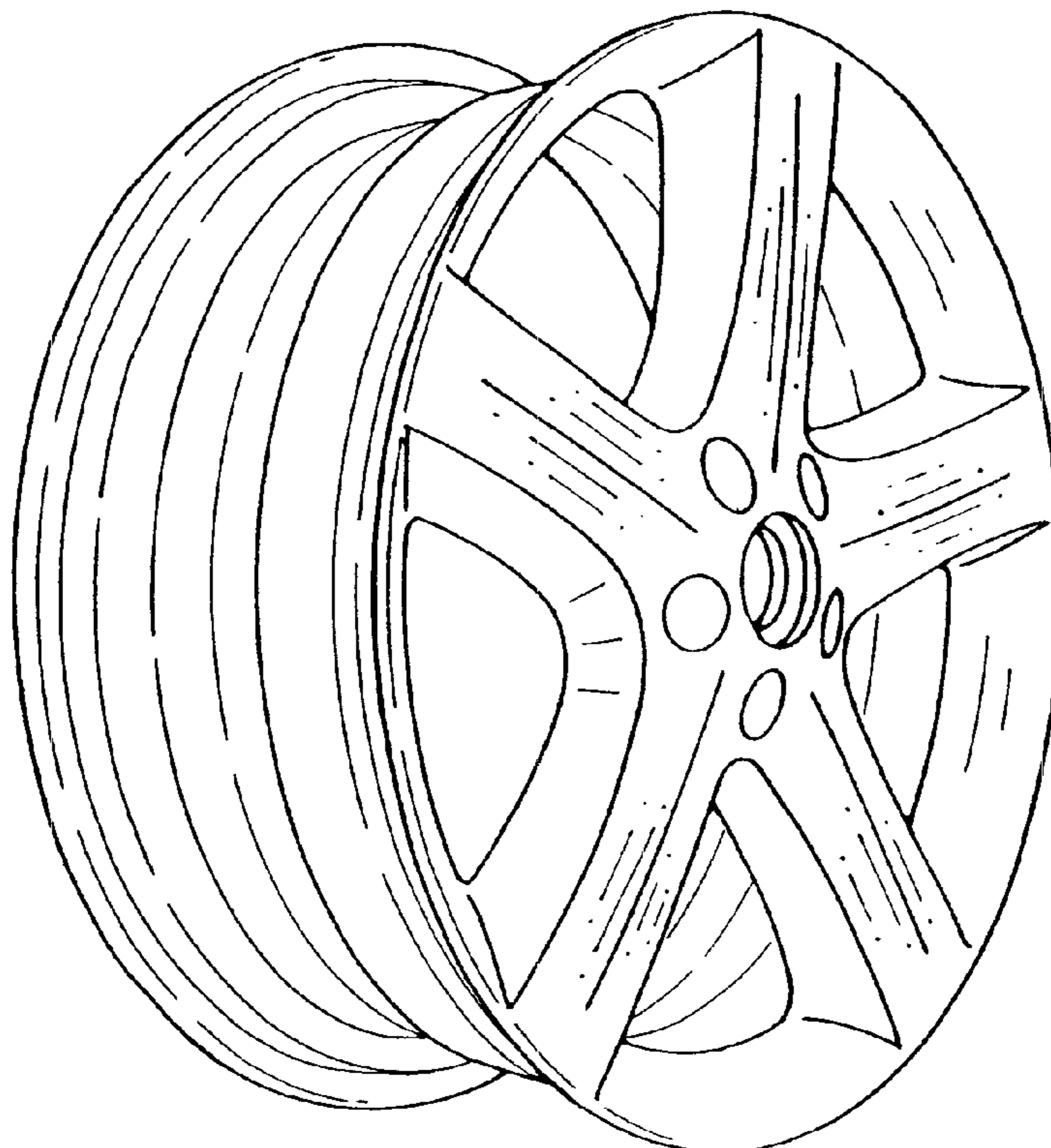


FIG. 1

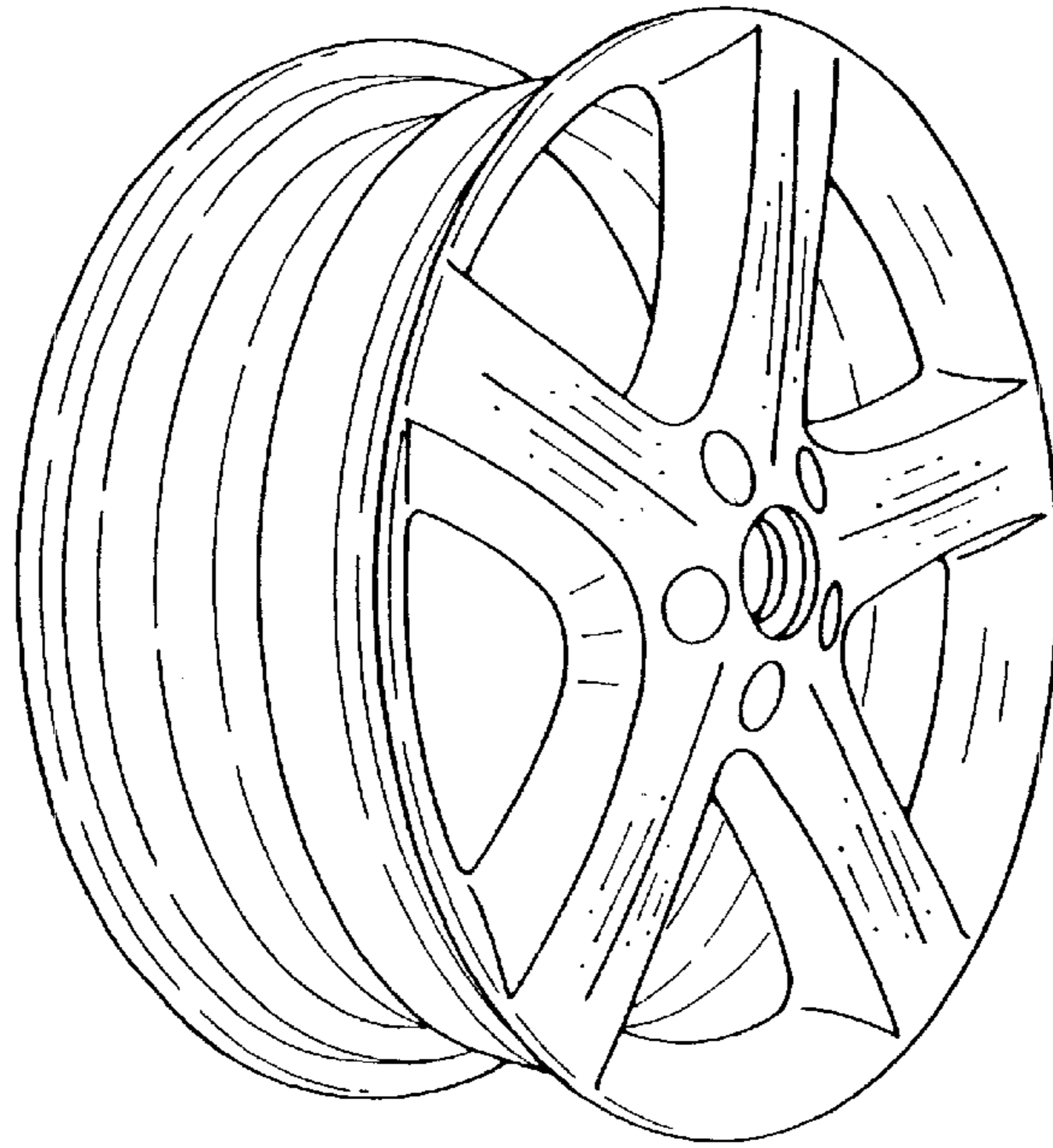


FIG. 2

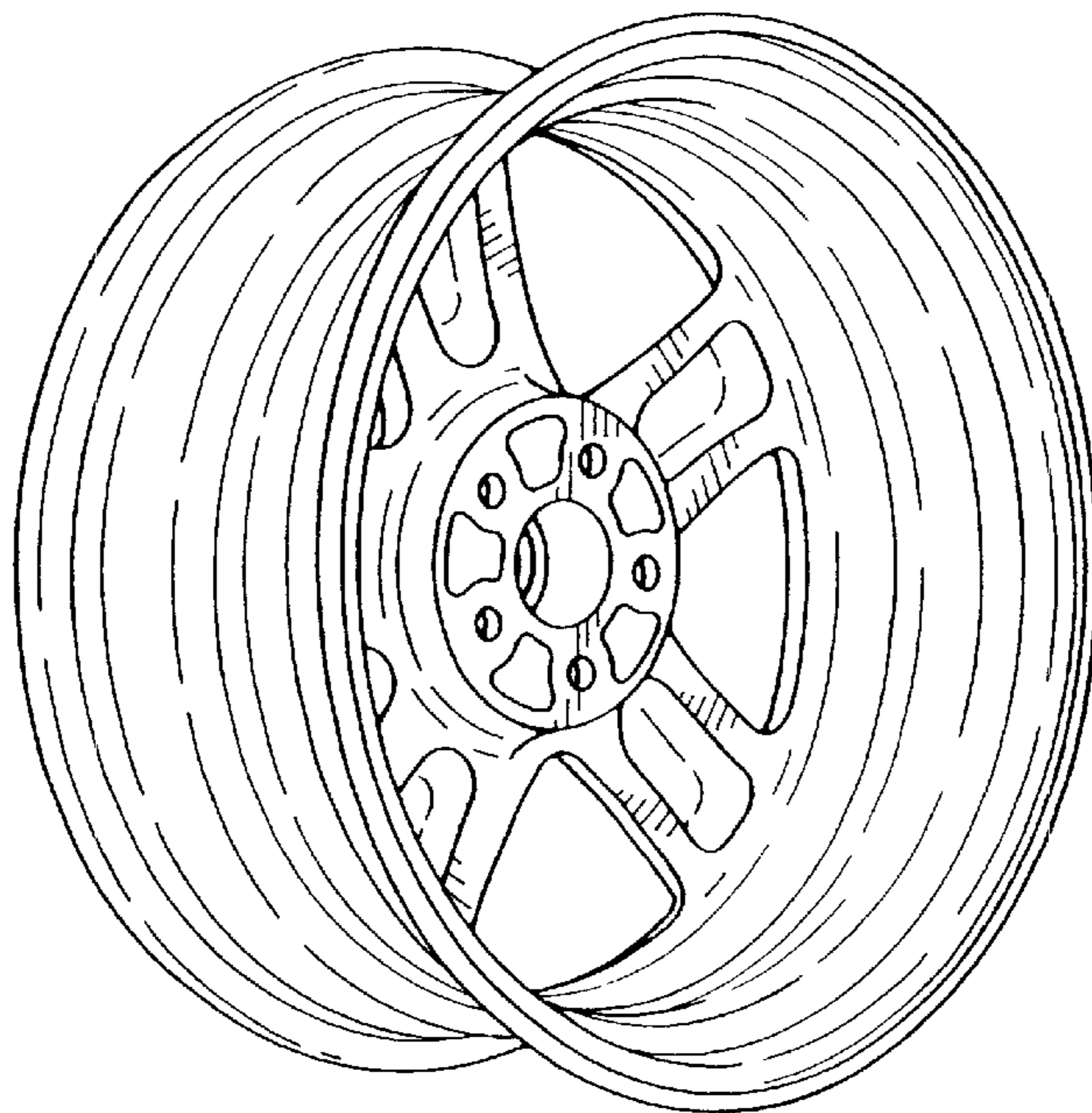


FIG. 3

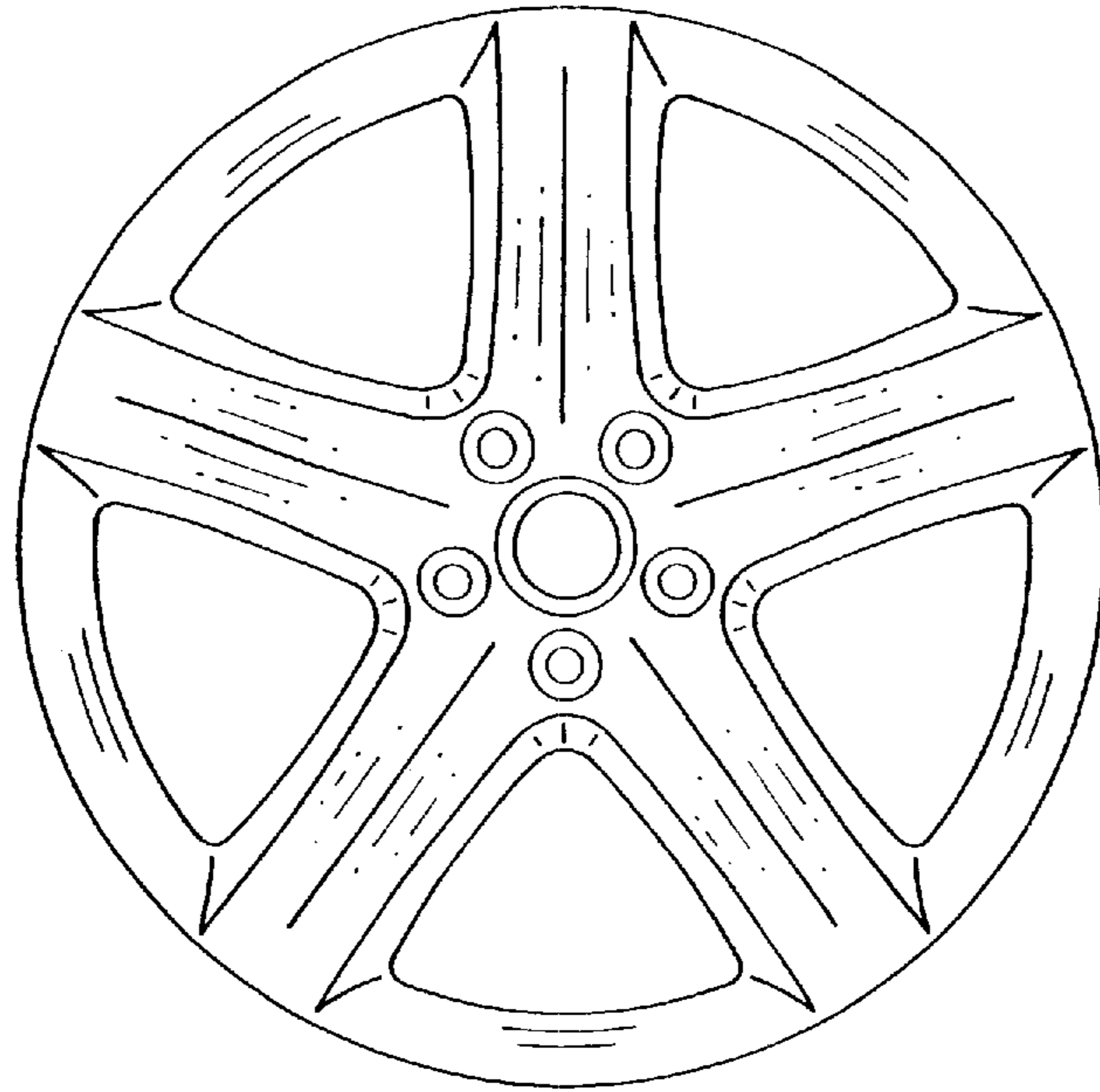


FIG. 4

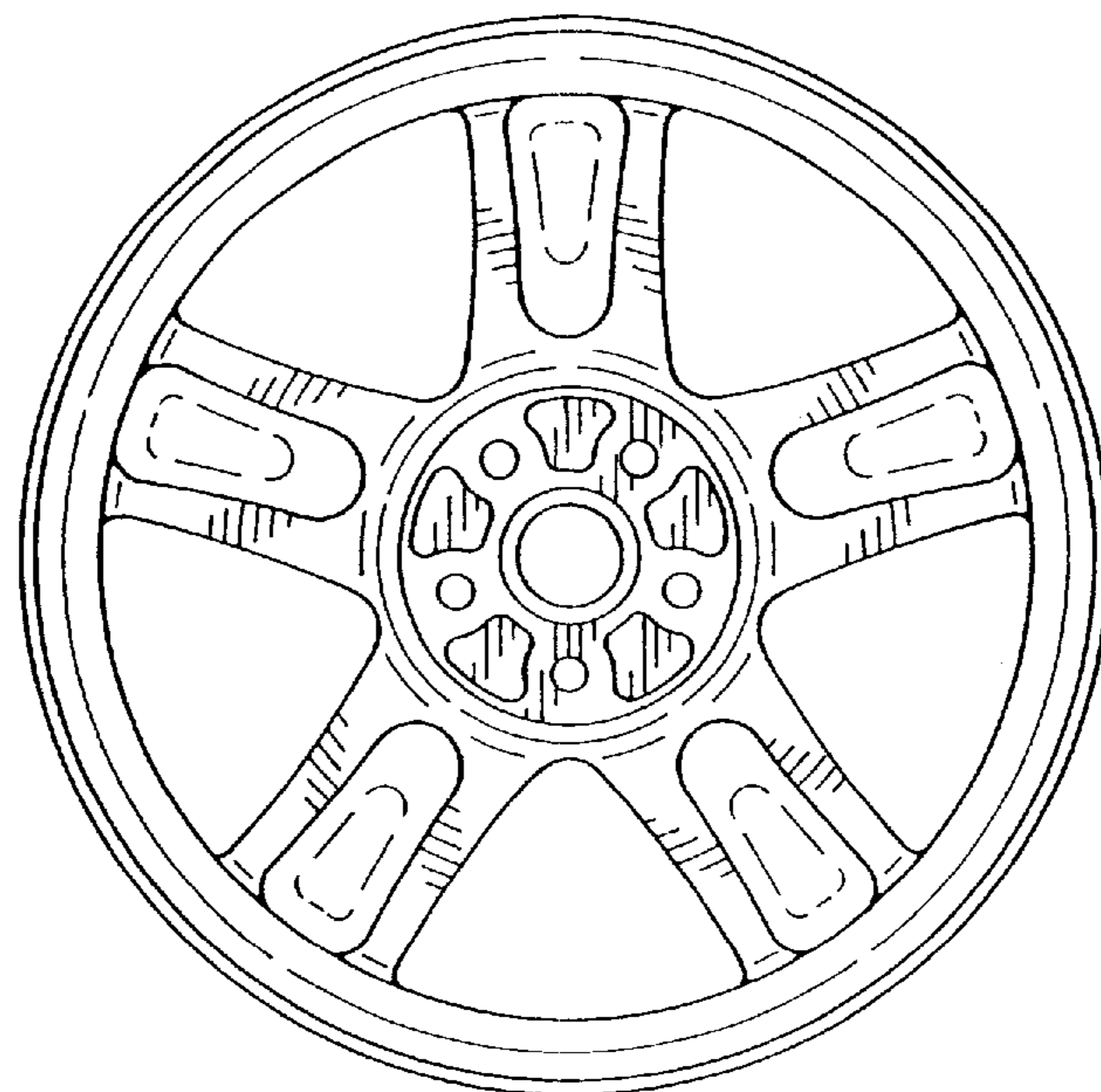


FIG. 5

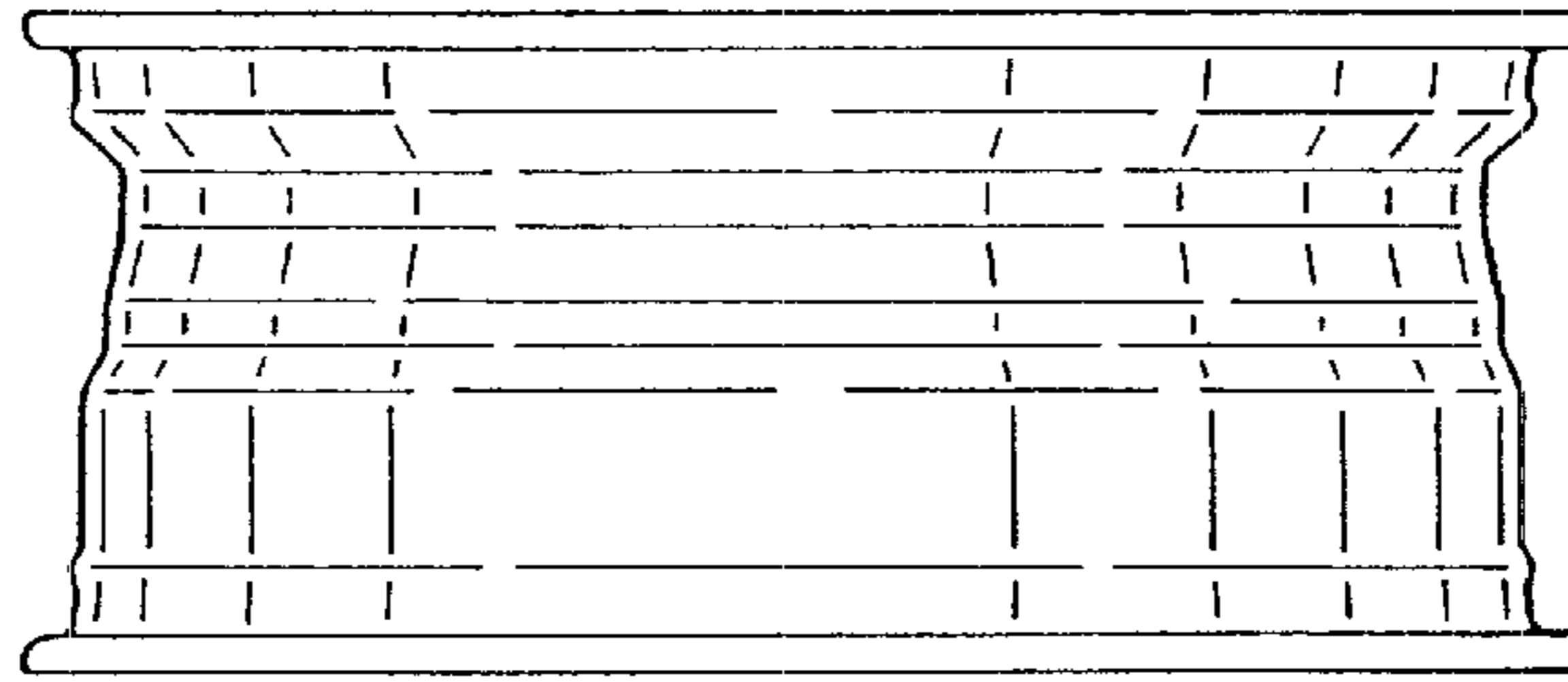


FIG. 6

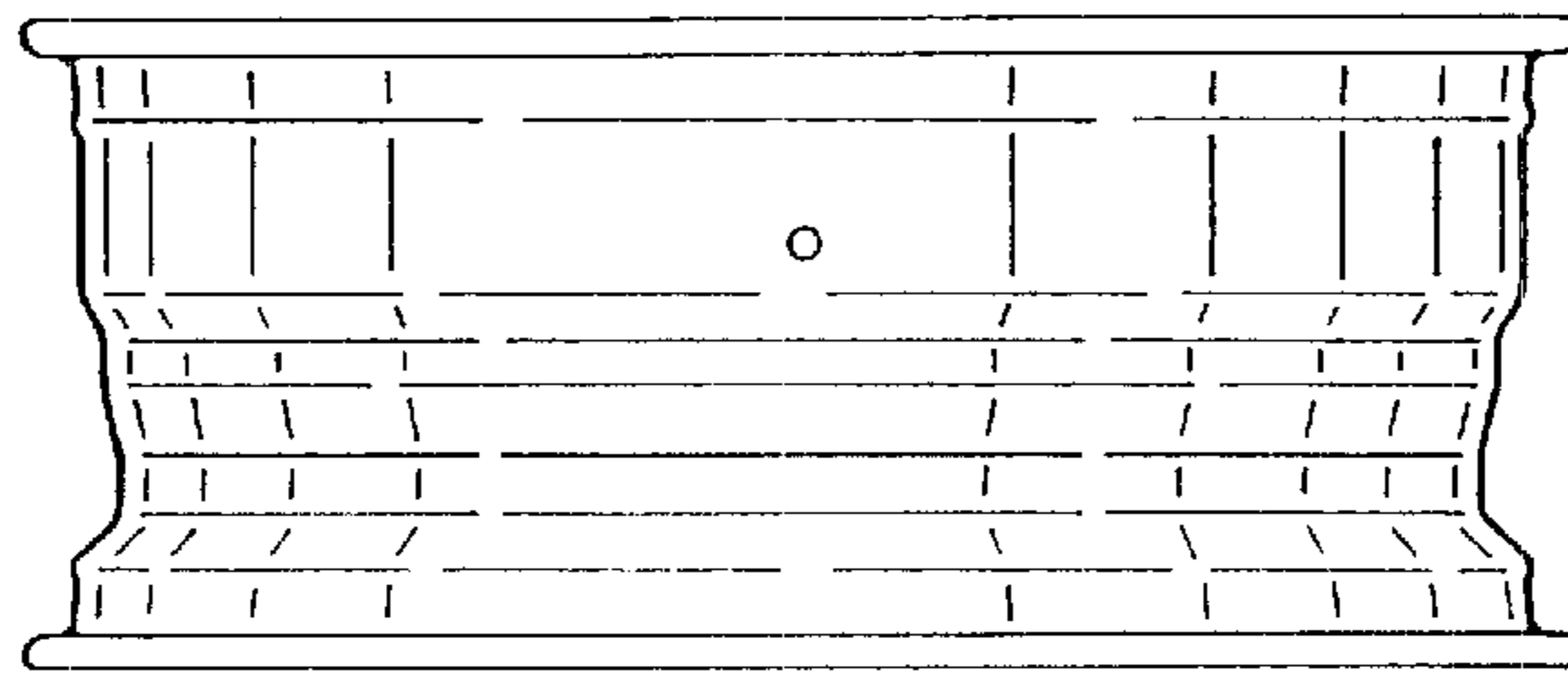


FIG. 7

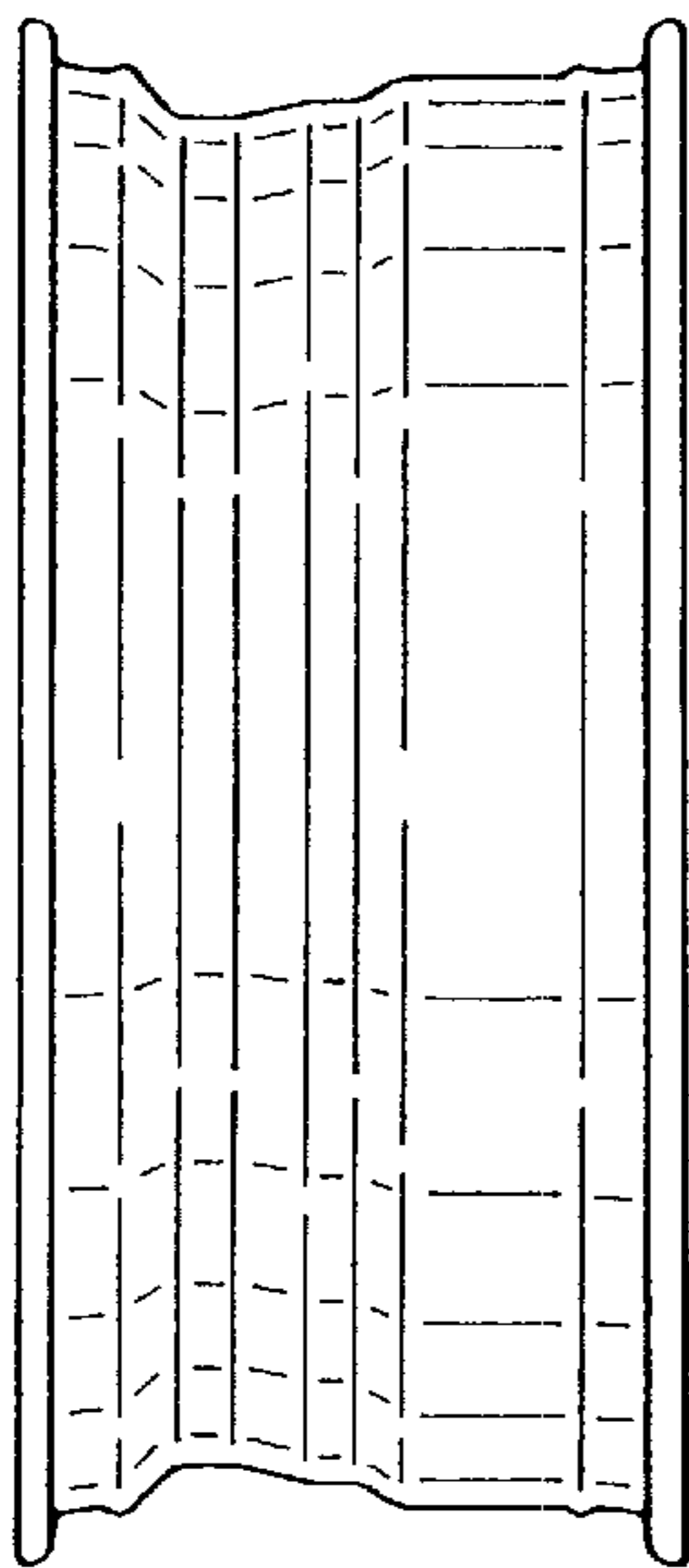


FIG. 8

