



US00D460035S

(12) **United States Design Patent**
Wiesinger

(10) **Patent No.:** **US D460,035 S**

(45) **Date of Patent:** **** Jul. 9, 2002**

(54) **VEHICLE WHEEL**

(75) Inventor: **Alois Wiesinger**, Buchloe (DE)

(73) Assignee: **ALPINA Burkard Bovesiepen GmbH**
+ Co, Buchloe (DE)

(**) Term: **14 Years**

(21) Appl. No.: **29/122,959**

(22) Filed: **May 8, 2000**

(30) **Foreign Application Priority Data**

Nov. 6, 1999 (DE) 499 10 452.8

(51) **LOC (7) Cl.** **12-16**

(52) **U.S. Cl.** **D12/211**

(58) **Field of Search** D12/204-211;
301/37.1, 64.1, 65

(56) **References Cited**

U.S. PATENT DOCUMENTS

3,043,631 A	*	7/1962	Swoboda	301/37.1
D225,626 S	*	12/1972	Davidson	D12/211
D236,198 S	*	8/1975	Clary	D12/211
D270,344 S	*	8/1983	Cunard et al.	D12/211
D294,821 S	*	3/1988	Danbom	D12/211
D402,951 S	*	12/1998	Wechner	D12/211

D406,807 S	*	3/1999	Shikado	D12/211
D410,886 S	*	6/1999	Nishida	D12/211
D416,850 S	*	11/1999	Cohen et al.	D12/211
D428,847 S	*	8/2000	Hussaini et al.	D12/211
D429,206 S	*	8/2000	Ito	D12/211
D445,753 S	*	7/2001	Neeper	D12/211

OTHER PUBLICATIONS

Copy of the catalogue Auto-Teile-Unger 18 pages, Jul. 2000.

Copies of the registered designs in the German Patent Office (22 pages) (no date).

* cited by examiner

Primary Examiner—Stacia Cadmus

(57) **CLAIM**

The ornamental design for a vehicle wheel, as shown and described.

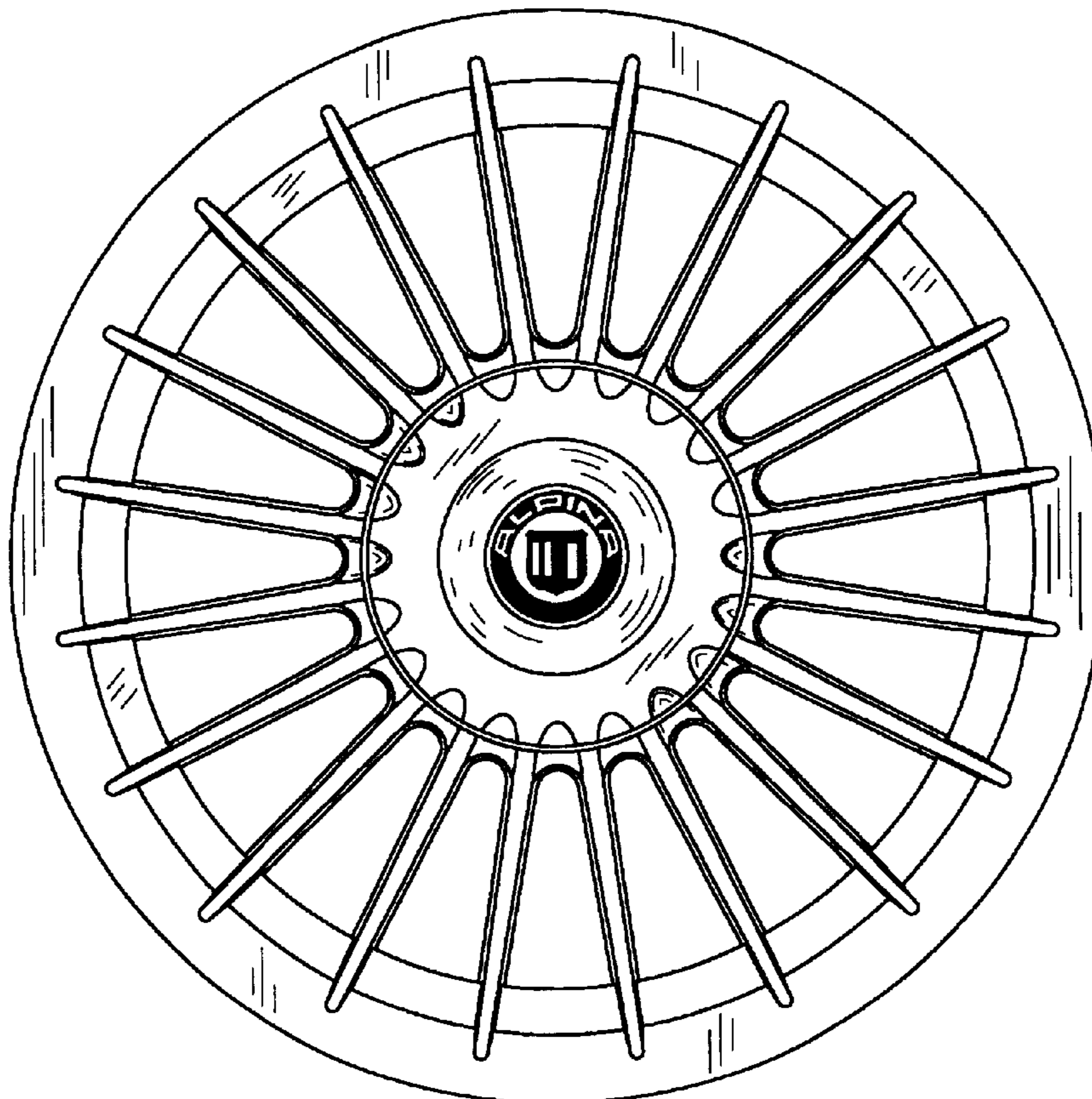
DESCRIPTION

FIG. 1 is a perspective view of a vehicle wheel showing my new design;

FIG. 2 is a front view thereof; and,

FIG. 3 is a top view thereof; a bottom view, a left side view and a right side view are the same.

1 Claim, 3 Drawing Sheets



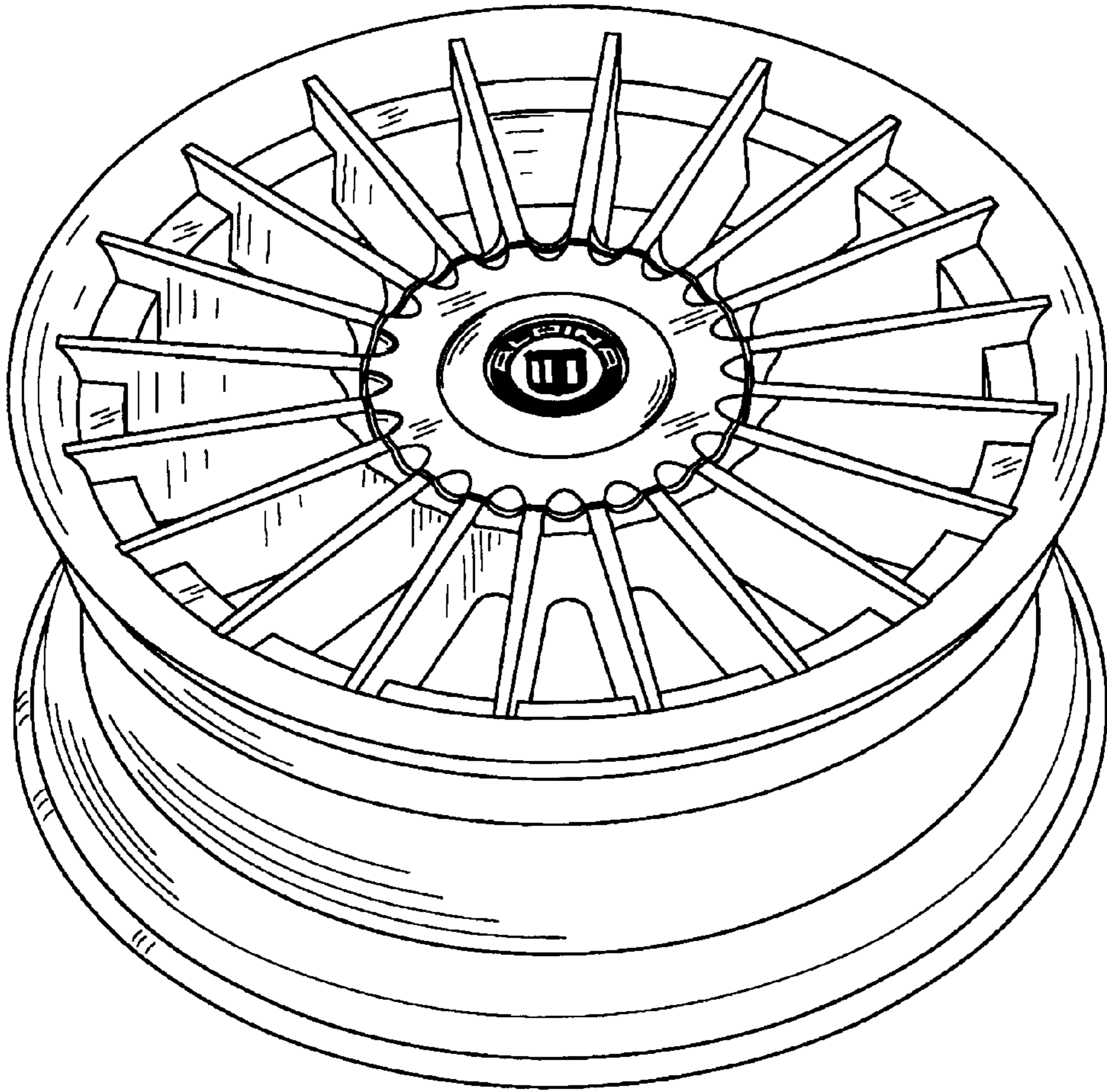


Fig. 1

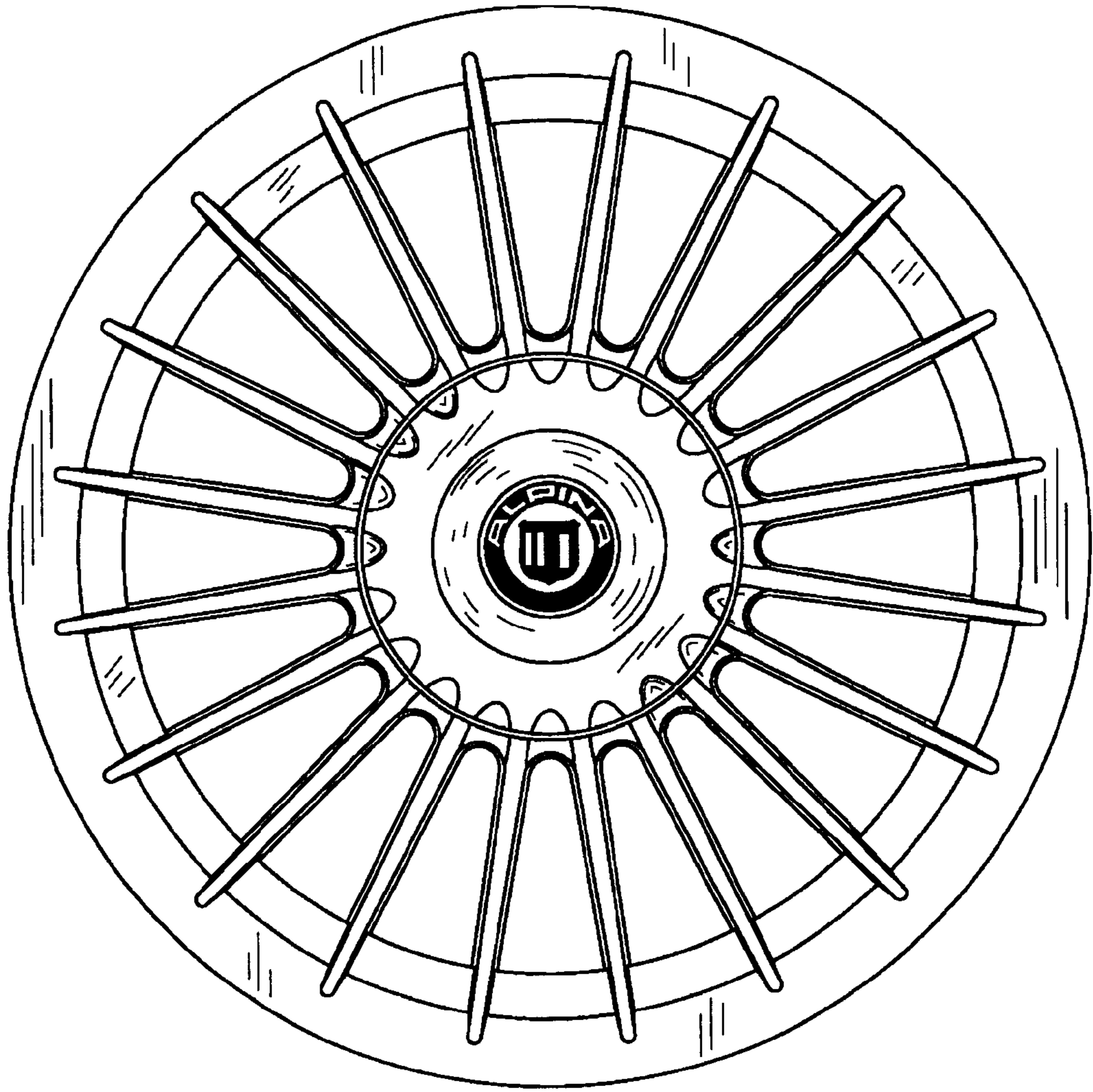


Fig. 2

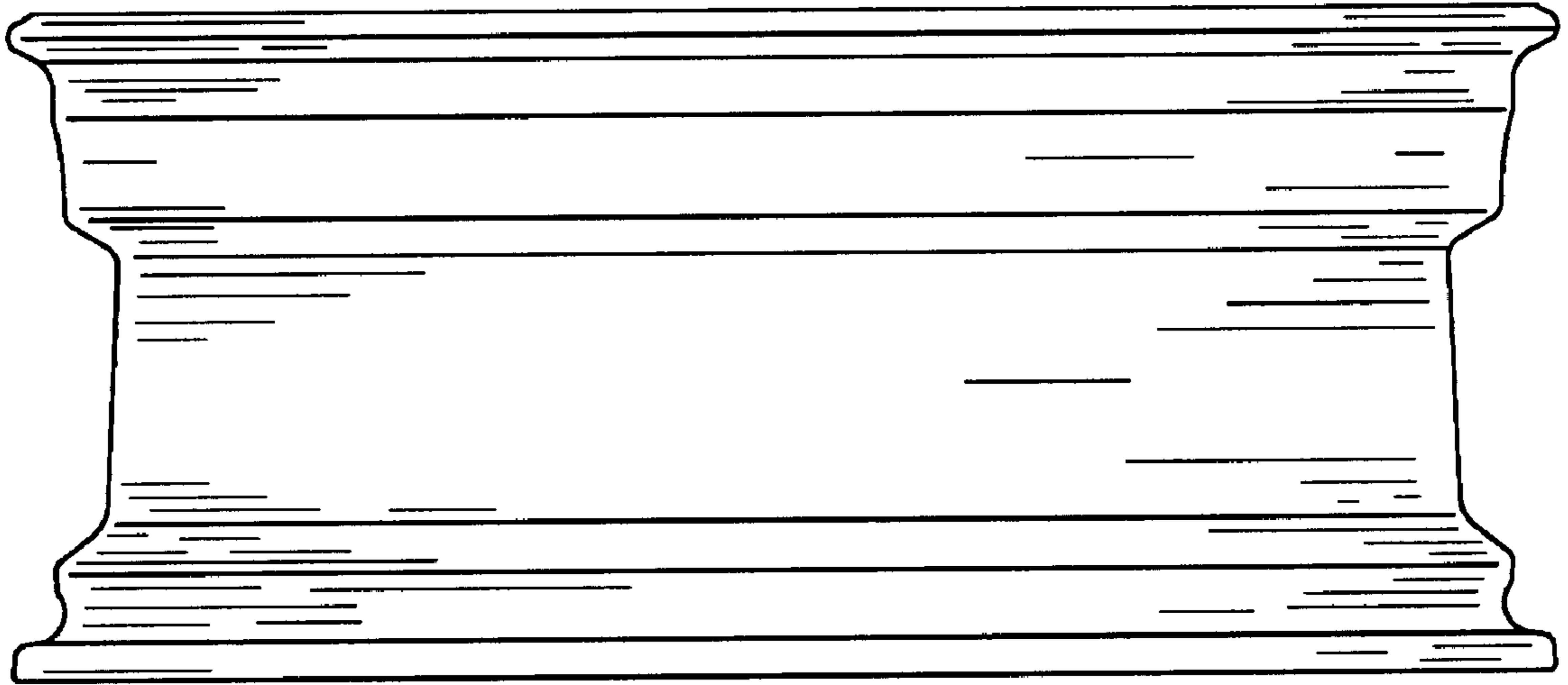


Fig. 3