



US00D460032S

(12) **United States Design Patent**  
**Mattin**

(10) **Patent No.:** **US D460,032 S**

(45) **Date of Patent:** **\*\* Jul. 9, 2002**

(54) **FRONT FACE OF A VEHICLE WHEEL**

(75) **Inventor:** **Stephen Mattin, Sindelfingen (DE)**

(73) **Assignee:** **DaimlerChrysler AG, Stuttgart (DE)**

(\*\*) **Term:** **14 Years**

(21) **Appl. No.:** **29/115,603**

(22) **Filed:** **Dec. 20, 1999**

(30) **Foreign Application Priority Data**

Jun. 18, 1999 (DE) ..... 4 99 05 779

(51) **LOC (7) Cl.** ..... **12-16**

(52) **U.S. Cl.** ..... **D12/209**

(58) **Field of Search** ..... D12/204-211;  
301/37.1, 64.1, 65

(56) **References Cited**

**U.S. PATENT DOCUMENTS**

D376,572 S	*	12/1996	Pfeiffer .....	D12/209
D388,047 S	*	12/1997	Pfeiffer et al. ....	D12/211
D391,216 S	*	2/1998	Bollmann et al. ....	D12/209
D393,239 S	*	4/1998	Schmid .....	D12/209
D393,825 S	*	4/1998	Fike .....	D12/209
D398,897 S	*	9/1998	Muzzarelli .....	D12/209

D401,899 S	*	12/1998	Pfeiffer .....	D12/209
D407,681 S	*	4/1999	Sacco et al. ....	D12/209
D408,346 S	*	4/1999	Goplen .....	D12/211
D411,977 S	*	7/1999	Feriero .....	D12/209
D425,847 S	*	5/2000	Iguchi .....	D12/209
D427,131 S	*	6/2000	Wang .....	D12/211
D434,712 S	*	12/2000	Chung .....	D12/209
D438,157 S	*	2/2001	Donikoglu .....	D12/209
D441,706 S	*	5/2001	Pfeiffer .....	D12/209
D446,179 S	*	8/2001	Sinkwitz .....	D12/209

\* cited by examiner

*Primary Examiner*—Stacia Cadmus

(74) *Attorney, Agent, or Firm*—Crowell & Moring LLP

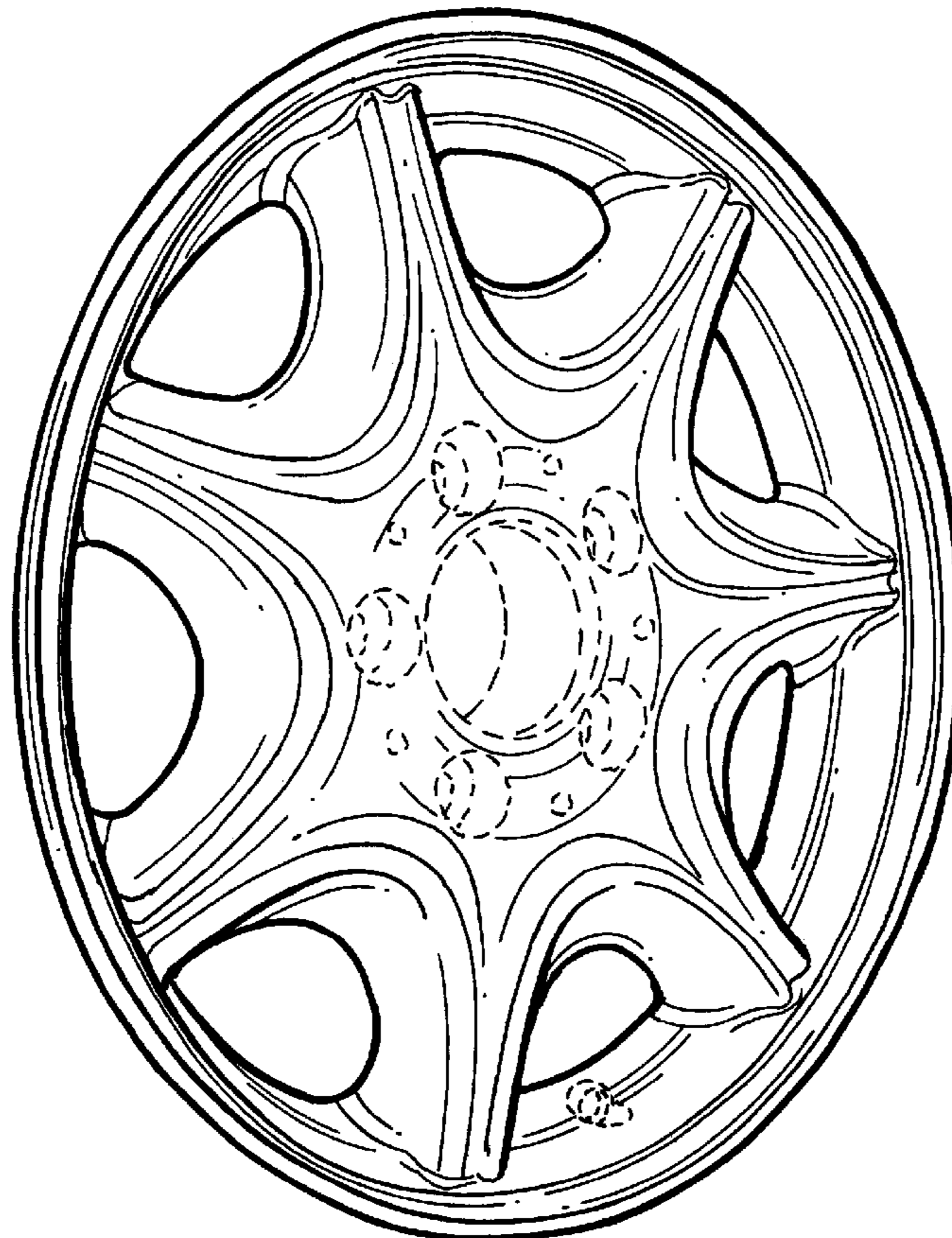
(57) **CLAIM**

The ornamental design for a front face of a vehicle wheel, as shown and described.

**DESCRIPTION**

FIG. 1 is a front view of a front face of a vehicle wheel according to my novel design; and, FIG. 2 is a perspective view of the front face of a vehicle wheel according to my novel design. The dash lines included depict environment and are not part of the claimed design.

**1 Claim, 1 Drawing Sheet**



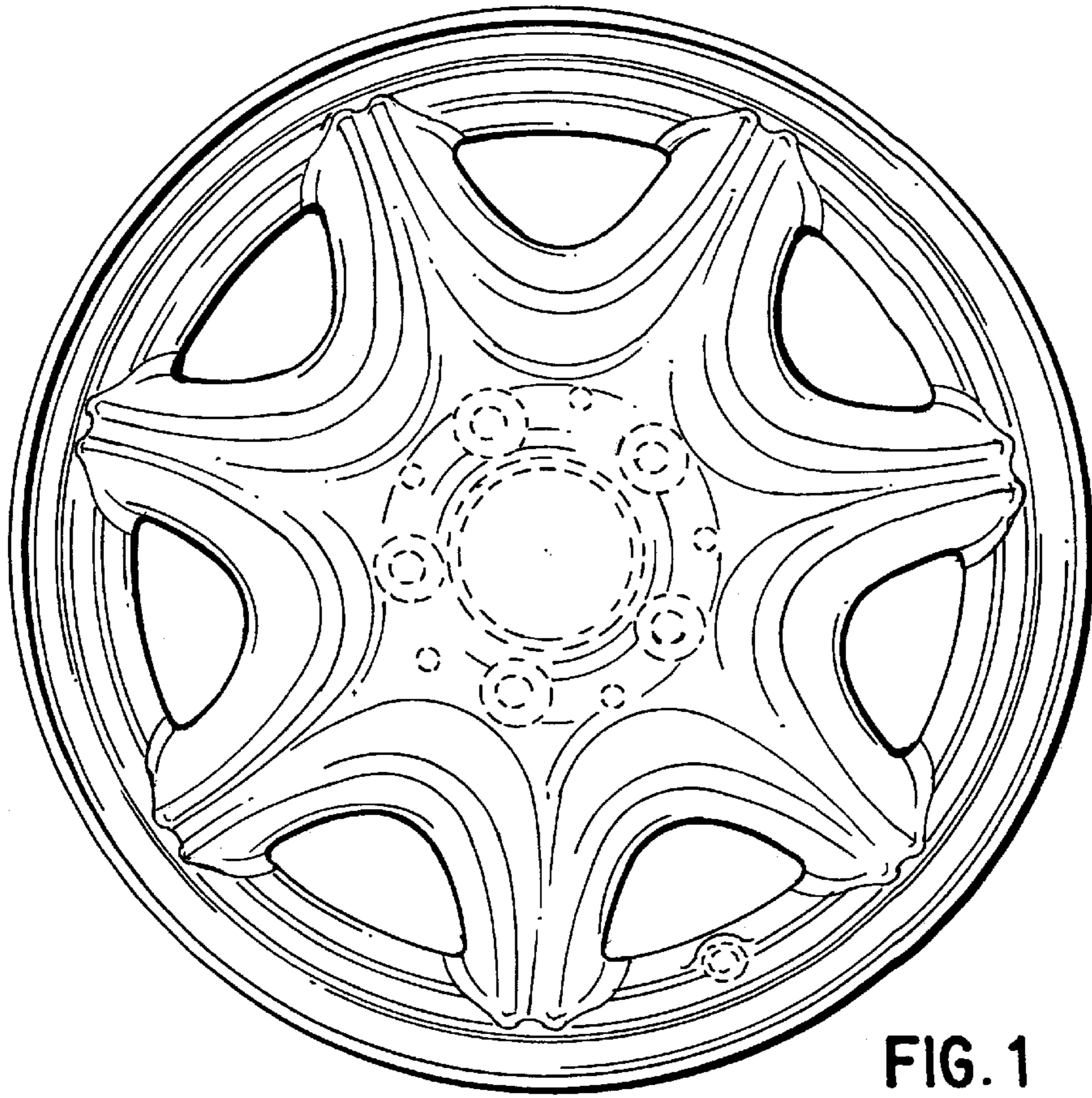


FIG. 1

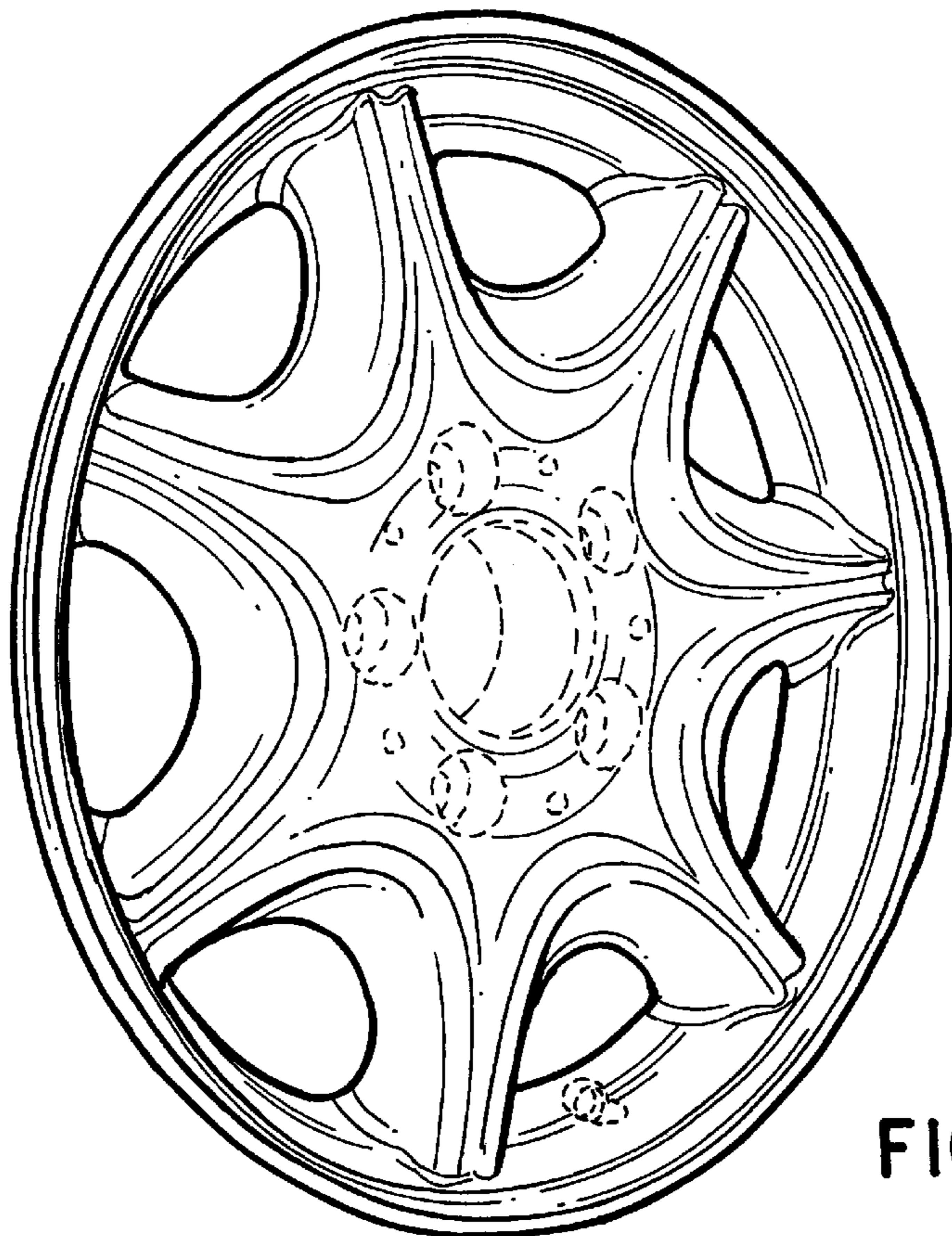


FIG. 2