



US00D460028S

(12) **United States Design Patent**
Wu et al.

(10) **Patent No.:** **US D460,028 S**

(45) **Date of Patent:** **** Jul. 9, 2002**

(54) **ELECTRIC MOBILITY SCOOTER**

(75) Inventors: **Wen-Yung Wu; Chi-Chen Tsai**, both
of Kaohsiung Hsien (TW)

(73) Assignee: **Kwang Yang Motor Co., Ltd.**,
Kaohsiung (TW)

(**) Term: **14 Years**

(21) Appl. No.: **29/149,971**

(22) Filed: **Oct. 25, 2001**

(51) **LOC (7) Cl.** **12-12**

(52) **U.S. Cl.** **D12/128; D12/131**

(58) **Field of Search** **D12/128-133;**
280/304.1, 250.1; 180/6.5, 65.1, 21, 907,
908, 326, 65.6; 297/DIG. 4

(56) **References Cited**

U.S. PATENT DOCUMENTS

D403,279 S * 12/1998 Wu D12/131

D409,121 S * 5/1999 Imai et al. D12/131

D444,421 S * 7/2001 Cheng D12/131

D444,422 S * 7/2001 Cheng D12/131

* cited by examiner

Primary Examiner—Marcus A. Jackson

(74) *Attorney, Agent, or Firm*—Rosenberg, Klein & Lee

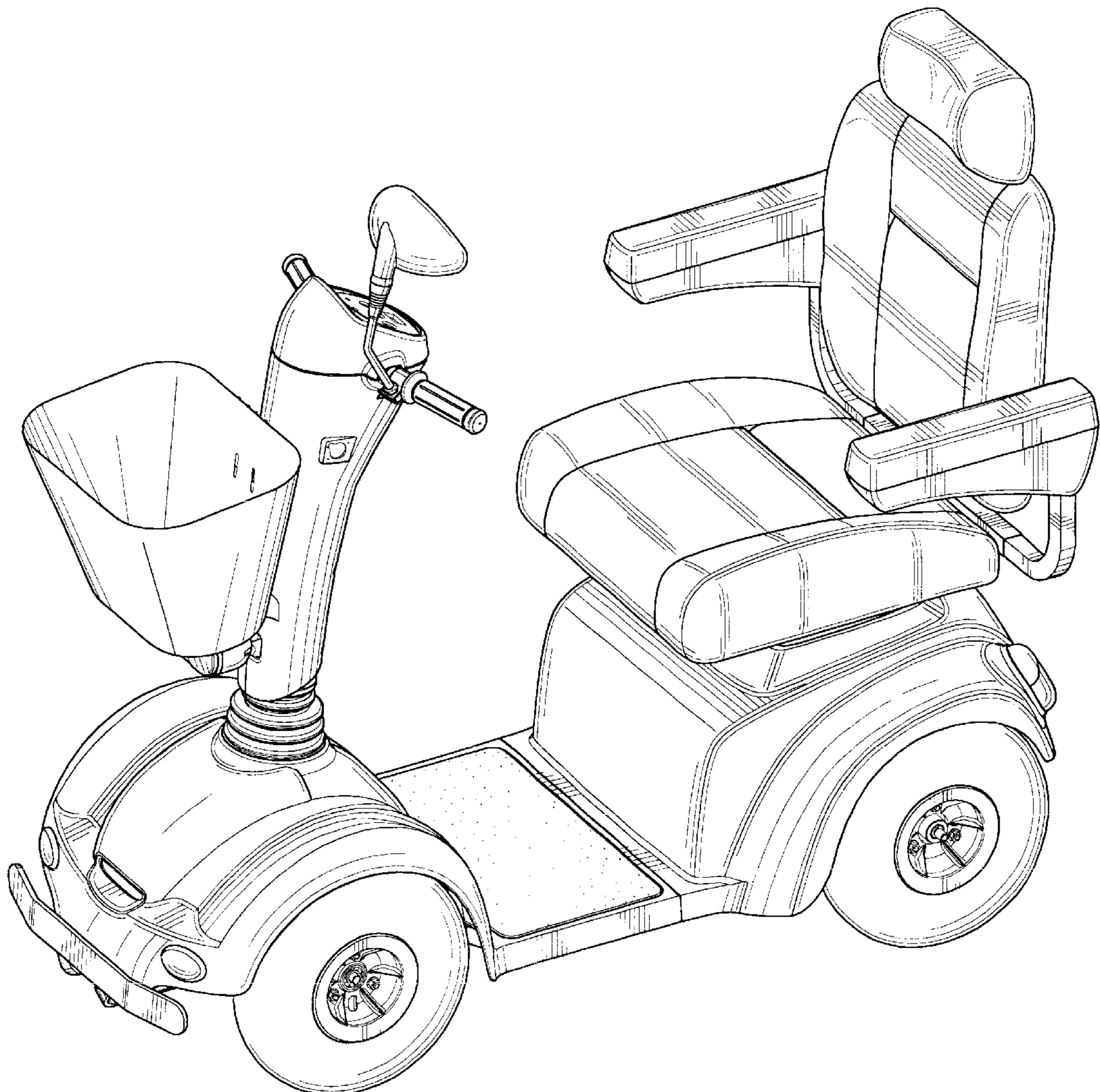
(57) **CLAIM**

The ornamental design for an electric mobility scooter, as shown and described.

DESCRIPTION

FIG. 1 is a perspective view of an electric mobility scooter showing my present design; FIG. 2 is a front view thereof; FIG. 3 is a rear view thereof; FIG. 4 is a left view thereof; FIG. 5 is a right view thereof; FIG. 6 is a top plan view thereof; and, FIG. 7 is a bottom plan view.

1 Claim, 7 Drawing Sheets



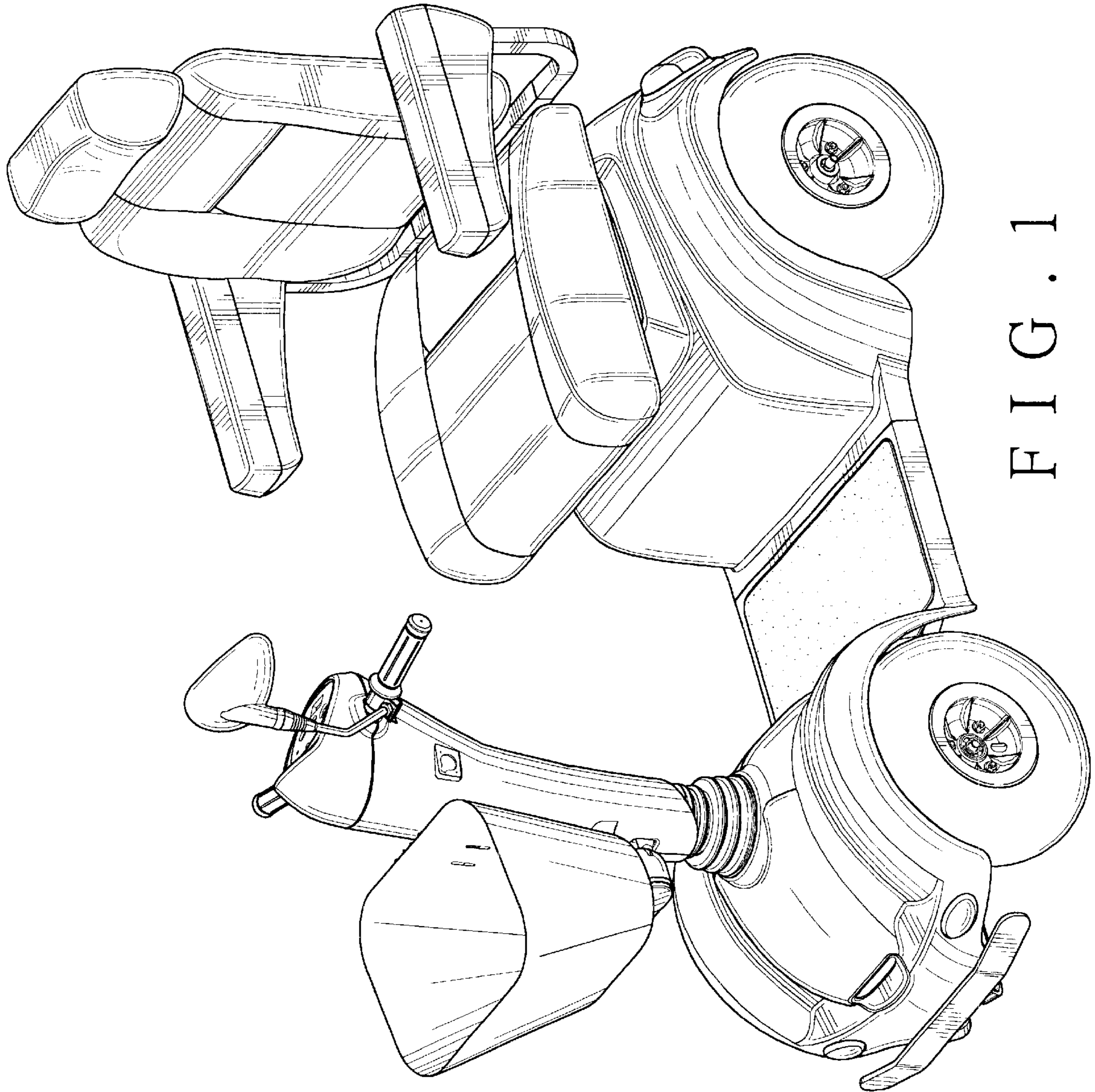


FIG. 1

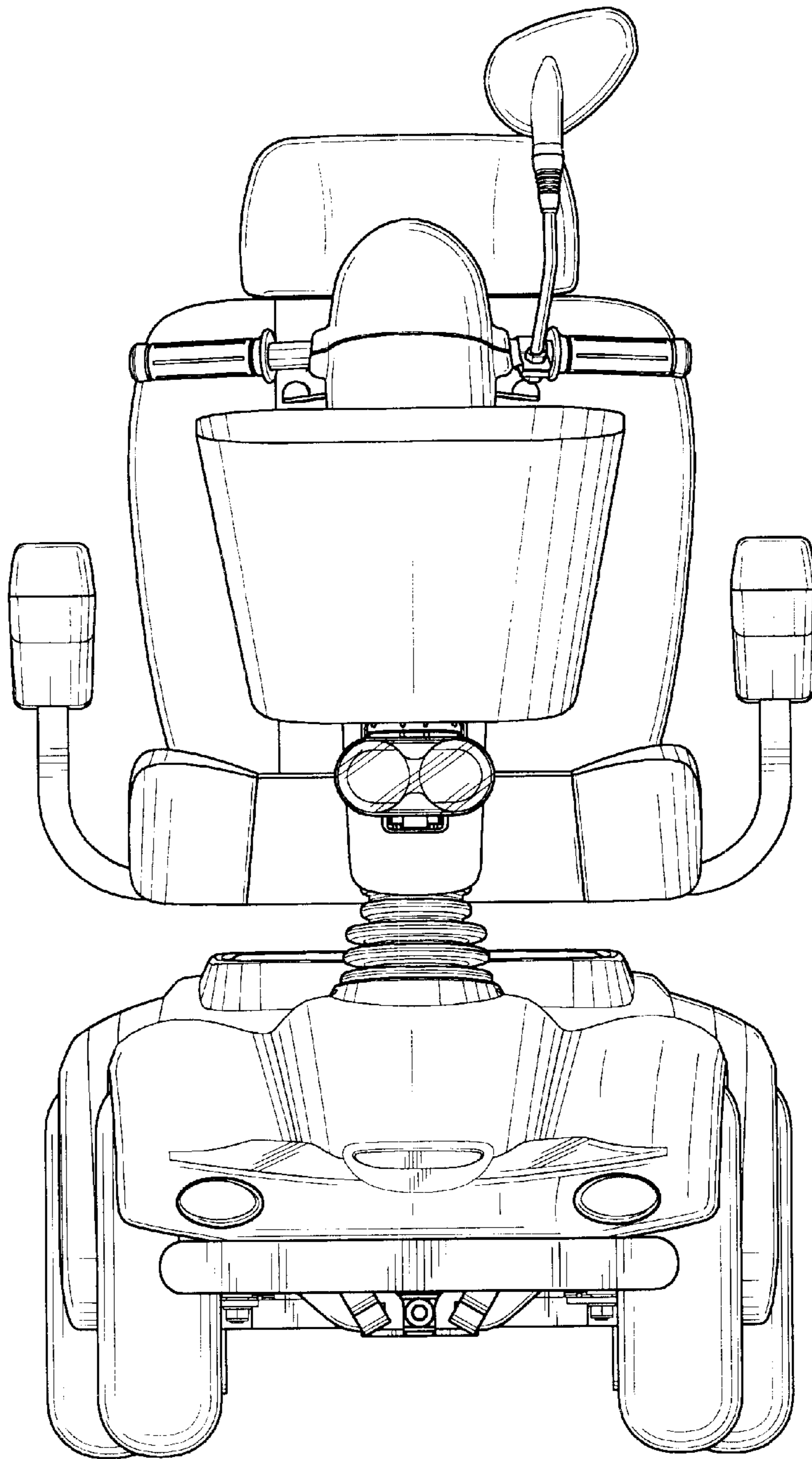


FIG. 2

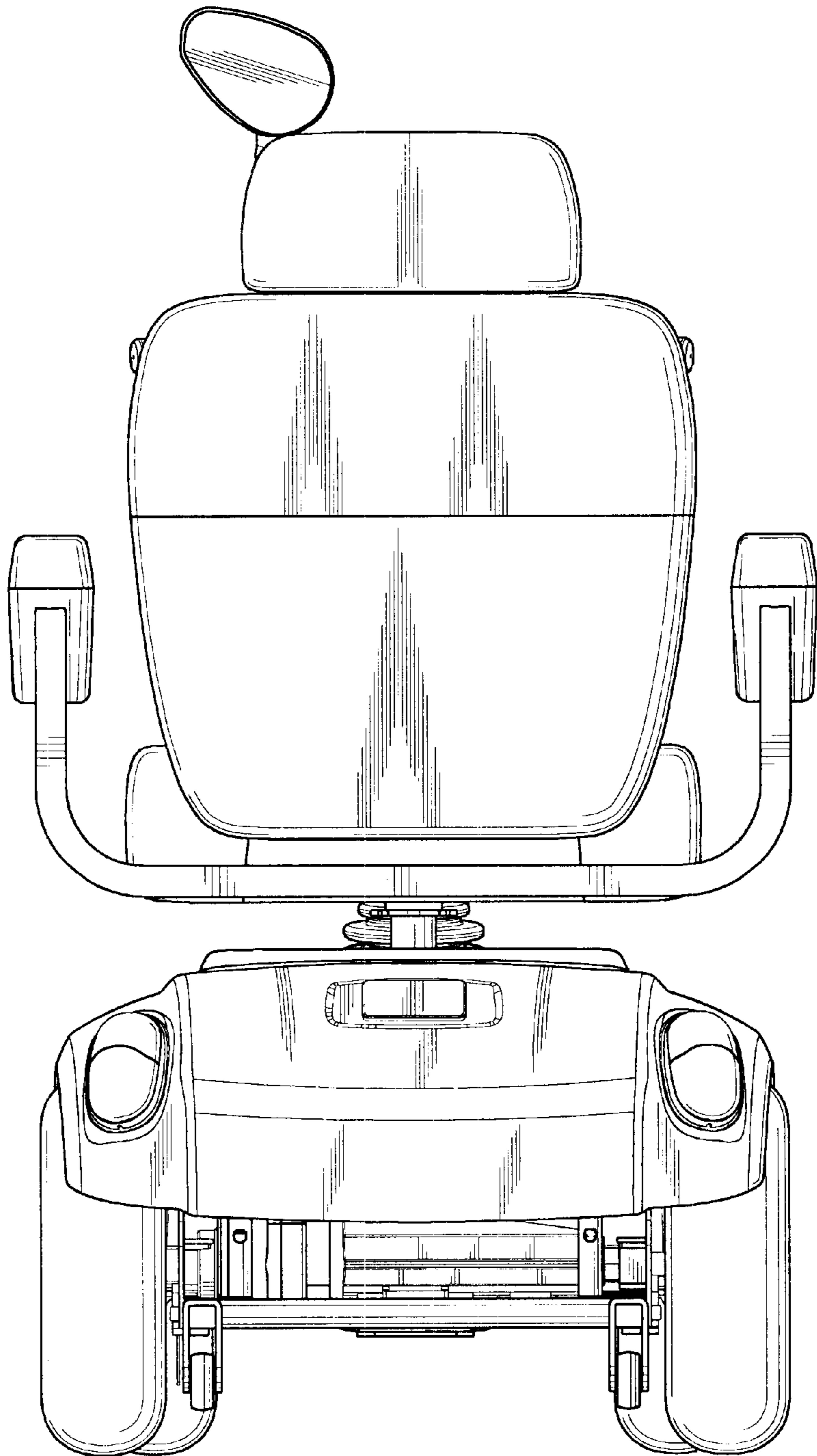


FIG. 3

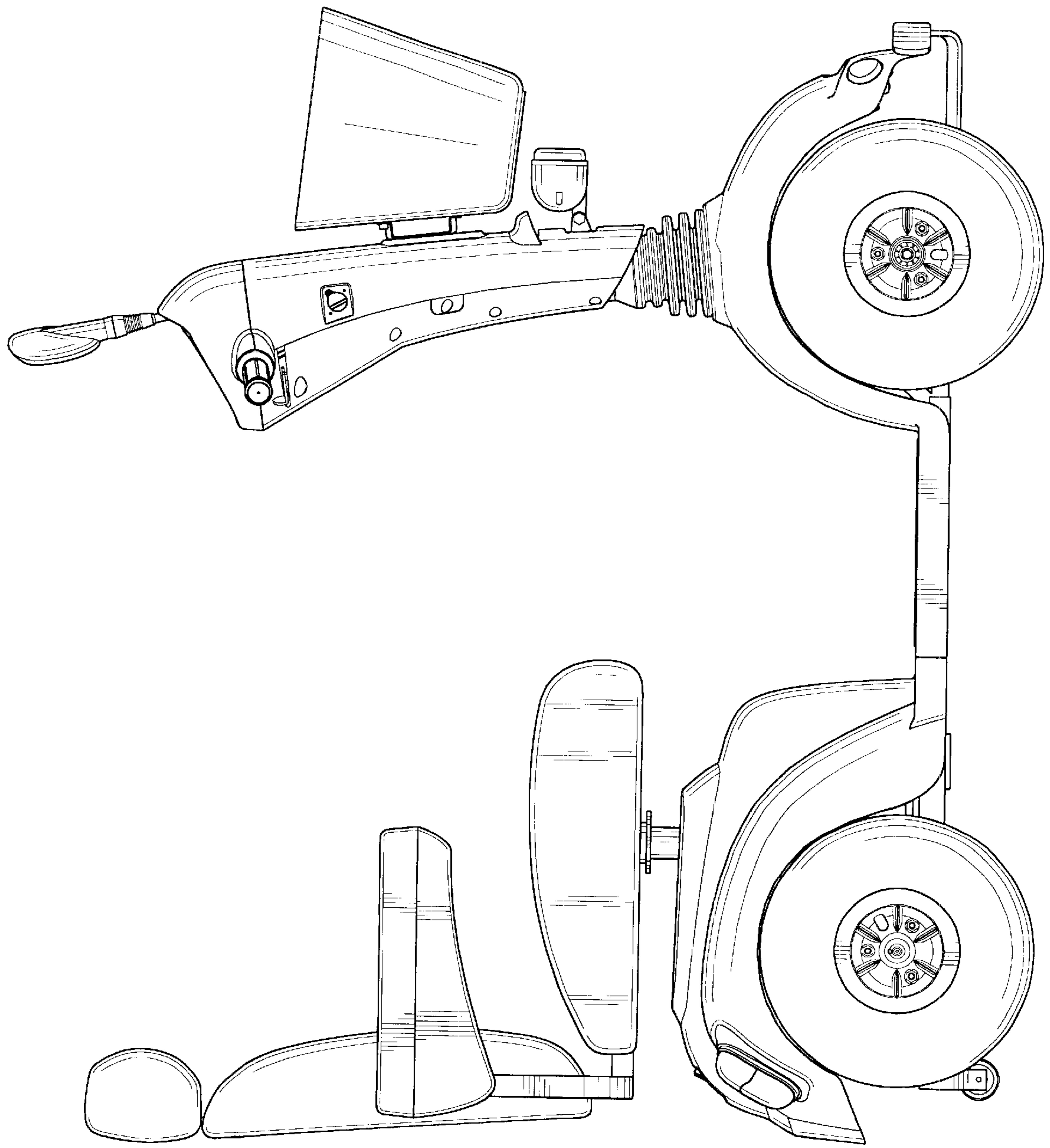


FIG. 4

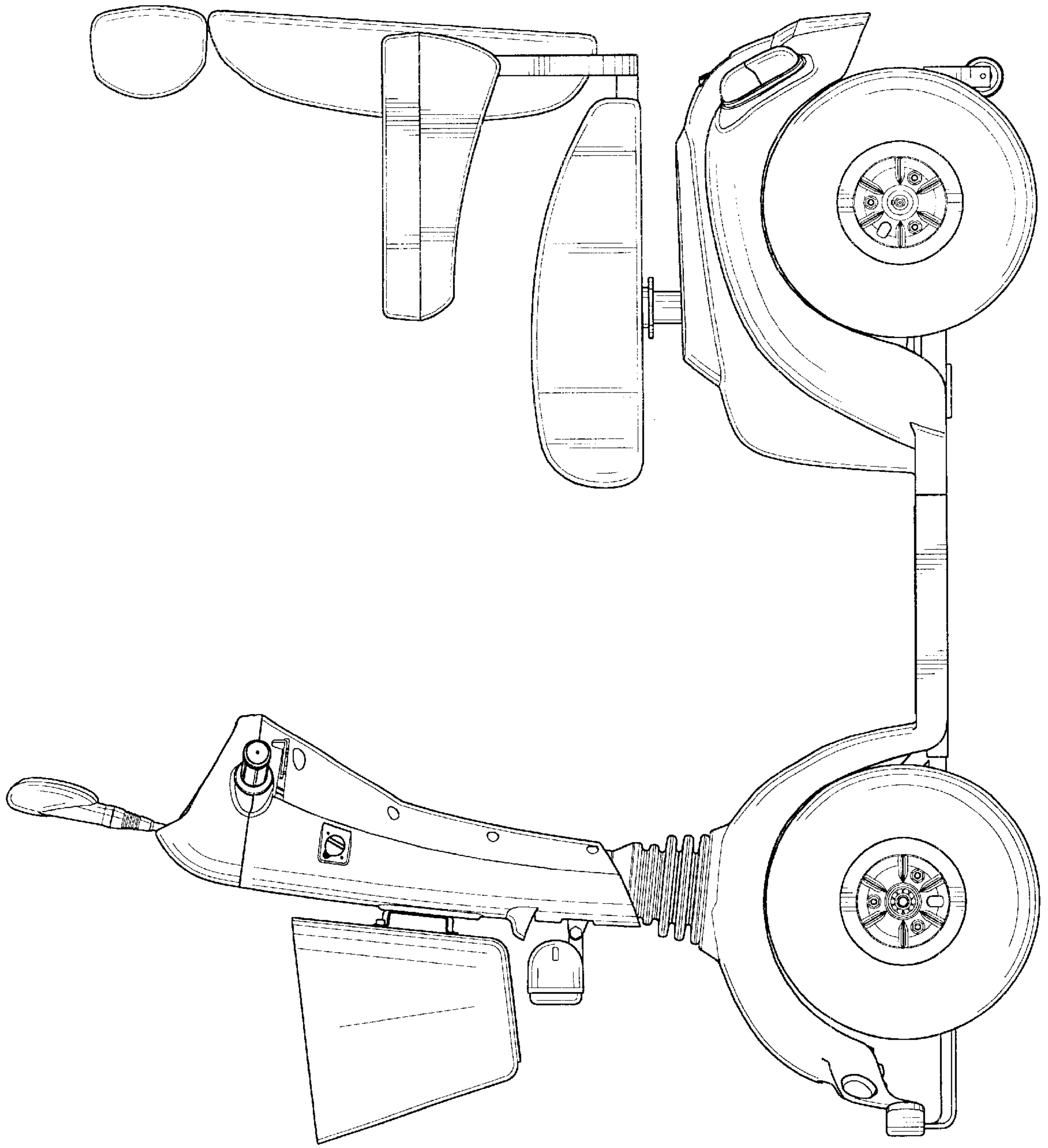


FIG. 5

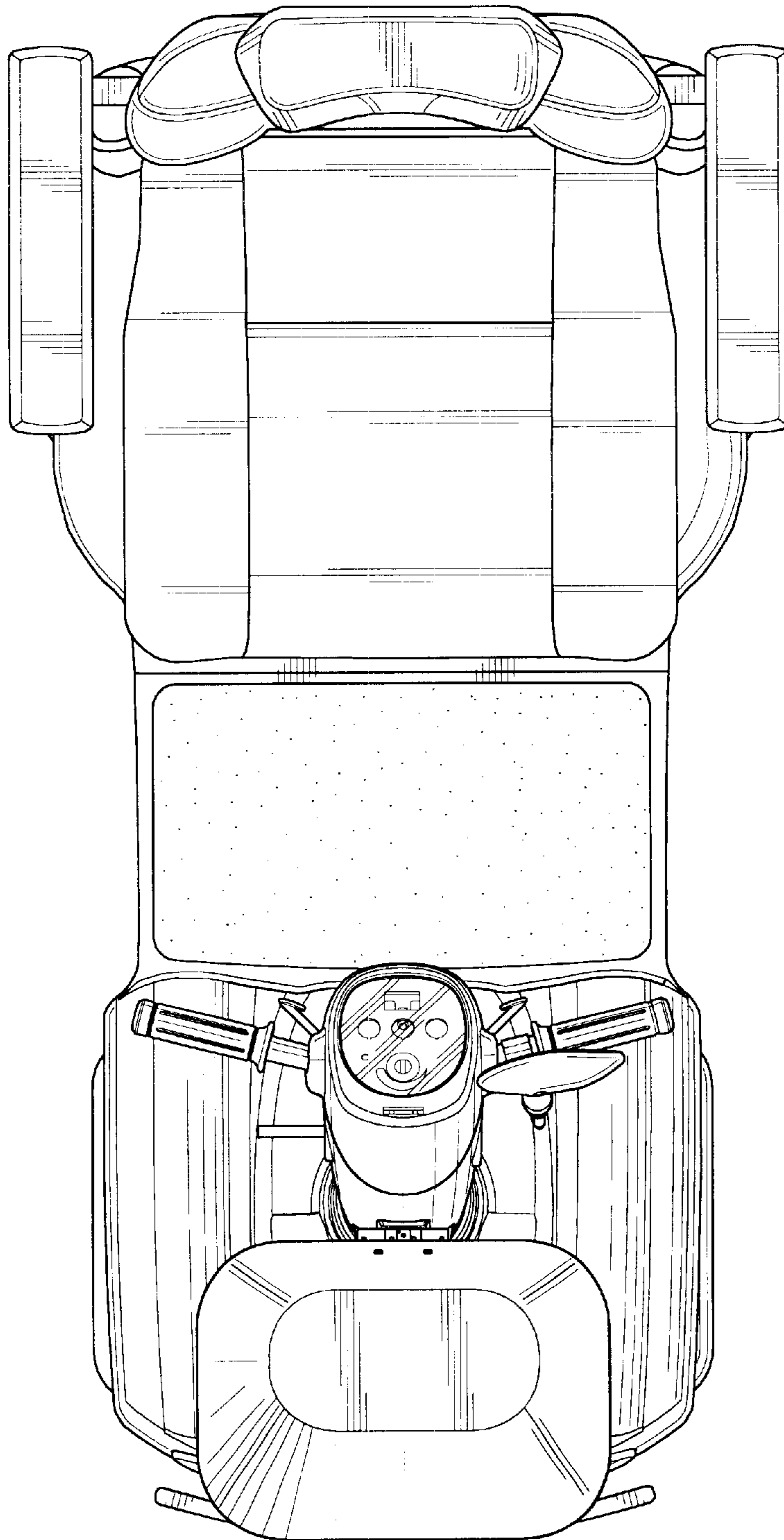


FIG. 6

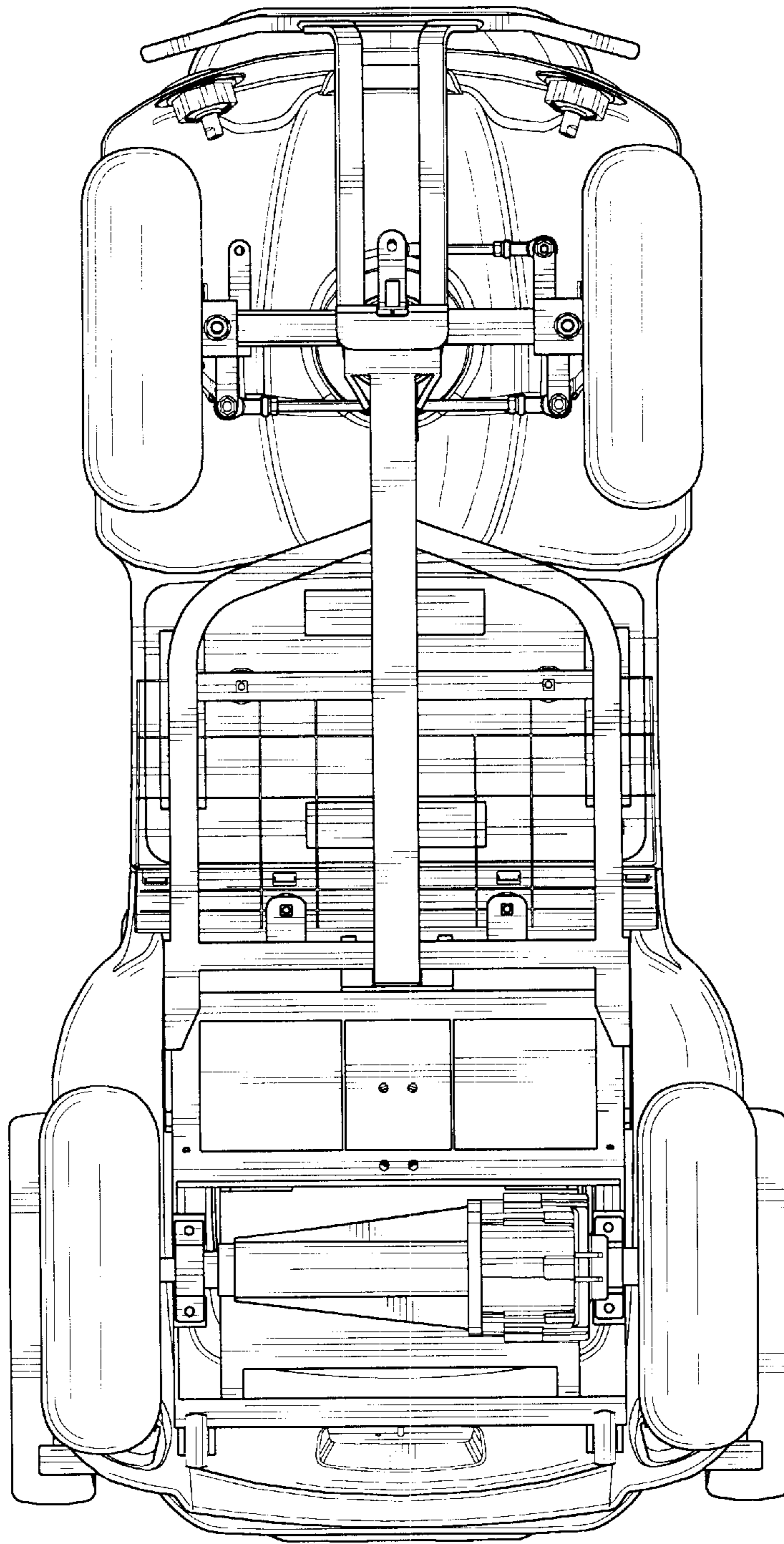


FIG. 7