



US00D460027S

(12) **United States Design Patent**
Shafer et al.

(10) **Patent No.:** **US D460,027 S**

(45) **Date of Patent:** **** Jul. 9, 2002**

(54) **REAR-STEER VEHICLE**

(75) Inventors: **Lee C. Shafer; Eric D. Michel**, both of Overton, NE (US)

(73) Assignee: **Dekl, LLC**, Overton, NE (US)

(**) Term: **14 Years**

(21) Appl. No.: **29/149,129**

(22) Filed: **Oct. 3, 2001**

(51) **LOC (7) Cl.** **12-11**

(52) **U.S. Cl.** **D12/112**

(58) **Field of Search** D12/107, 112,
D12/113; D21/533, 538; 180/210-217;
280/201, 211, 242.1, 249, 250, 259-261,
281.1, 288.1-288.3, 282, 267; D34/18

(56) **References Cited**

U.S. PATENT DOCUMENTS

1,599,223 A	9/1926	Epps	
2,884,259 A	4/1959	Snodgrass	280/234
2,995,384 A	8/1961	Rich	280/269
3,311,388 A	3/1967	Ryan et al.	280/269
3,669,468 A	6/1972	Rich	280/267
3,909,043 A	9/1975	Black	280/269
4,103,921 A	8/1978	Brooks et al.	280/267

D251,264 S	*	3/1979	Cook et al.	D12/112
4,451,064 A		5/1984	Perkins	280/259
4,497,502 A		2/1985	Forbes et al.	280/281 LP
4,580,802 A		4/1986	Herman et al.	280/267
4,592,563 A		6/1986	Dean et al.	280/253
5,544,906 A		8/1996	Clapper	280/288.1

* cited by examiner

Primary Examiner—Alan P. Douglas

Assistant Examiner—Linda Brooks

(74) *Attorney, Agent, or Firm*—Kinney & Lange, P.A.

(57) **CLAIM**

The ornamental design for a rear-steer vehicle, as shown and described.

DESCRIPTION

FIG. 1 is a perspective view of the rear-steer vehicle in a neutral position, as viewed from the front and right side thereof;

FIG. 2 is a top view thereof;

FIG. 3 is a front view thereof;

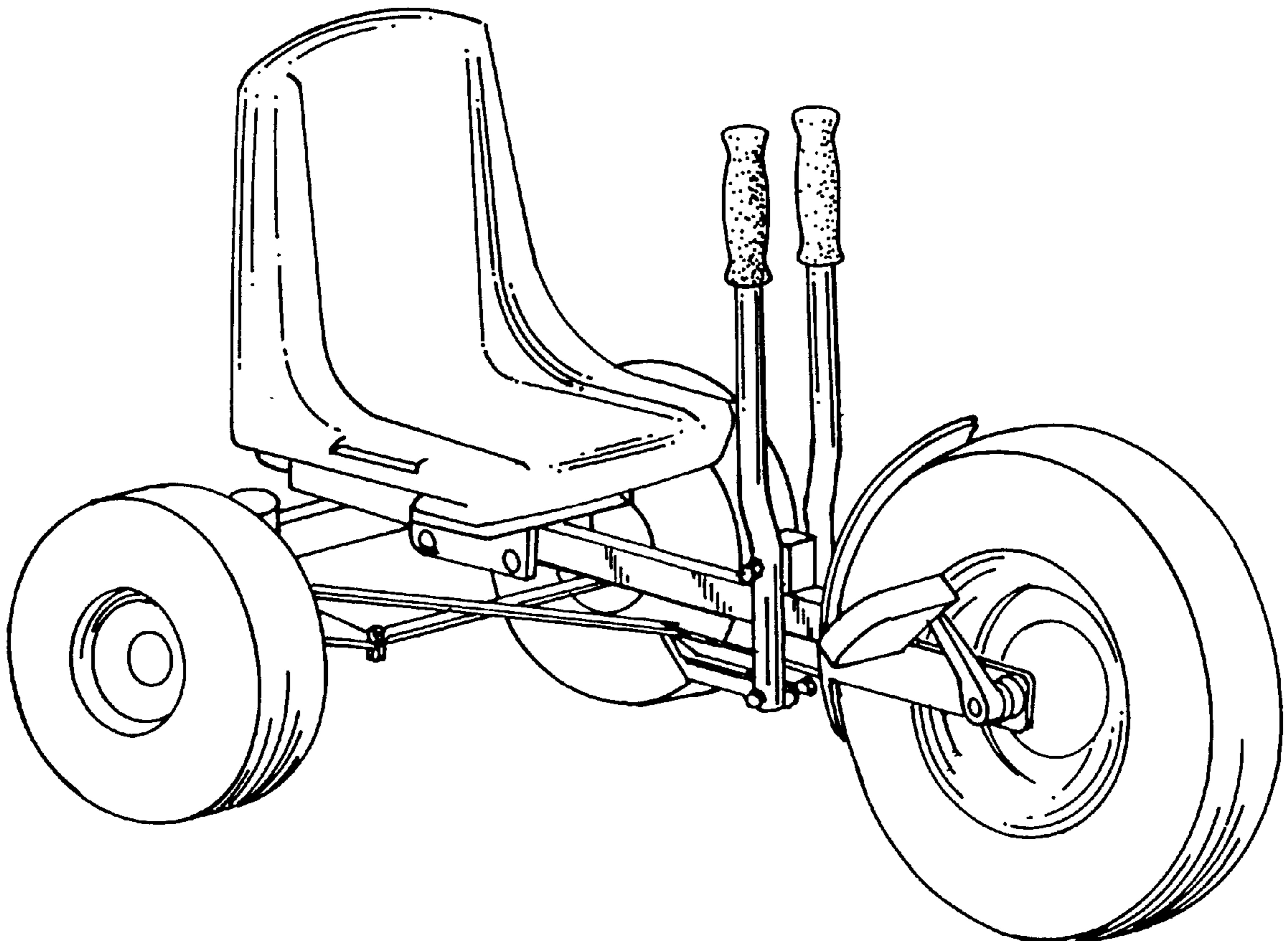
FIG. 4 is a left side view thereof;

FIG. 5 is a right side view thereof;

FIG. 6 is a rear view thereof; and,

FIG. 7 is a bottom view thereof.

1 Claim, 6 Drawing Sheets



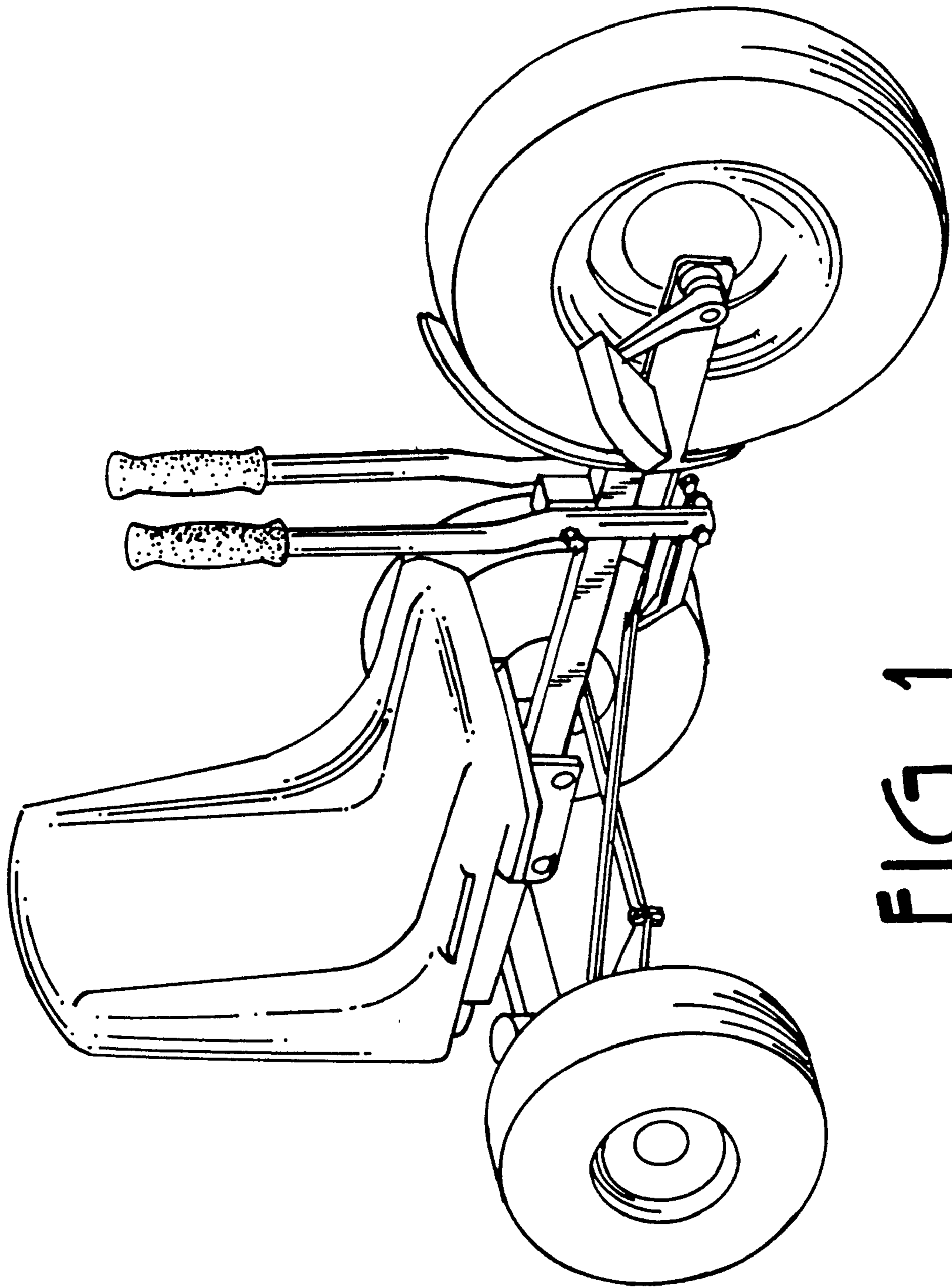


FIG. 1

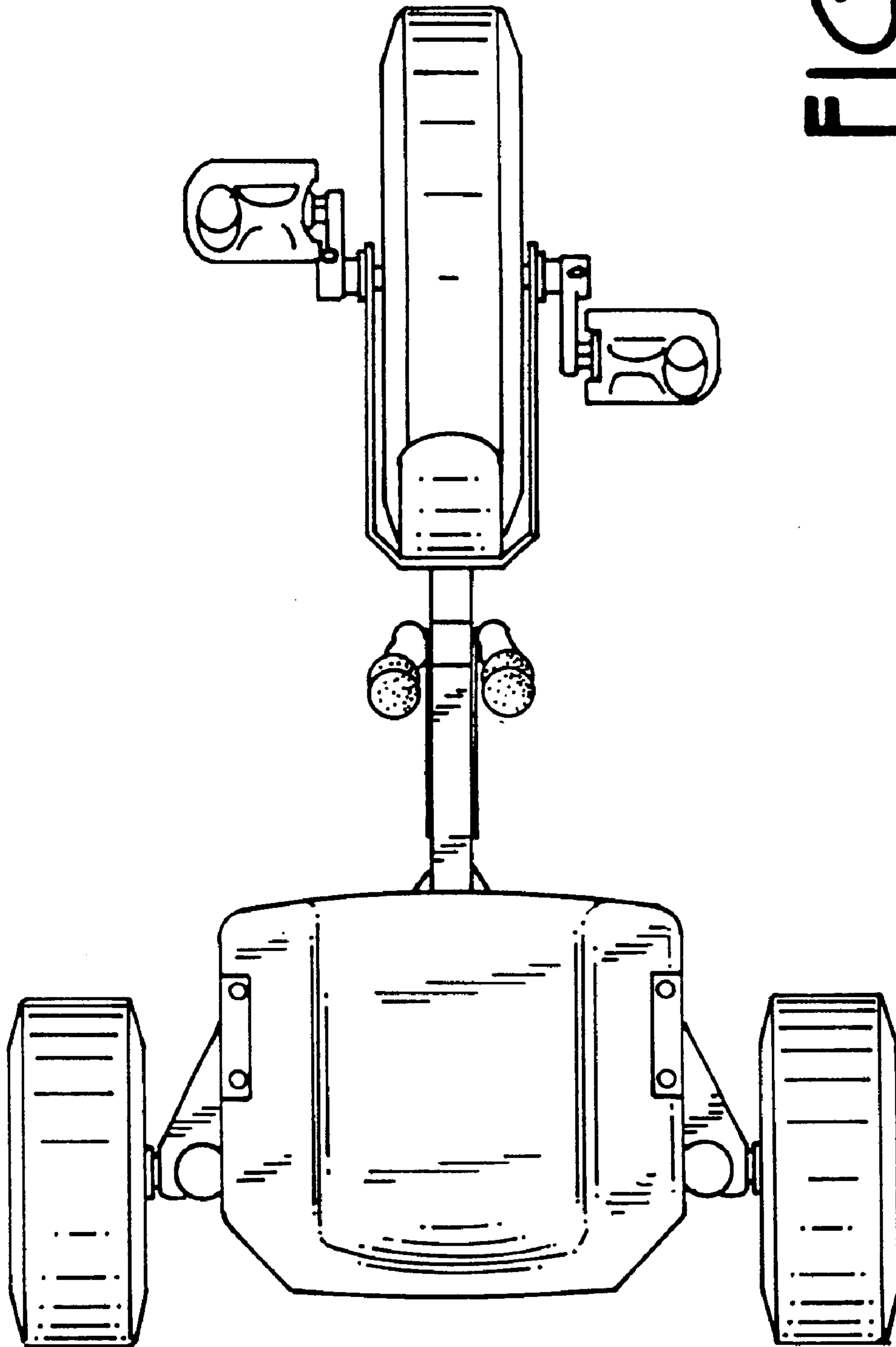


FIG. 2

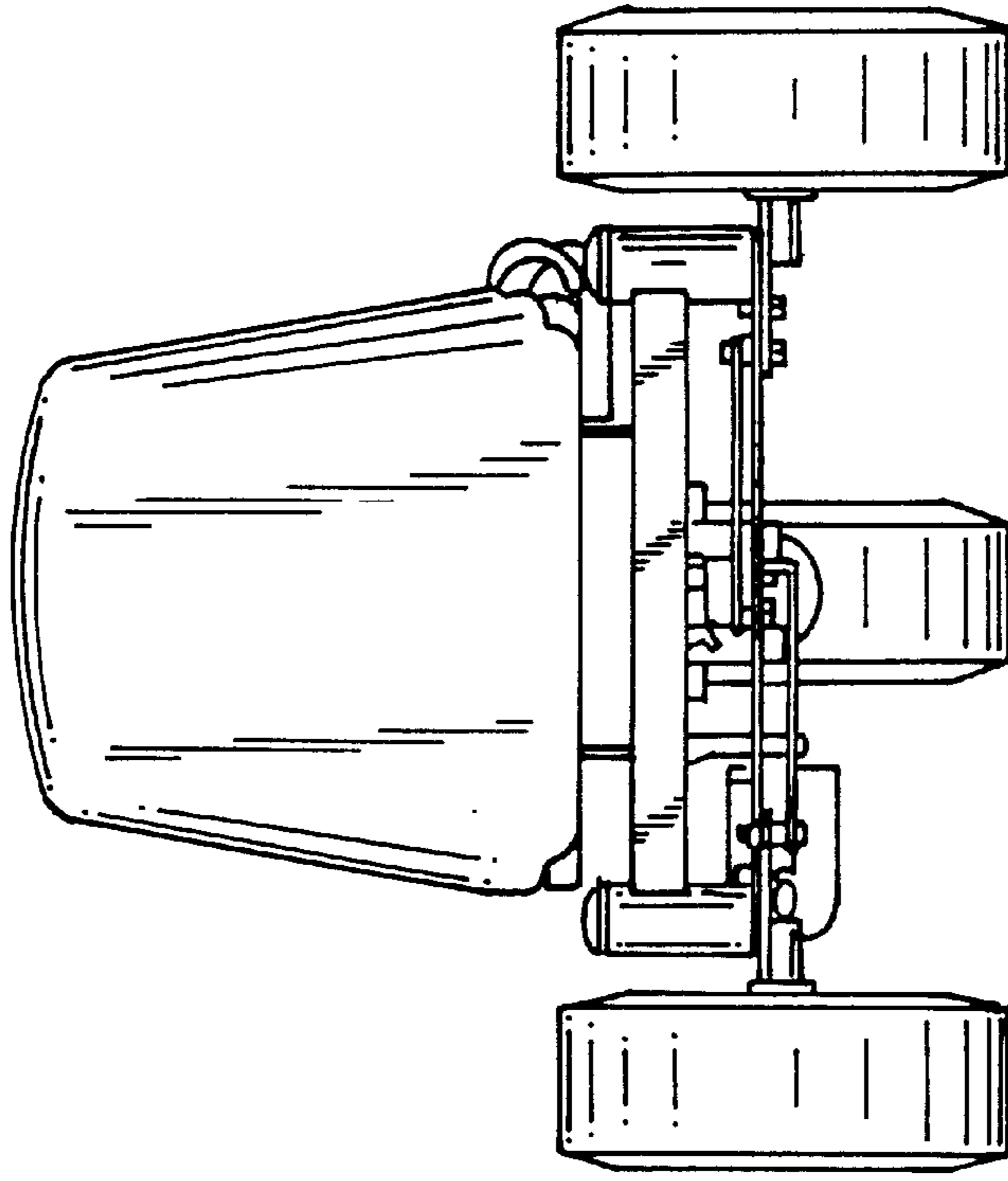


FIG. 6

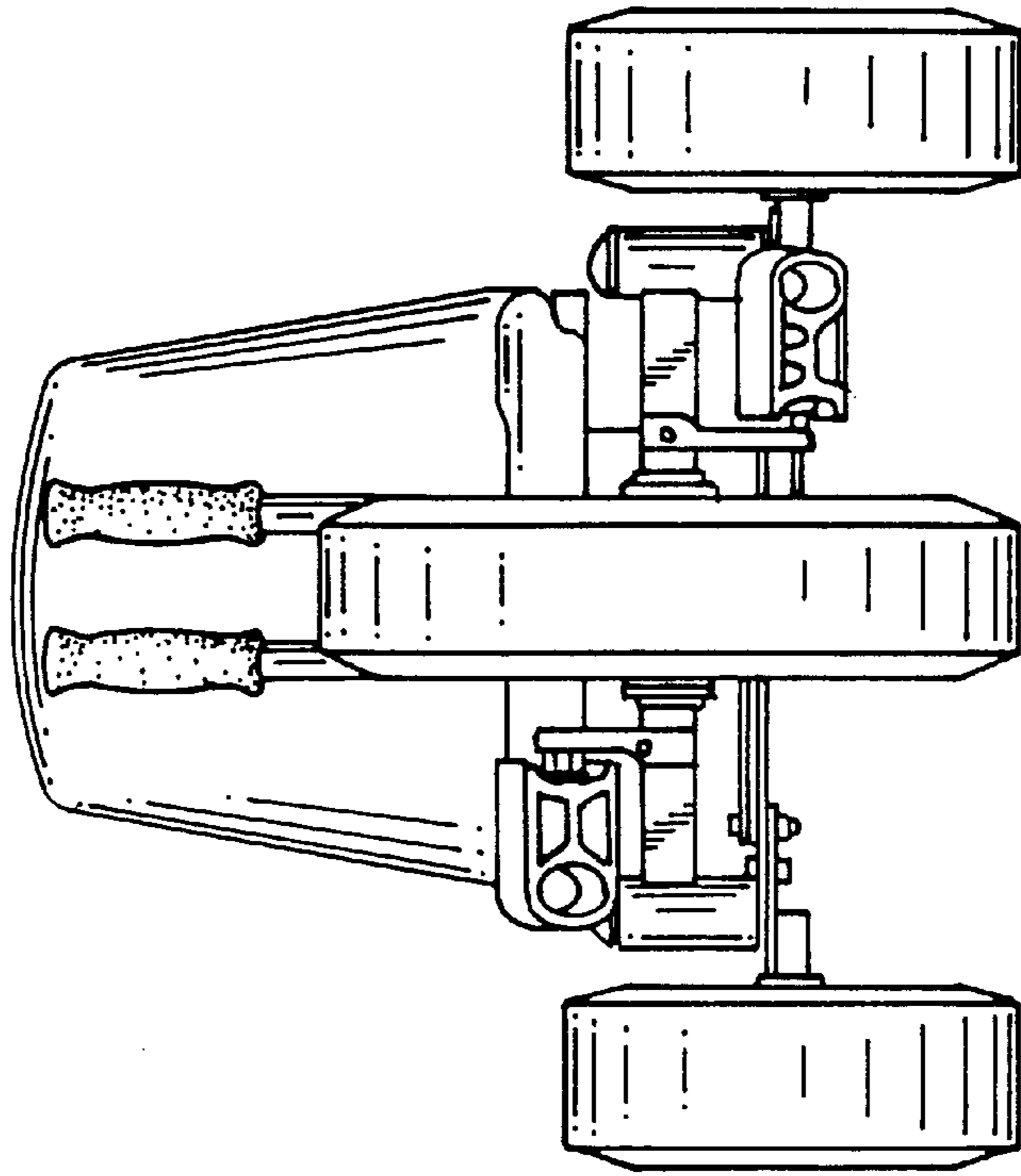


FIG. 3

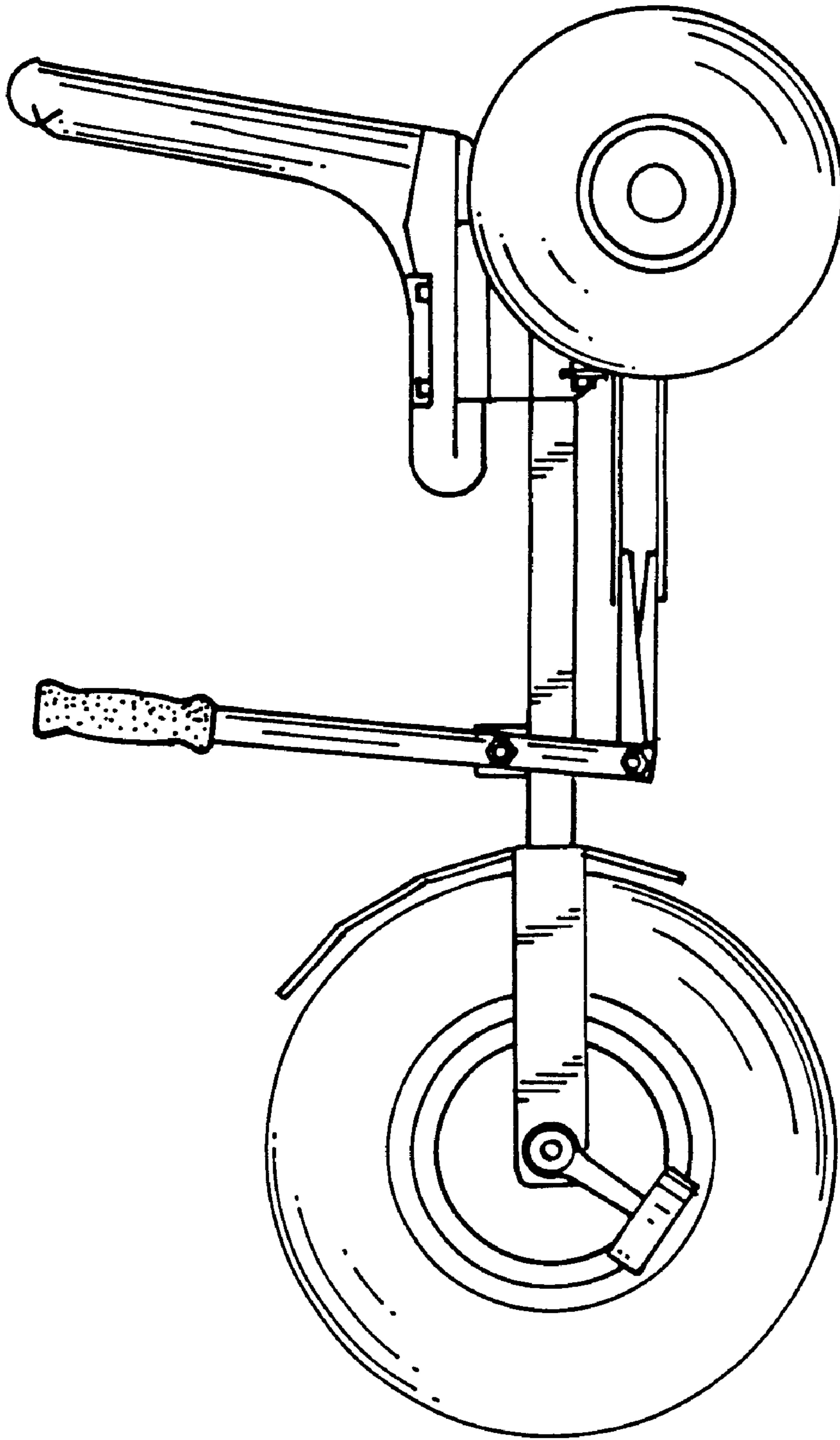


FIG. 4

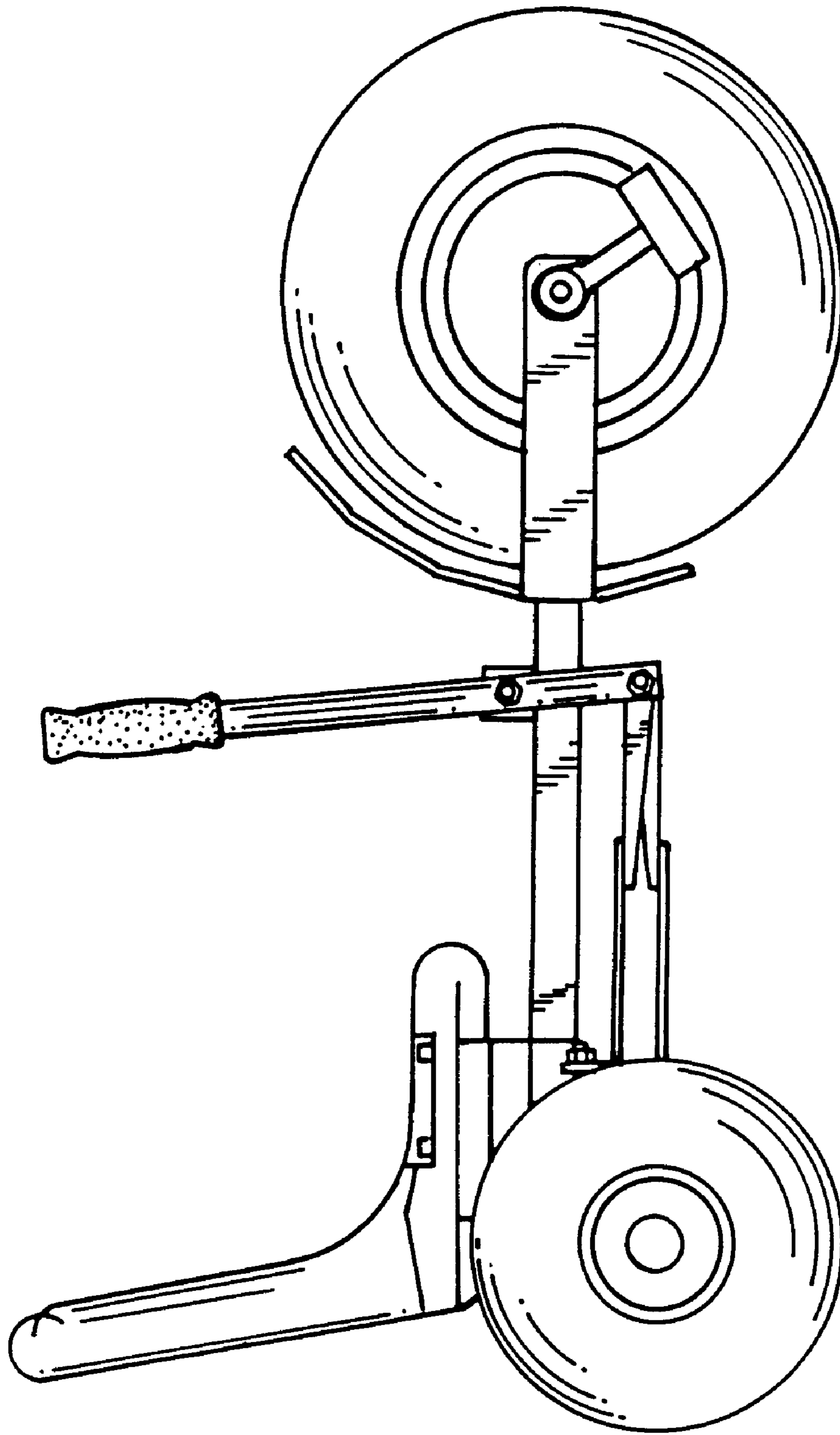


FIG. 5

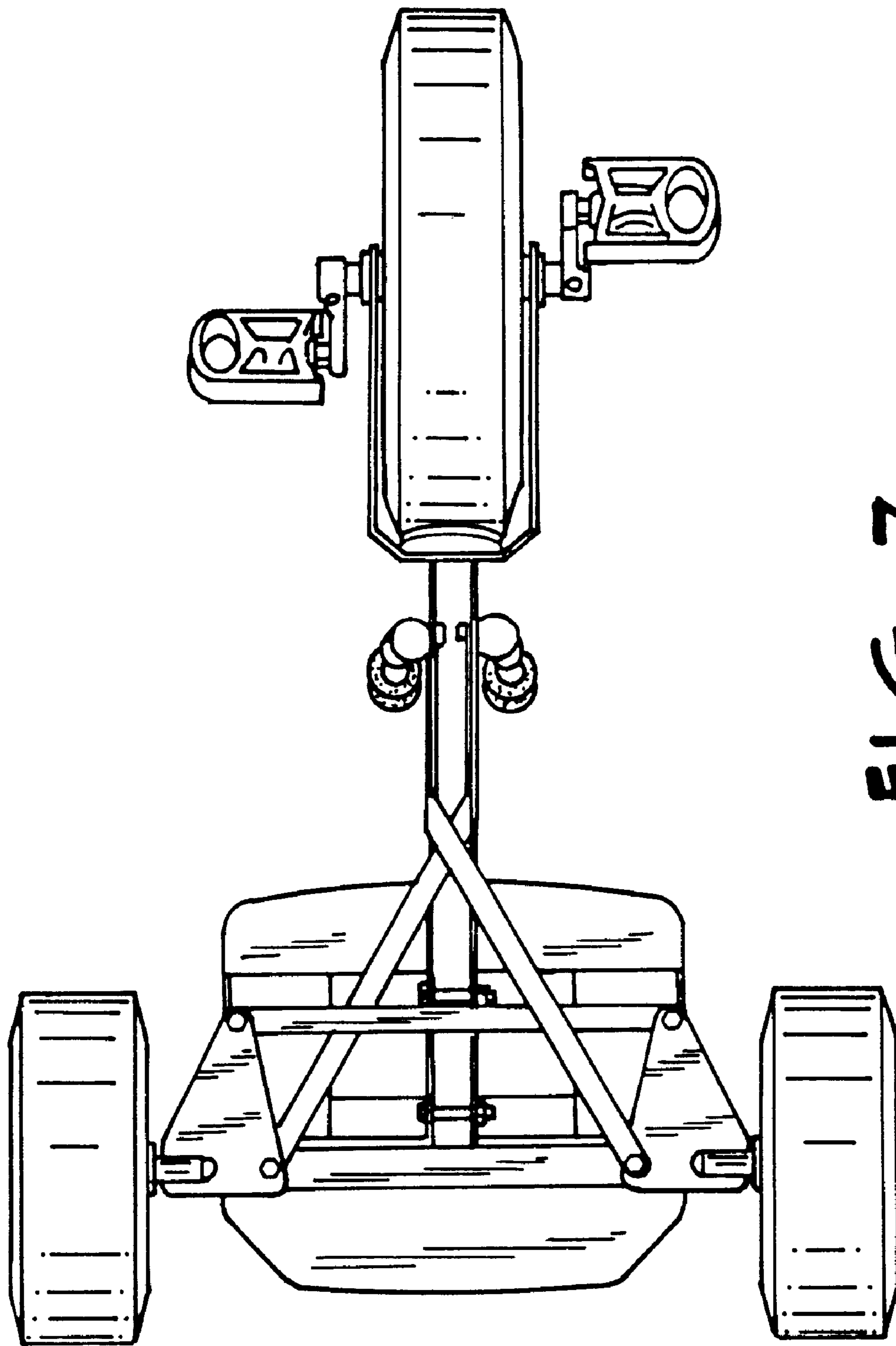


FIG. 7