

US00D460026S

(12) **United States Design Patent**
Lee

(10) **Patent No.:** **US D460,026 S**

(45) **Date of Patent:** **** Jul. 9, 2002**

(54) **BICYCLE FRAME**

(75) Inventor: **Tu-Kun Lee**, Chang Hwa Hsien (TW)

(73) Assignee: **Long Sheng International Co., Ltd.**
(TW)

(**) Term: **14 Years**

(21) Appl. No.: **29/145,825**

(22) Filed: **Jul. 30, 2001**

(51) **LOC (7) Cl.** **12-11**

(52) **U.S. Cl.** **D12/111**

(58) **Field of Search** **D12/111, 117;**
280/274-280, 281.1, 282-288, 288.1-288.3;
228/173.4

(56) **References Cited**

U.S. PATENT DOCUMENTS

D405,030 S * 2/1999 Frost et al. D12/111
D411,145 S * 6/1999 Shankin D12/111

* cited by examiner

Primary Examiner—Alan P. Douglas

Assistant Examiner—Linda Brooks

(74) *Attorney, Agent, or Firm*—Jackson Walker L.L.P.

(57) **CLAIM**

The ornamental design for a bicycle frame, as shown and described.

DESCRIPTION

FIG. 1 is a perspective view of a bicycle frame showing my new design;

FIG. 2 is an enlarged front elevational view thereof;

FIG. 3 is an enlarged rear elevational view thereof;

FIG. 4 is an enlarged left side view thereof;

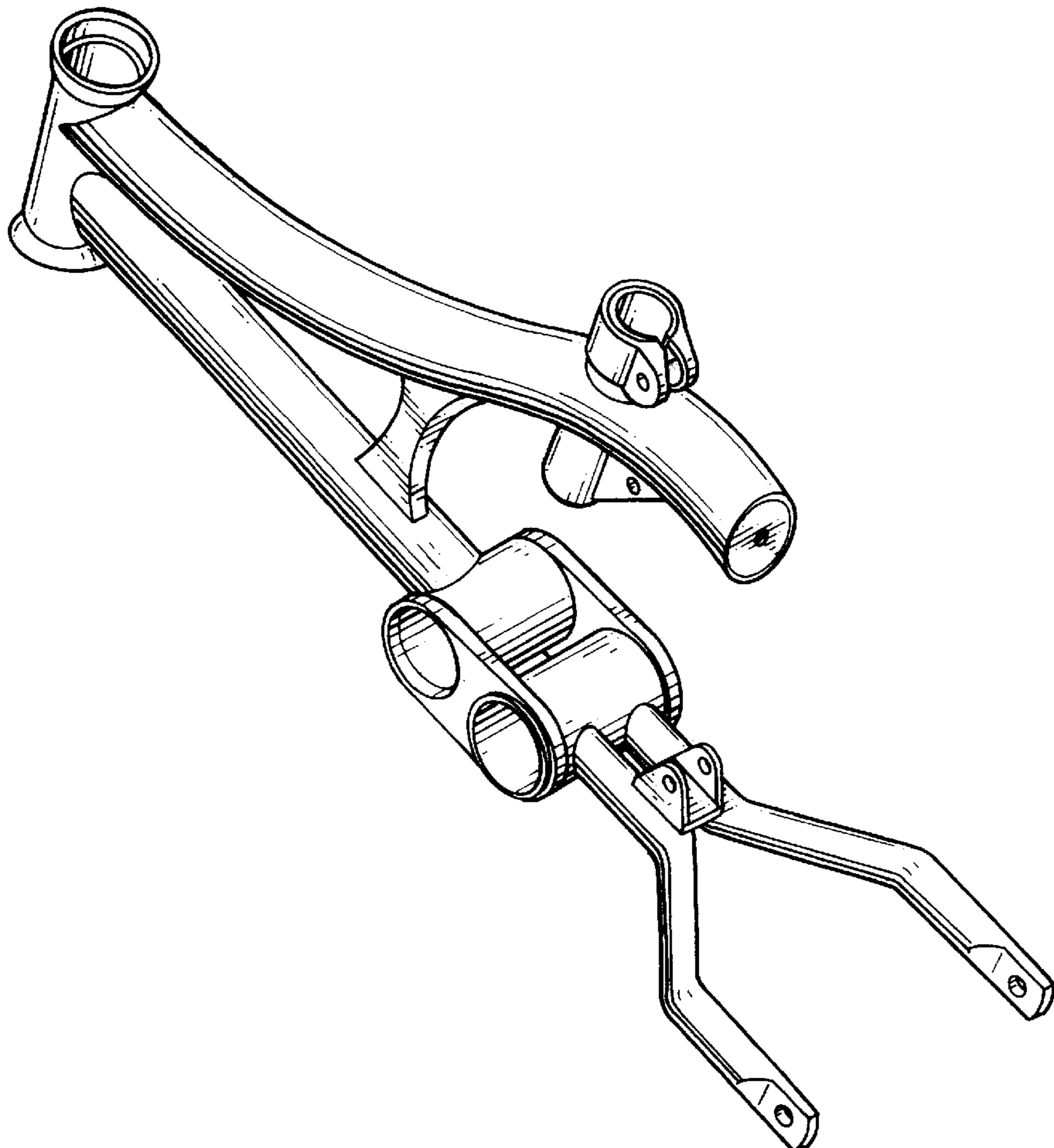
FIG. 5 is an enlarged right side view thereof;

FIG. 6 is an enlarged top plain view thereof;

FIG. 7 is an enlarged bottom plain view thereof; and,

FIG. 8 is a view showing the application thereof, wherein the broken line portion is for illustrative purpose only and forms no part of the claimed design.

1 Claim, 7 Drawing Sheets



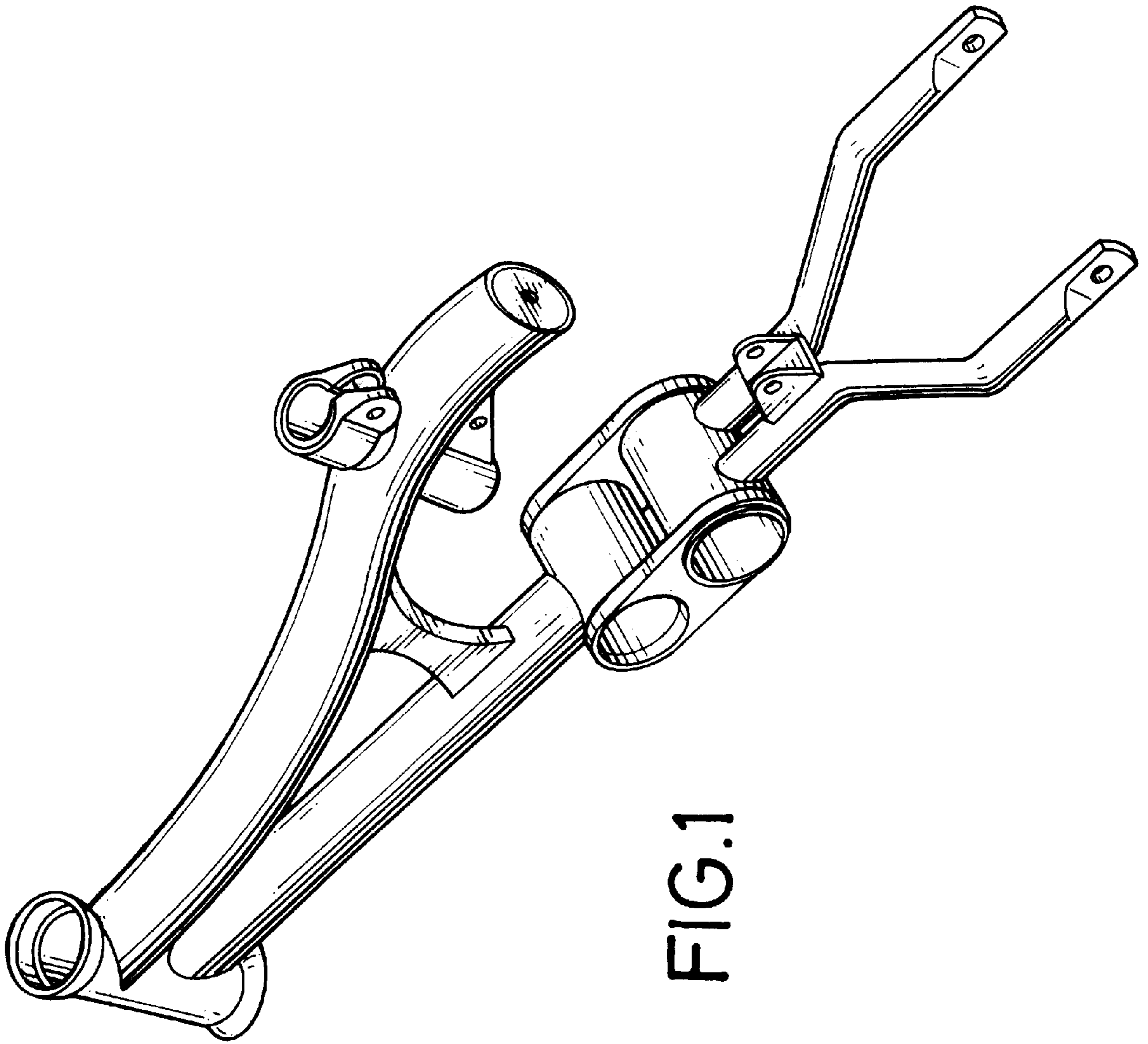


FIG.1

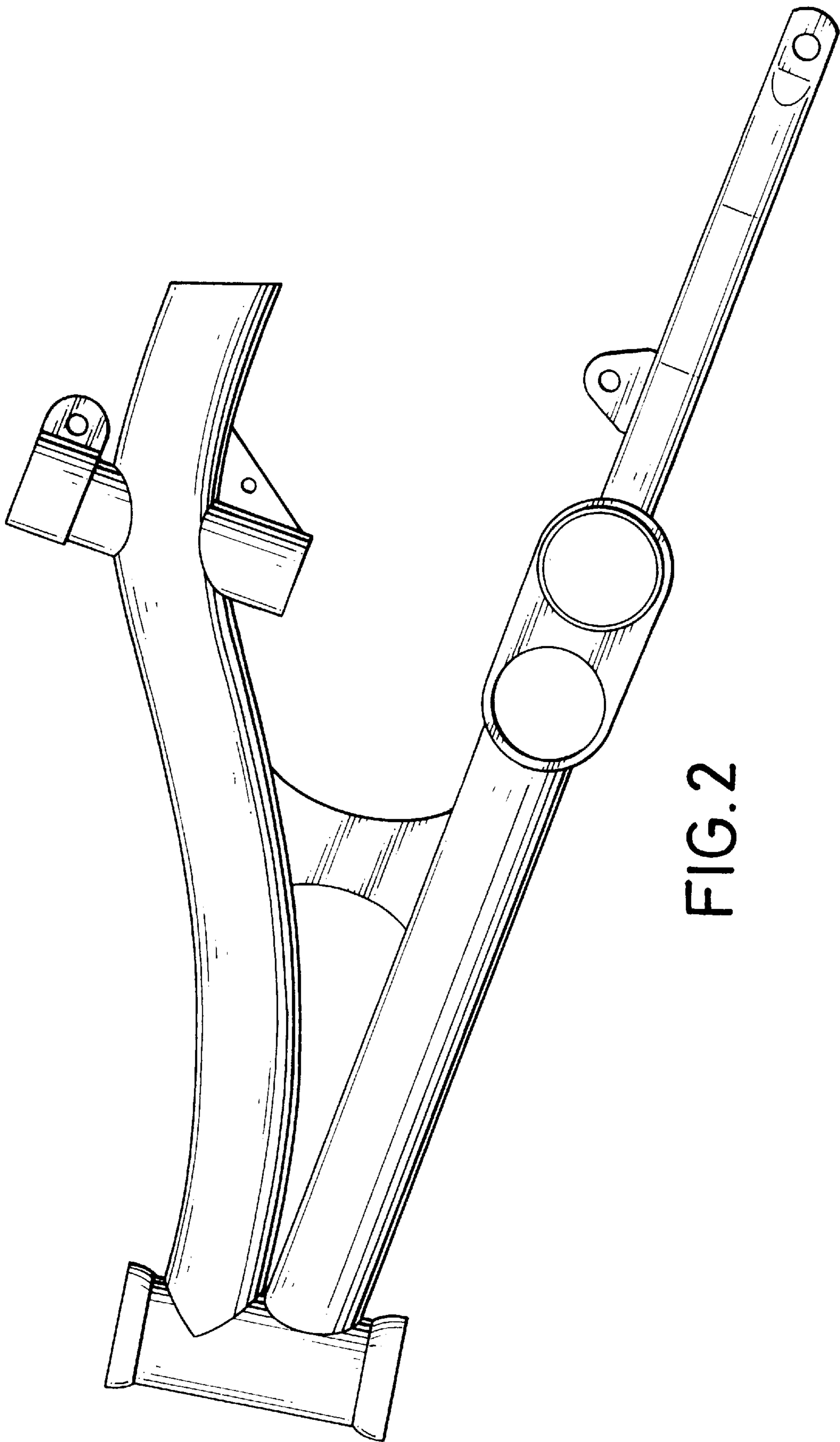


FIG. 2

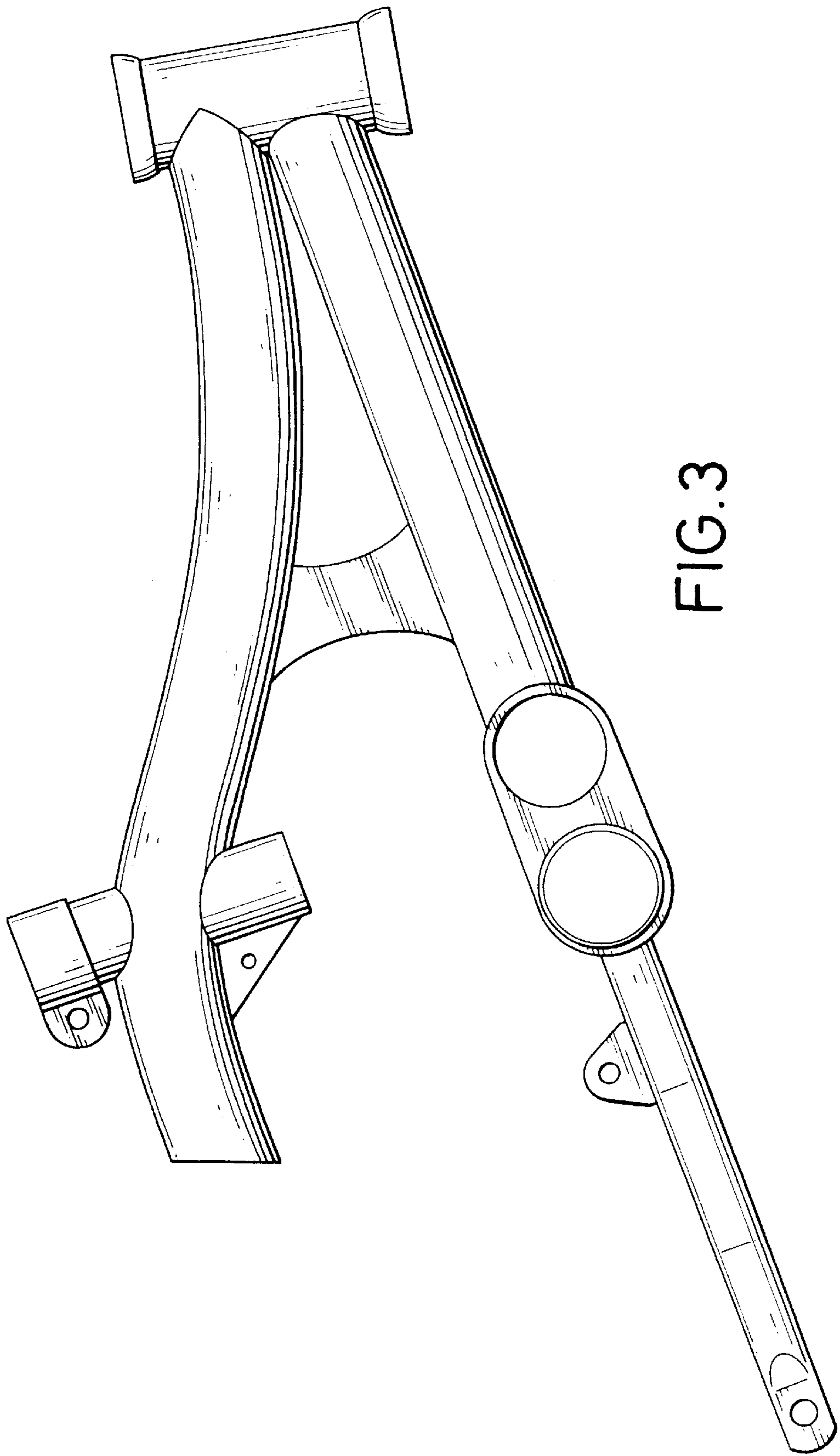


FIG. 3

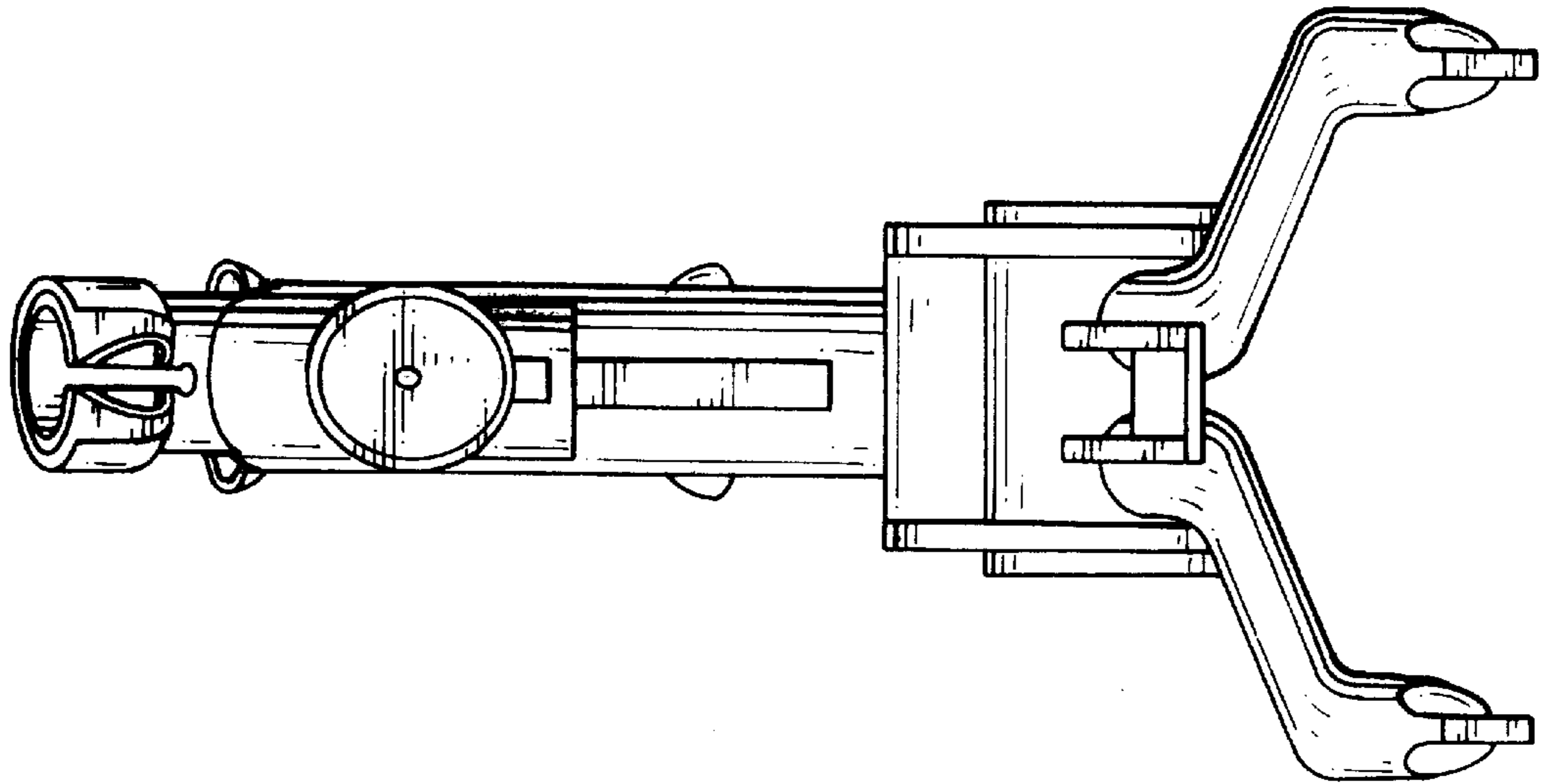


FIG. 5

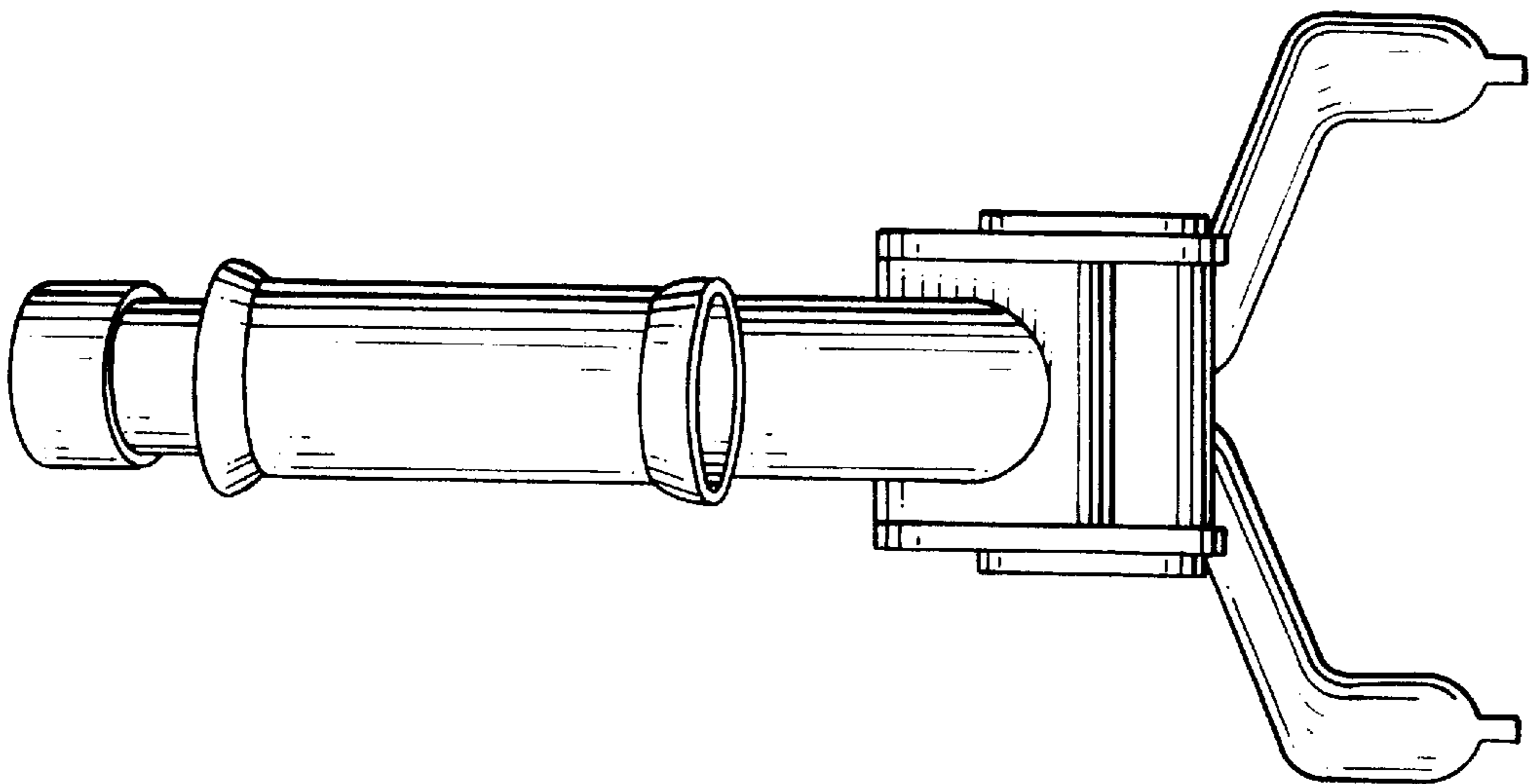


FIG. 4

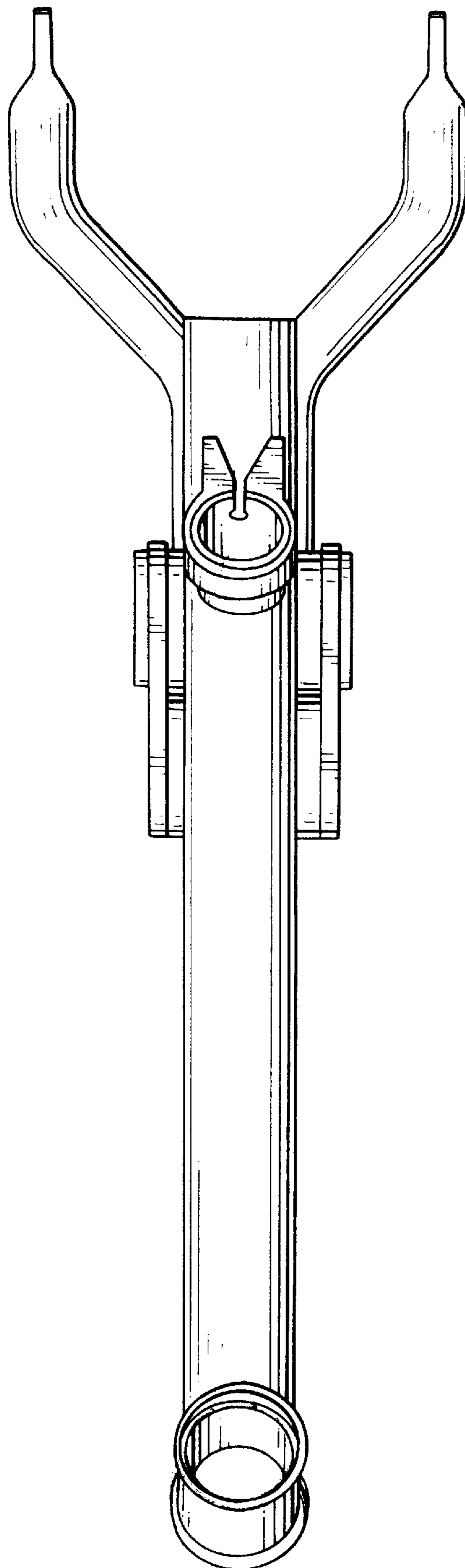


FIG.6

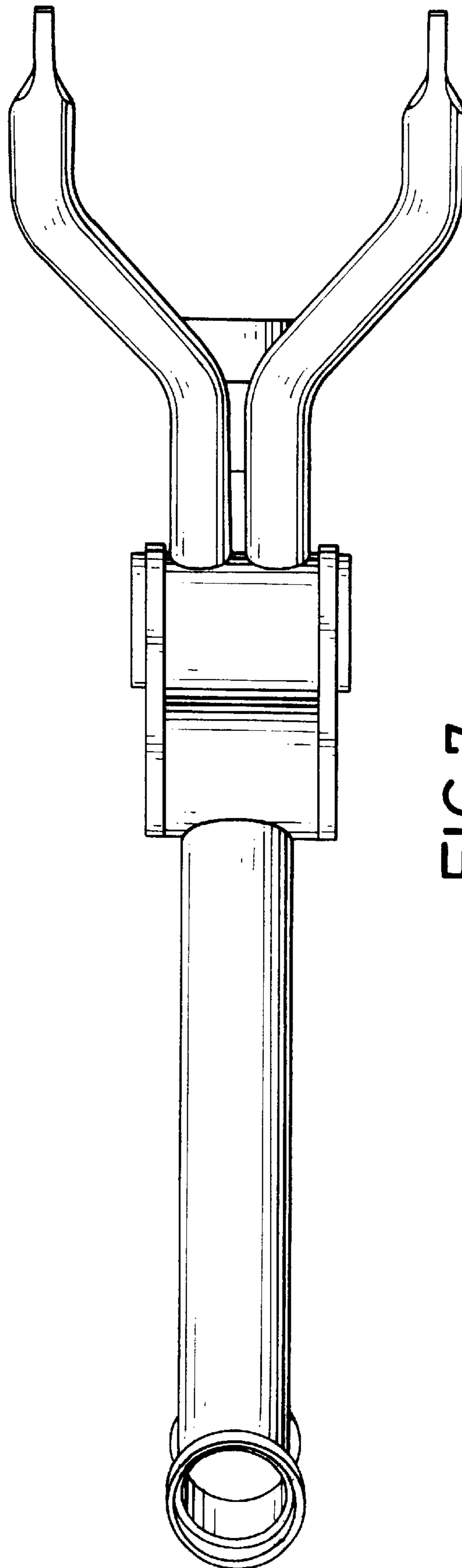


FIG.7

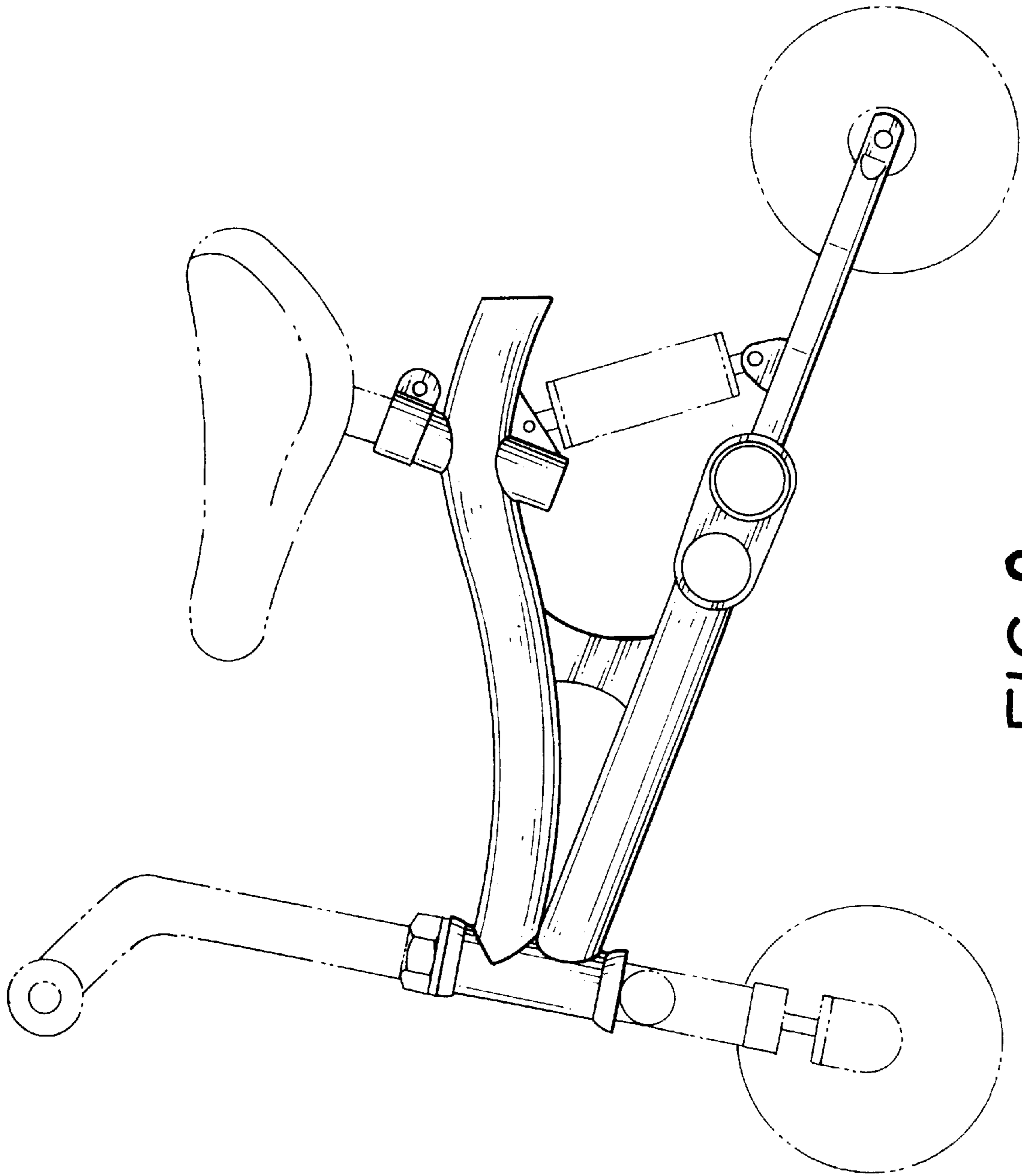


FIG. 8