



US00D460025S

(12) **United States Design Patent**
Yu et al.

(10) **Patent No.:** **US D460,025 S**

(45) **Date of Patent:** **** Jul. 9, 2002**

(54) **MINI BICYCLE**

D368,054 S * 3/1996 Behrens et al. D12/118
D450,015 S * 11/2001 Lai D12/111

(76) Inventors: **Chih-Wang Yu; Chih-Yung Yu**, both
of No. 1-2, Kang Ho Lane, Hsin Hsing
Tsun, Da Tsun Hsiang, Changhwa Hsien
(TW)

* cited by examiner

Primary Examiner—Alan P. Douglas

Assistant Examiner—Linda Brooks

(74) *Attorney, Agent, or Firm*—Varndell & Varndell, PLLC

(**) Term: **14 Years**

(57) **CLAIM**

(21) Appl. No.: **29/140,540**

The ornamental design for a mini bicycle, as shown and
described.

(22) Filed: **Apr. 20, 2001**

(51) **LOC (7) Cl.** **12-11**

DESCRIPTION

(52) **U.S. Cl.** **D12/111**

FIG. 1 is a perspective view of a mini bicycle showing our
new design;

(58) **Field of Search** D12/110, 111,
D12/118; 280/274–280, 281.1, 282–288,
288.1–288.3

FIG. 2 is a front elevational view thereof;

FIG. 3 is a rear elevational view thereof;

FIG. 4 is a top plan view thereof;

FIG. 5 is a bottom plan view thereof;

FIG. 6 is a right side elevational view thereof; and,

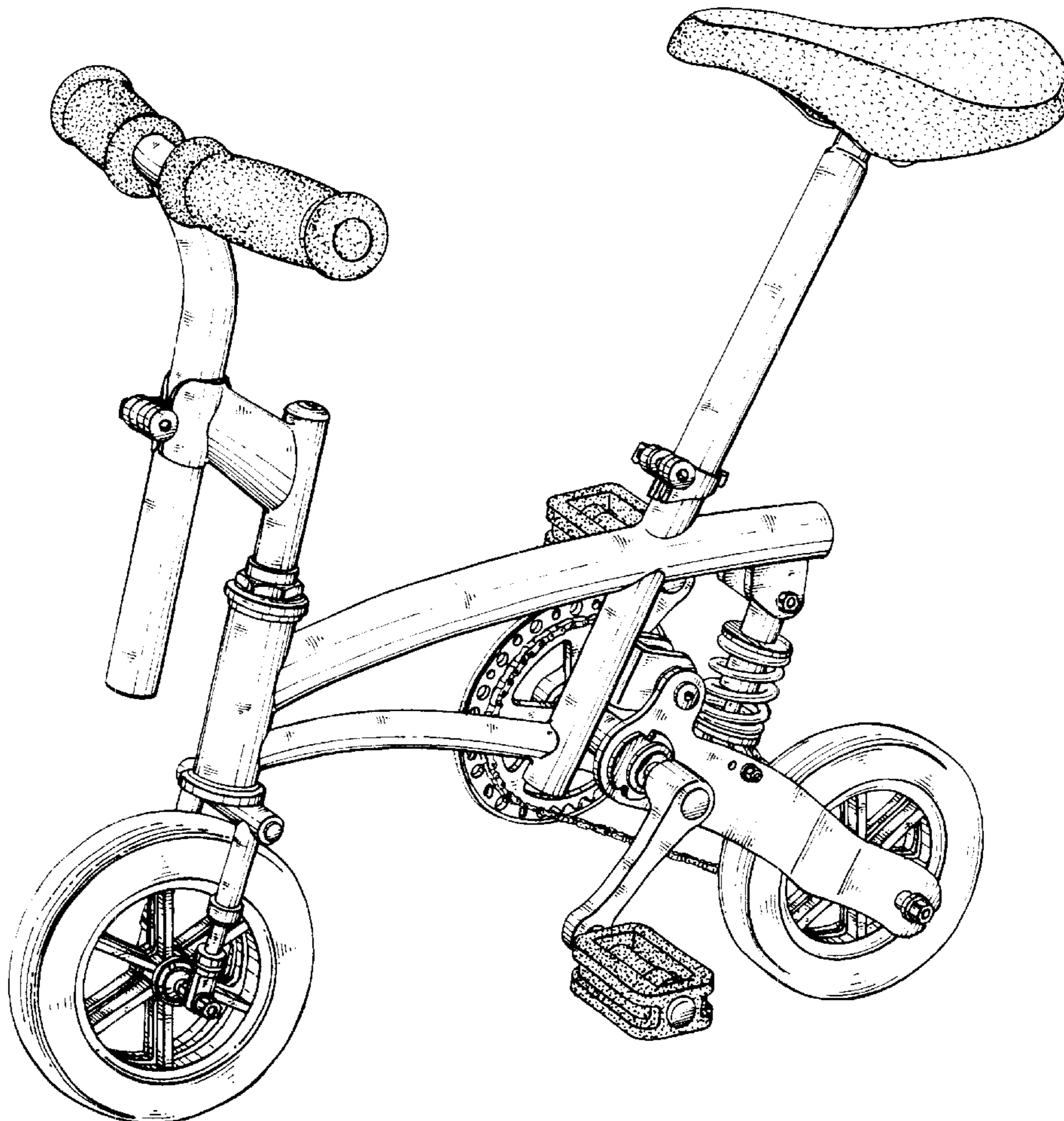
FIG. 7 is a left side elevational view thereof.

(56) **References Cited**

U.S. PATENT DOCUMENTS

D73,049 S * 7/1927 Roe D12/111
D283,606 S * 4/1986 Moulton D12/111
D306,841 S * 3/1990 Hellestam et al. D12/111

1 Claim, 7 Drawing Sheets



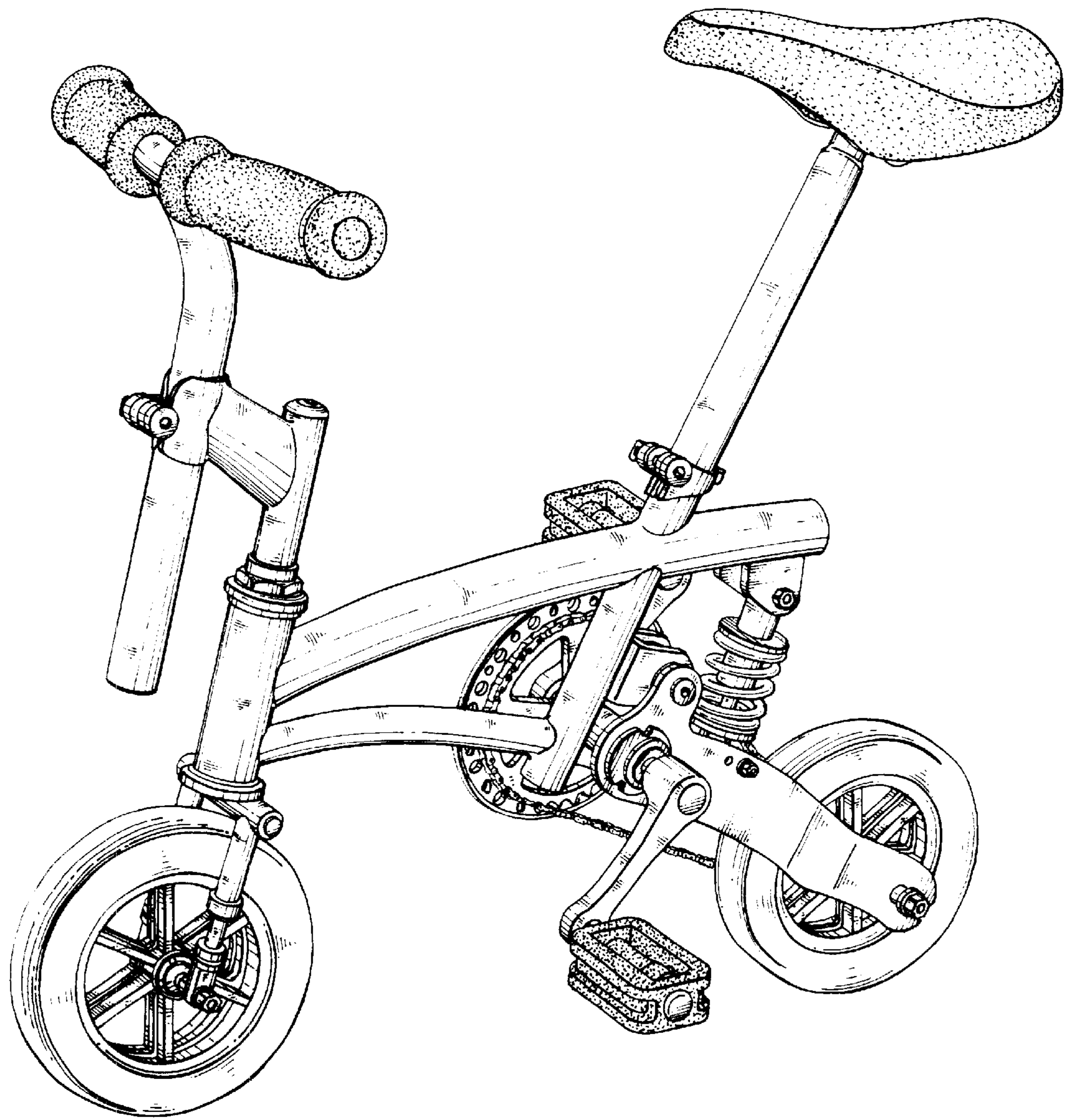


Fig . 1

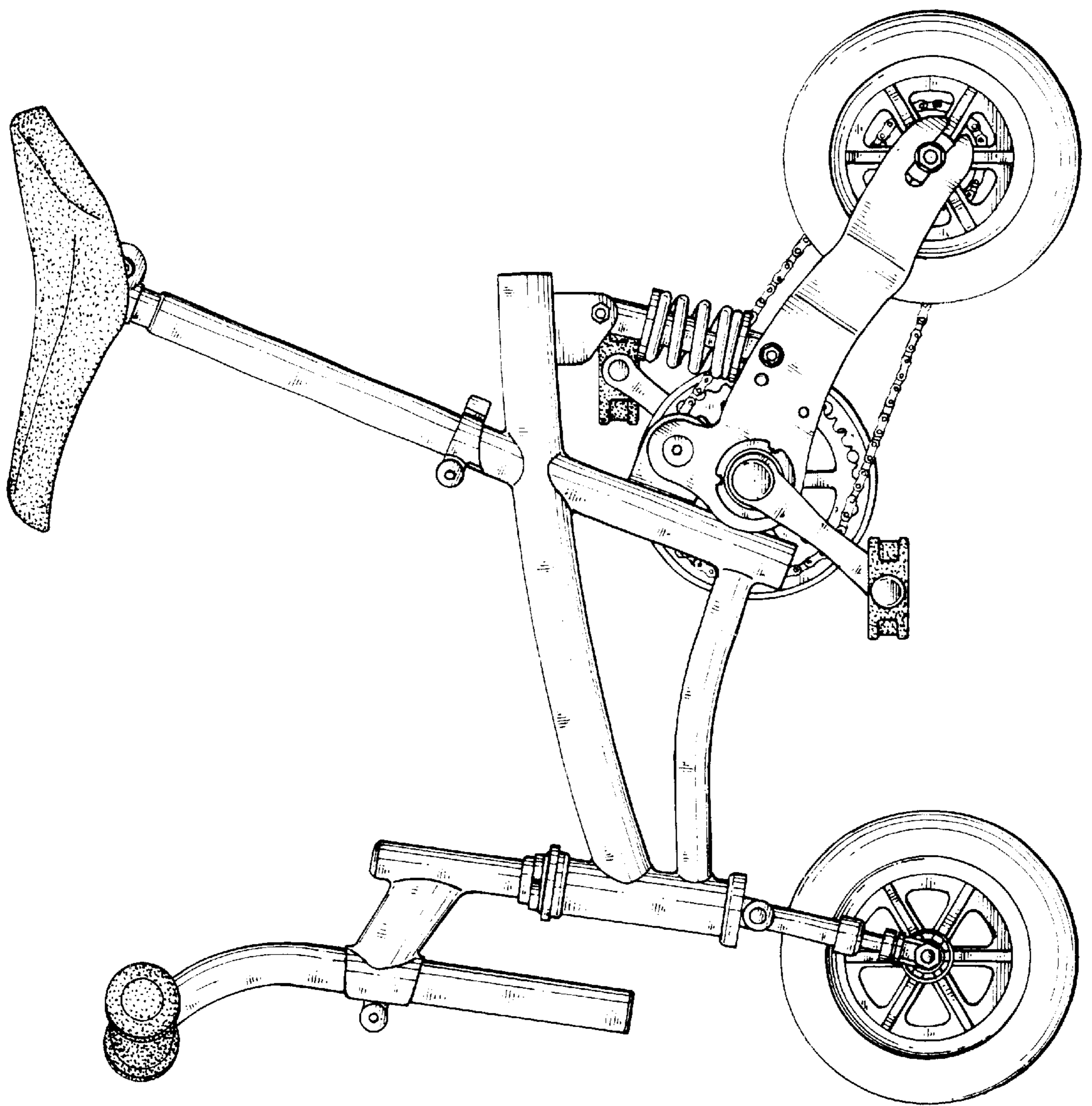


Fig. 2

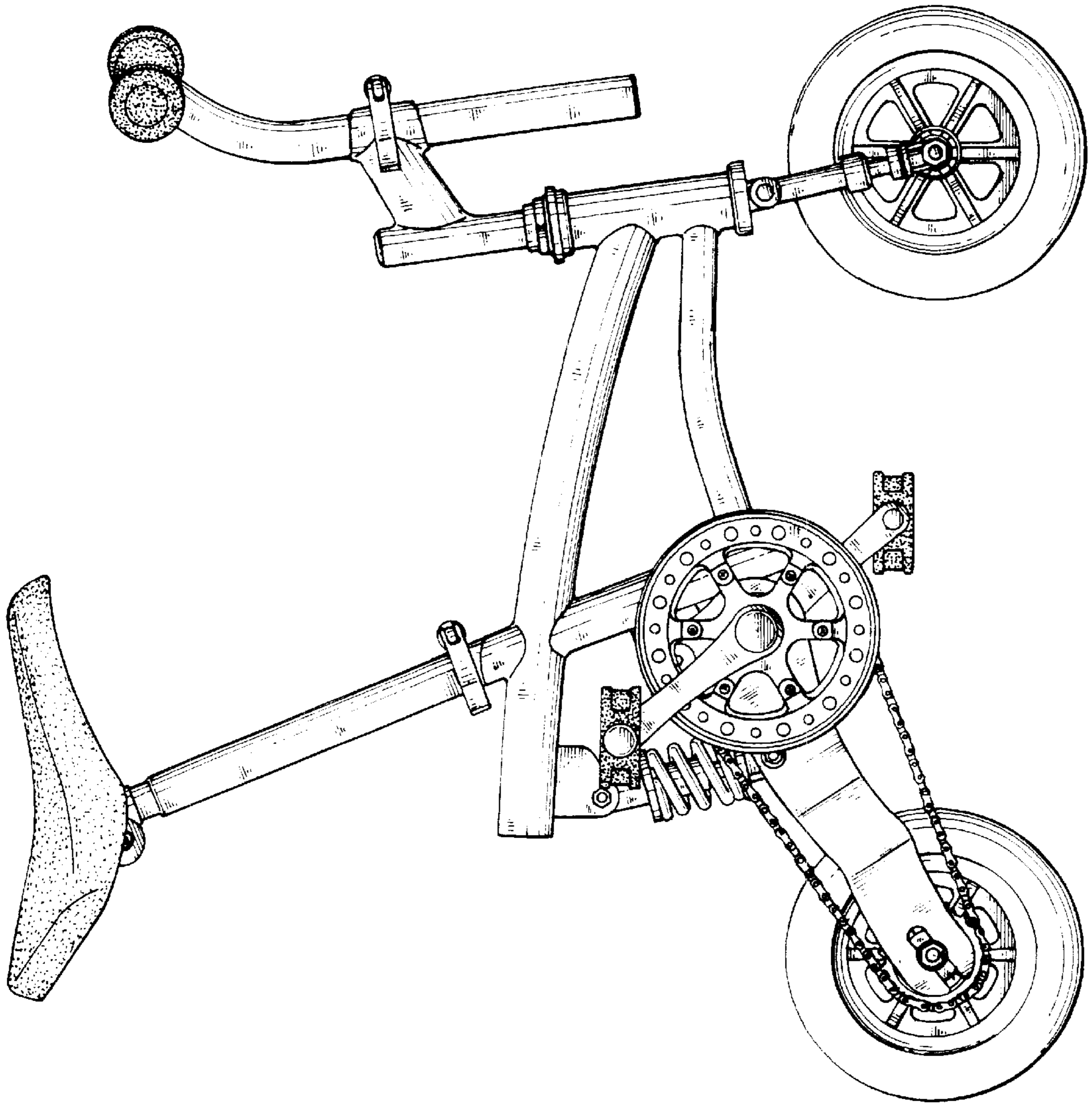


Fig. 3

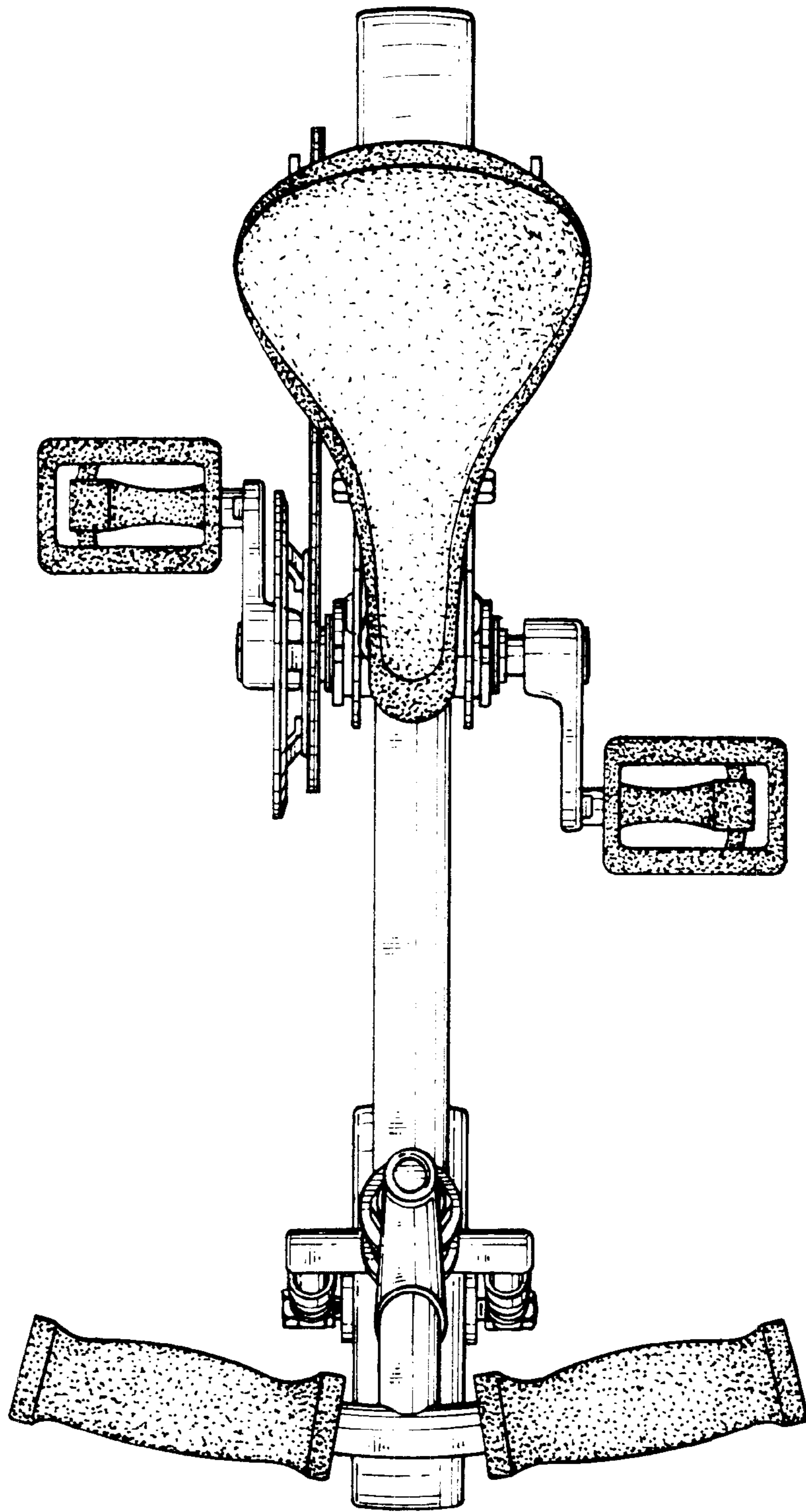


Fig . 4

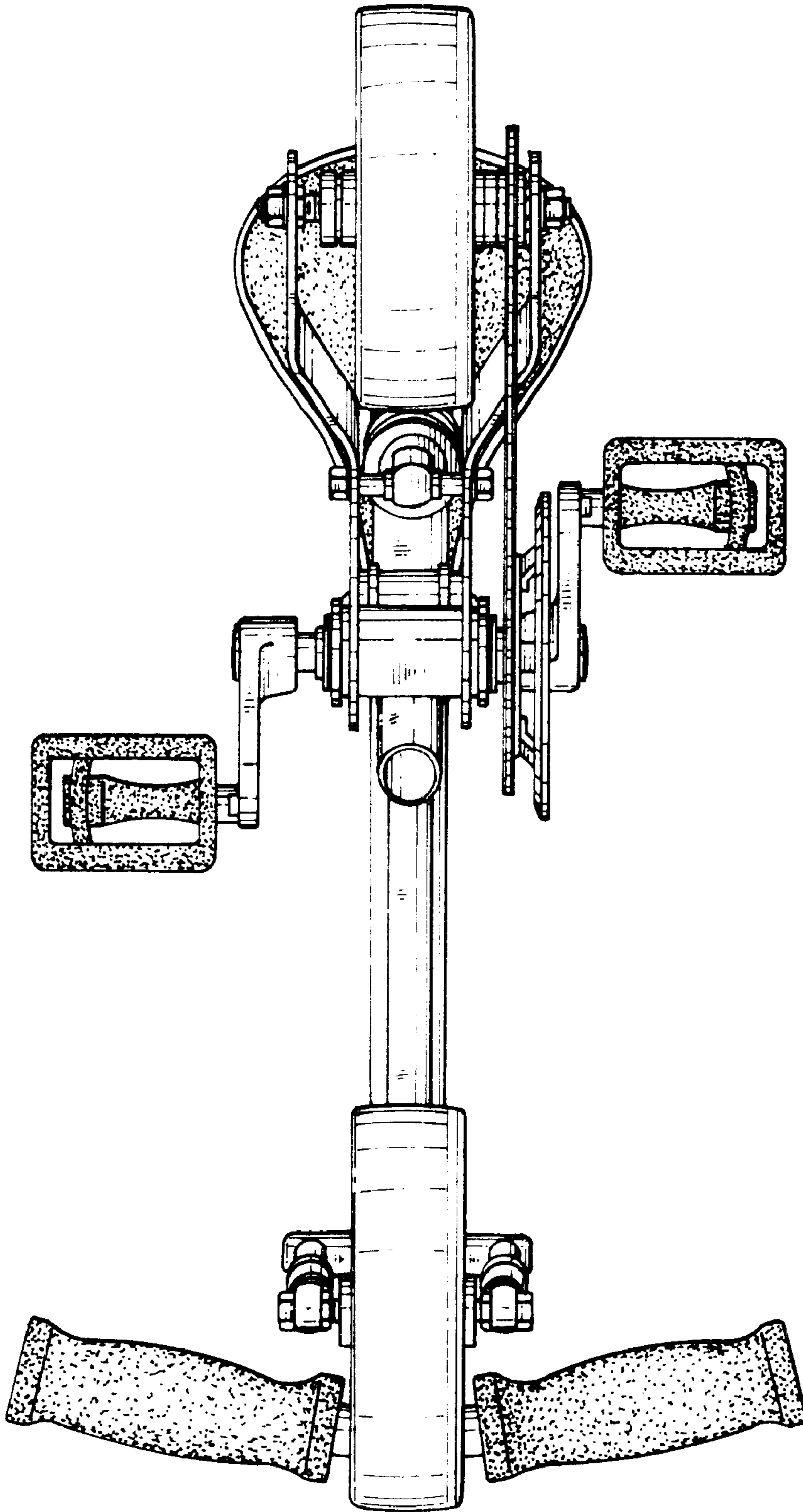


Fig. 5

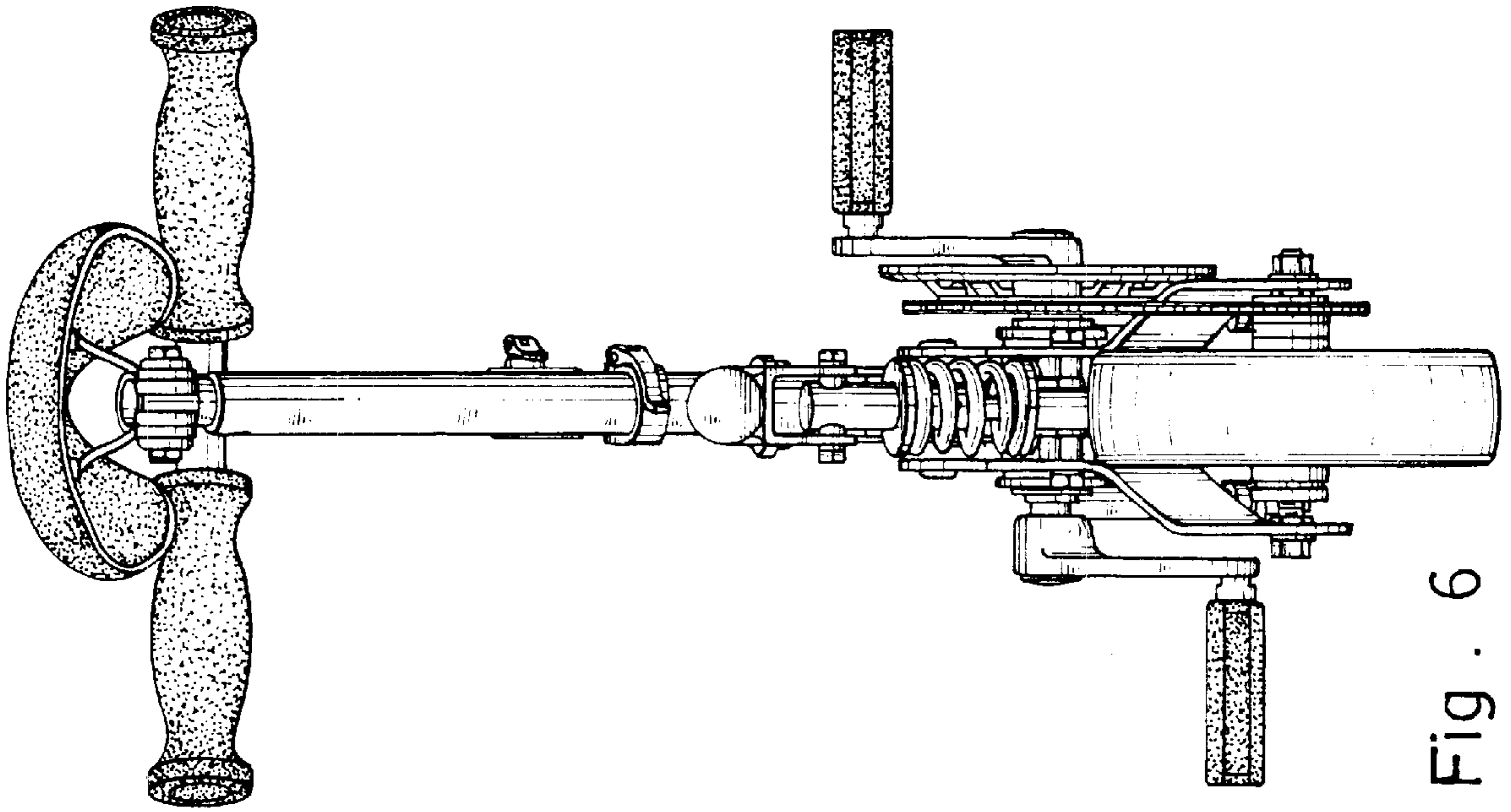


Fig. 6

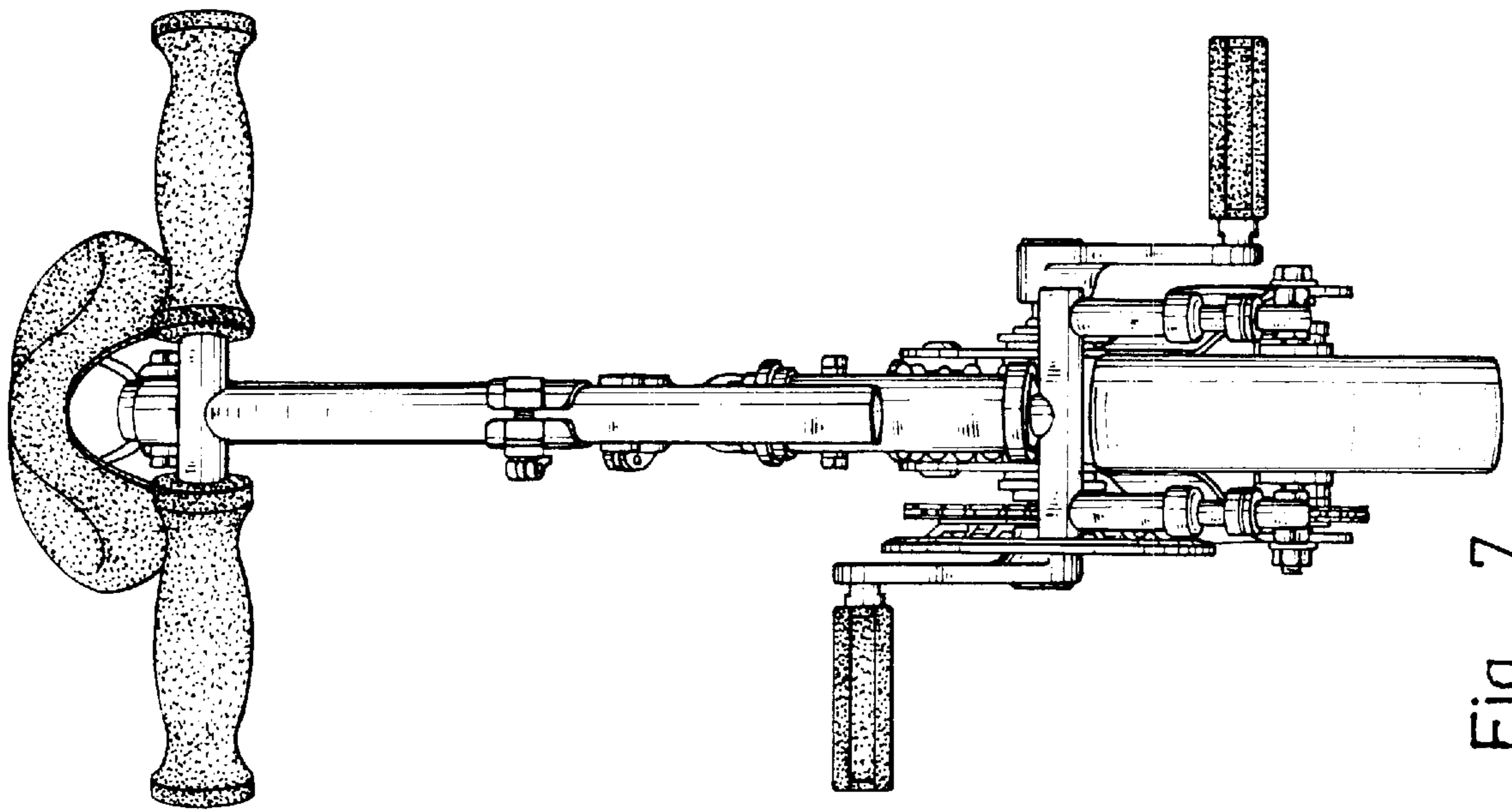


Fig. 7