

US00D460011S

(12) **United States Design Patent**
Rashed

(10) **Patent No.:** **US D460,011 S**

(45) **Date of Patent:** **** Jul. 9, 2002**

(54) **COMBINED GAS CAP AND OCTANE READING DEVICE**

Primary Examiner—Antoine Duval Davis

(76) **Inventor:** **Leon H Rashed**, 2010 Murphy Dr., San Pablo, CA (US) 94806

(57) **CLAIM**

The ornamental design for a combined gas cap and octane reading device, as shown and described.

(**) **Term:** **14 Years**

DESCRIPTION

(21) **Appl. No.:** **29/149,266**

FIG. 1 is a front elevational view of the combined gas cap and octane reading device of the present invention;

(22) **Filed:** **Oct. 5, 2001**

FIG. 2 is a rear elevational view of the combined gas cap and octane reading device of FIG. 1;

(51) **LOC (7) Cl.** **10-04**

(52) **U.S. Cl.** **D10/96; D10/103**

(58) **Field of Search** **D10/96, 97, 108; D12/197; 220/288–304, DIG. 33; 73/40, 40.7, 49.8, 52**

FIG. 3 is a left side elevational view of the combined gas cap and octane reading device of FIG. 1;

FIG. 4 is a right side elevational view of the combined gas cap and octane reading device of FIG. 1;

(56) **References Cited**

U.S. PATENT DOCUMENTS

D191,039 S	*	8/1961	Johnson	D12/197
D269,425 S		6/1983	Whitaker		
4,821,697 A		4/1989	McDougal		
5,585,550 A		12/1996	Frank		
5,606,130 A		2/1997	Sinha et al.		
5,921,263 A		7/1999	Negley		
6,112,134 A		8/2000	Terranova et al.		
D453,011 S	*	1/2002	Canady	D12/197

FIG. 5 is a top plan view of the combined gas cap and octane reading device of FIG. 1;

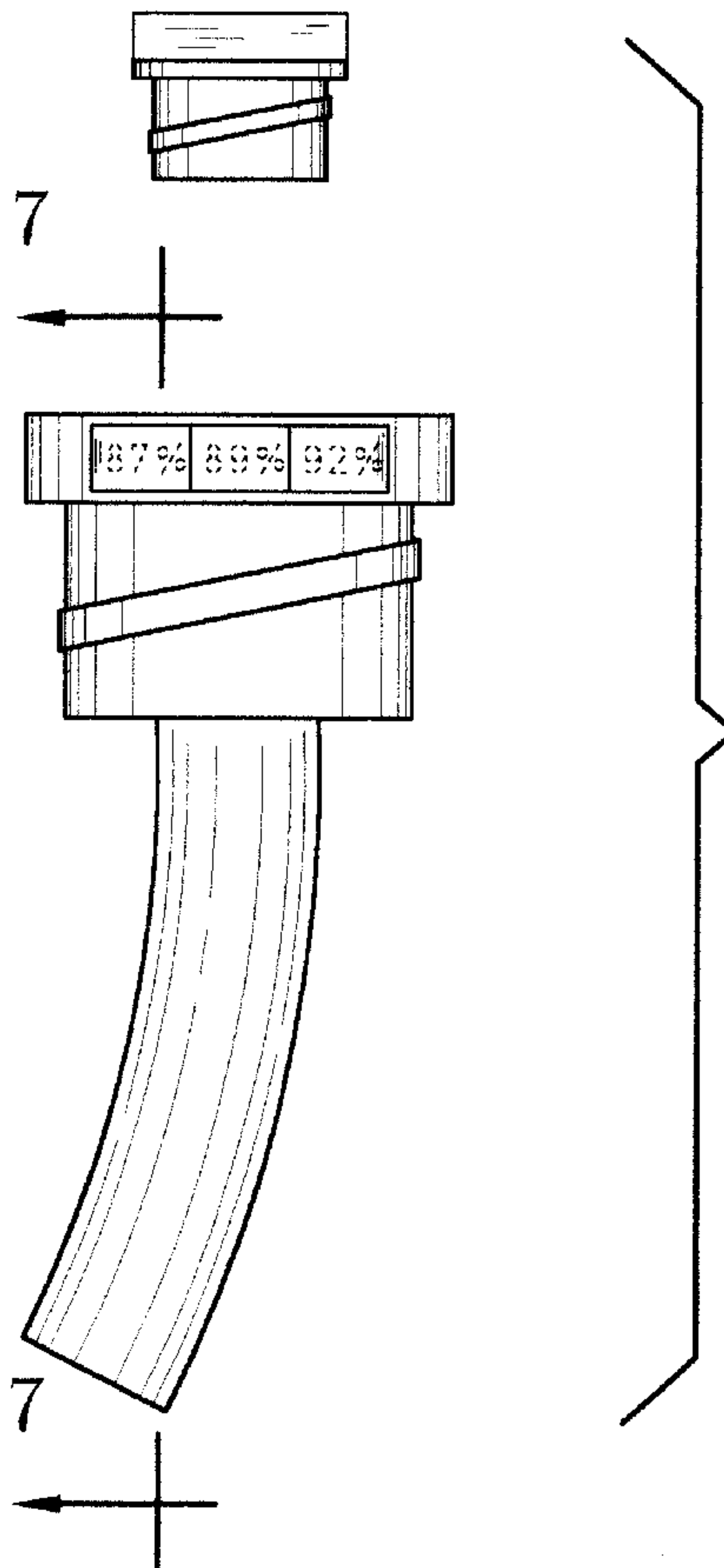
FIG. 6 is a bottom plan view of the combined gas cap and octane reading device of FIG. 1; and,

FIG. 7 is a cross-sectional view of part of FIG. 1 taken along line 7—7.

The broken lines showing of numbers and “%” in FIGS. 1, 3 and 4 are for illustrative purposes only and form no part of the claimed design.

* cited by examiner

1 Claim, 4 Drawing Sheets



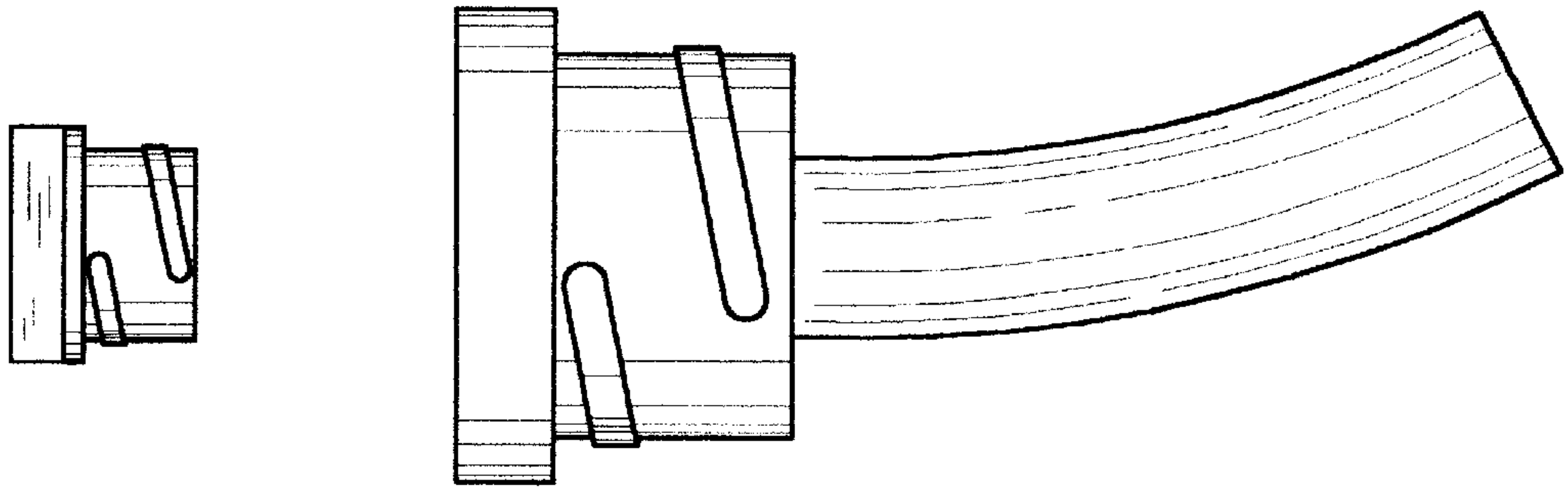


FIG. 2

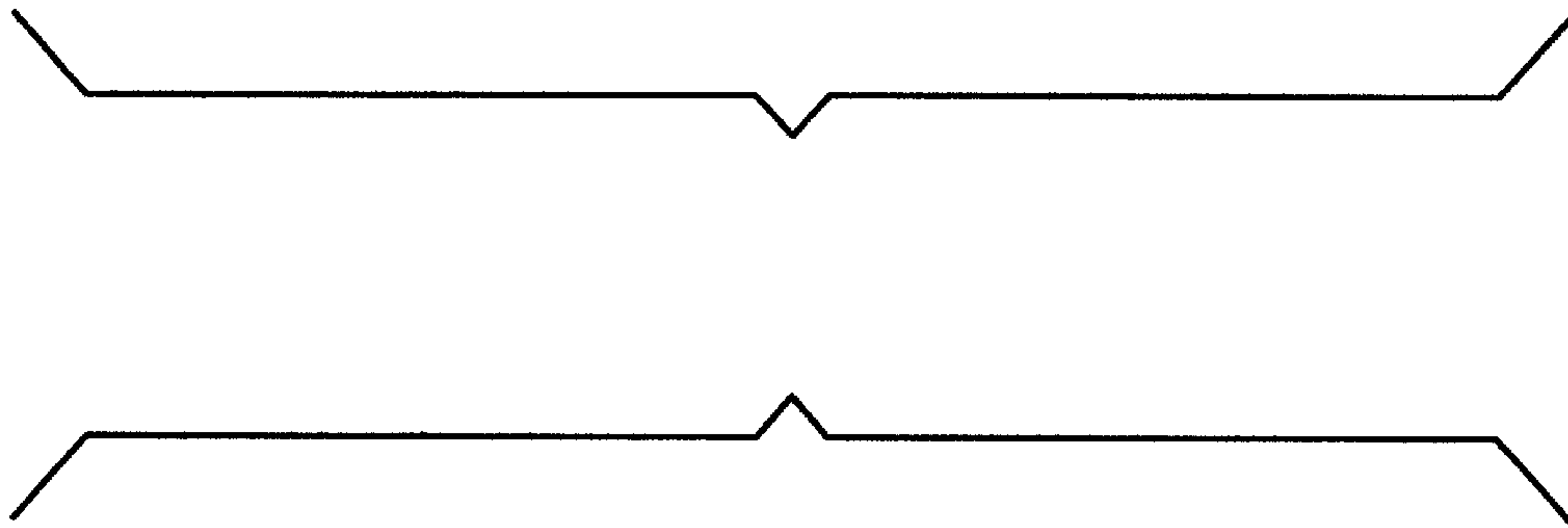
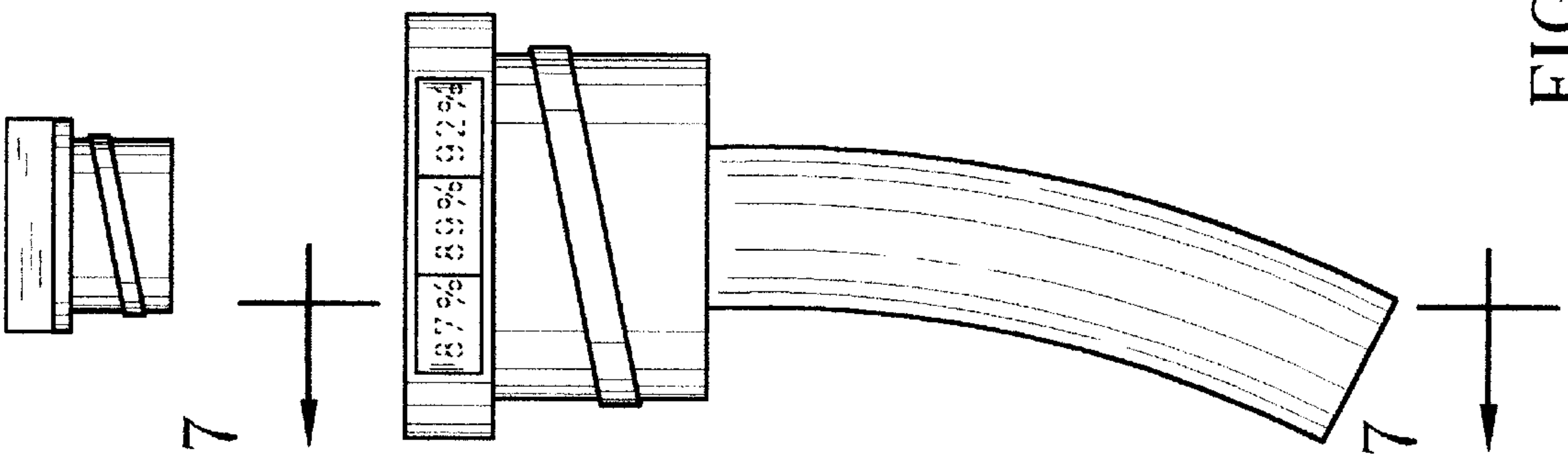


FIG. 1



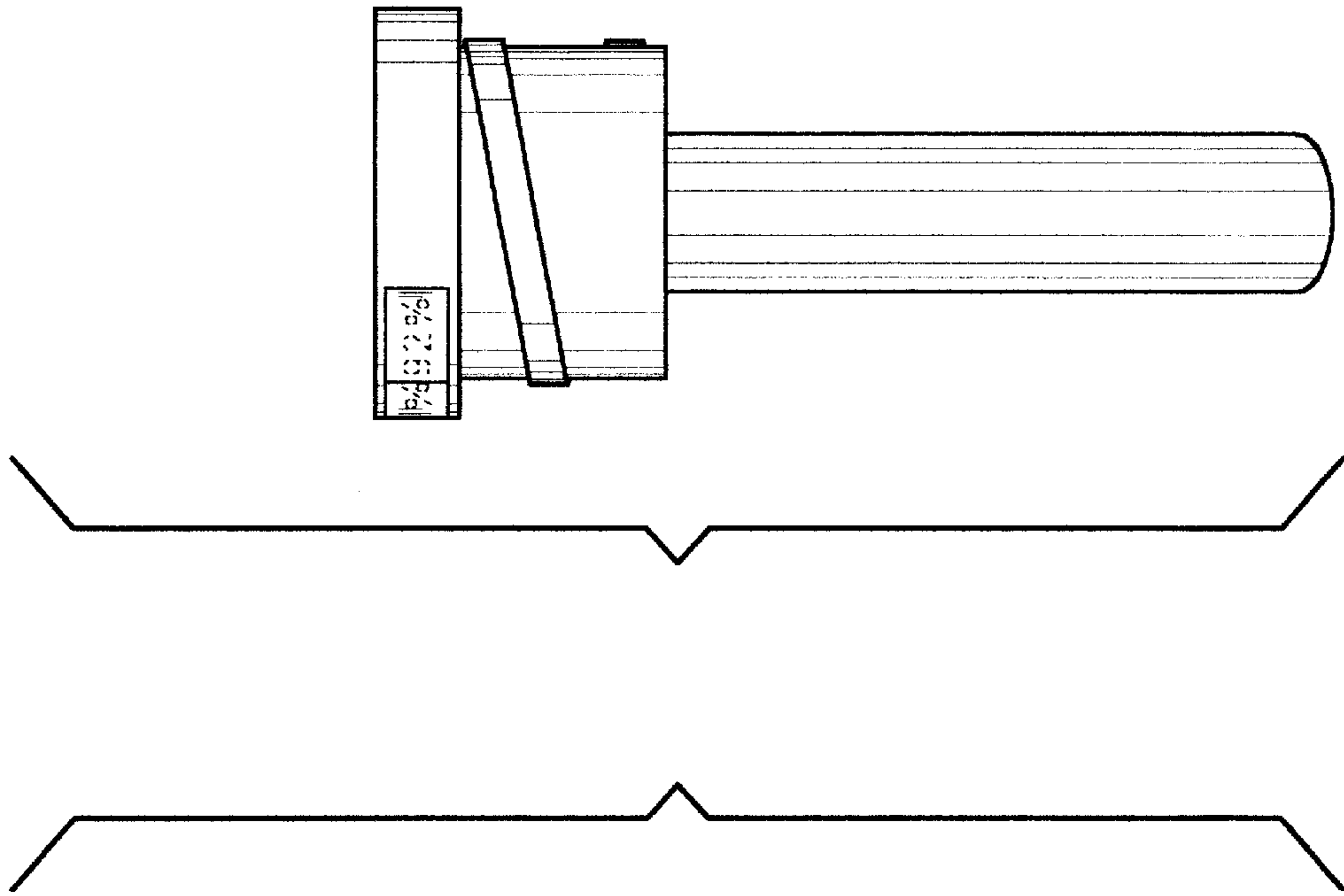
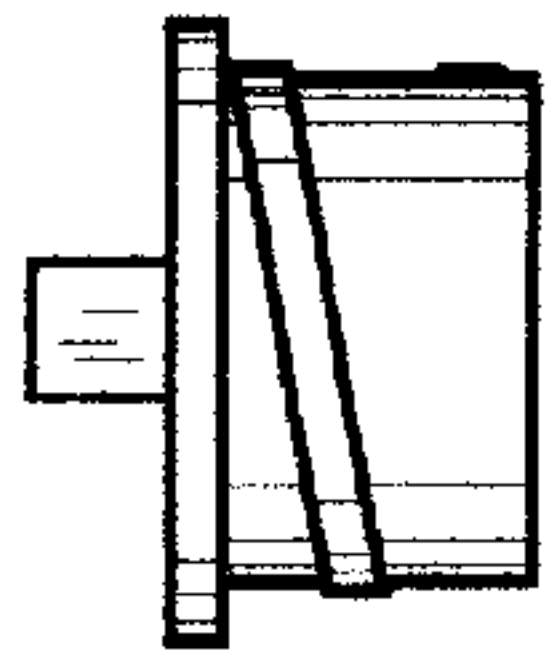


FIG. 4

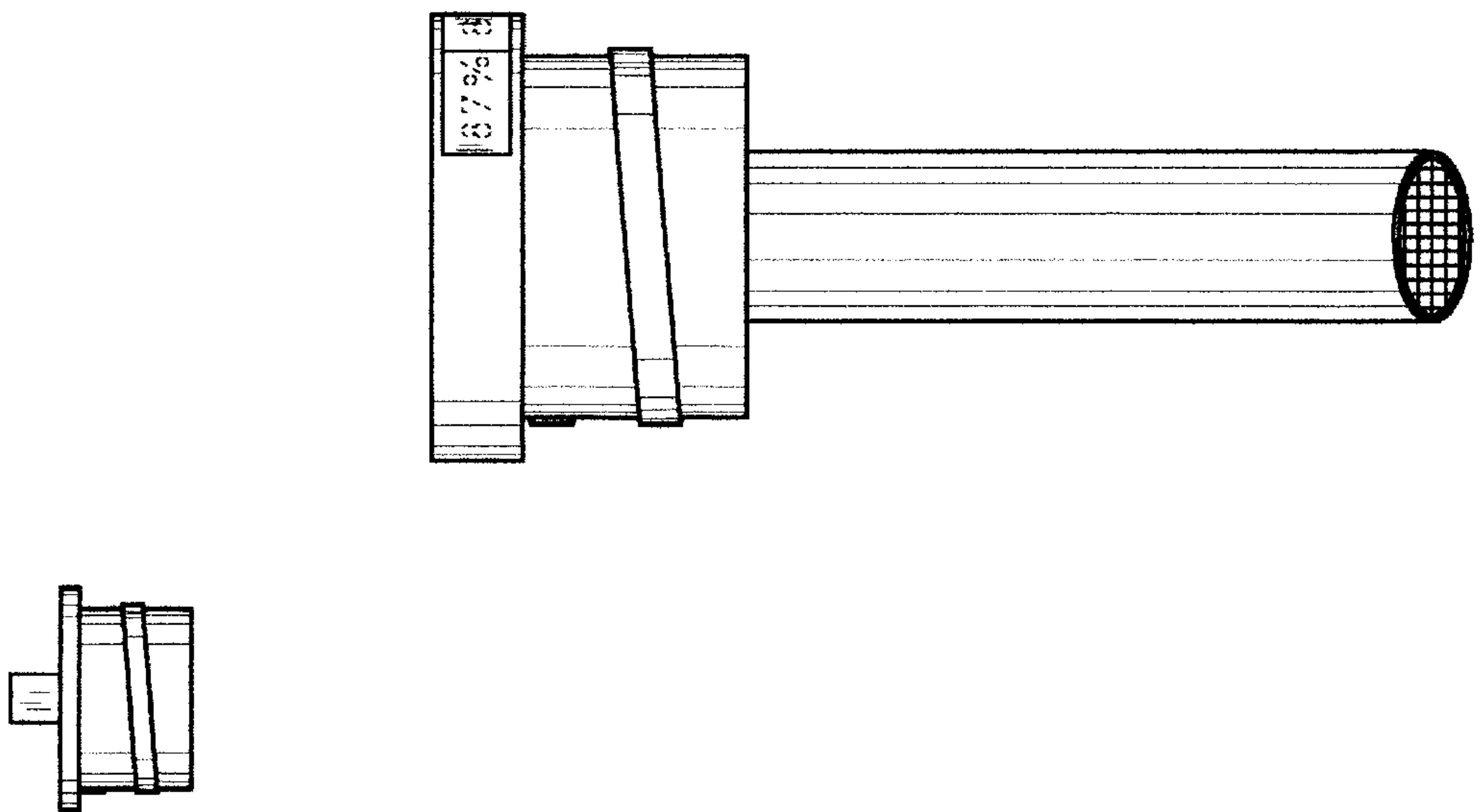


FIG. 3

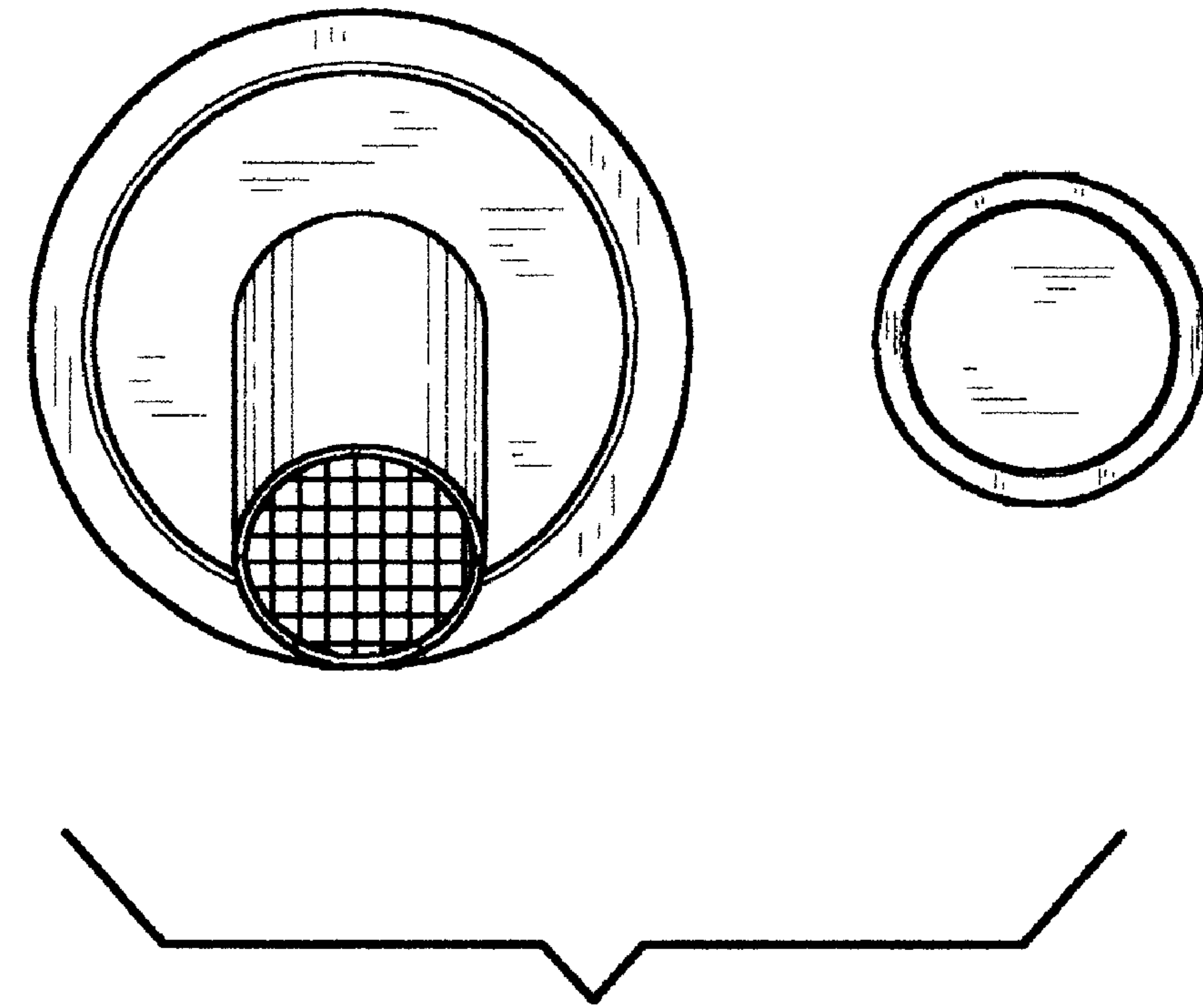


FIG. 5

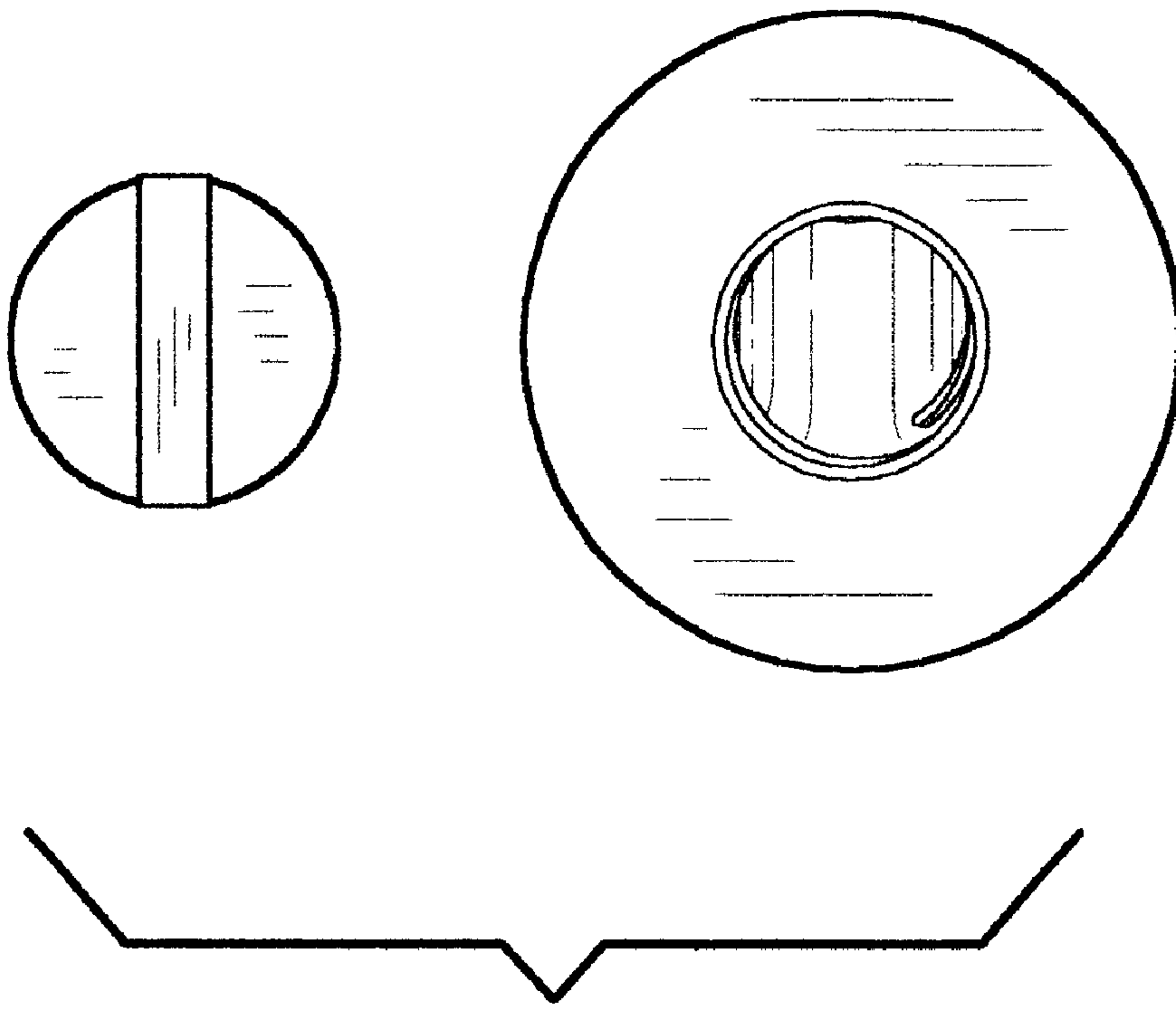


FIG. 6

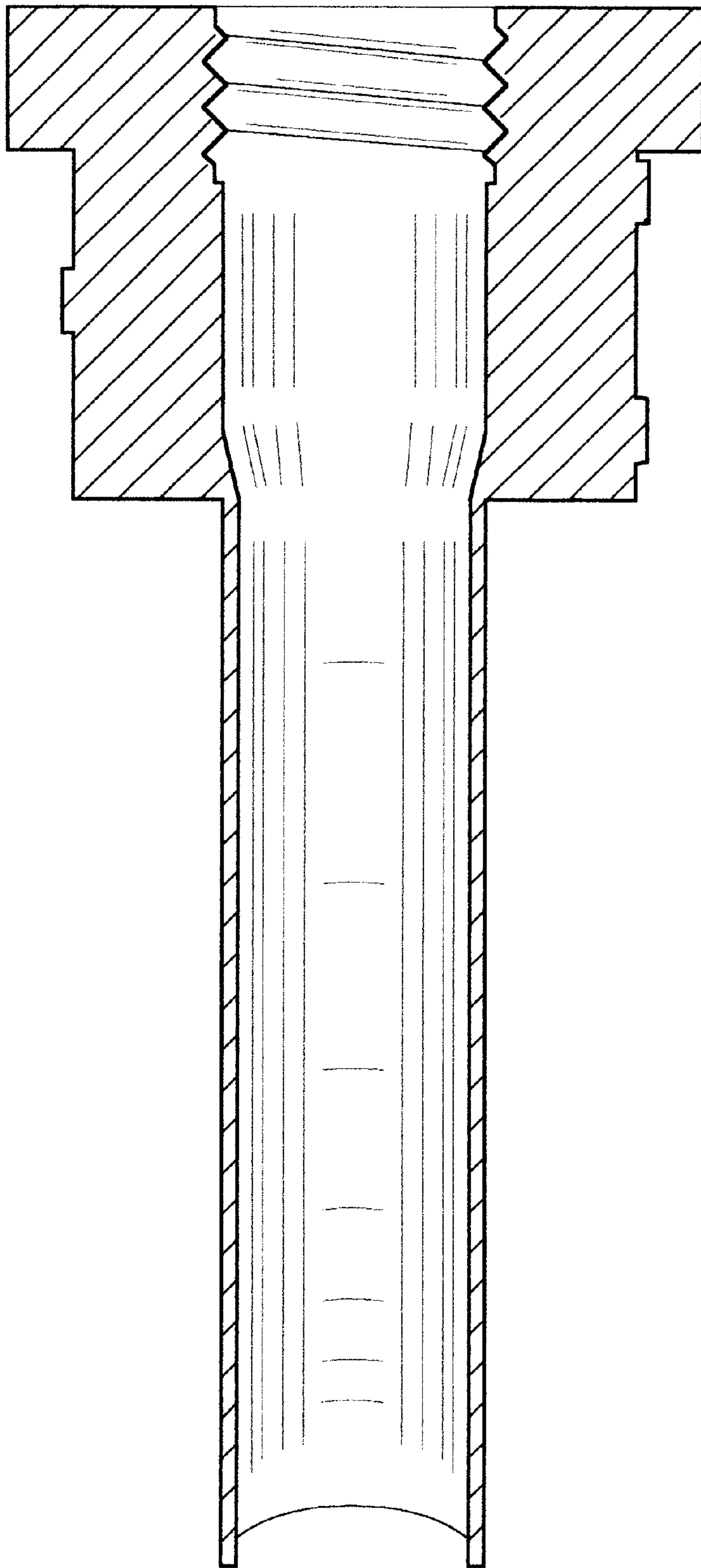


FIG. 7