



US00D460008S

(12) **United States Design Patent**
Cina

(10) **Patent No.:** **US D460,008 S**

(45) **Date of Patent:** **** Jul. 9, 2002**

(54) **PENTA SQUARE TOOL**

5,778,547 A * 7/1998 Wolken 33/427

(75) Inventor: **Yaron Cina**, Moshav Sharona (IL)

* cited by examiner

(73) Assignee: **Kapro Industries Ltd.**, M.P. Bikat Beit Hakerem (IL)

Primary Examiner—Antoine Duval Davis

(74) *Attorney, Agent, or Firm*—Nixon & Vanderhye

(**) Term: **14 Years**

(57) **CLAIM**

The ornamental design for a penta square tool, as shown and described.

(21) Appl. No.: **29/146,444**

(22) Filed: **Aug. 10, 2001**

DESCRIPTION

(51) **LOC (7) Cl.** **10-04**

FIG. 1 is a top, front and right side perspective view of a penta square tool according to my design;

(52) **U.S. Cl.** **D10/65; D10/62**

FIG. 2 is a bottom, rear and left side perspective view of the tool hereof;

(58) **Field of Search** D10/62, 65; 33/419-421, 33/425, 427, 27.03

FIG. 3 is a top plan view thereof;

FIG. 4 is a bottom plan view thereof;

FIG. 5 is a left side elevational view thereof;

FIG. 6 is a right side elevational view thereof;

FIG. 7 is a front elevational view thereof; and,

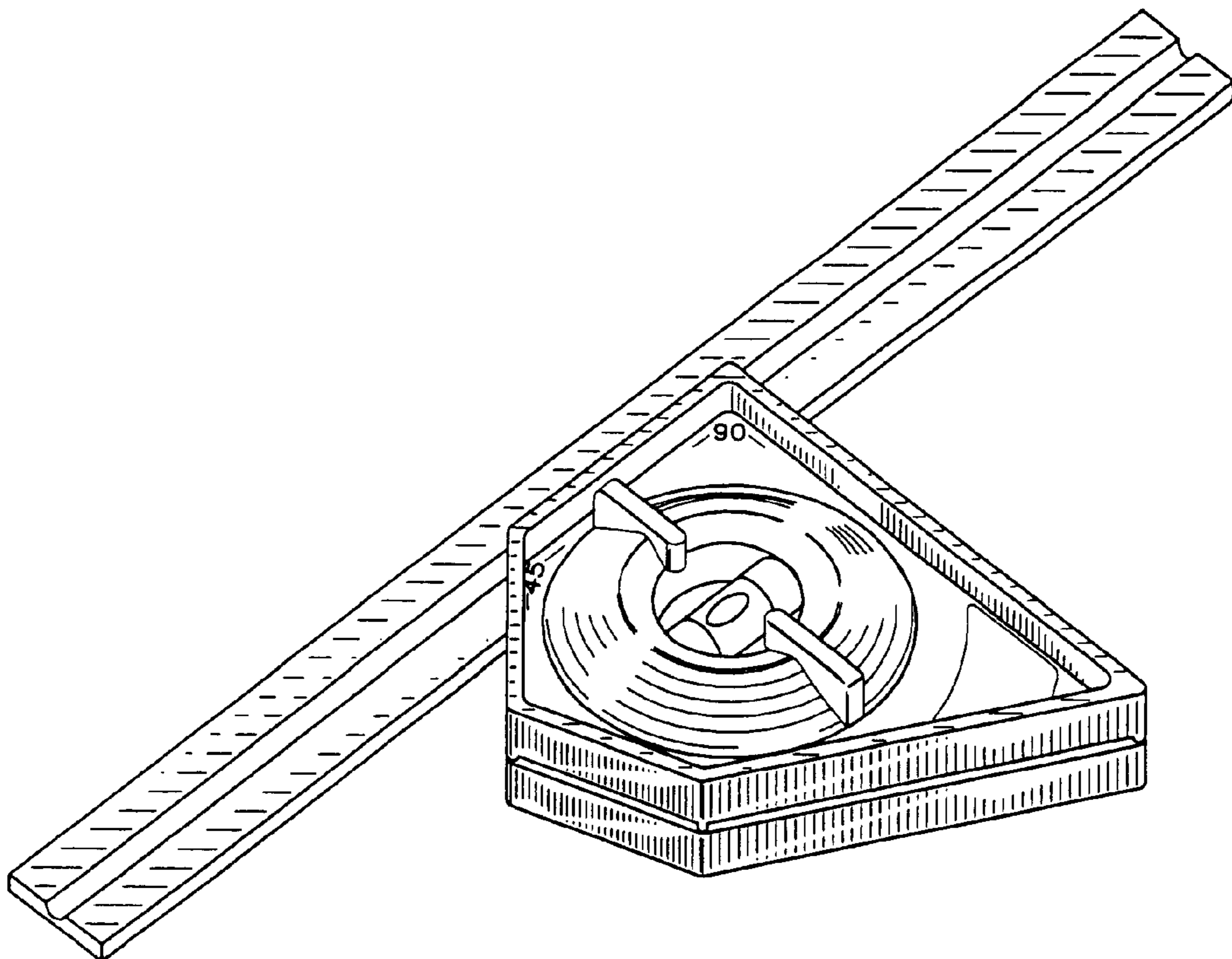
FIG. 8 is a rear elevational view thereof.

(56) **References Cited**

U.S. PATENT DOCUMENTS

- D206,349 S * 11/1966 Barbee D10/65
- 3,335,498 A * 8/1967 Barbee 33/342
- D276,316 S * 11/1984 Weeks D10/62

1 Claim, 4 Drawing Sheets



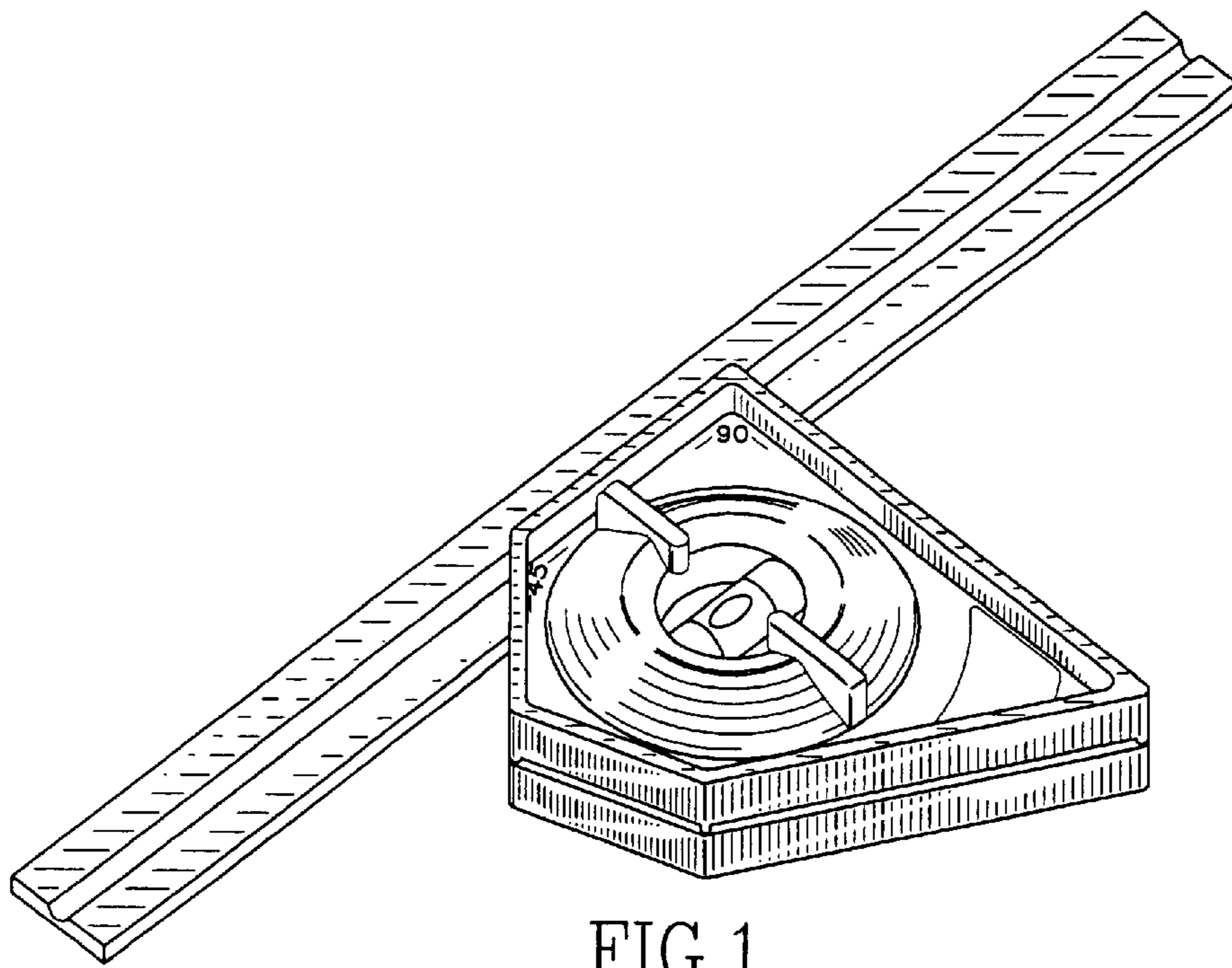


FIG.1

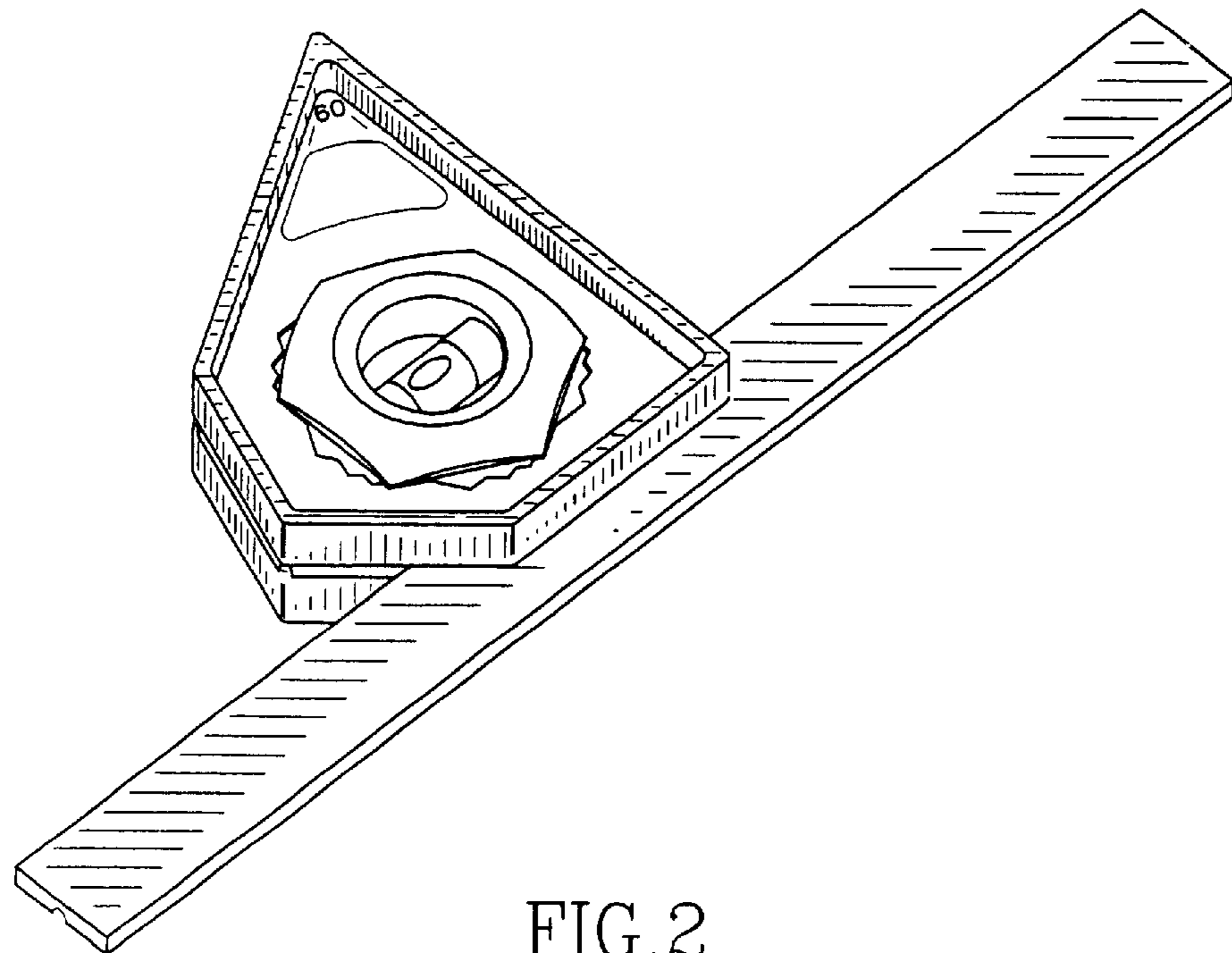


FIG.2

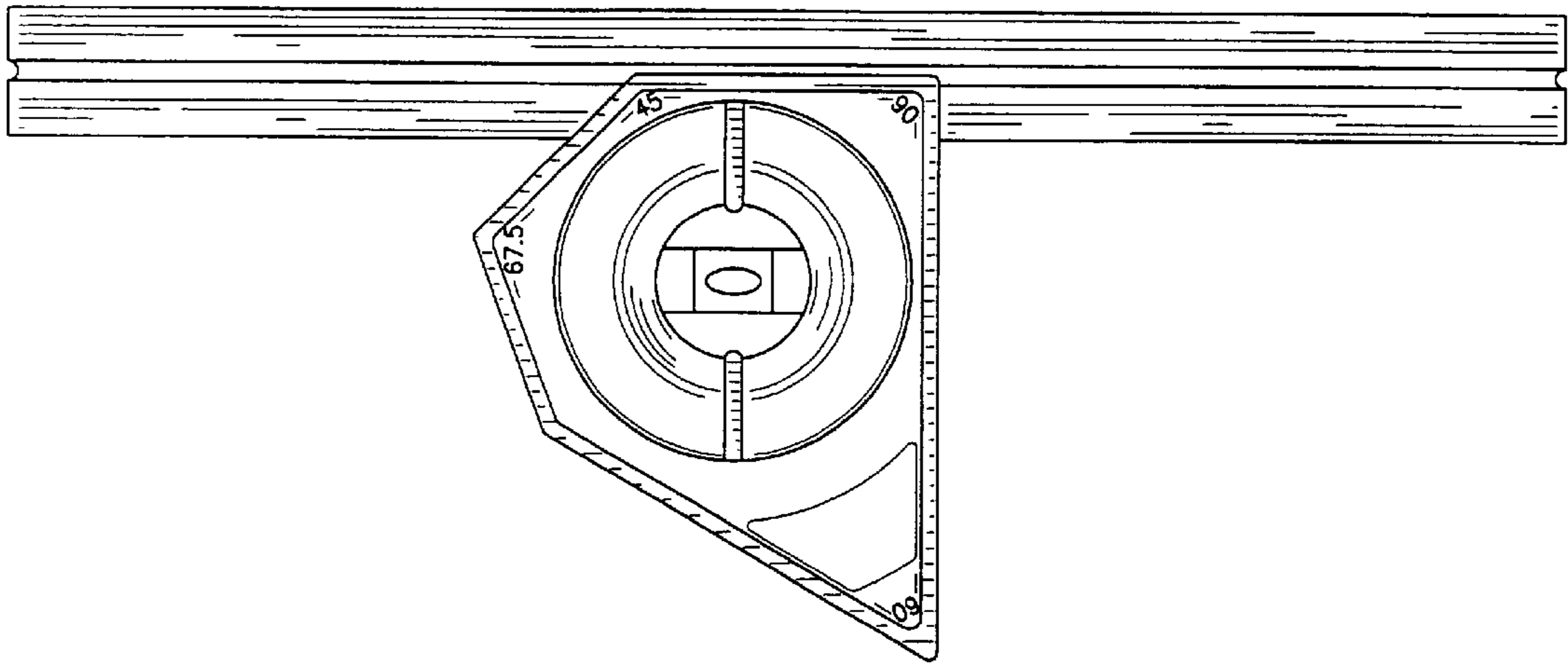


FIG. 3

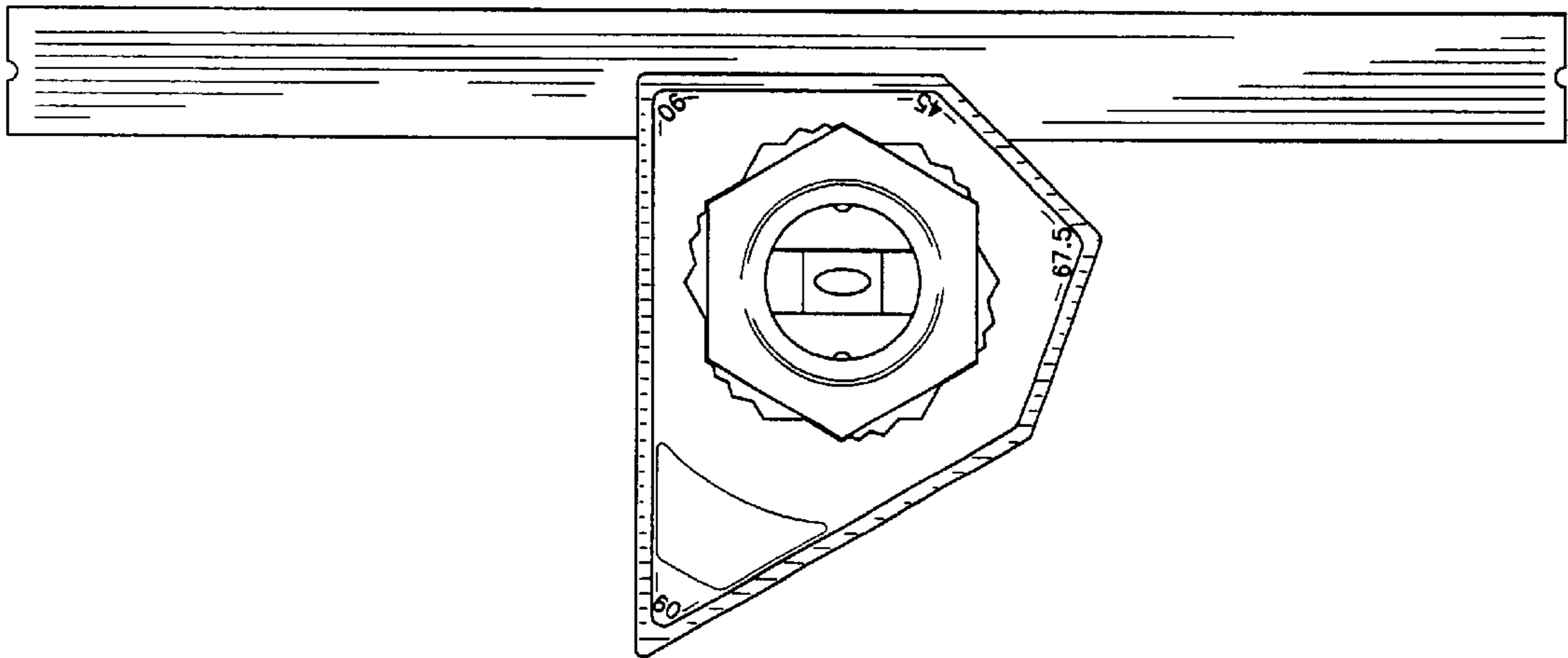


FIG. 4

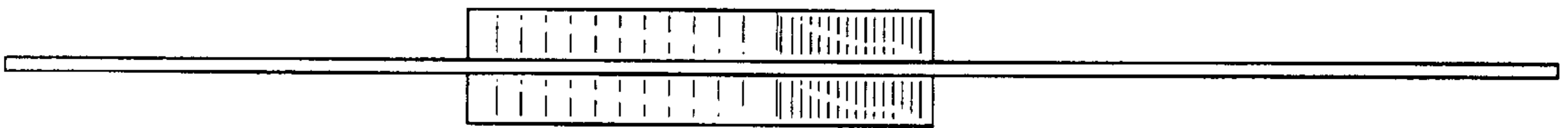


FIG. 5

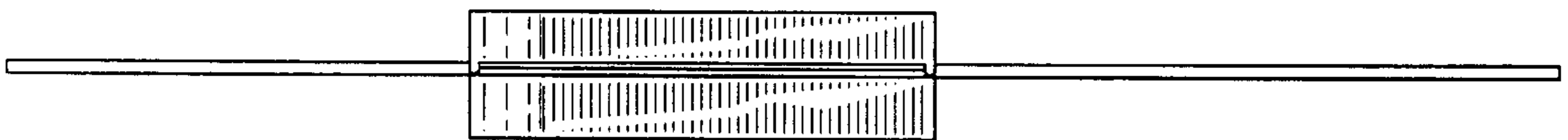


FIG. 6

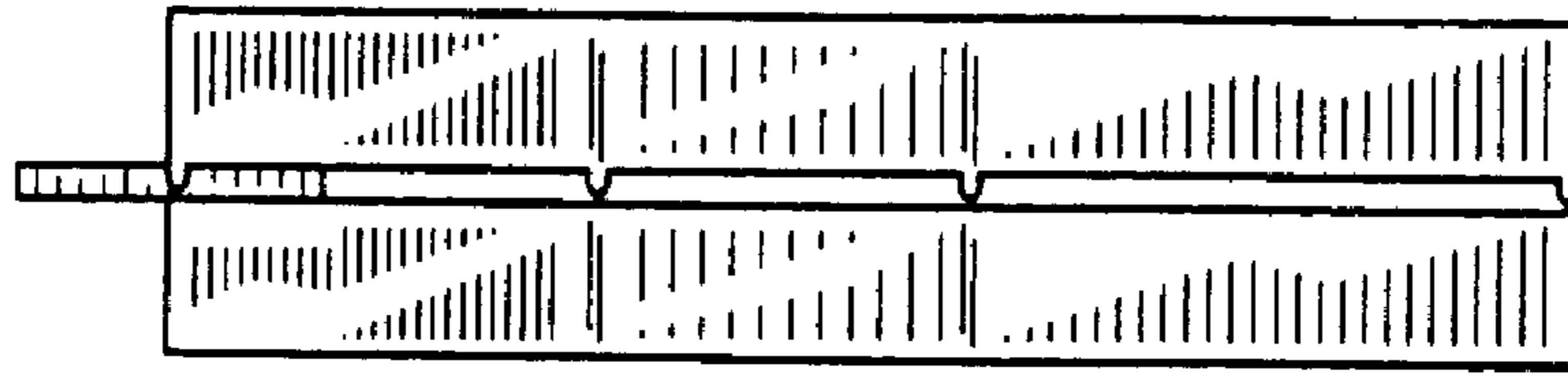


FIG. 7

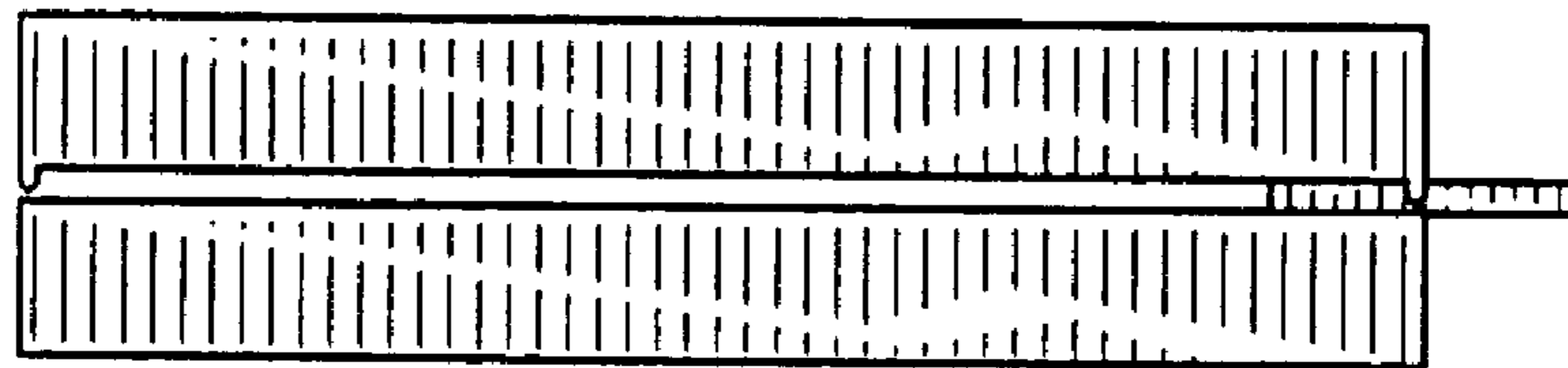


FIG. 8