



US00D460006S

(12) **United States Design Patent**
Greubel et al.

(10) **Patent No.:** **US D460,006 S**
(45) **Date of Patent:** **** Jul. 9, 2002**

(54) **THERMOMETER**

(75) Inventors: **Jürgen Greubel**, Heidenrod; **Ludwig Littmann**, Kronberg, both of (DE)

(73) Assignee: **Braun GmbH** (DE)

(**) Term: **14 Years**

(21) Appl. No.: **29/147,313**

(22) Filed: **Aug. 27, 2001**

(30) **Foreign Application Priority Data**

Feb. 27, 2001 (DE) 4 01 01 997

(51) **LOC (7) Cl.** **10-04**

(52) **U.S. Cl.** **D10/57**

(58) **Field of Search** D10/57; 374/130-132,
374/120-124, 158, 170, 208; 600/474

(56) **References Cited**

U.S. PATENT DOCUMENTS

5,626,139 A * 5/1997 Szeles et al. 374/133

D388,343 S * 12/1997 Yamauchi et al. D10/57
D397,624 S * 9/1998 Kling D10/57
6,097,979 A * 8/2000 Janotte 600/474
6,336,742 B2 * 1/2002 Fukura et al. 374/131

* cited by examiner

Primary Examiner—Antoine Duval Davis

(74) *Attorney, Agent, or Firm*—Fish & Richardson P.C.

(57) **CLAIM**

The ornamental design for a thermometer, as shown and described.

DESCRIPTION

FIG. 1 is a perspective view of a thermometer from above, showing our design;

FIG. 2 is a rear view of the appliance of FIG. 1;

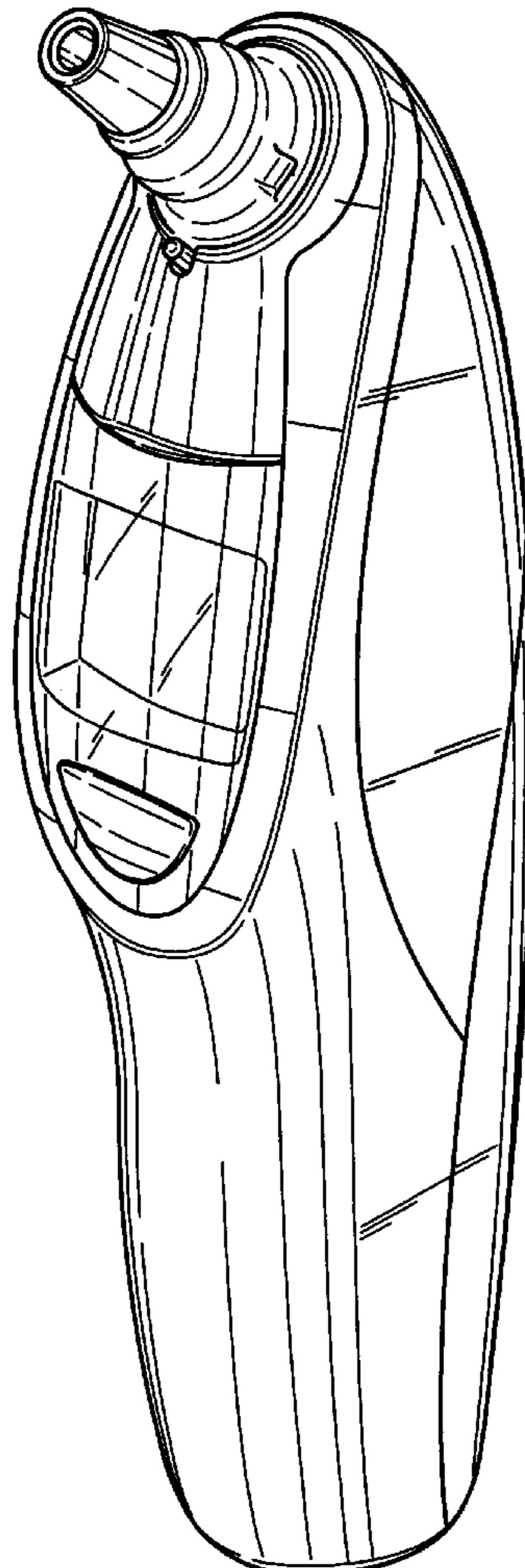
FIG. 3 is a bottom plan view of the appliance of FIG. 2;

FIG. 4 is a left side view of the appliance of FIG. 2;

FIG. 5 is a top plan view of the appliance of FIG. 2; and,

FIG. 6 is a front view of the appliance of FIG. 2.

1 Claim, 2 Drawing Sheets



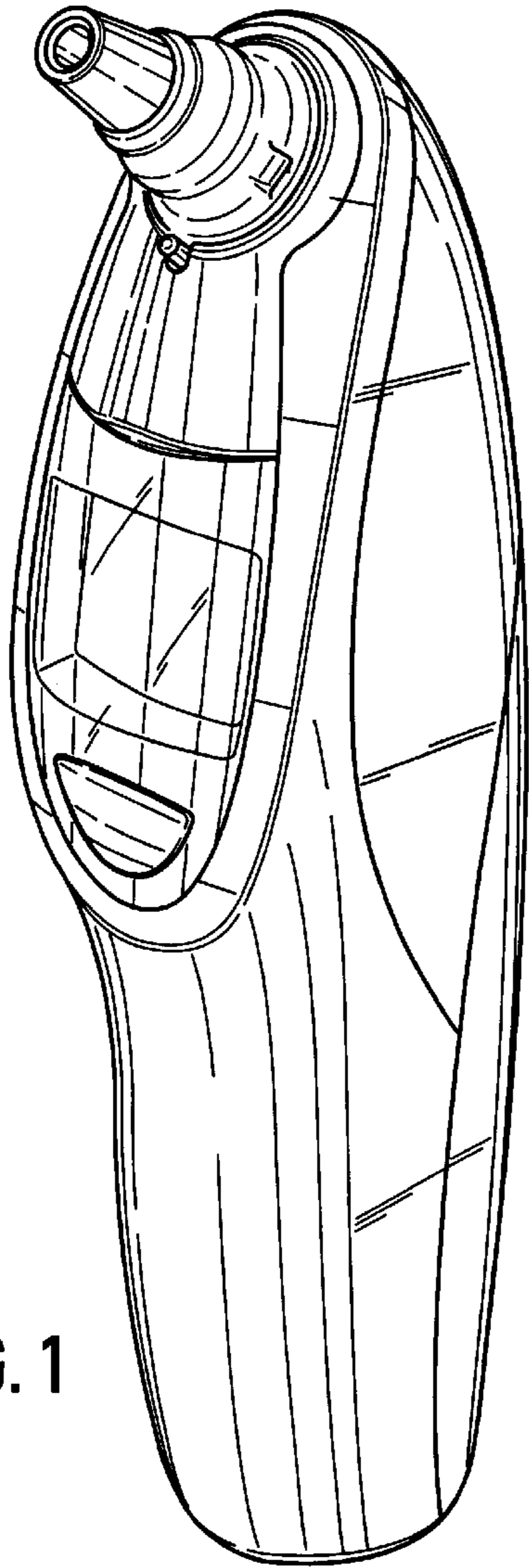


FIG. 1

FIG. 2

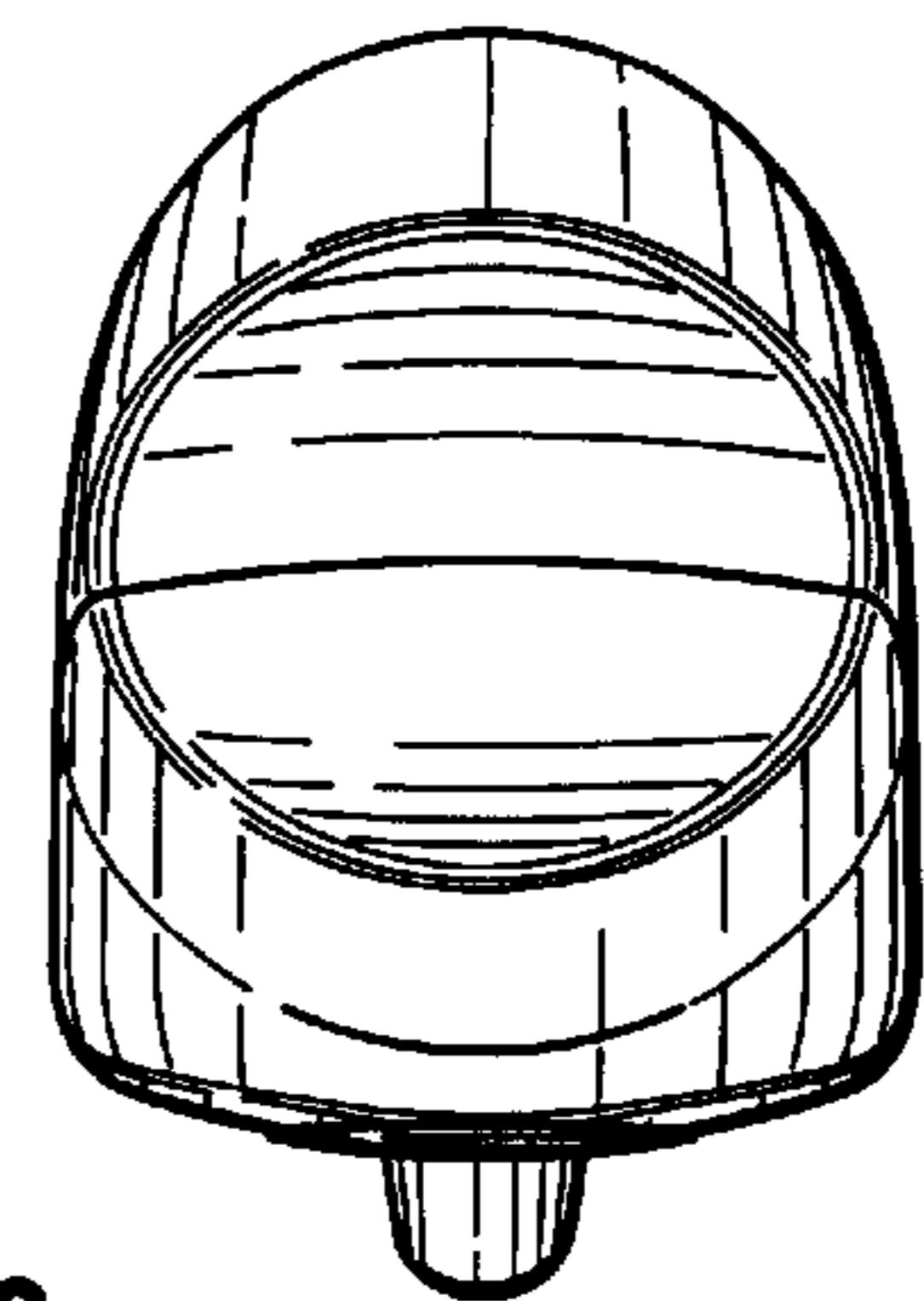
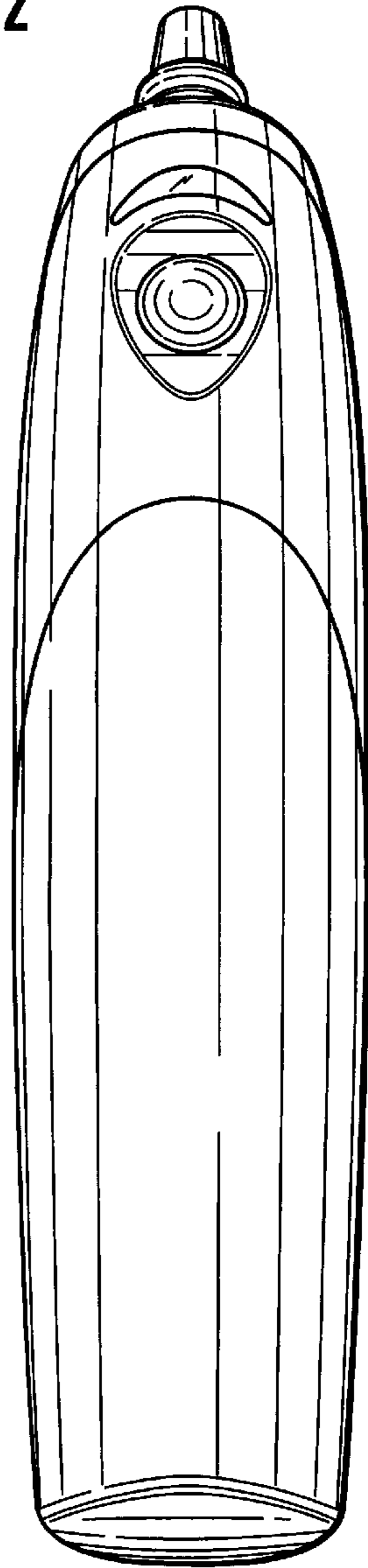


FIG. 3

FIG. 5

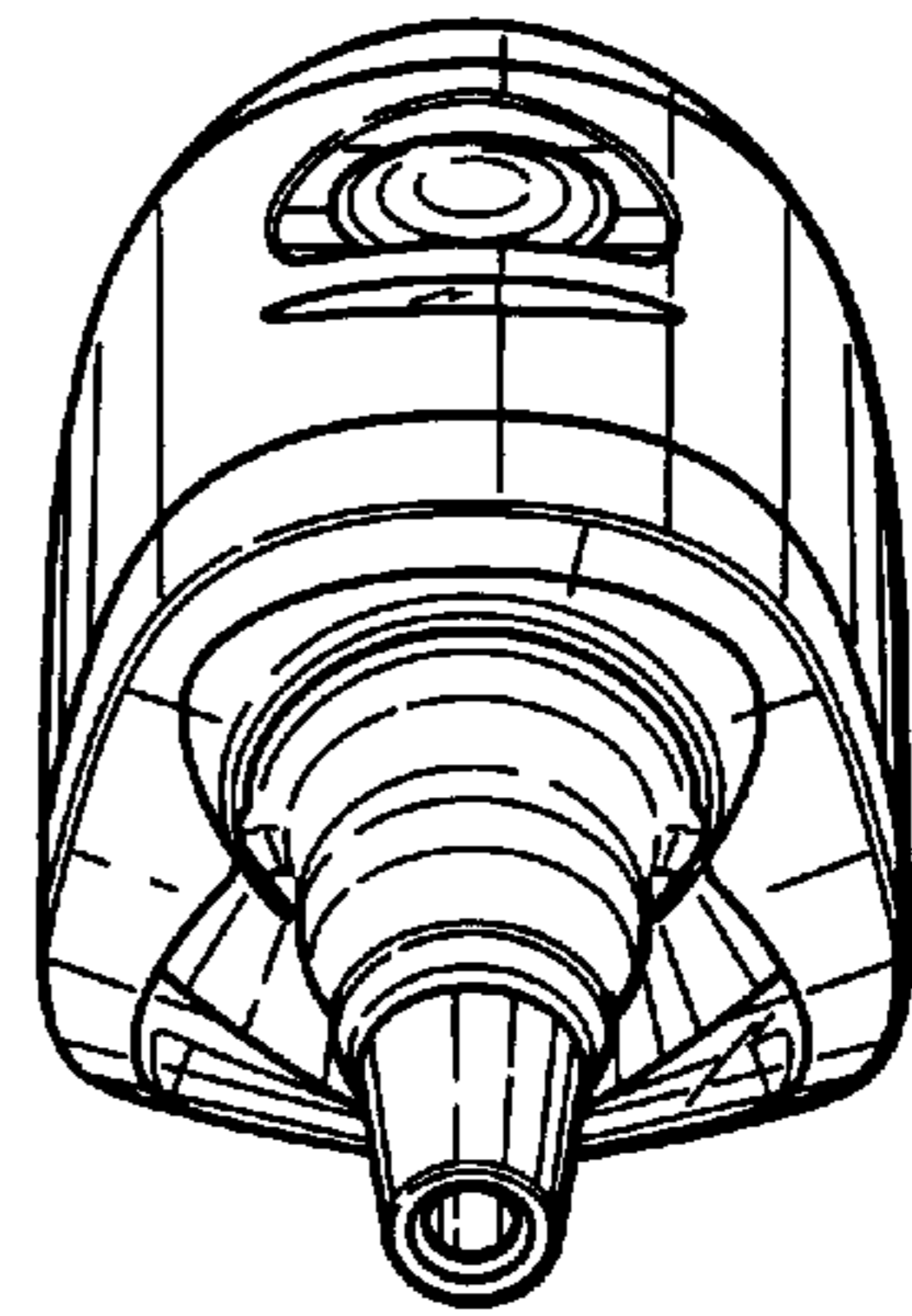


FIG. 4

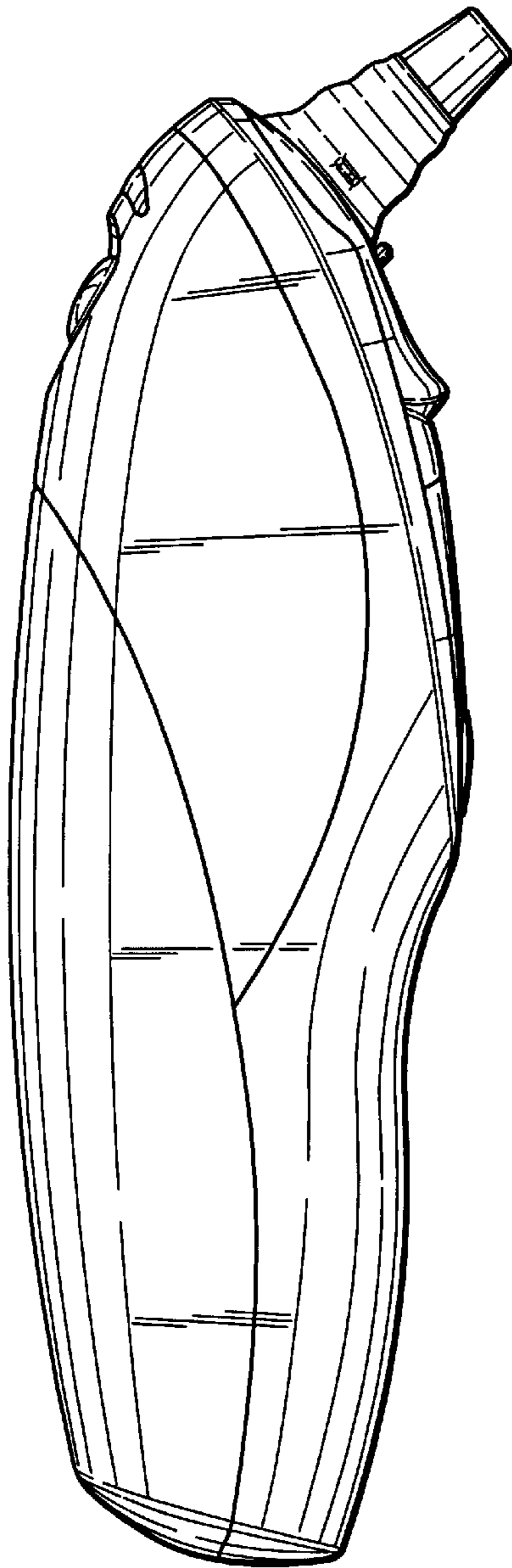


FIG. 6

