



US00D460001S

(12) **United States Design Patent**
Haquet

(10) **Patent No.:** **US D460,001 S**

(45) **Date of Patent:** **** Jul. 9, 2002**

(54) **WATCH**

(75) **Inventor:** **Pierre Haquet, Paris (FR)**

(73) **Assignee:** **Chaumet International S.A., Paris (FR)**

(**) **Term:** **14 Years**

(21) **Appl. No.:** **29/142,383**

(22) **Filed:** **May 24, 2001**

(30) **Foreign Application Priority Data**

Dec. 21, 2000 (XH) DM/054 584

(51) **LOC (7) Cl.** **10-02**

(52) **U.S. Cl.** **D10/32**

(58) **Field of Search** D10/1-39, 122-132;
368/276-277, 285, 281-282; 224/168, 164,
178; D11/3-25; 63/1.11, 3, 5, 11

(56) **References Cited**

U.S. PATENT DOCUMENTS

D250,881 S * 1/1979 Liautaud D10/32
D294,919 S * 3/1988 Ferre' D10/32

D318,238 S * 7/1991 Fong D10/32
D409,097 S * 5/1999 Monachon D10/32
D436,045 S * 1/2001 Giardiello D10/32
D436,047 S * 1/2001 Giardiello D10/32
D449,998 S * 11/2001 Butler D10/32
D452,657 S * 1/2002 Hegi D10/32

* cited by examiner

Primary Examiner—Nelson C. Holtje

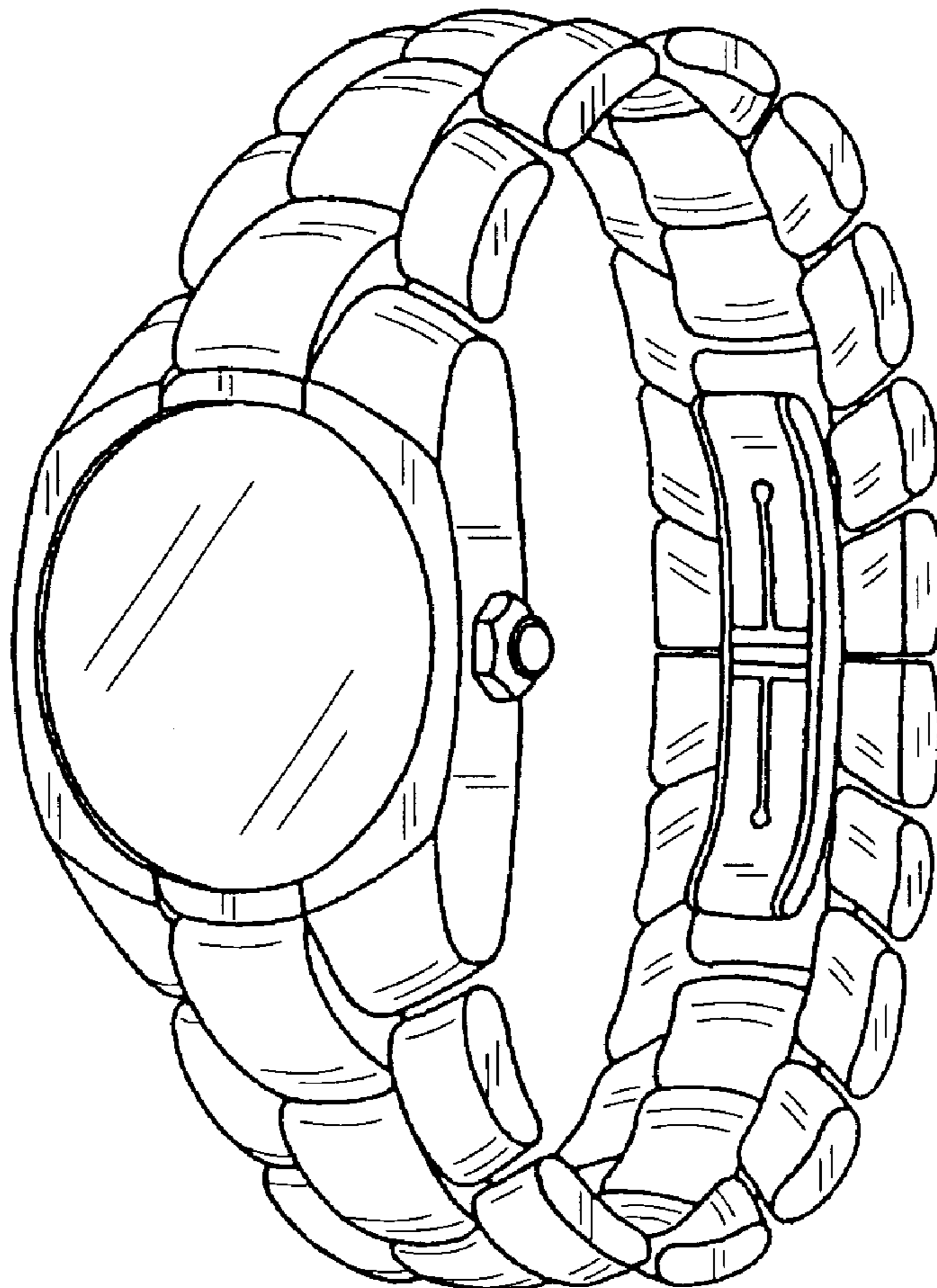
(57) **CLAIM**

I claim the ornamental design for the watch, as shown and described.

DESCRIPTION

FIG. 1 is a right front perspective view of the new ornamental watch of the present invention;
FIG. 2 is a back view thereof;
FIG. 3 is a front view thereof;
FIG. 4 is a top view thereof;
FIG. 5 is a bottom view thereof;
FIG. 6 is a left side view thereof; and,
FIG. 7 is a right side view thereof.

1 Claim, 4 Drawing Sheets



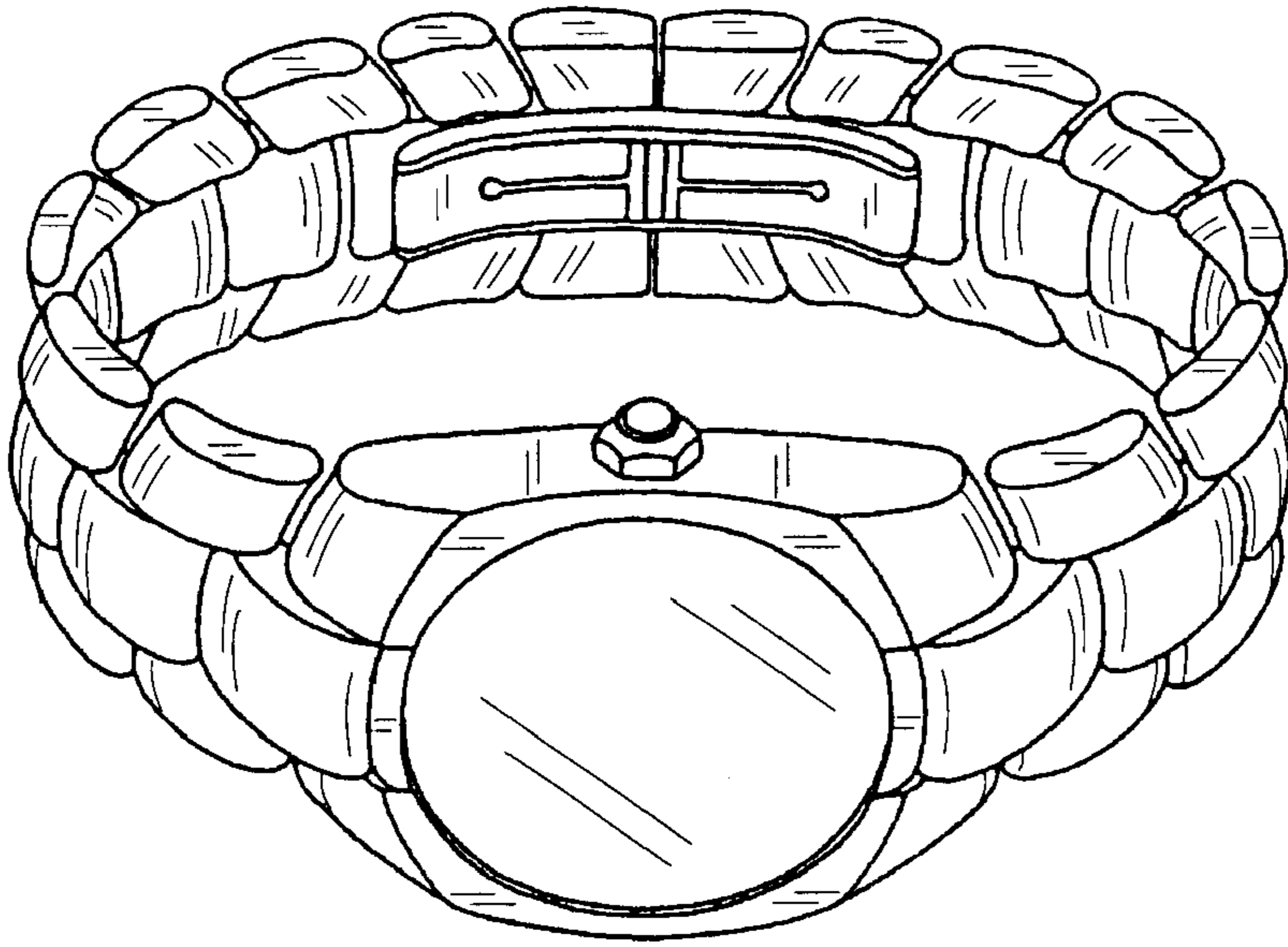


FIG. 1

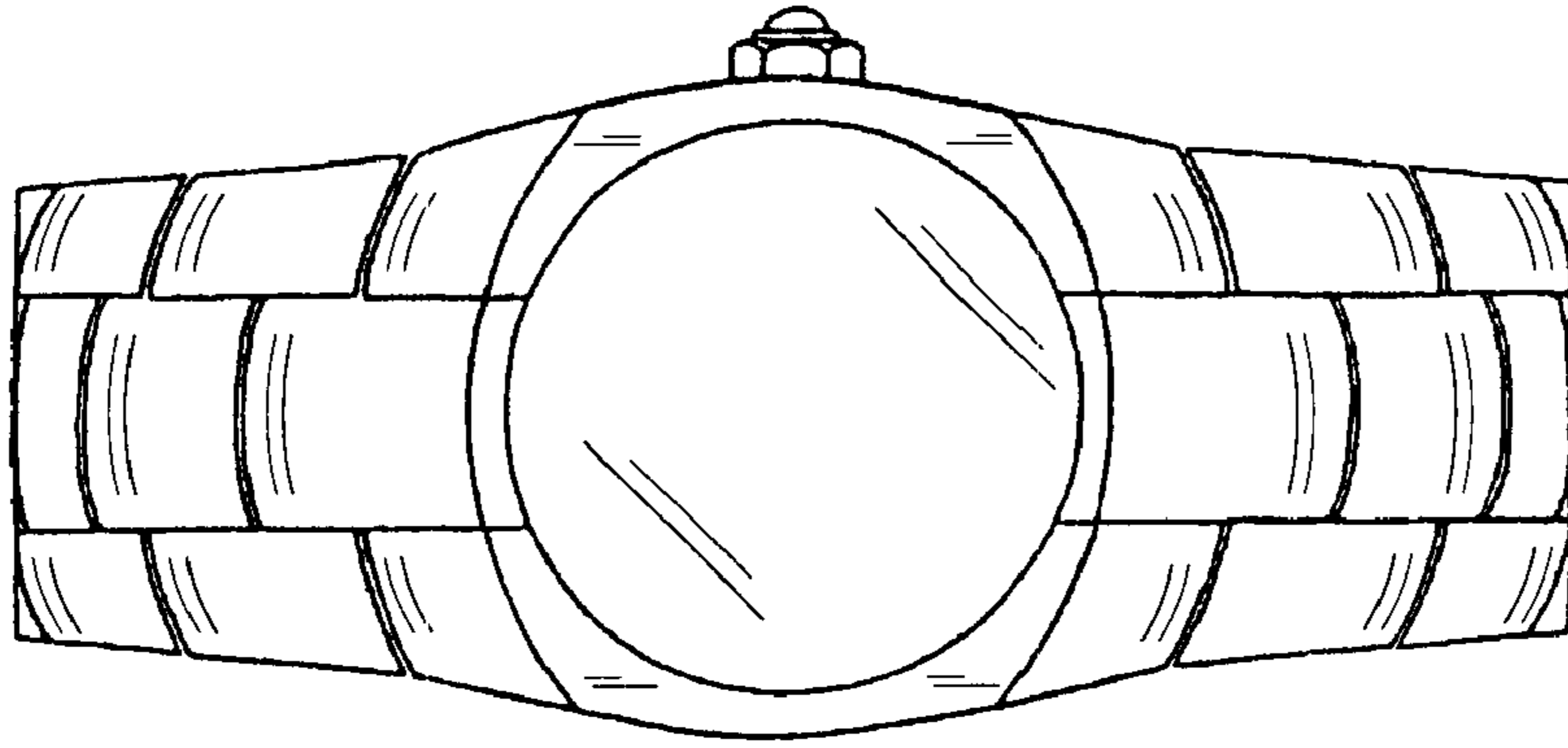


FIG. 3

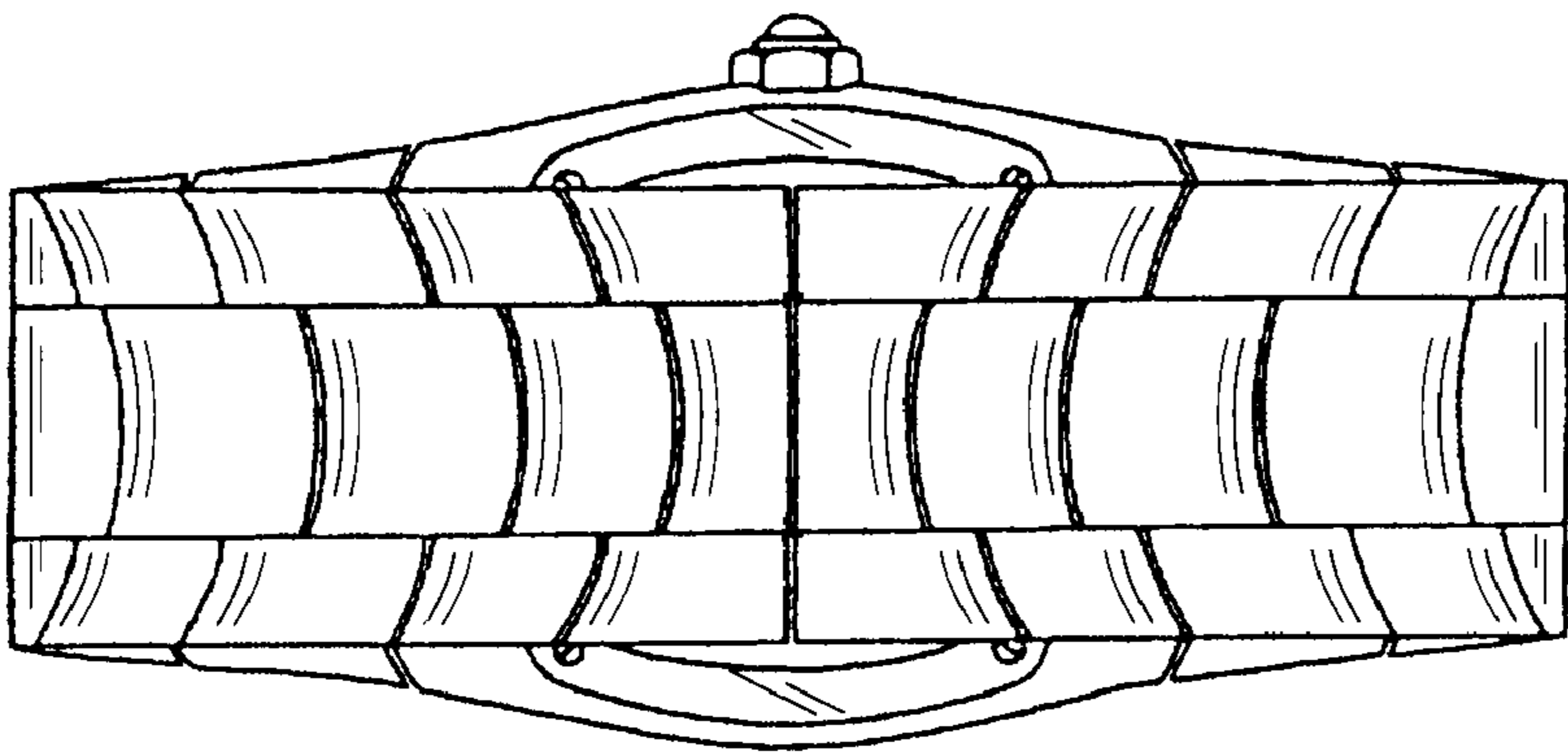


FIG. 2

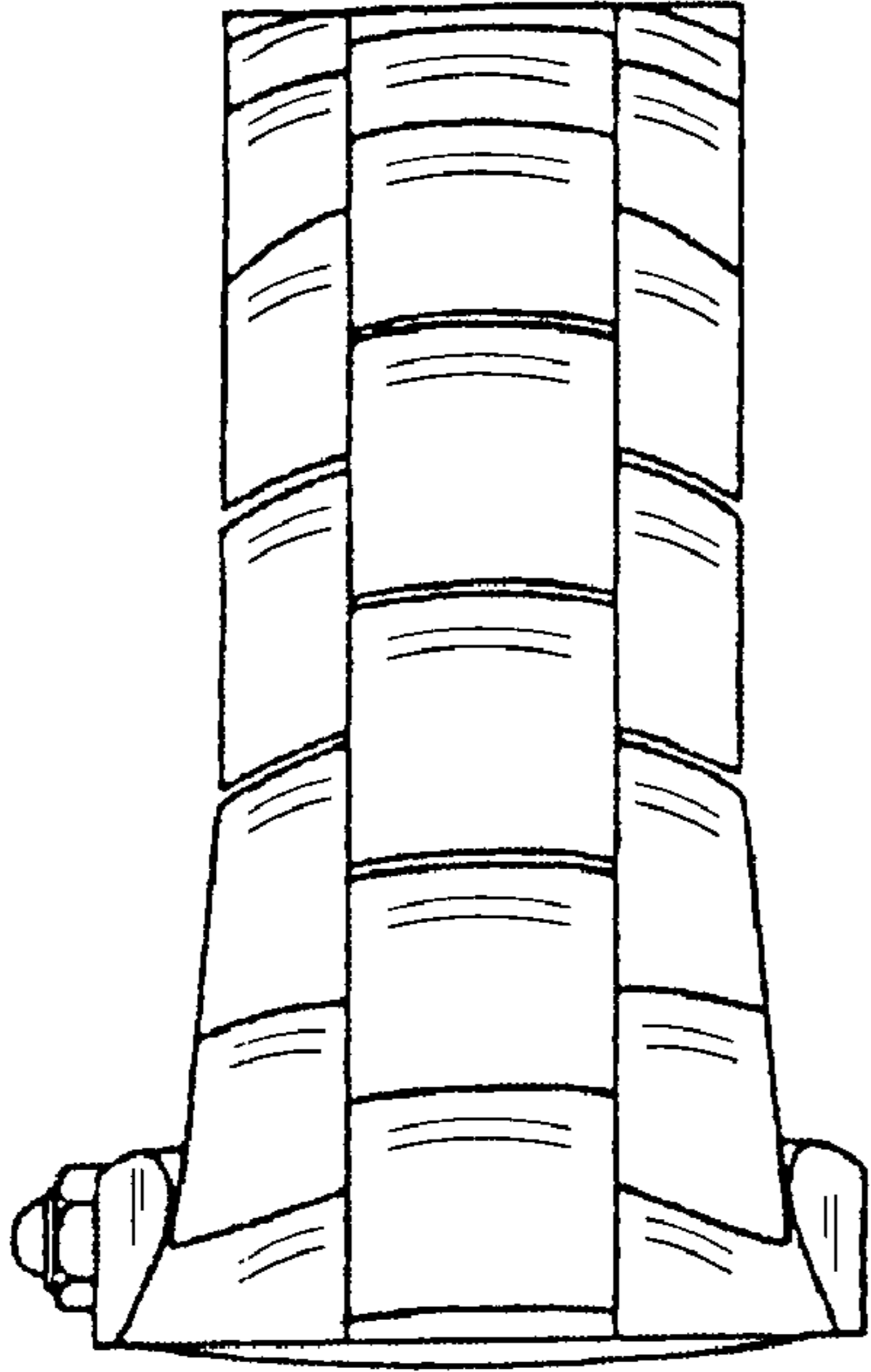


FIG. 5

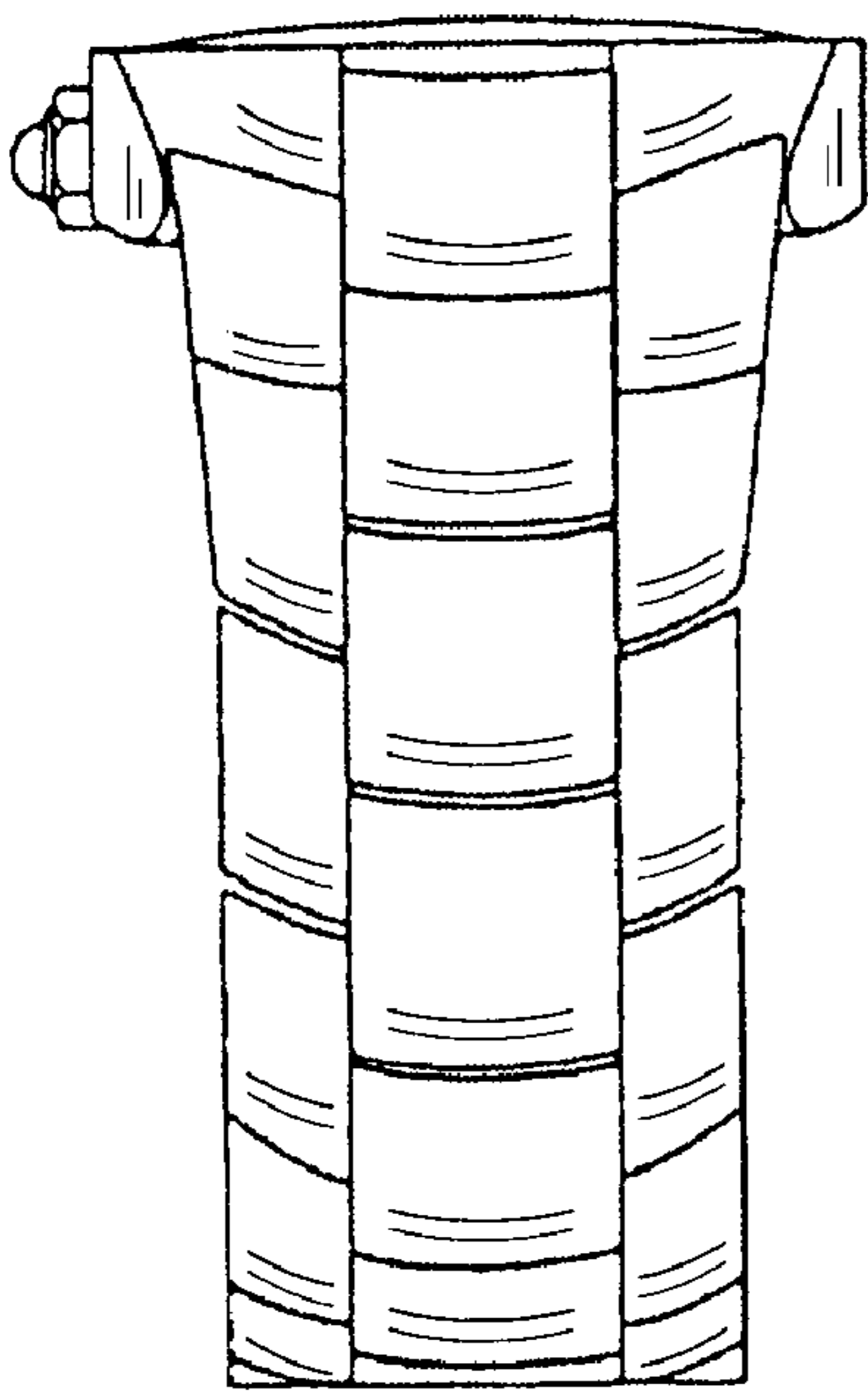


FIG. 4

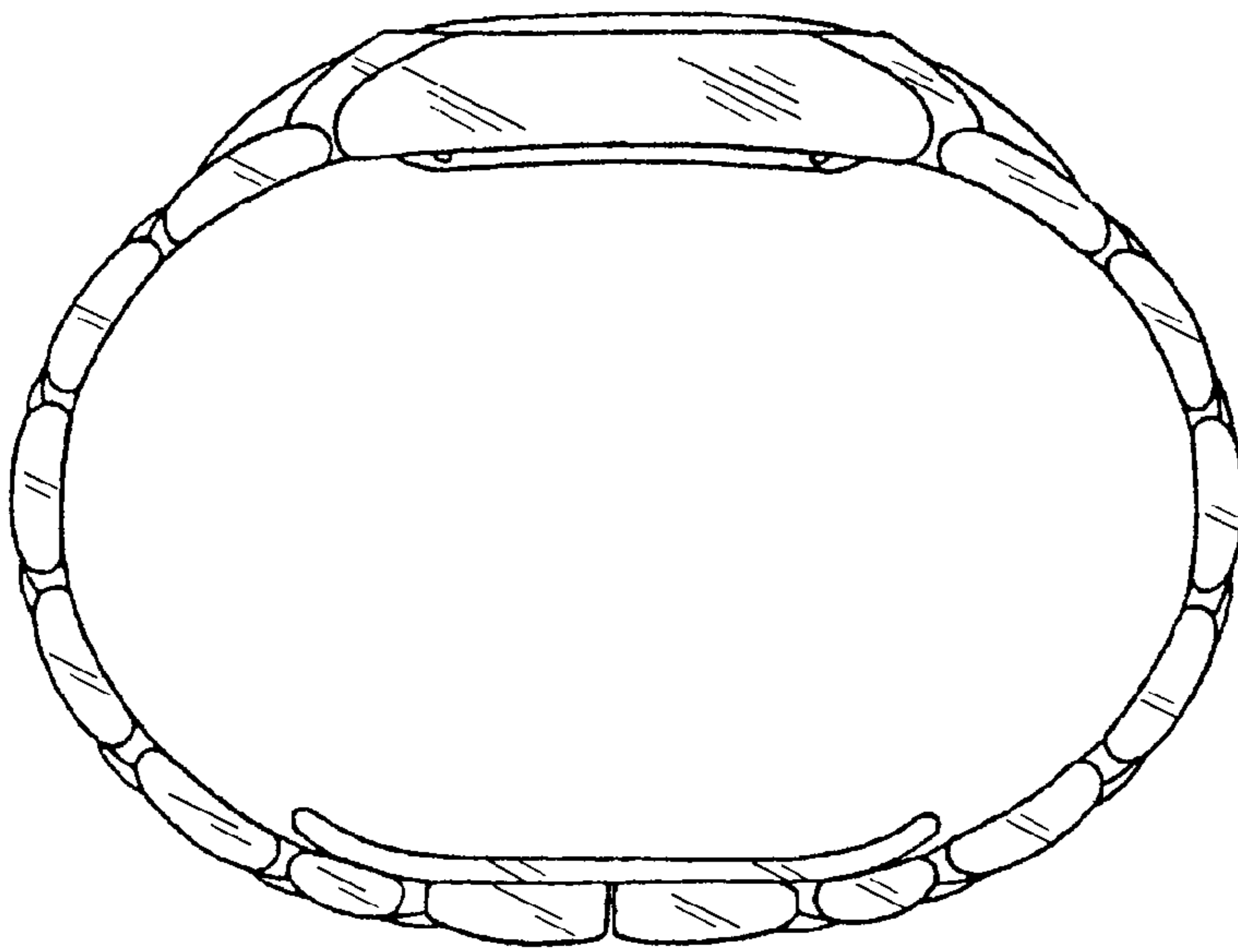


FIG. 6

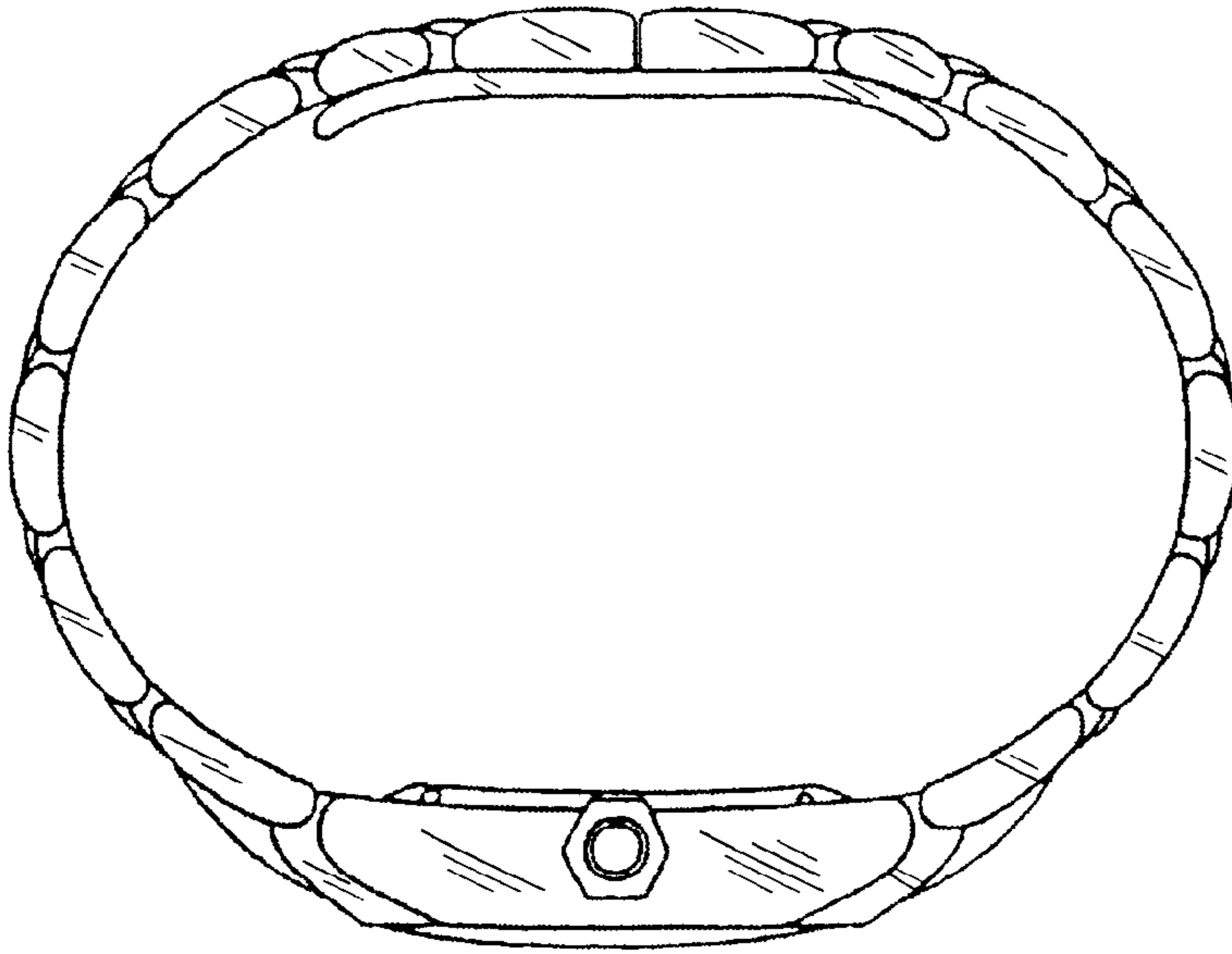


FIG. 7