



US00D45995S

(12) **United States Design Patent**
Hong et al.

(10) **Patent No.: US D459,995 S**

(45) **Date of Patent: ** Jul. 9, 2002**

(54) **UPPER PORTION OF A BOTTLE**

D439,166 S 3/2001 Denner et al. D9/538
D442,493 S * 5/2001 Bretz et al. D9/538

(75) Inventors: **Seungyeol Hong**, York; **Richard K. Ogg**, Littlestown; **George Harrell**; **John Vlah**, both of York, all of PA (US)

* cited by examiner

Primary Examiner—James Gandy

Assistant Examiner—Daniel Bui

(74) *Attorney, Agent, or Firm*—Howson and Howson

(73) Assignee: **Graham Packaging Company, L.P.**, York, PA (US)

(57) **CLAIM**

(**) Term: **14 Years**

The ornamental design for the upper portion of a bottle, as shown and described.

(21) Appl. No.: **29/136,735**

DESCRIPTION

(22) Filed: **Feb. 5, 2001**

(51) **LOC (7) Cl.** **09-01**

(52) **U.S. Cl.** **D9/541**

(58) **Field of Search** D9/516, 530, 537, D9/539, 540, 542, 543, 548, 549, 553, 558, 572, 573, 574, 575, 499; 206/527; 215/43, 44, 200, 316, 329, 400; 220/256, 260, 288, 289, 290, 291, 890

FIG. 1 is a perspective view of an upper portion of a bottle of our new design;

FIG. 2 is an elevational view of the upper portion of a bottle, the elevational view being identical for every one-fifth rotation of the bottle about its central longitudinal axis;

FIG. 3 is an elevational view of the upper portion of a bottle having been rotated 36° clockwise about its longitudinal central axis relative to its position illustrated in FIG. 2, the elevational view being identical for every one-fifth rotation of the bottle about its central longitudinal axis;

FIG. 4 is a top plan view of the upper portion of a bottle; FIG. 5 is a bottom plan view of the upper portion of the bottle;

FIG. 6 is a horizontal cross section of the upper portion of the bottle along line 6—6 of FIG. 2;

FIG. 7 is a horizontal cross section of the upper portion of the bottle along line 7—7 of FIG. 2; and,

FIG. 8 is a horizontal cross section of the upper portion of the bottle along line 8—8 of FIG. 2.

The broken line showing of the environment in FIGS. 1–5 is for illustrative purposes only and forms no part of the claimed design.

(56) **References Cited**

U.S. PATENT DOCUMENTS

5,011,648	A	4/1991	Garver et al.	264/521
5,067,622	A	11/1991	Garver et al.	215/1 C
D331,881	S	12/1992	Garver et al.	D9/553
5,381,910	A	1/1995	Sugiura et al.	215/1 C
D369,558	S	* 5/1996	Heinz	D9/559
D384,586	S	* 10/1997	Peek	D9/520
D391,168	S	2/1998	Ogg	D9/538
5,762,221	A	6/1998	Tobias et al.	215/381
D411,460	S	* 6/1999	Nobuto	D9/560
D411,803	S	7/1999	Guertin	D9/520
6,044,996	A	4/2000	Carew et al.	215/381
6,044,997	A	4/2000	Ogg	215/381
D434,330	S	* 11/2000	Rowe et al.	D9/538

1 Claim, 4 Drawing Sheets

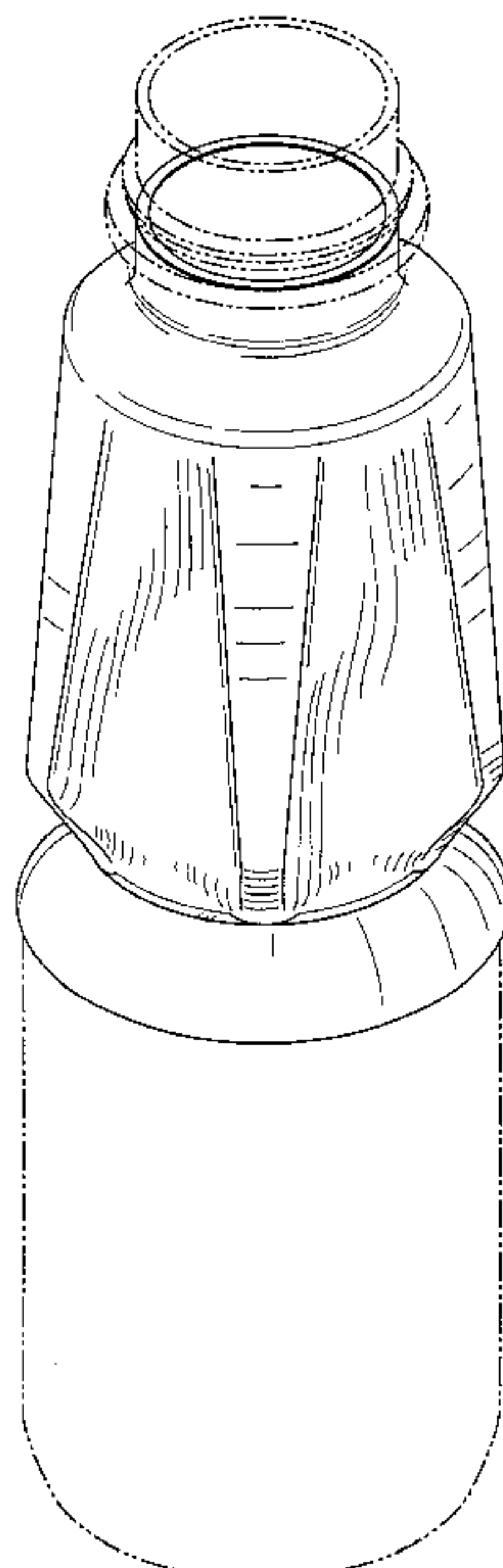


FIG. 1

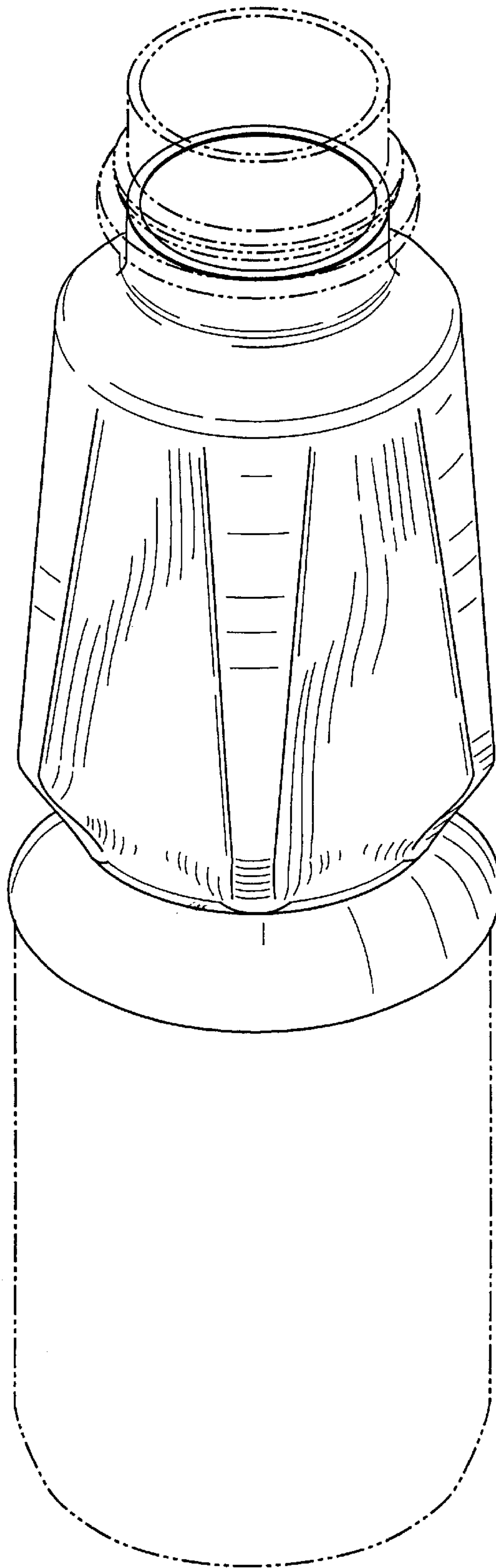


FIG. 2

FIG. 3

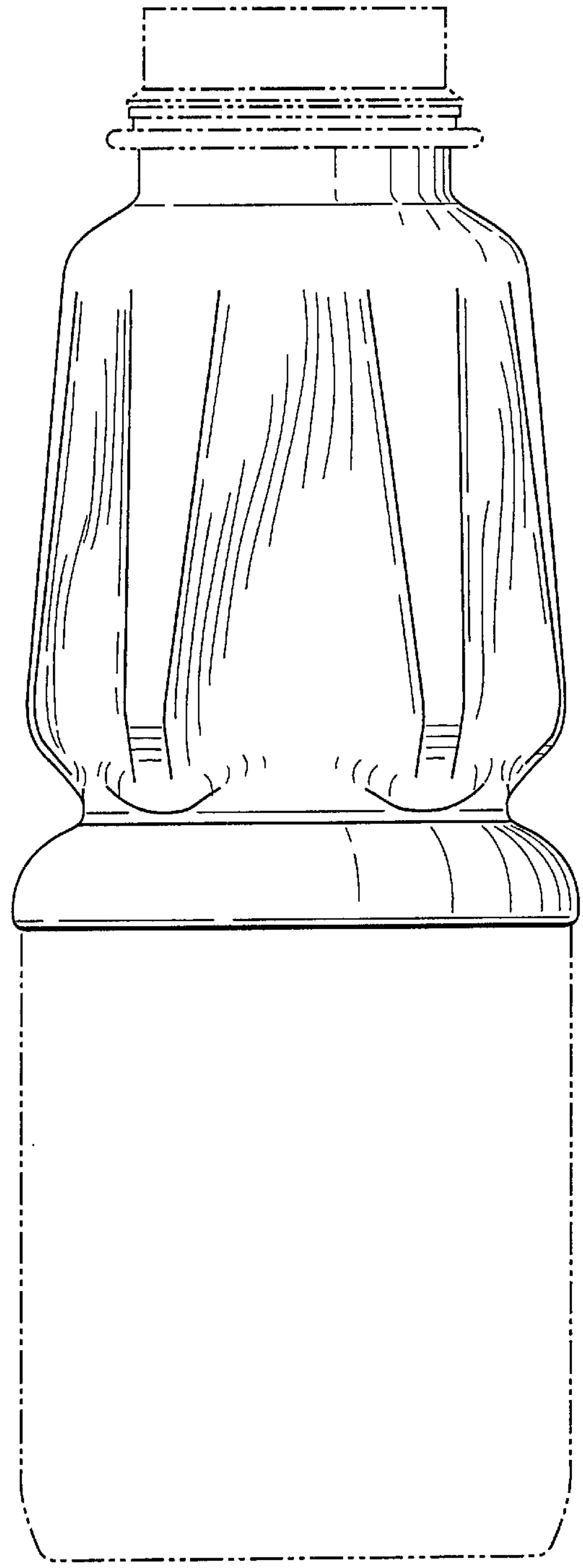
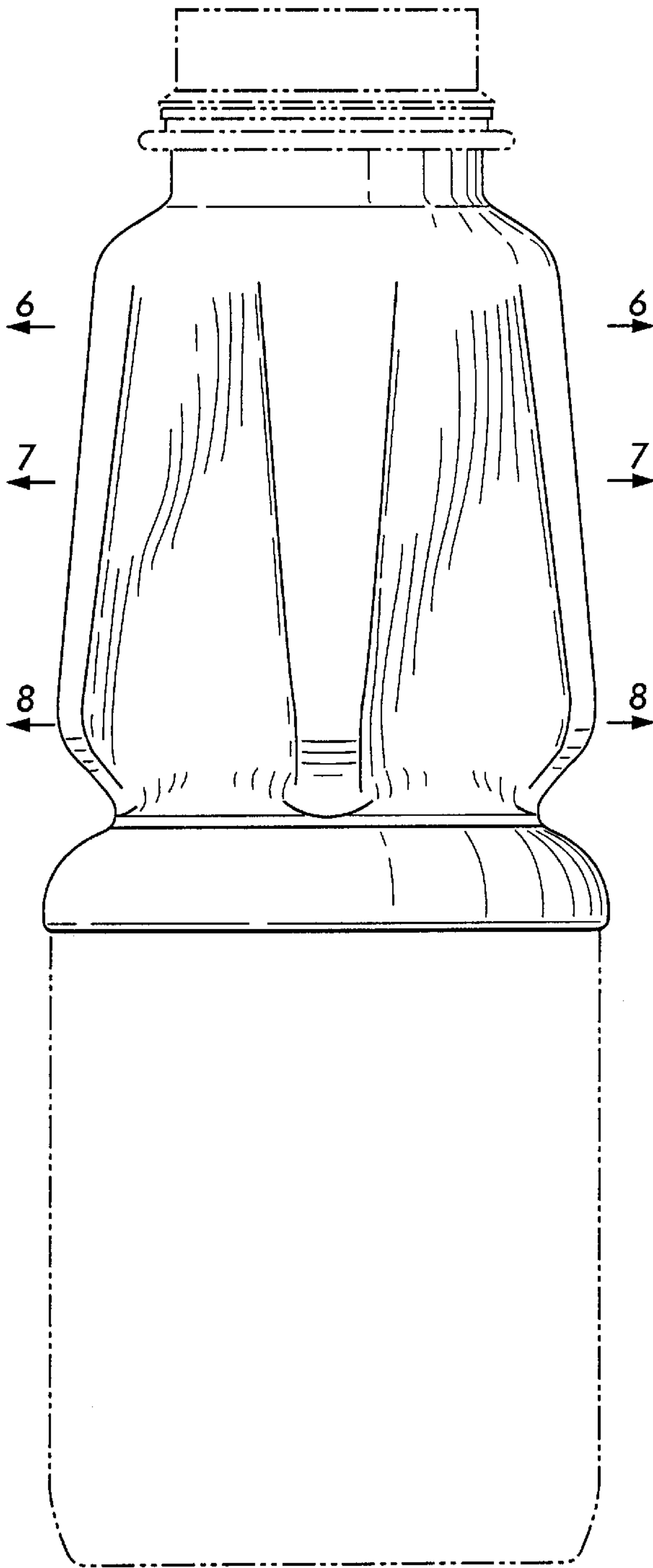


FIG. 4

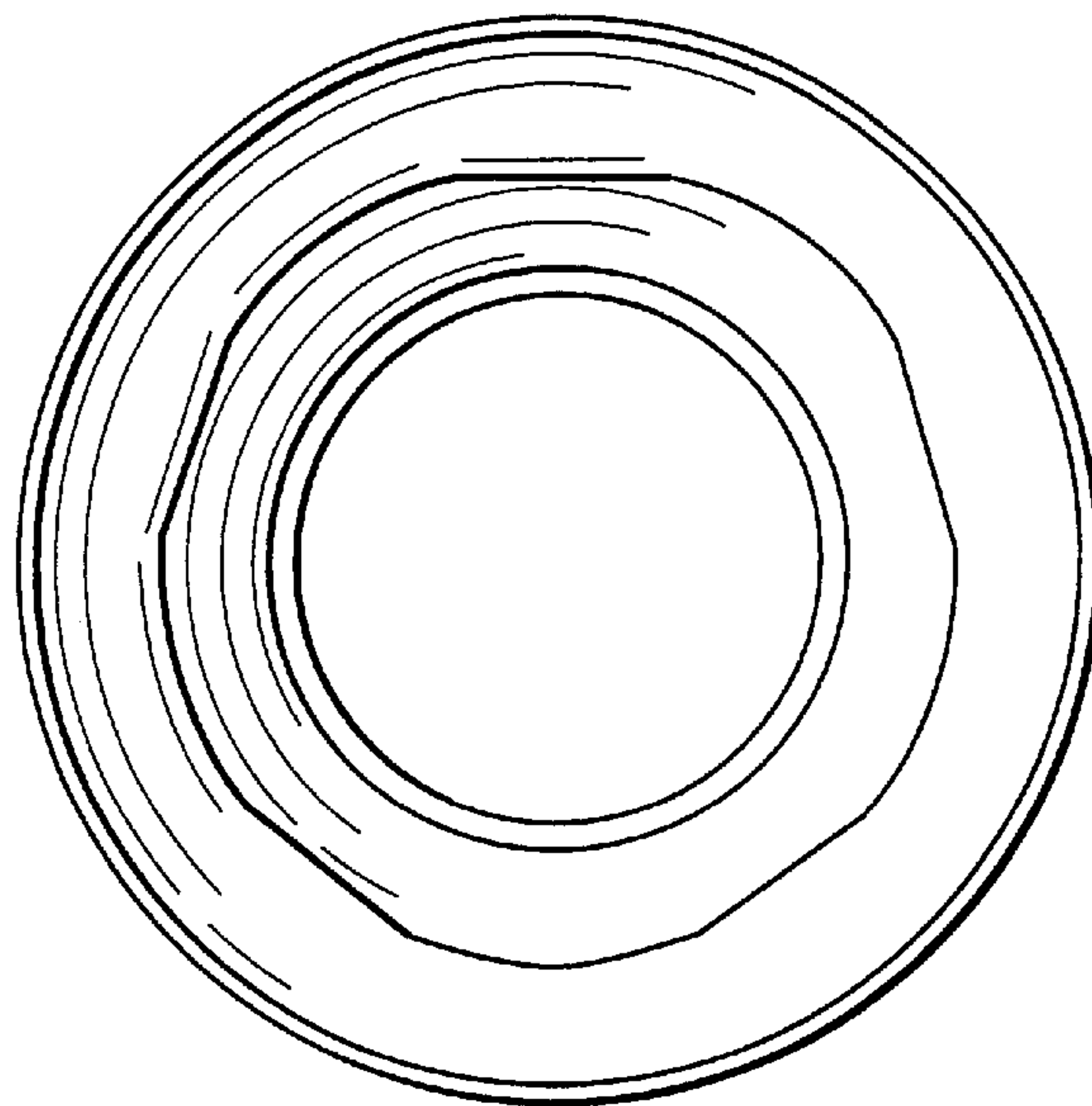
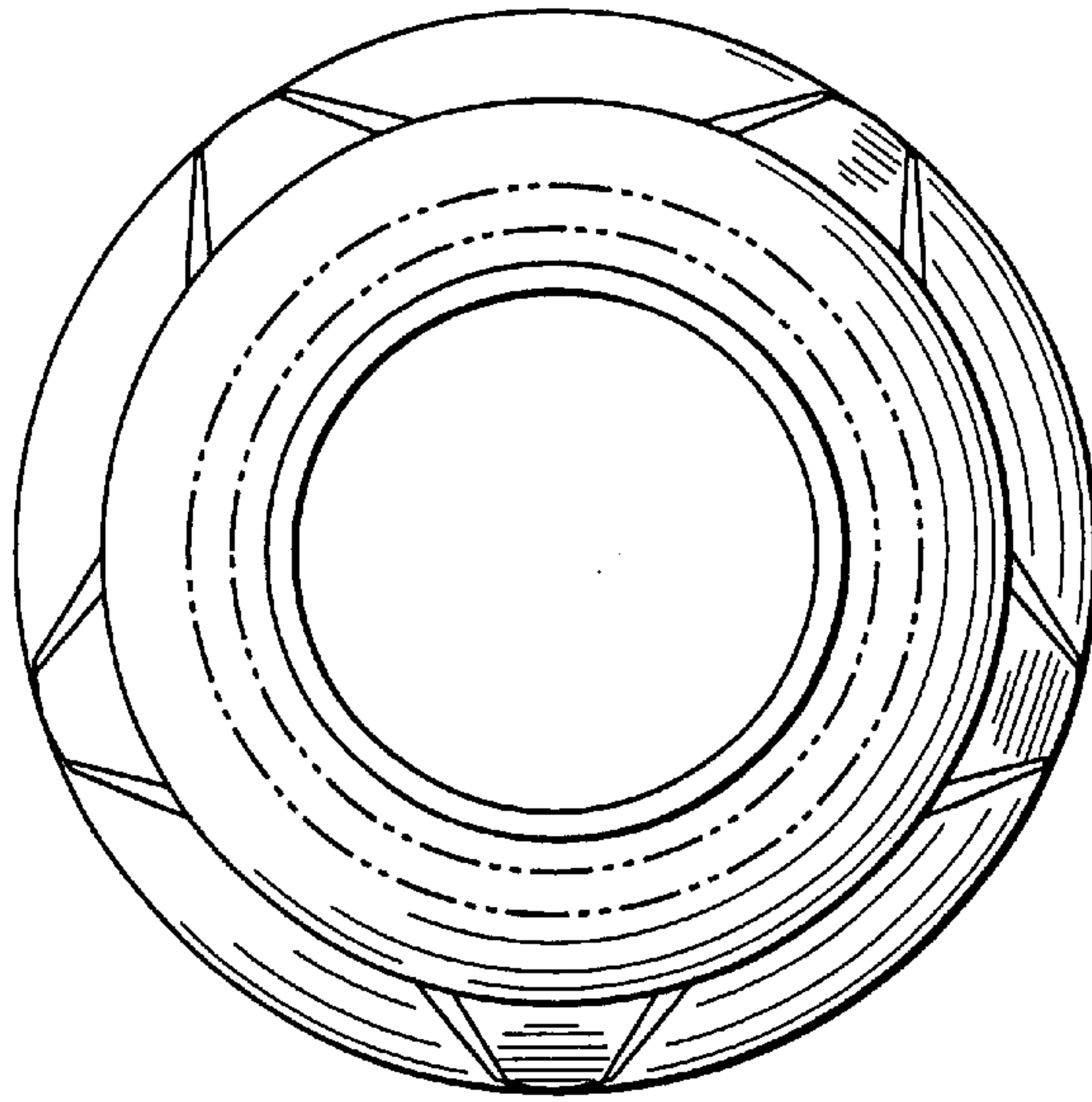


FIG. 5

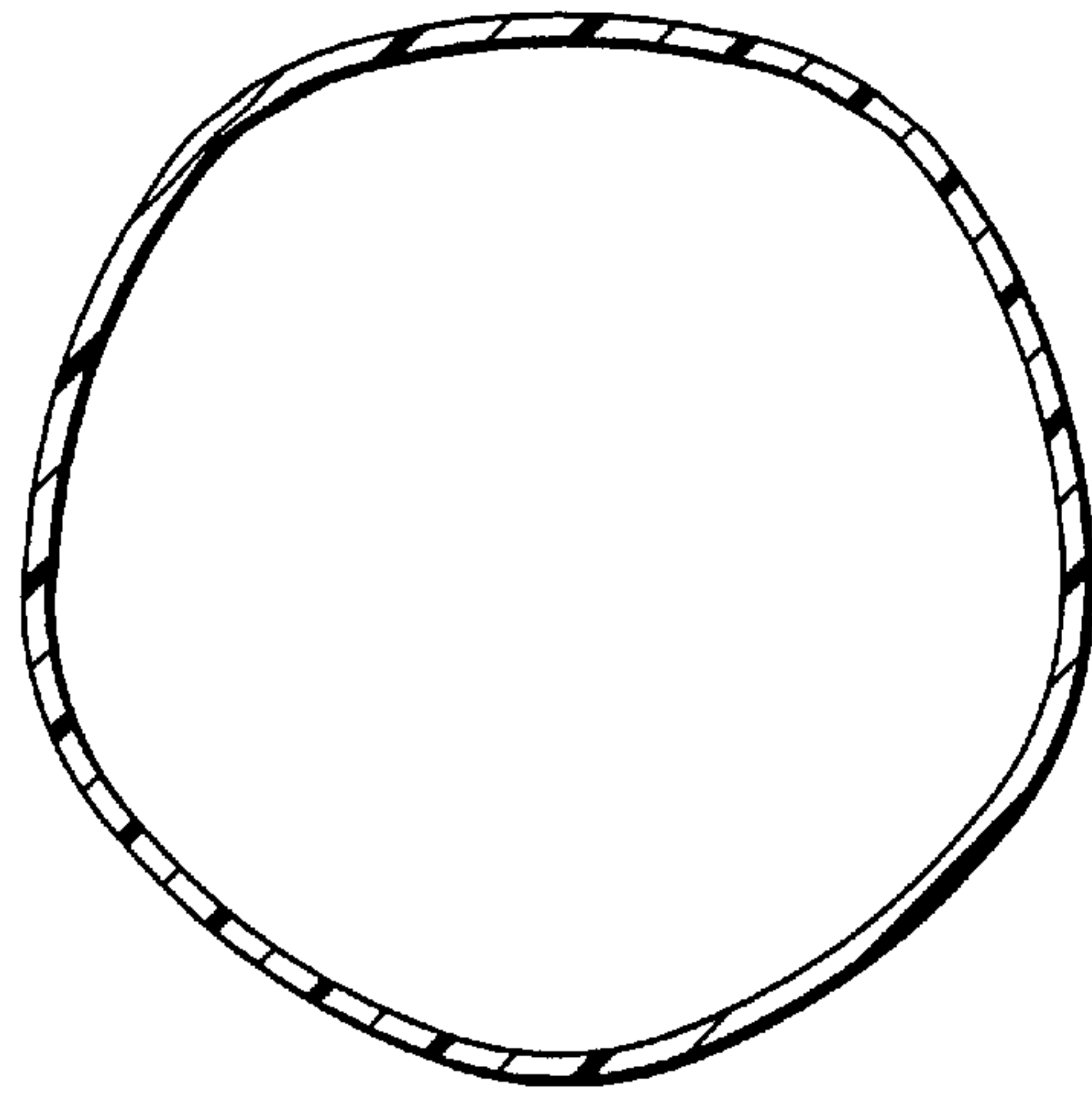


FIG. 6

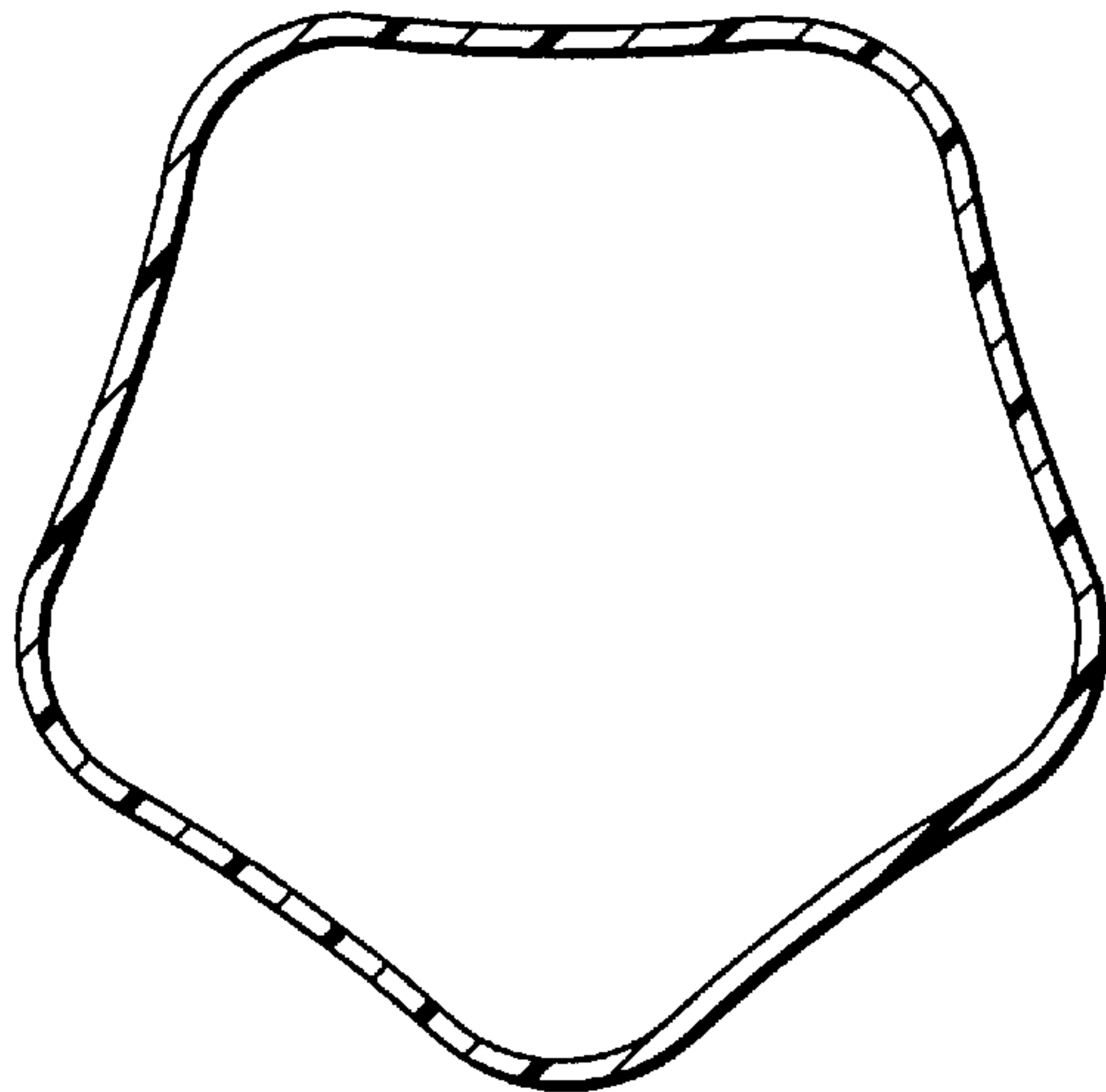


FIG. 7

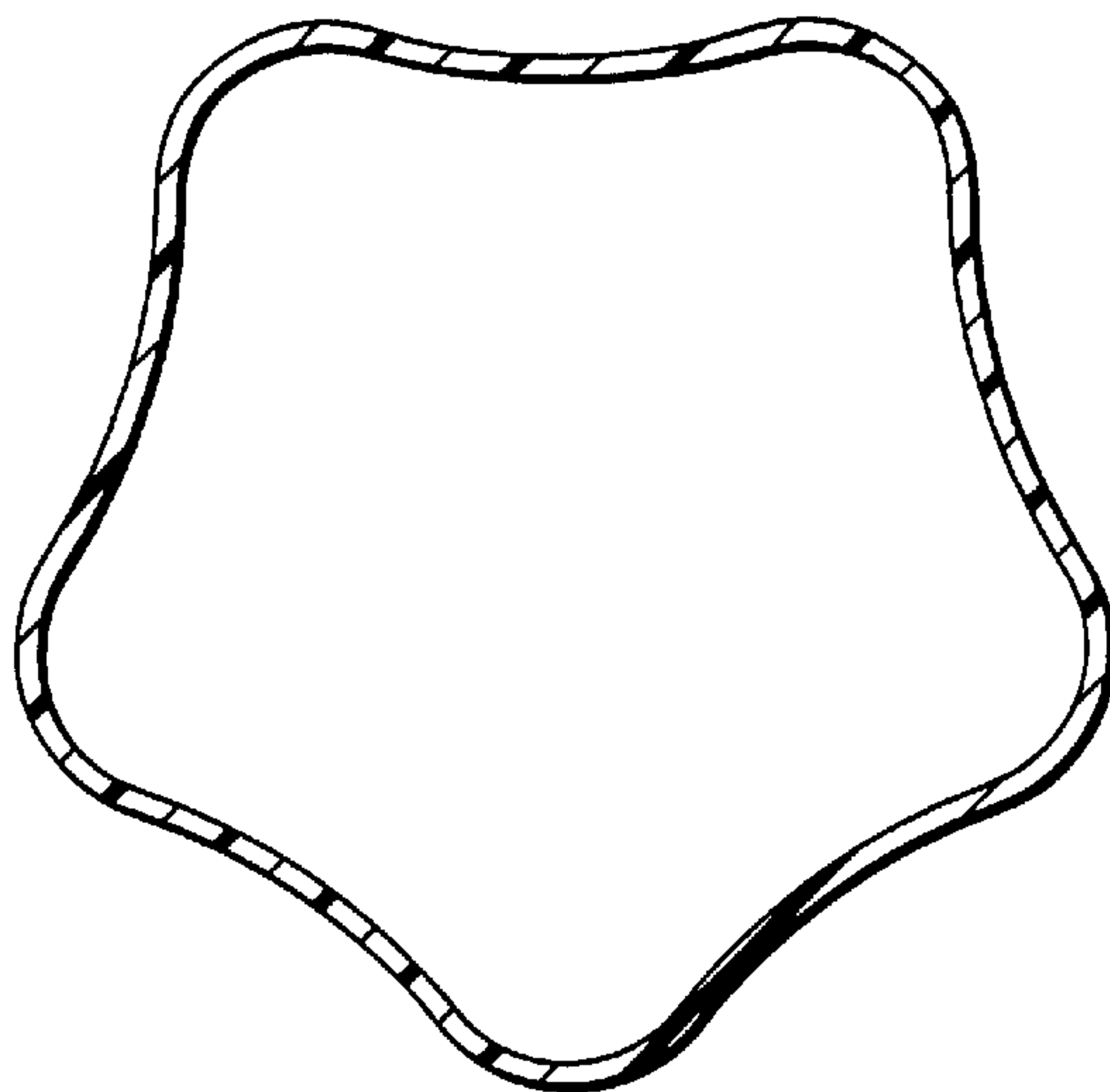


FIG. 8