



US00D45990S

(12) **United States Design Patent**
Young et al.

(10) **Patent No.: US D459,990 S**

(45) **Date of Patent: ** Jul. 9, 2002**

(54) **NESTED CONTAINERS**

(75) Inventors: **William C. Young**, Ypsilanti, MI (US);
Richard C. Darr, Medina, OH (US);
William A. Slat, Brooklyn, MI (US)

(73) Assignee: **Plastipak Packaging, Inc.**, Plymouth,
MI (US)

(**) Term: **14 Years**

(21) Appl. No.: **29/120,887**

(22) Filed: **Mar. 28, 2000**

(51) **LOC (7) Cl.** **09-03**

(52) **U.S. Cl.** **D9/347; D9/516; D9/530;**
D9/543

(58) **Field of Search** **D9/516, 500, 502,**
D9/503, 530, 531, 537, 539, 540, 543,
549, 557, 570, 575, 337, 444, 454, 341;
215/381-384, 396, 398, 10, 6; 206/504;
220/23.4, 23.86; 222/142.9

(56) **References Cited**

U.S. PATENT DOCUMENTS

| | | | | | |
|-------------|---|---------|--------------|-------|--------|
| D196,940 S | * | 11/1963 | Adams et al. | | D9/531 |
| D240,018 S | * | 5/1976 | Reynolds | | D9/500 |
| 4,003,491 A | | 1/1977 | Wells et al. | | |
| 4,165,812 A | | 8/1979 | Jennison | | |
| 4,235,343 A | | 11/1980 | Thompson | | |
| 4,381,841 A | | 5/1983 | Schwarz | | |
| D280,599 S | * | 9/1985 | Green | | D9/341 |
| 4,592,478 A | | 6/1986 | Laconis | | |
| 4,685,565 A | | 8/1987 | Sparling | | |
| 4,708,253 A | | 11/1987 | Mednis | | |
| D303,087 S | * | 8/1989 | Gendron | | D9/531 |

| | | | | | |
|--------------|---|---------|-----------------|-------|-----------|
| D306,967 S | * | 4/1990 | Matsuura et al. | | D9/502 |
| 4,950,083 A | * | 8/1990 | Bavaveas | | 215/398 X |
| 5,123,460 A | * | 6/1992 | Reed | | 215/382 X |
| 5,135,116 A | | 8/1992 | Panzetti | | |
| D333,263 S | * | 2/1993 | Markuzov | | D9/341 |
| 5,316,159 A | | 5/1994 | Douglas et al. | | |
| 5,447,245 A | * | 9/1995 | Merhar | | 215/6 |
| 5,669,519 A | | 9/1997 | Notz et al. | | |
| D392,188 S | * | 3/1998 | Darr et al. | | D9/520 |
| 5,996,825 A | | 12/1999 | Gordon et al. | | |
| D439,156 S | * | 3/2001 | Hall et al. | | D9/341 |
| 6,206,218 B1 | * | 3/2001 | Young et al. | | 220/23.4 |

* cited by examiner

Primary Examiner—Ted Shooman

Assistant Examiner—Carol Rademaker

(74) *Attorney, Agent, or Firm*—Bachman & LaPointe, P.C.

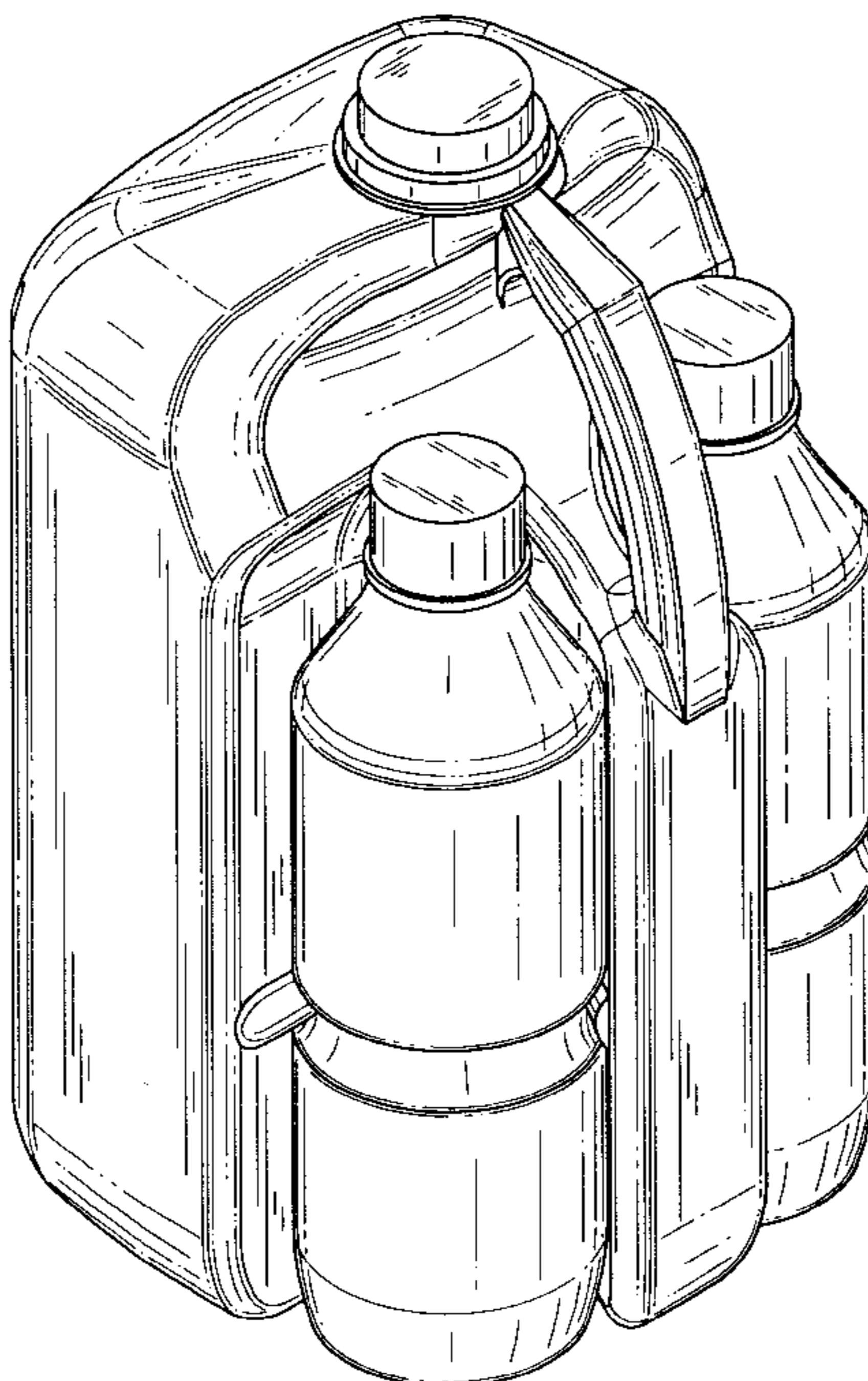
(57) **CLAIM**

The ornamental design for nested containers, as shown and described.

DESCRIPTION

FIG. 1 is a perspective view of the nested containers embodying the design of the present invention;
FIG. 2 is a front elevation view of the nested containers of FIG. 1;
FIG. 3 is a back elevation view of the nested containers of FIG. 1;
FIG. 4 is a top plan view of the nested containers of FIG. 1;
FIG. 5 is a bottom plan view of the nested containers of FIG. 1; and,
FIG. 6 is a side elevation view of the nested containers of FIG. 1.

1 Claim, 3 Drawing Sheets



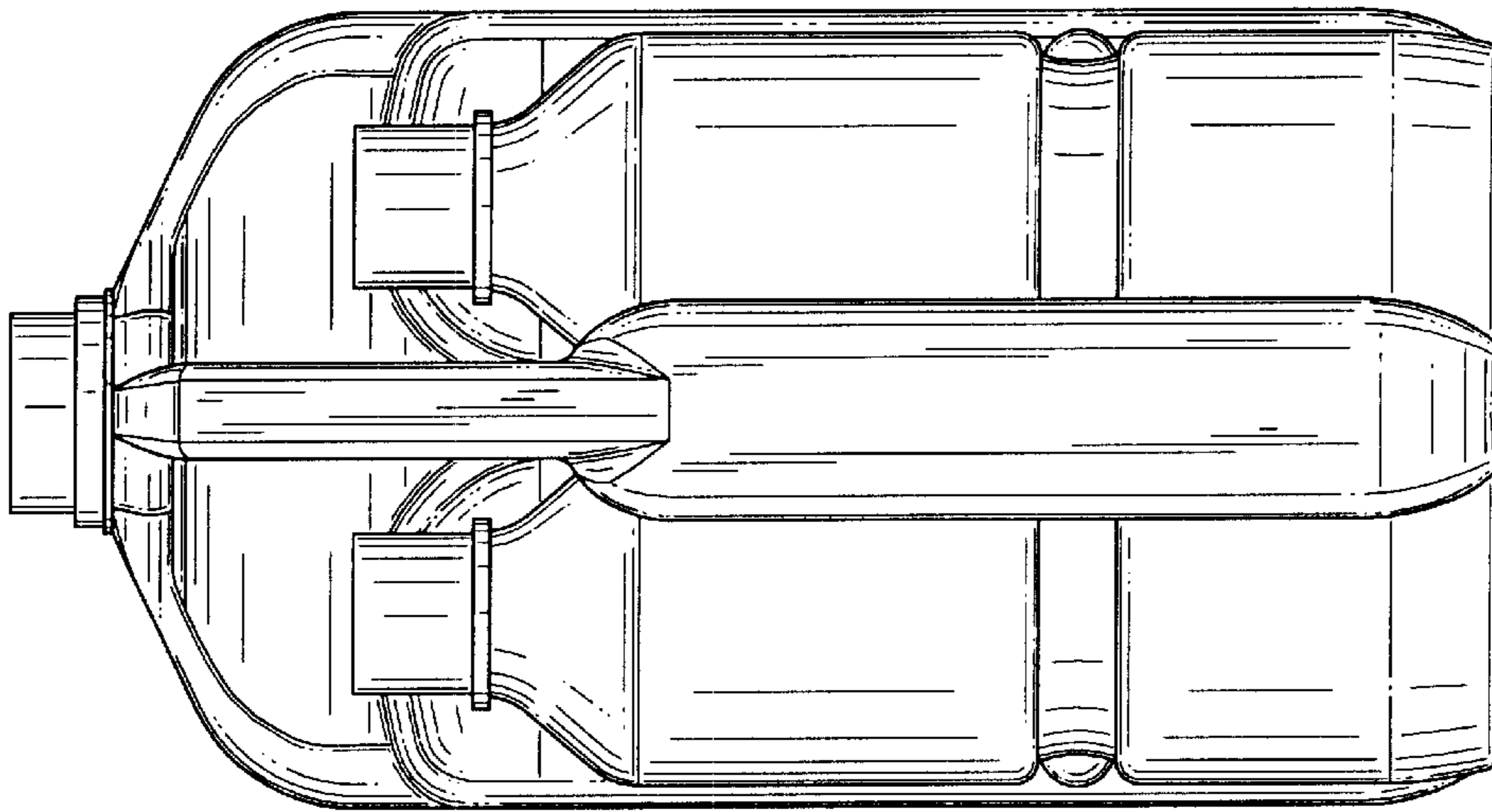


FIG. 1

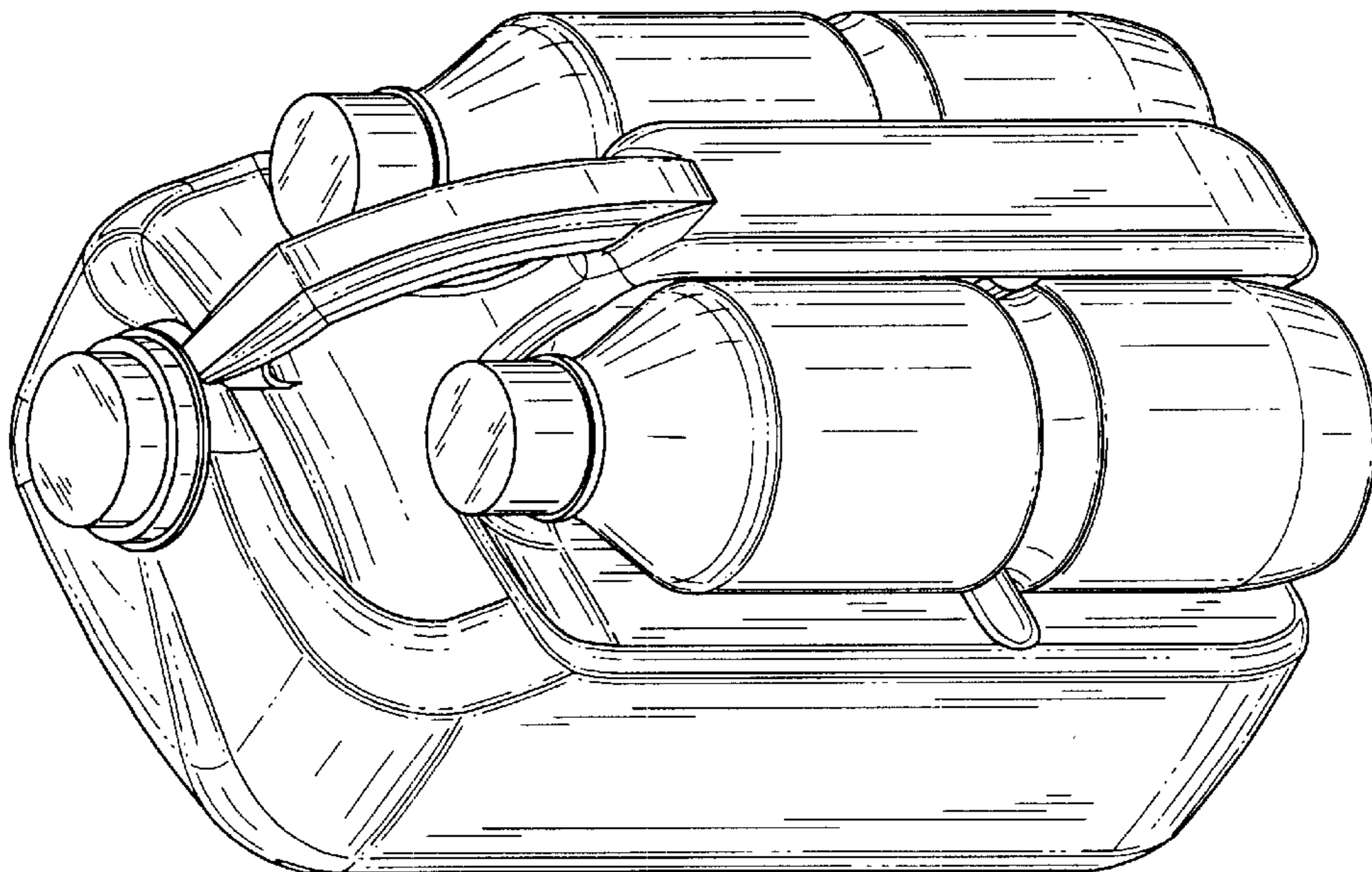


FIG. 2

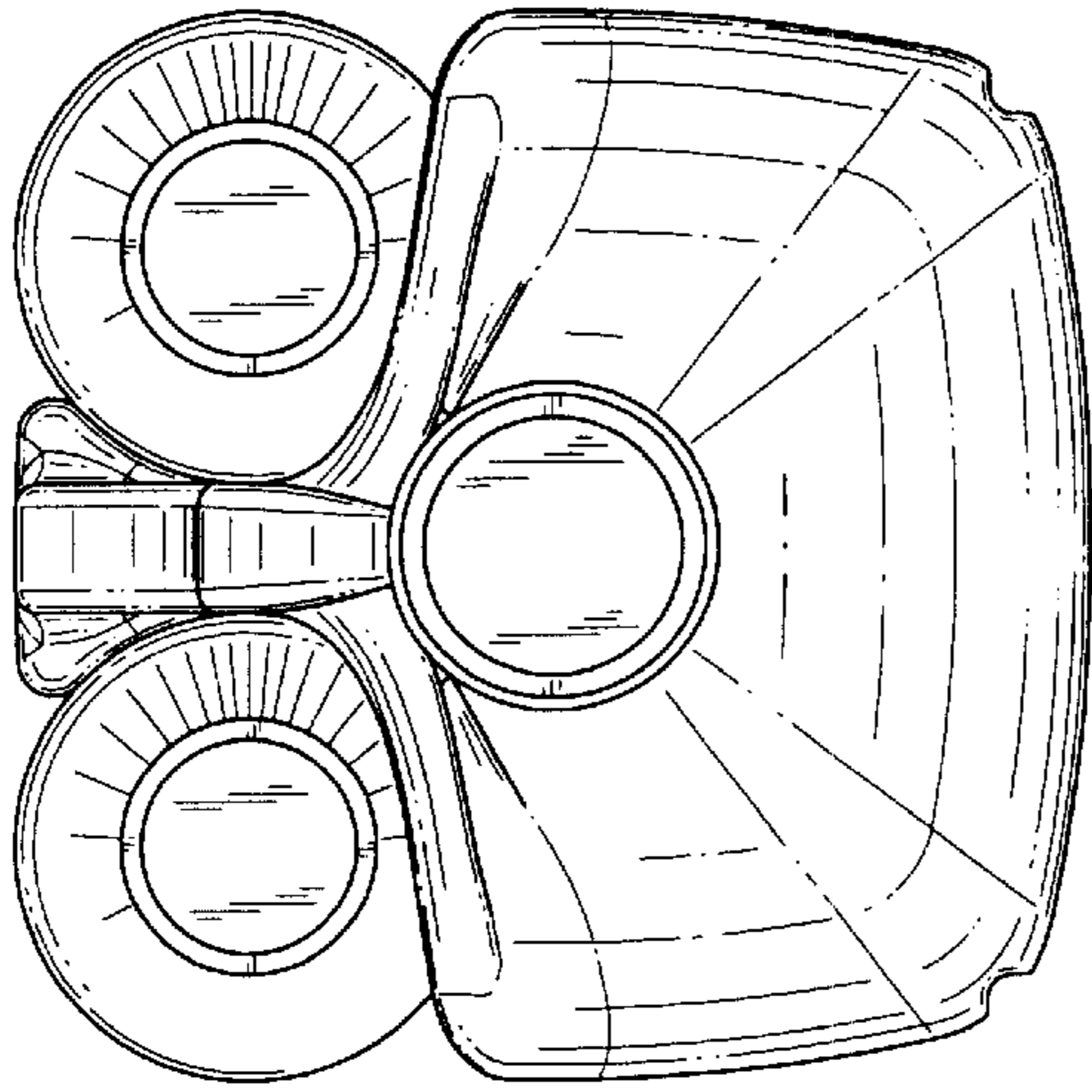


FIG. 4

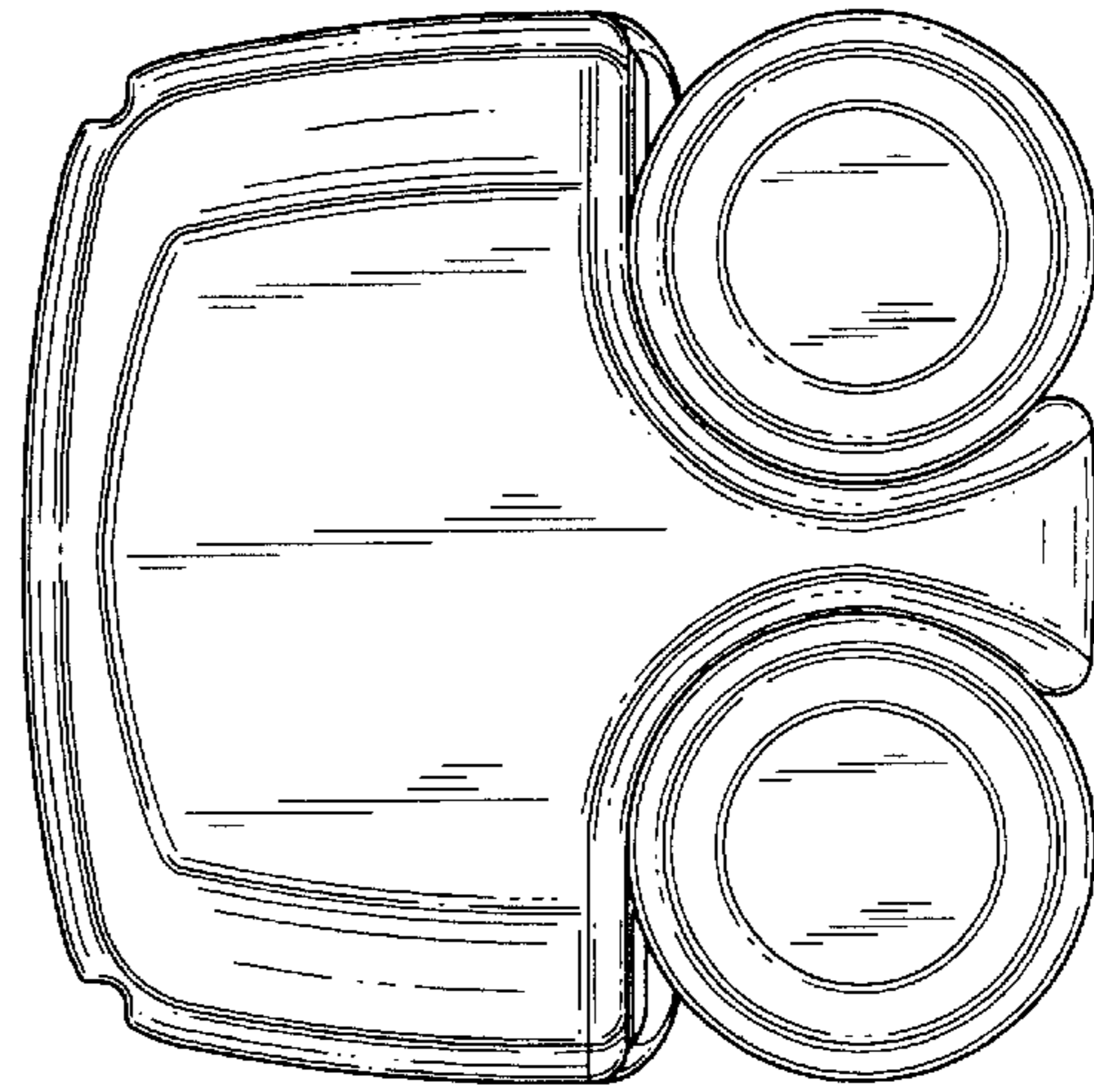


FIG. 5



FIG. 3

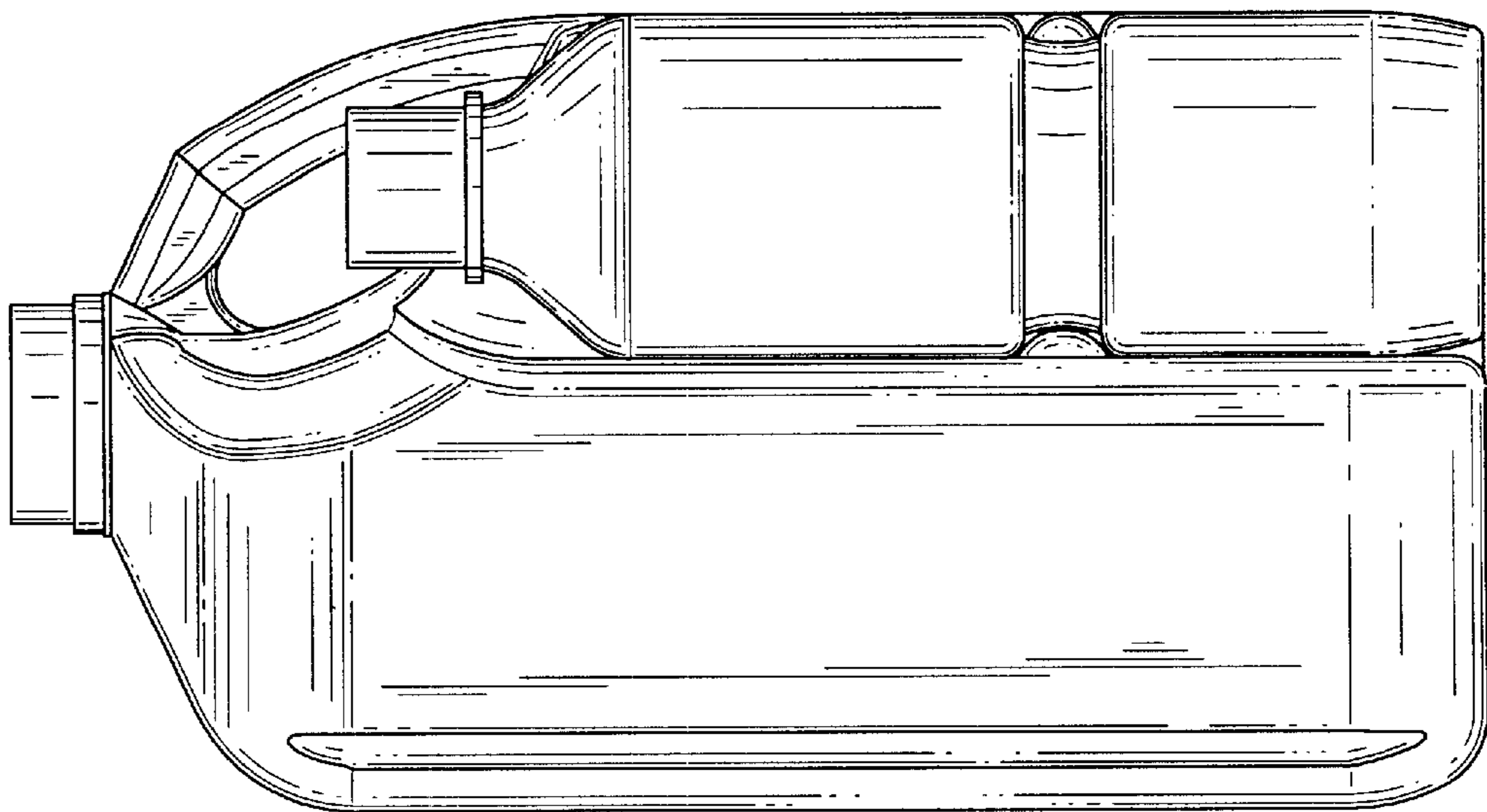


FIG. 6