



US00D459983S

(12) **United States Design Patent**  
**Hayakawa**

(10) **Patent No.:** **US D459,983 S**

(45) **Date of Patent:** **\*\* Jul. 9, 2002**

(54) **DOOR STAY FOR FURNITURE**

(75) Inventor: **Tatsuya Hayakawa, Chiba (JP)**

(73) Assignee: **Sugatsune Kogyo Co., Ltd. (JP)**

(\*\*) Term: **14 Years**

(21) Appl. No.: **29/132,281**

(22) Filed: **Nov. 6, 2000**

(51) **LOC (7) Cl.** ..... **08-08**

(52) **U.S. Cl.** ..... **D8/402**

(58) **Field of Search** ..... D8/400, 402, 499;  
16/339, 342, 345

(56) **References Cited**

**U.S. PATENT DOCUMENTS**

4,555,829 A	*	12/1985	Davis	.....	16/342
4,833,754 A	*	5/1989	Yang	.....	16/339
D376,098 S	*	12/1996	Bucher	.....	D8/400

**FOREIGN PATENT DOCUMENTS**

JP	919940	2/1995
JP	919941	2/1996
JP	970099	12/1996

\* cited by examiner

*Primary Examiner*—Brian N. Vinson

(74) *Attorney, Agent, or Firm*—Eugene Stephens & Associates

(57) **CLAIM**

The ornamental design for a door stay for furniture, as shown and described.

**DESCRIPTION**

The door stay for furniture in this application is used mainly to maintain the opening state of a door of furniture.

FIG. 1 is a plane view.

FIG. 2 is a front view.

FIG. 3 is a back view.

FIG. 4 is a bottom view.

FIG. 5 is a right side view.

FIG. 6 is a left side view.

FIG. 7 is a reduced front elevational view thereof, showing the stay in use with an open door; and,

FIG. 8 is a reduced front elevational view thereof, showing the stay in use with an closed door.

The broken-line disclosure of a portion of furniture in FIGS. 7 and 8 is for illustrative purposes only and forms no part of the claimed design.

When the door is closed, the door stay is bent as shown in FIG. 8. When the door is open, the stay is straight as shown in FIG. 7.

**1 Claim, 2 Drawing Sheets**

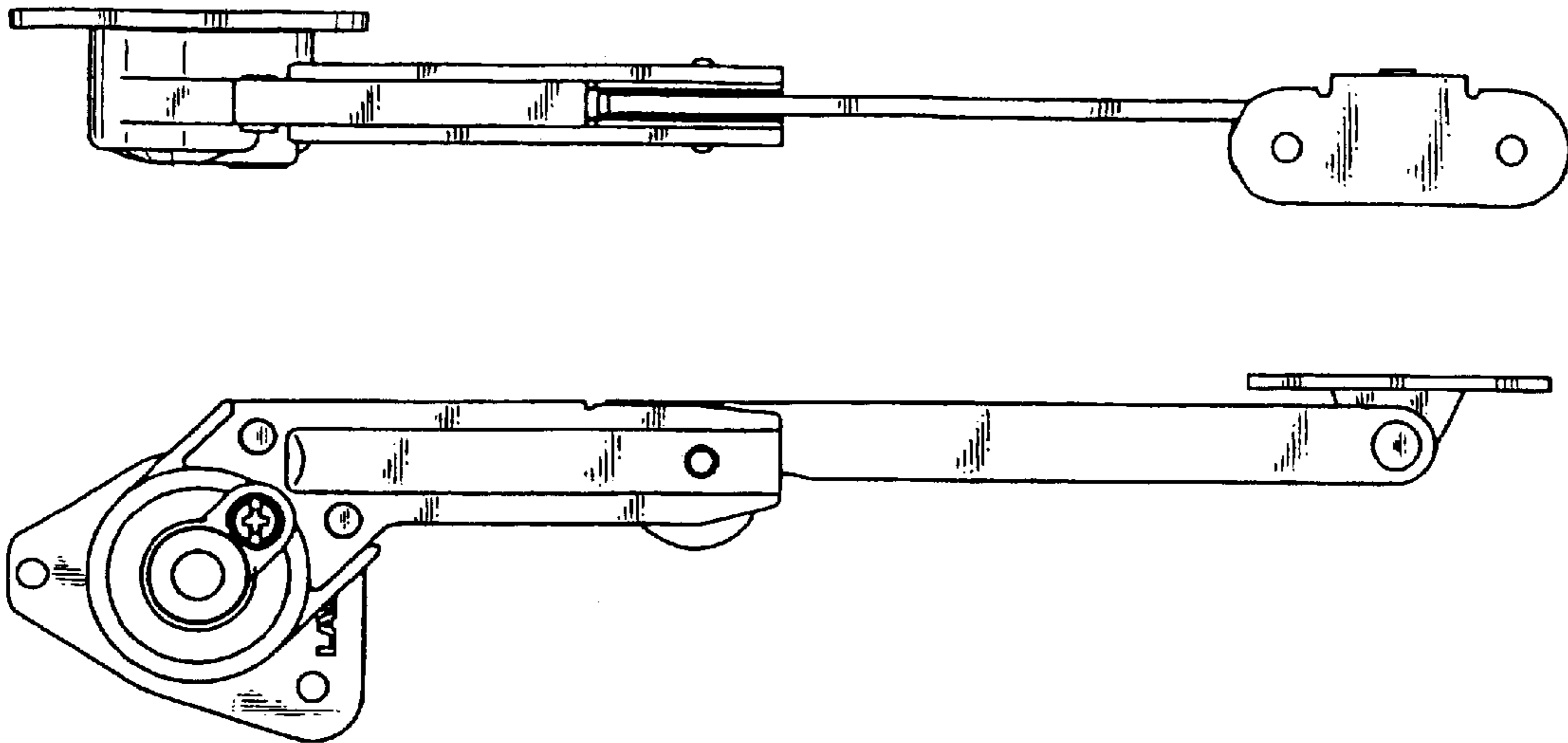


FIG. 1

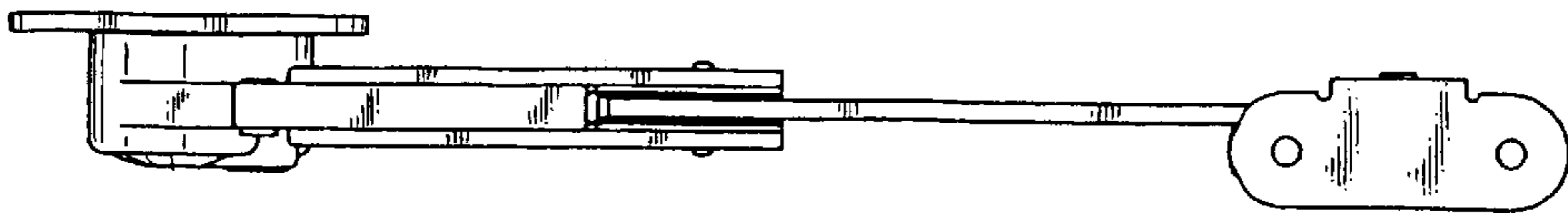


FIG. 2

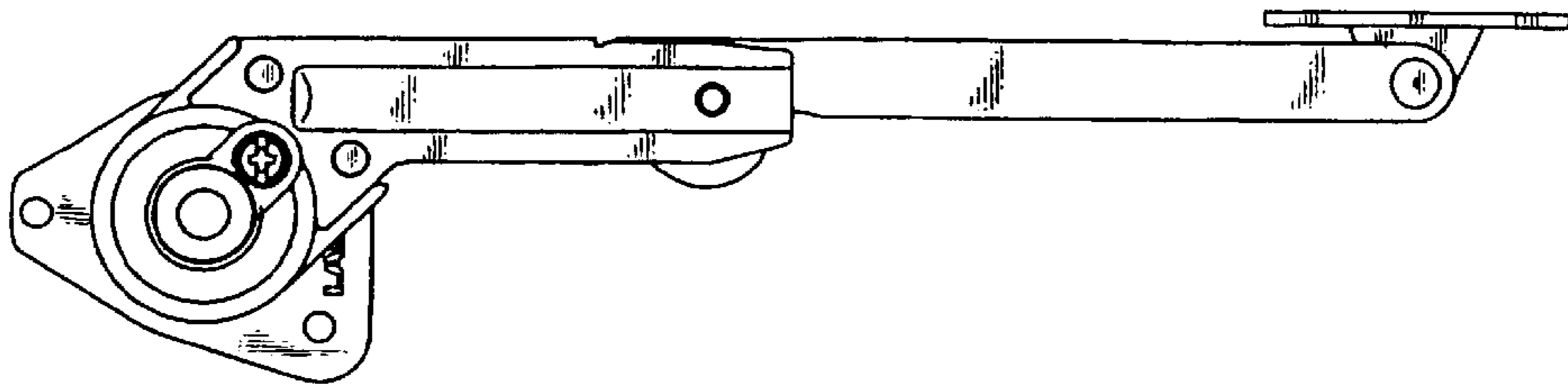


FIG. 3

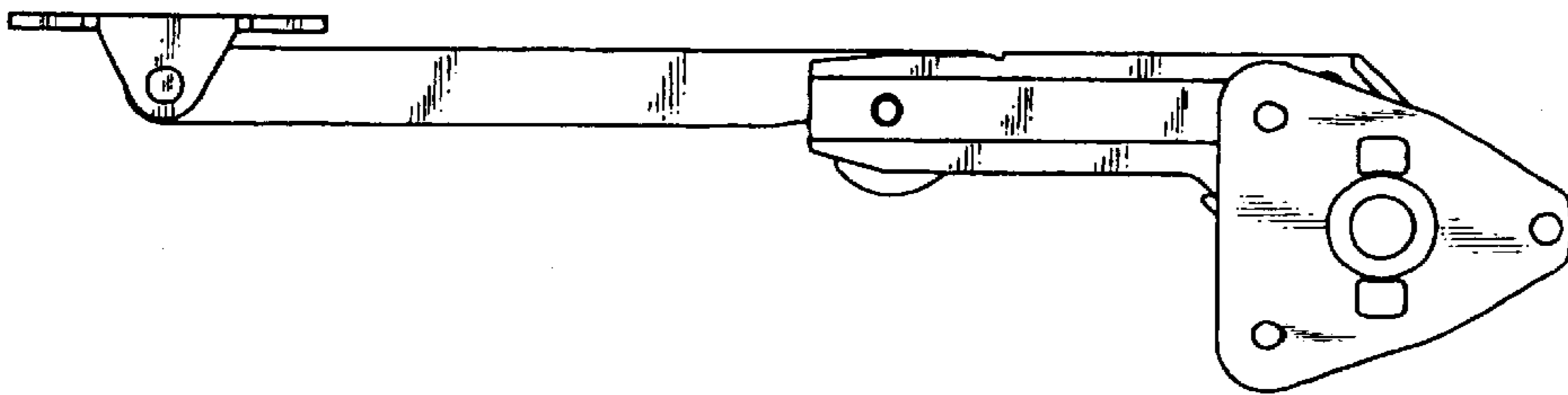


FIG. 4

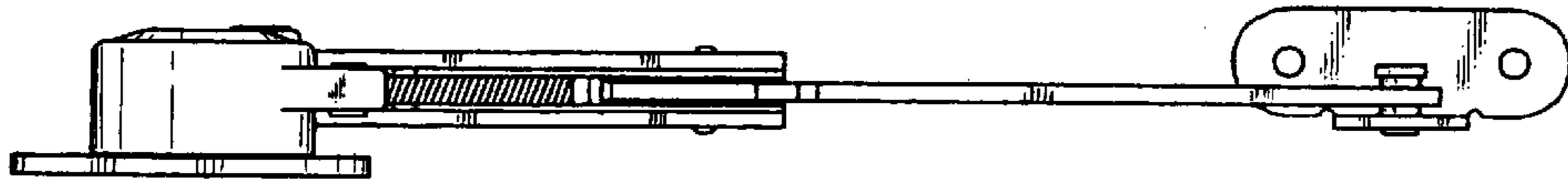


FIG. 5

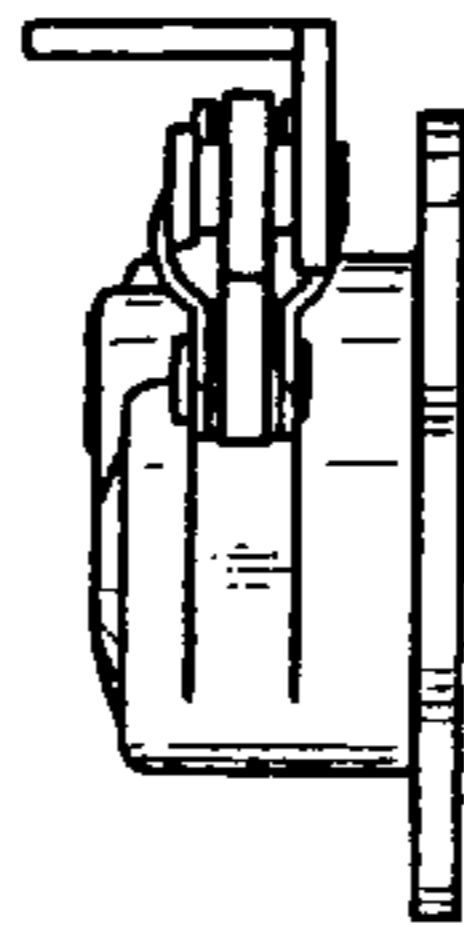


FIG. 6

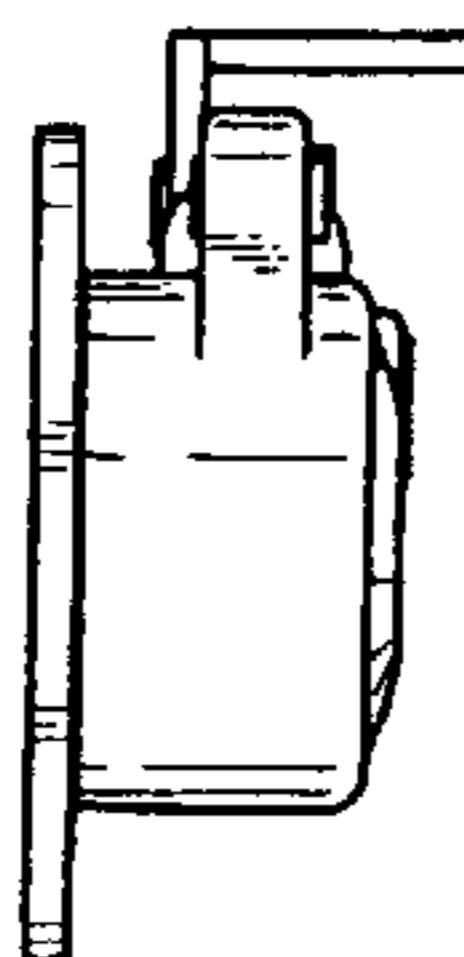


FIG. 7

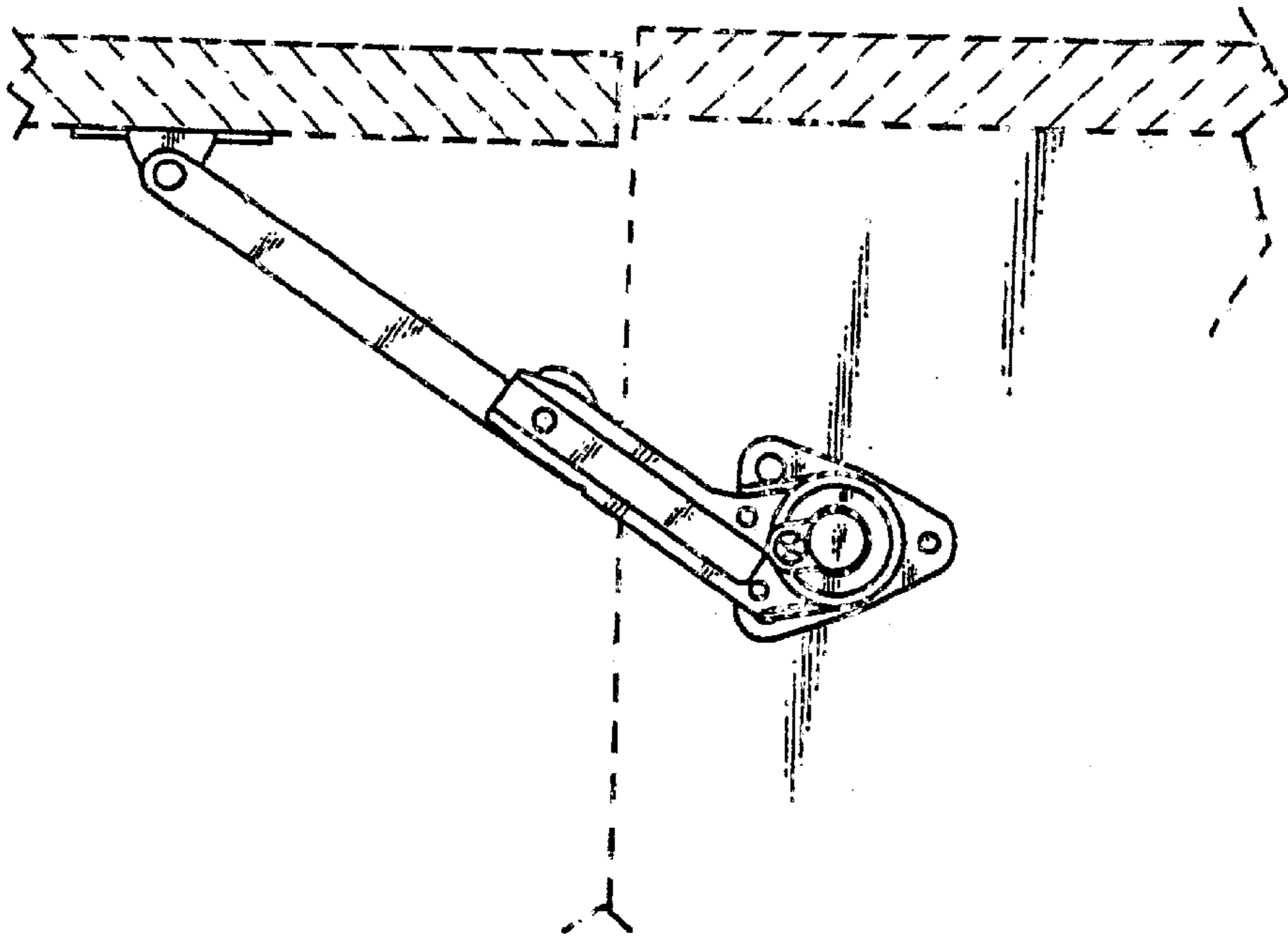


FIG. 8

