



US00D459977S

(12) **United States Design Patent**
Byrnes et al.

(10) **Patent No.:** **US D459,977 S**

(45) **Date of Patent:** **** Jul. 9, 2002**

(54) **GUIDEWIRE RETENTION CLIP**

(75) Inventors: **Raymond A. Byrnes**, Coventry; **Robert A. DiPetrillo**, Narragansett, both of RI (US)

(73) Assignee: **Contech Packaging, Inc.**, Providence, RI (US)

(**) Term: **14 Years**

(21) Appl. No.: **29/149,241**

(22) Filed: **Oct. 5, 2001**

(51) **LOC (7) Cl.** **08-05**

(52) **U.S. Cl.** **D8/357**

(58) **Field of Search** D8/349, 354, 356, D8/357, 358, 359, 396; 191/12.2 R; 24/3.12; 248/68.1, 74.1, 74.2, 74.3, 74.4; 242/405

(56) **References Cited**

U.S. PATENT DOCUMENTS

3,856,244	A	*	12/1974	Menshen	248/68.1
4,224,721	A	*	9/1980	Ohlson	248/68.1
4,244,544	A	*	1/1981	Kornat	248/74.2
4,467,988	A	*	8/1984	Kraus	248/74.1
4,550,891	A	*	11/1985	Schaty	248/68.1
5,113,717	A	*	5/1992	Plamper	248/74.1
5,234,185	A	*	8/1993	Hoffman et al.	248/68.1
5,366,444	A	*	11/1994	Martin	242/405
D376,309	S	*	12/1996	Takai	D8/356
5,588,683	A	*	12/1996	Schliessner	248/74.2

5,615,852	A	*	4/1997	Heidorn et al.	248/68.1
D406,749	S	*	3/1999	Selk	D8/356
5,992,802	A	*	11/1999	Campbell	248/68.1
D443,198	S	*	6/2001	Snyder	D8/356

* cited by examiner

Primary Examiner—Doris V. Coles

Assistant Examiner—Elizabeth A. Albert

(74) *Attorney, Agent, or Firm*—Nixon Peabody LLP

(57) **CLAIM**

The ornamental design of a guidewire retention clip, as shown and described.

DESCRIPTION

FIG. 1 is a right perspective view of one embodiment of a guidewire retention clip of this invention;

FIG. 2 is a top plan view of the FIG. 1 guidewire retention clip of the invention;

FIG. 3 is a front view of the FIG. 1 guidewire retention clip of the invention;

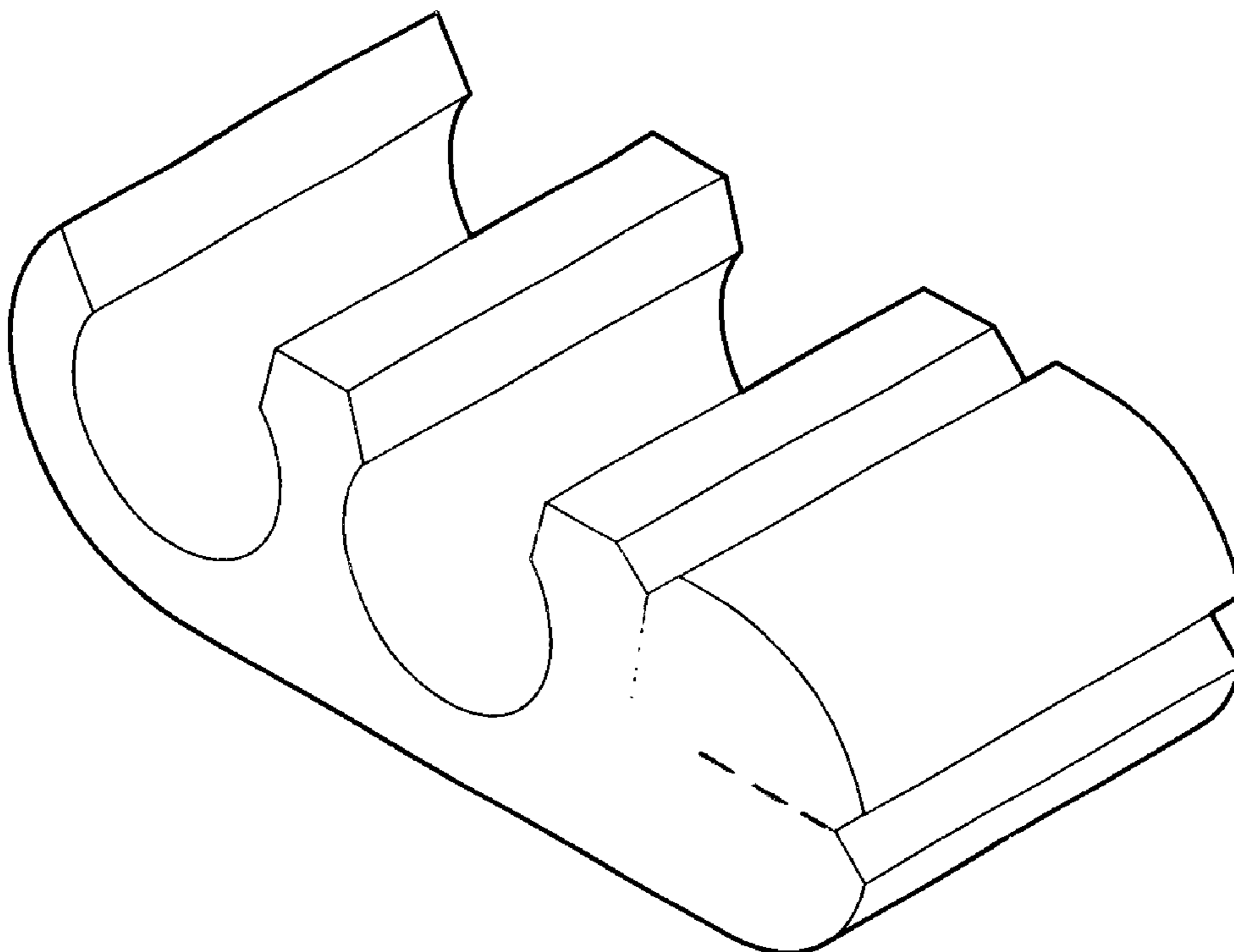
FIG. 4 is a right side elevation view of the FIG. 1 guidewire retention clip of the invention;

FIG. 5 is a left perspective view of one embodiment of the guidewire retention clip of this invention; and,

FIG. 6 is a back view of the FIG. 1 guidewire retention clip of the invention.

The broken lines are shown for illustrative purposes only and form no part of the claim.

1 Claim, 1 Drawing Sheet



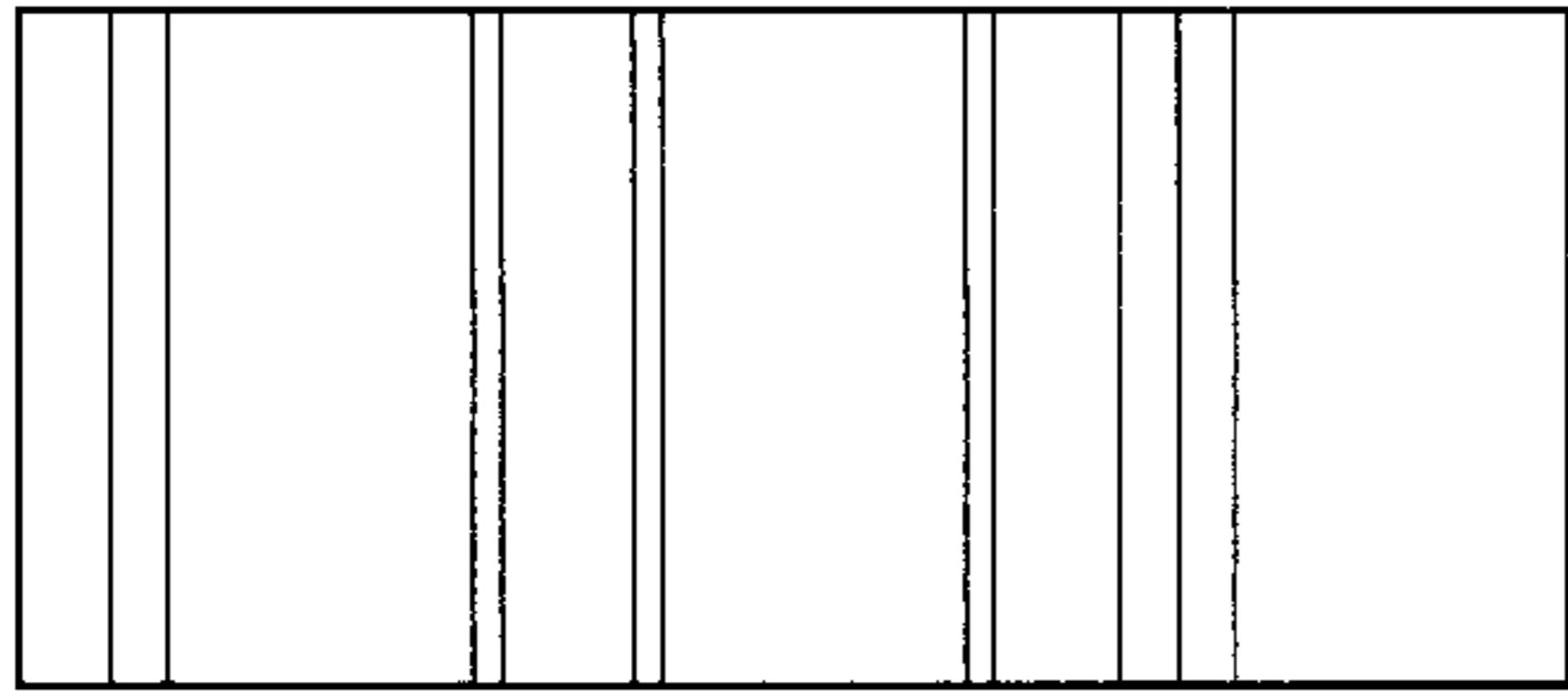


FIG. 2

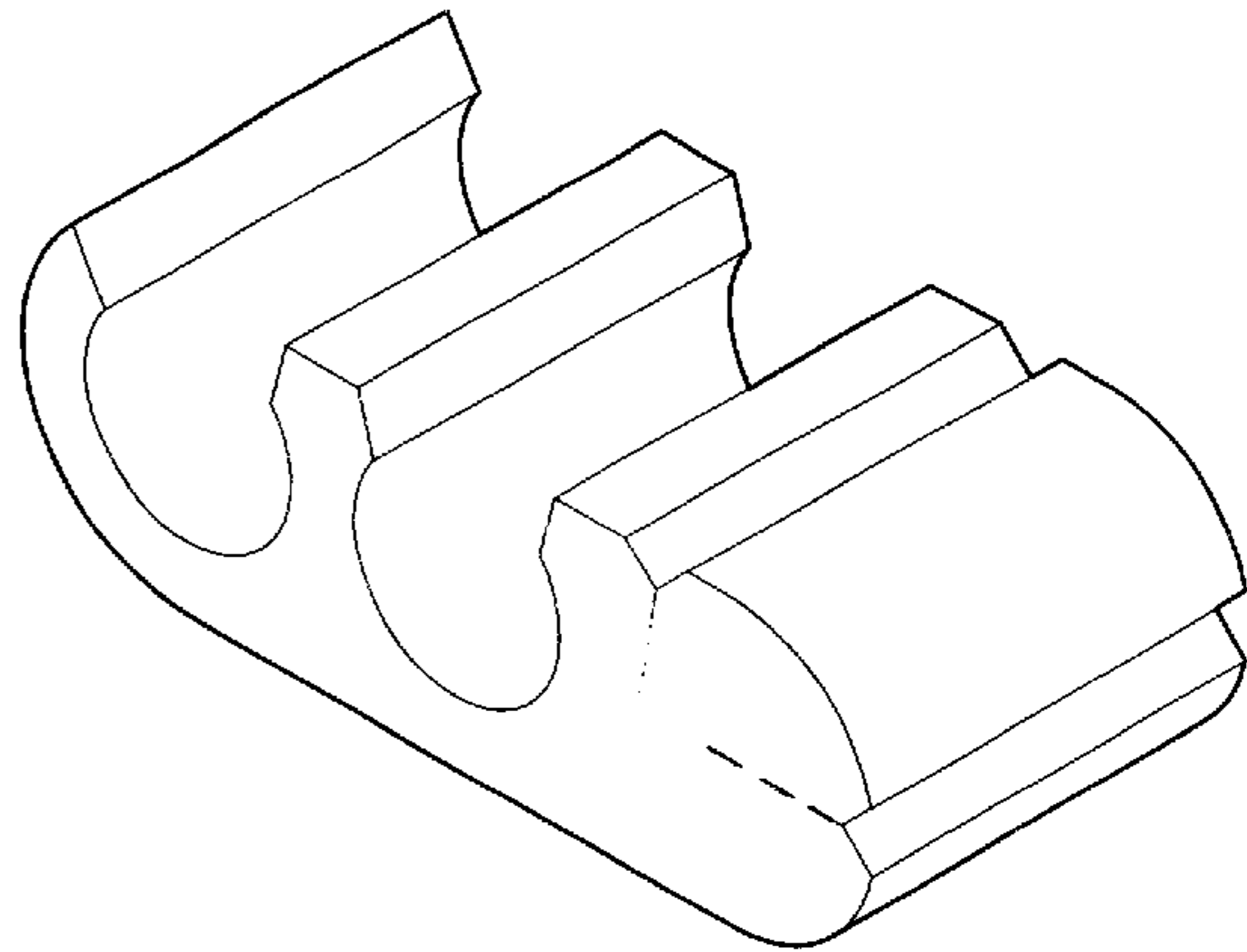


FIG. 1

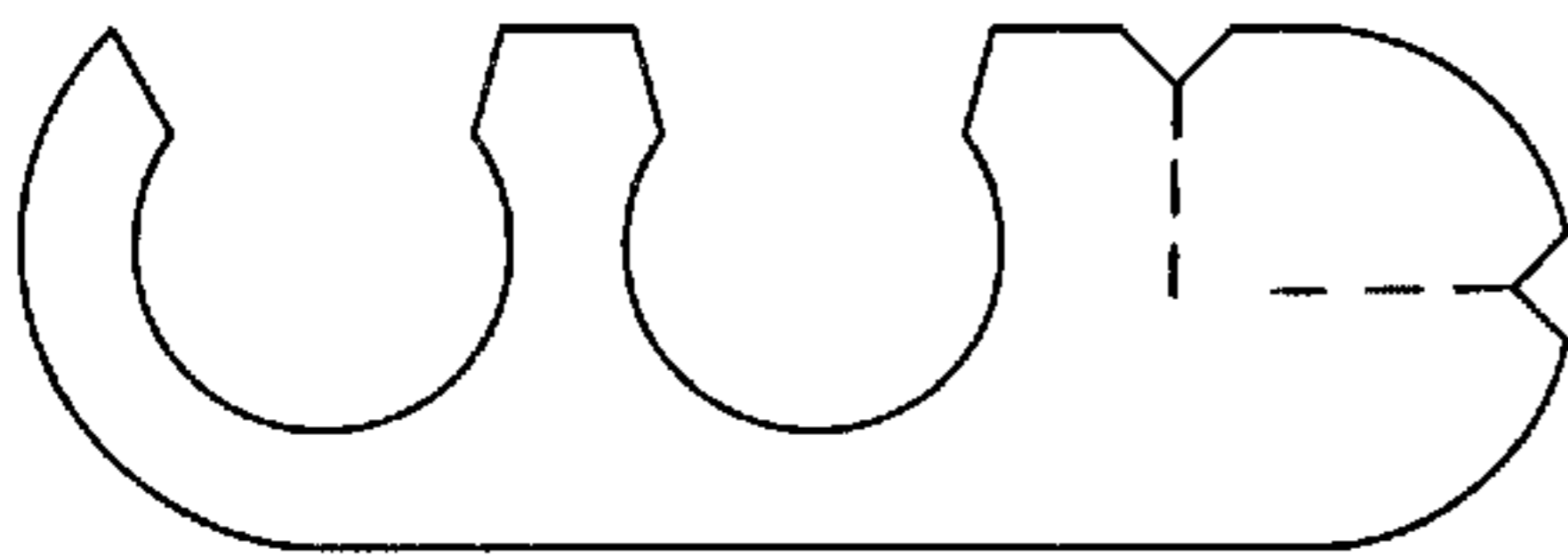


FIG. 3

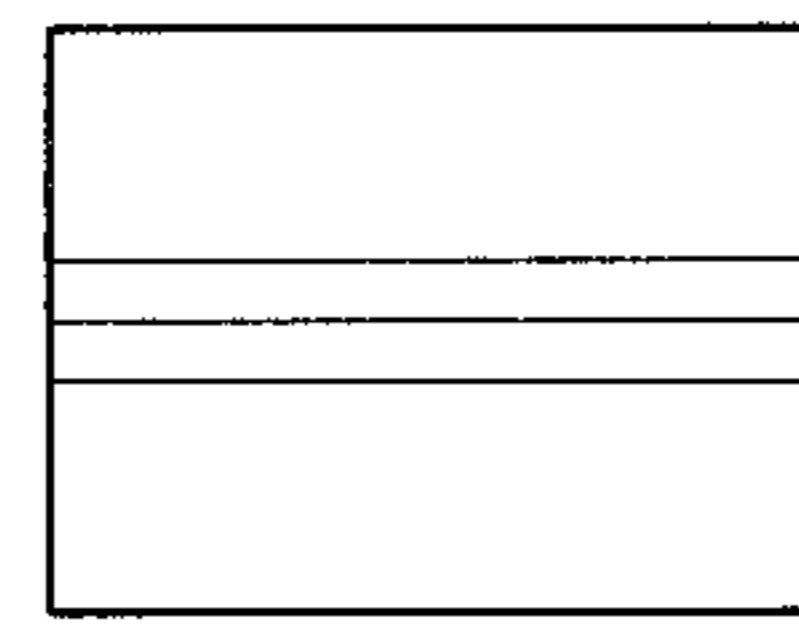


FIG. 4

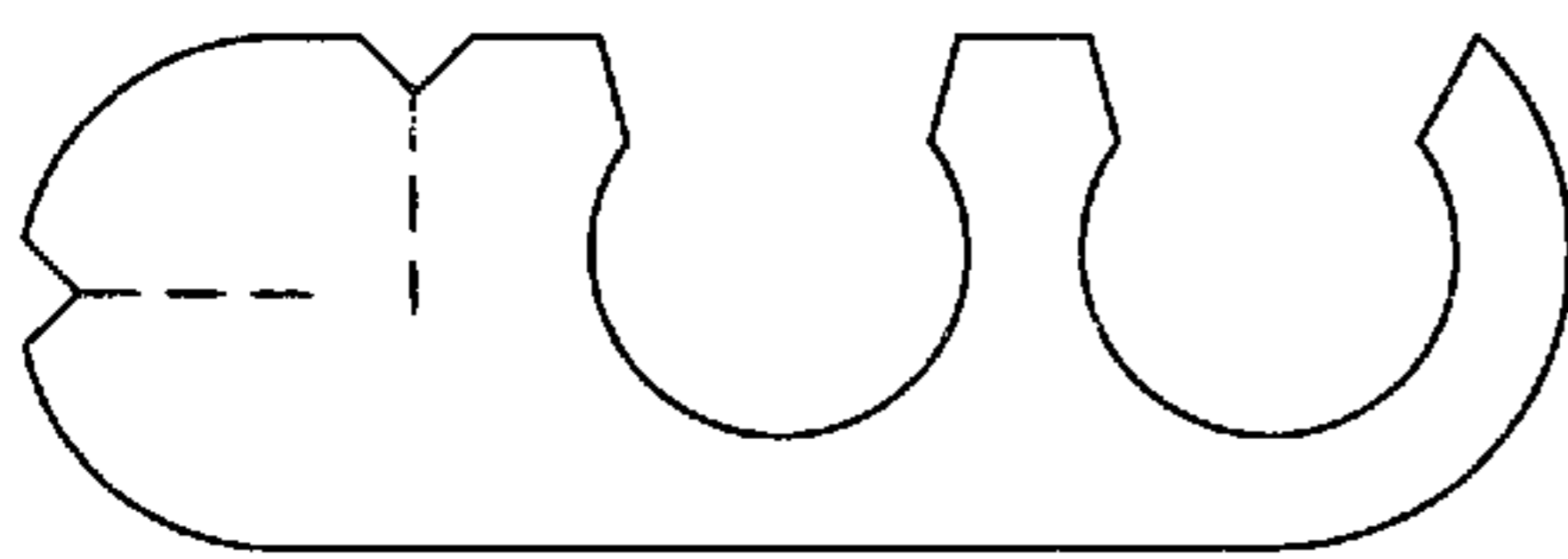


FIG. 6

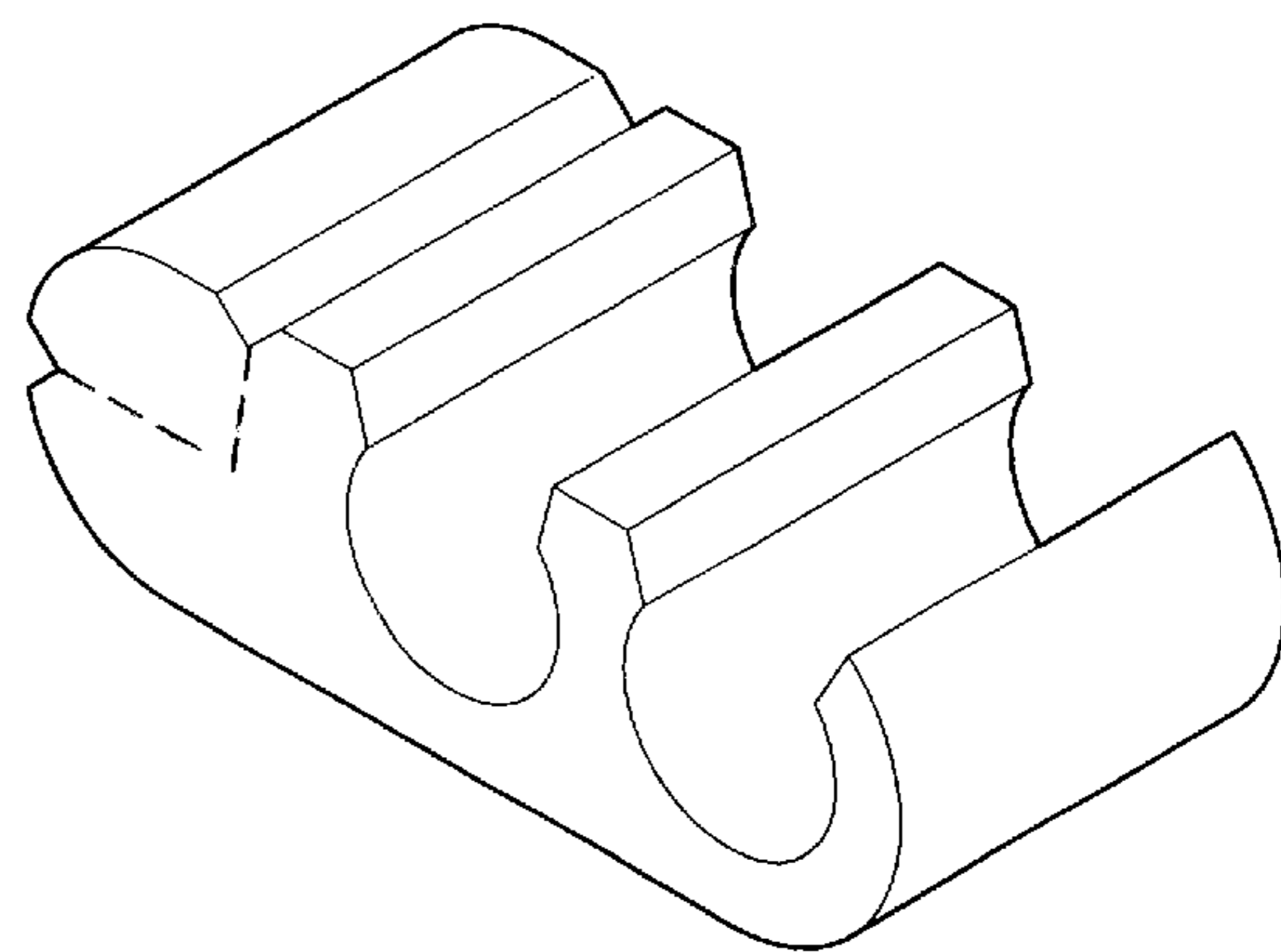


FIG. 5