



US00D459976S

(12) **United States Design Patent**
Franks

(10) **Patent No.:** **US D459,976 S**

(45) **Date of Patent:** **** Jul. 9, 2002**

(54) **DISTRIBUTING END RING**

(75) Inventor: **George J. Franks**, Inverness, IL (US)

(73) Assignee: **Senior Industries, Inc.**, Wood Dale, IL (US)

(**) Term: **14 Years**

(21) Appl. No.: **29/145,054**

(22) Filed: **Jul. 13, 2001**

(51) **LOC (7) Cl.** **08-05**

(52) **U.S. Cl.** **D8/356**

(58) **Field of Search** D8/333, 349, 354,
D8/355, 356, 367, 370, 382; 24/115 H,
115 K, 115 M, 115 R, 136 K, 136 L, 582.13,
583.11, 587.1, 588.11, 592.1, 594.11, 598.2,
599.1, 599.5, 599.6, 599.7, 599.8, 600.1,
600.3; D6/512; D12/203; D13/155; 248/49,
58, 65, 67.7, 68.1, 73, 205.1

(56) **References Cited**

U.S. PATENT DOCUMENTS

D243,926 S	*	4/1977	Dimiceli et al.	D8/364
D366,608 S	*	1/1996	Deschenes et al.	D8/382
5,704,797 A		1/1998	Meyerhoefer et al.	439/188
D391,839 S	*	3/1998	Viklund et al.	D8/356
6,044,194 A		3/2000	Meyerhoefer	385/134
D431,447 S	*	10/2000	Meyerhoefer	D8/356

OTHER PUBLICATIONS

Chatsworth Products, Inc. Catalog, pp. 124–127 (1999).
The Wiremold Company Catalog, pp. 1–11 (1998).

* cited by examiner

Primary Examiner—Doris V. Coles

Assistant Examiner—Elizabeth A. Albert

(74) *Attorney, Agent, or Firm*—Fitch, Even, Tabin & Flannery

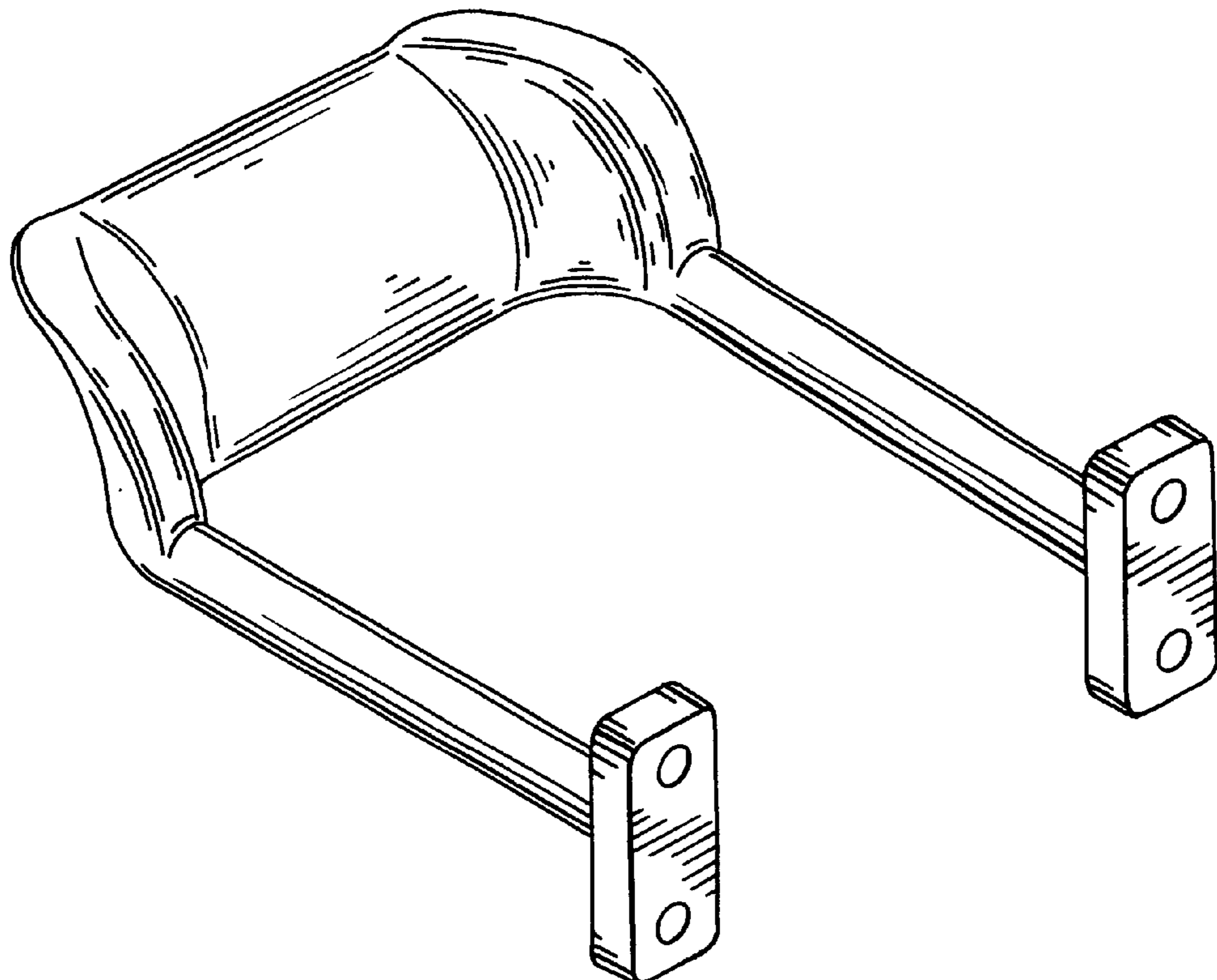
(57) **CLAIM**

I claim the ornamental design for a distributing end ring, as shown and described.

DESCRIPTION

FIG. 1 is a perspective view of a distributing end ring; FIG. 2 is a top view of the distributing end ring of FIG. 1; FIG. 3 is a front elevational view of the distributing end ring of FIG. 1; FIG. 4 is a left side elevational view of the distributing end ring of FIG. 1; FIG. 5 is a rear elevational view of the distributing end ring of FIG. 1; FIG. 6 is a right side elevational view of the distributing end ring of FIG. 1; and, FIG. 7 is a bottom view of the distributing end ring of FIG. 1.

1 Claim, 2 Drawing Sheets



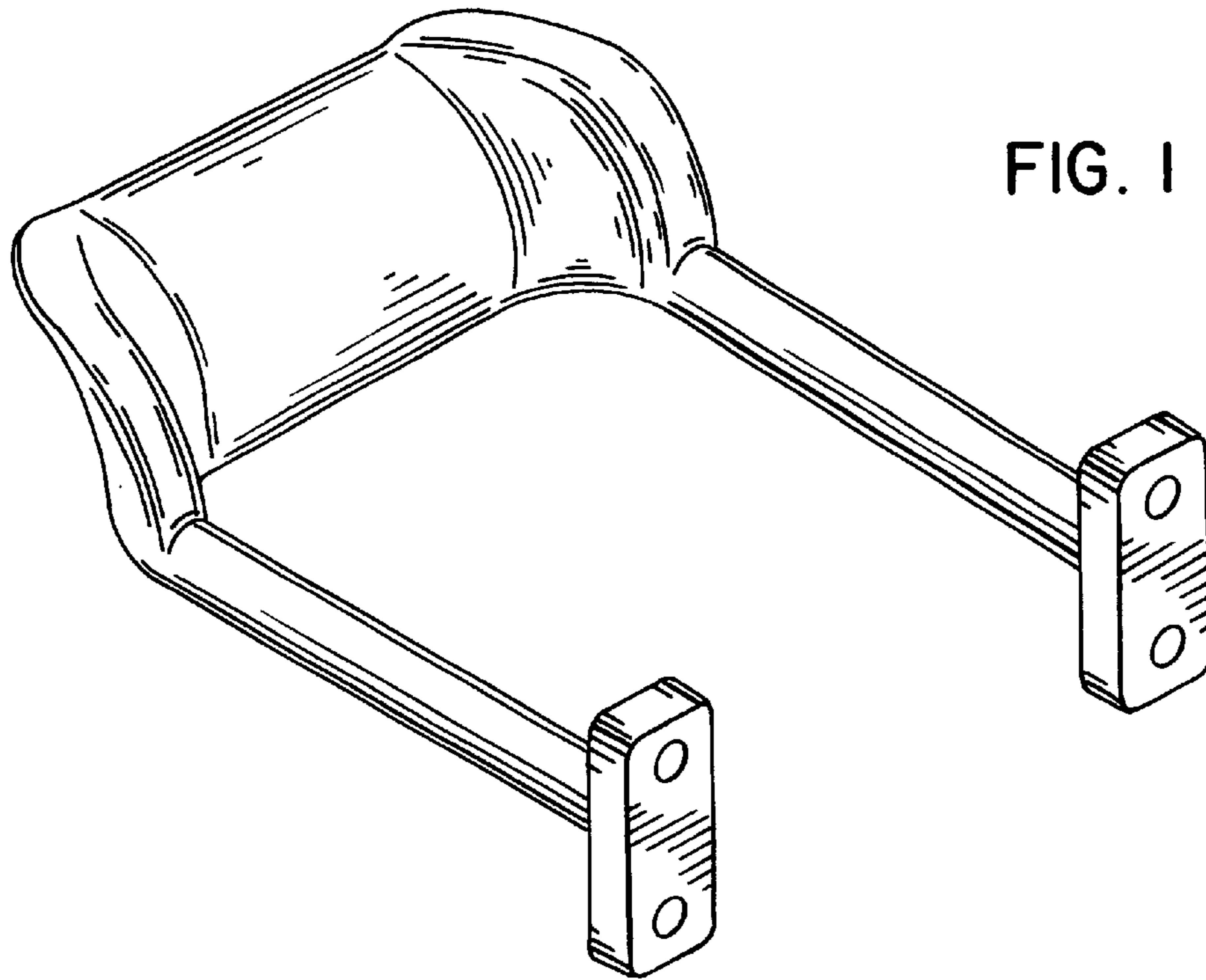


FIG. 1

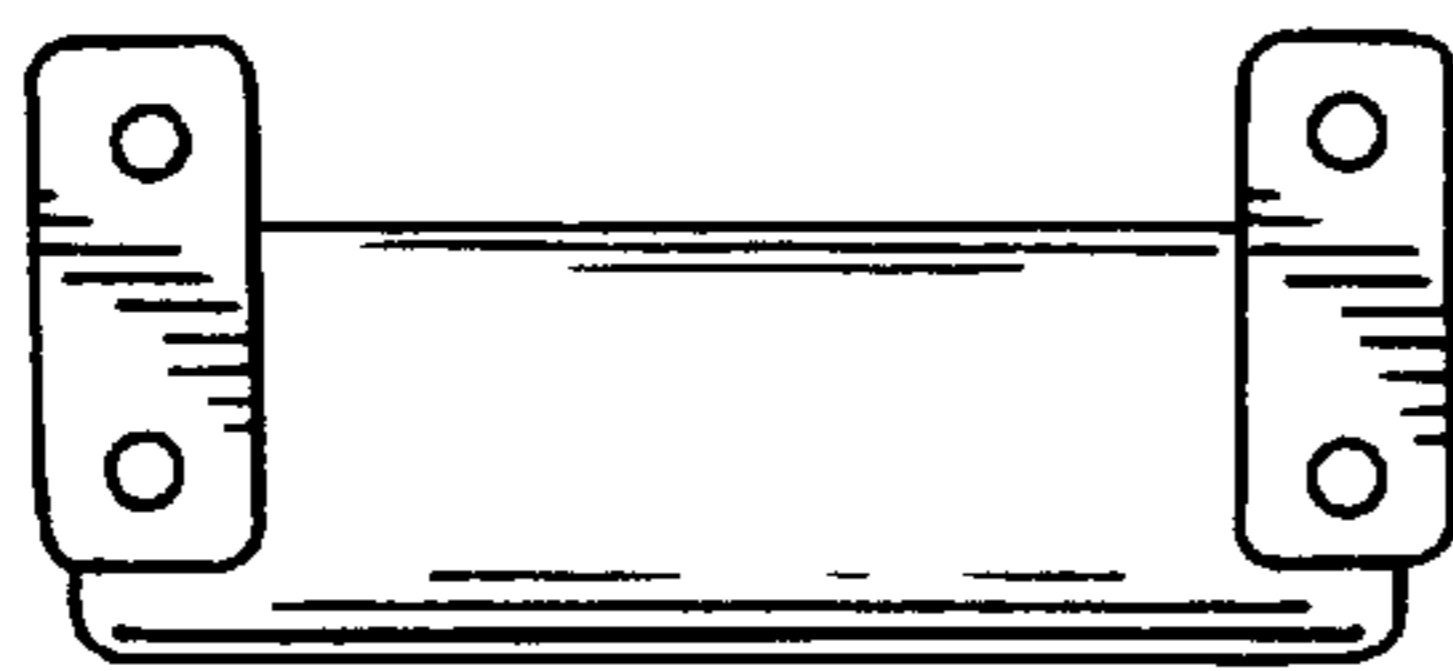


FIG. 2

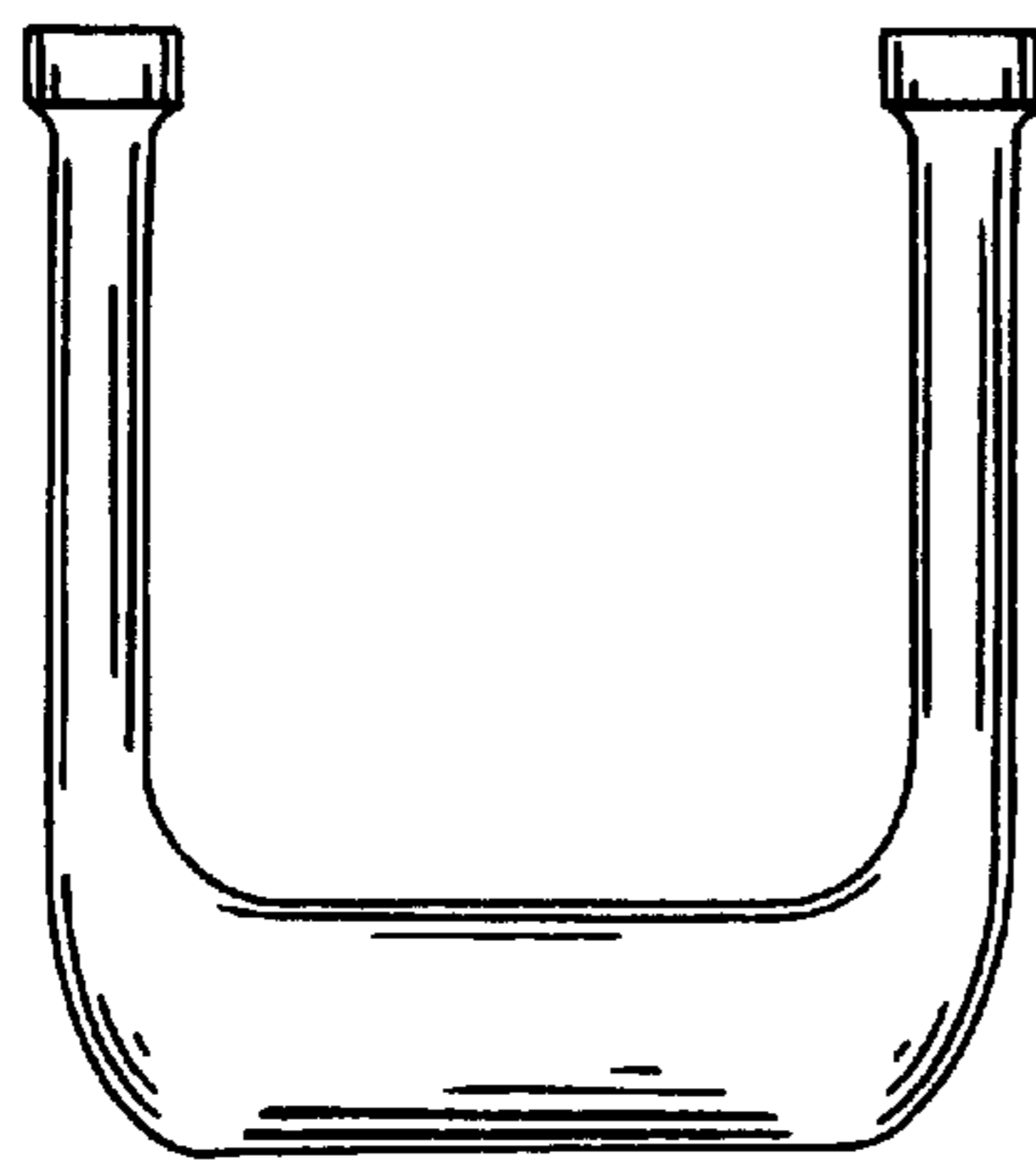


FIG. 3

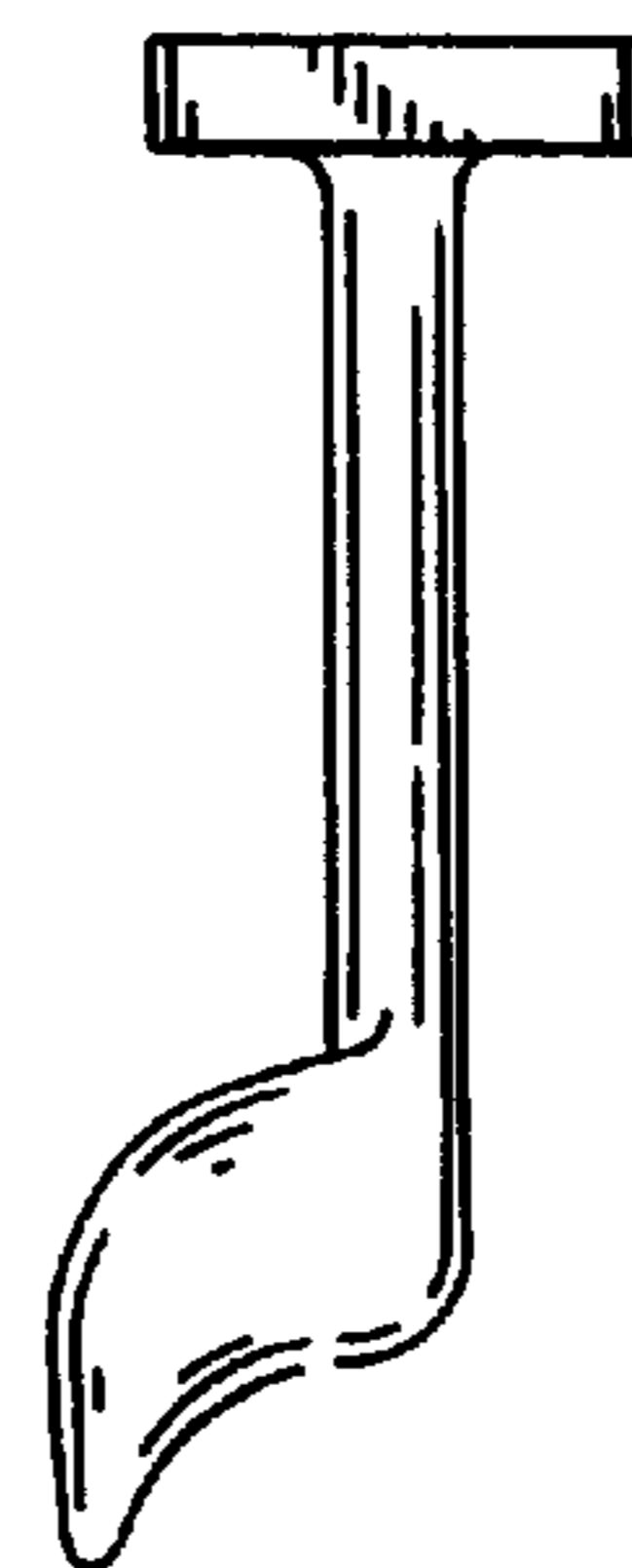


FIG. 4

FIG. 5

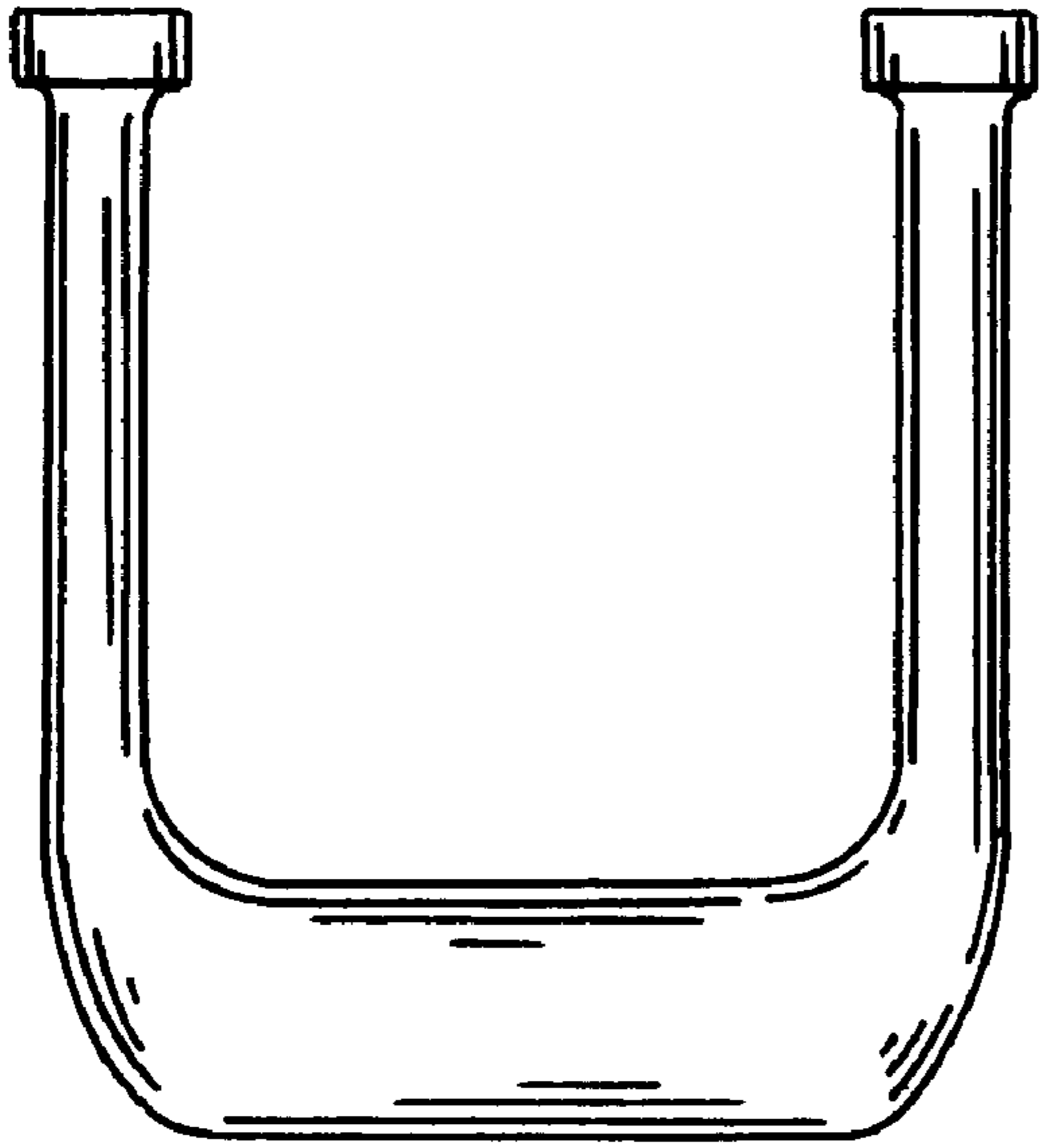


FIG. 6

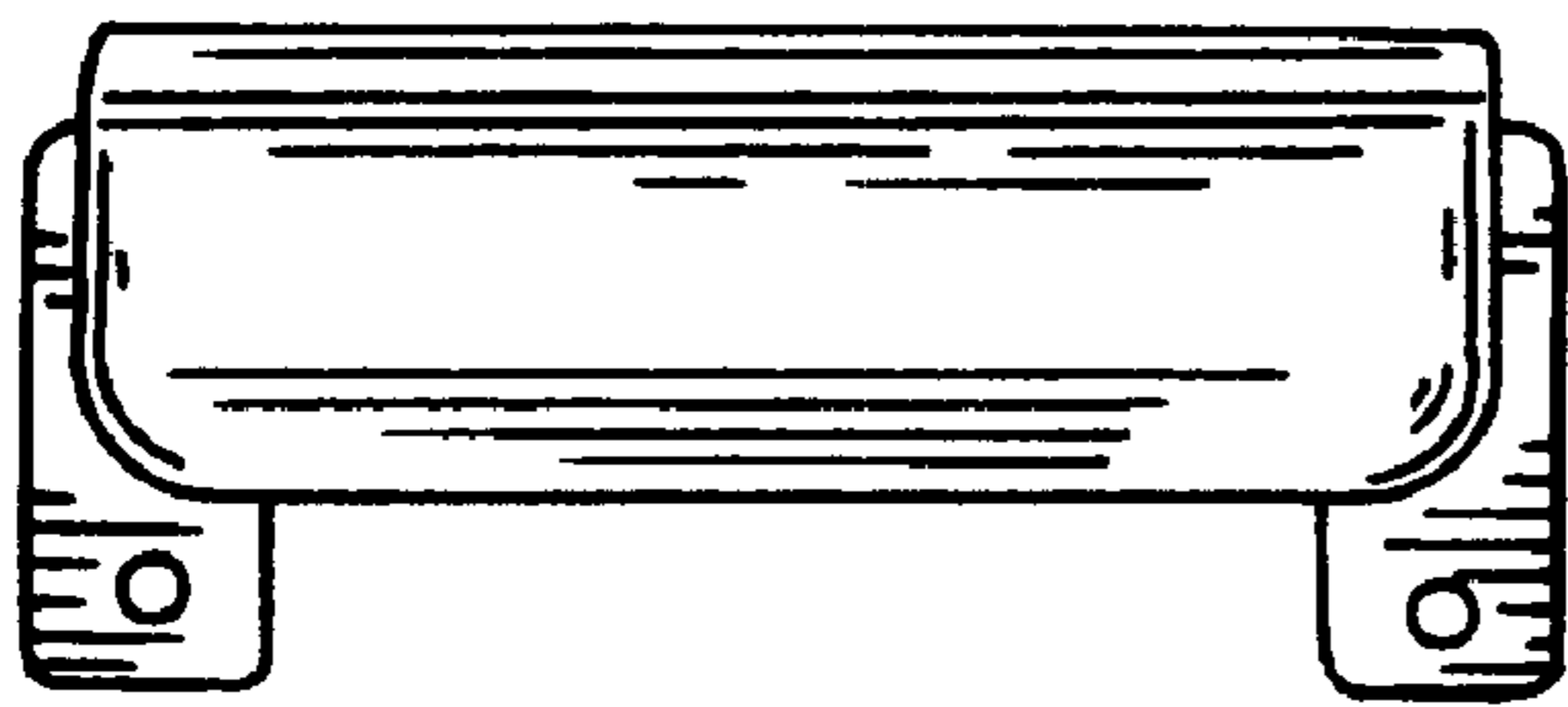
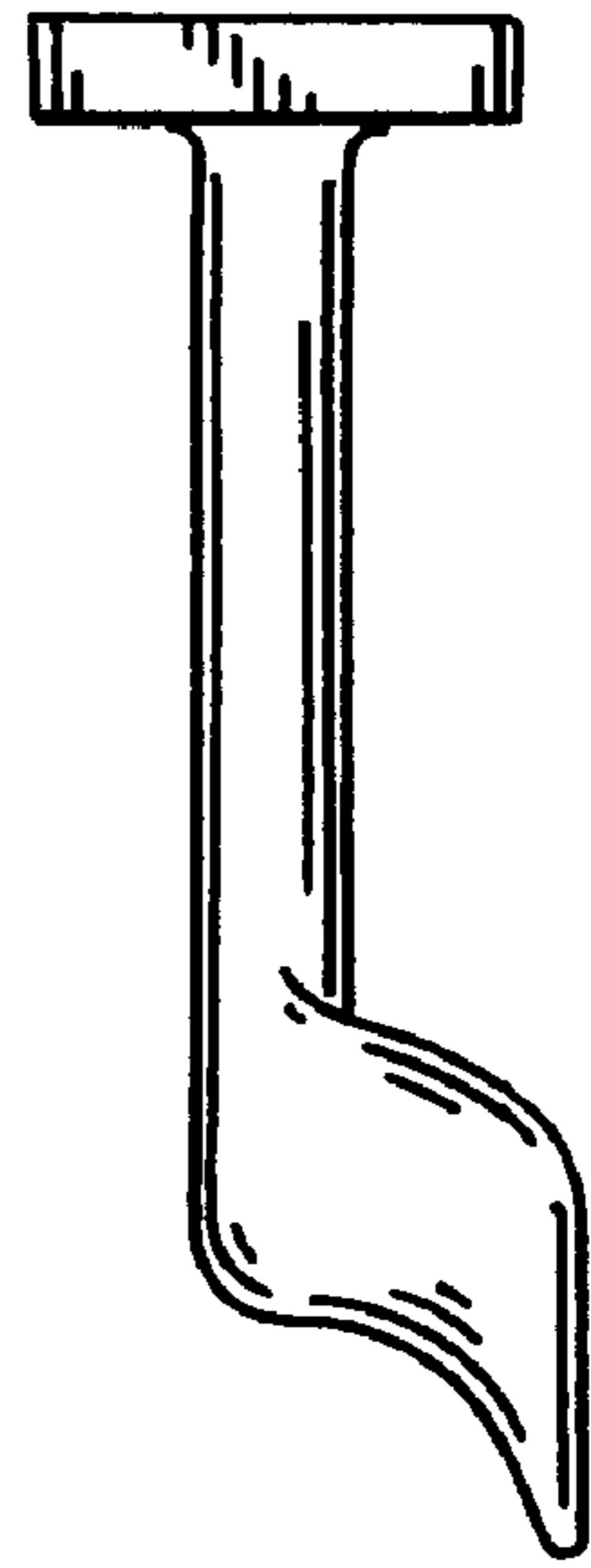


FIG. 7