



US00D459975S

(12) **United States Design Patent**  
**Dinh et al.**

(10) **Patent No.:** **US D459,975 S**

(45) **Date of Patent:** **\*\* Jul. 9, 2002**

(54) **ELONGATE CHANNEL MEMBER**

(75) **Inventors:** **Cong Thanh Dinh; Harsh Gupta**, both of Memphis; **Mark R. Drane**, Germantown, all of TN (US)

(73) **Assignee:** **Thomas & Betts International, Inc.**, Sparks, NV (US)

(\*\*) **Term:** **14 Years**

(21) **Appl. No.:** **29/132,445**

(22) **Filed:** **Nov. 9, 2000**

(51) **LOC (7) Cl.** ..... **08-05**

(52) **U.S. Cl.** ..... **D8/354; D25/119**

(58) **Field of Search** ..... D8/349, 354, 355, D8/356, 376; D25/119, 120, 121, 122, 123, 124, 125; 52/720.1, 730.4, 731.2, 732.1; 403/255; D6/491, 499; D12/223; D13/153, 154, 155

(56) **References Cited**

**U.S. PATENT DOCUMENTS**

|           |   |           |                 |         |
|-----------|---|-----------|-----------------|---------|
| 2,670,919 | A | 3/1954    | Esoldi          |         |
| 2,963,253 | A | 12/1960   | Maier et al.    |         |
| D251,133  | S | * 2/1979  | Bancroft et al. | D25/125 |
| D299,868  | S | * 2/1989  | Fortier         | D25/119 |
| D311,583  | S | * 10/1990 | Shell           | D25/119 |
| D356,283  | S | * 3/1995  | Christensen     | D12/223 |
| D358,982  | S | * 6/1995  | Bosgoed         | D8/376  |

|           |   |           |               |          |
|-----------|---|-----------|---------------|----------|
| 5,555,695 | A | * 9/1996  | Patsy, Jr.    | 52/730.4 |
| D374,650  | S | * 10/1996 | Shermeto      | D8/349   |
| 5,934,631 | A | 8/1999    | Becker et al. |          |
| D443,198  | S | * 6/2001  | Snyder        | D8/354   |

**OTHER PUBLICATIONS**

Thomas & Betts catalog, "Electrical Components, Products and Systems", Technical/Specification Catalog, Electrical Components Division (1994).

\* cited by examiner

*Primary Examiner*—Doris V. Coles

*Assistant Examiner*—Elizabeth A. Albert

(74) *Attorney, Agent, or Firm*—Hoffmann & Baron, LLP

(57) **CLAIM**

The ornamental design for an elongate channel member, as shown and described.

**DESCRIPTION**

FIG. 1 is a top perspective view of an elongate channel member showing our new design;

FIG. 2 is a top plan view thereof;

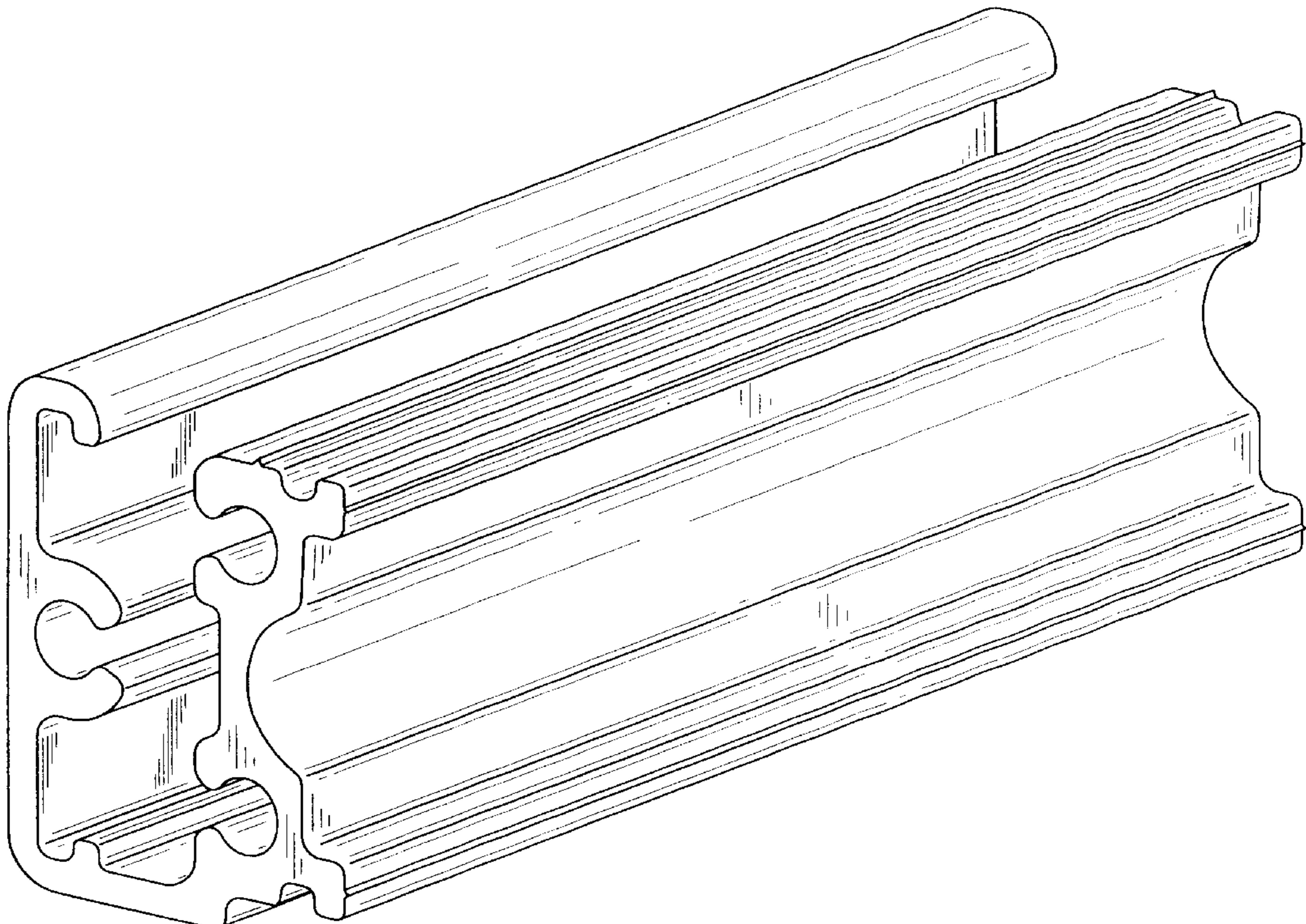
FIG. 3 is a bottom plan view thereof;

FIG. 4 is a end view thereof, the opposite end being a mirror image thereof;

FIG. 5 is a front elevational view thereof; and,

FIG. 6 is a back elevational view thereof.

**1 Claim, 6 Drawing Sheets**



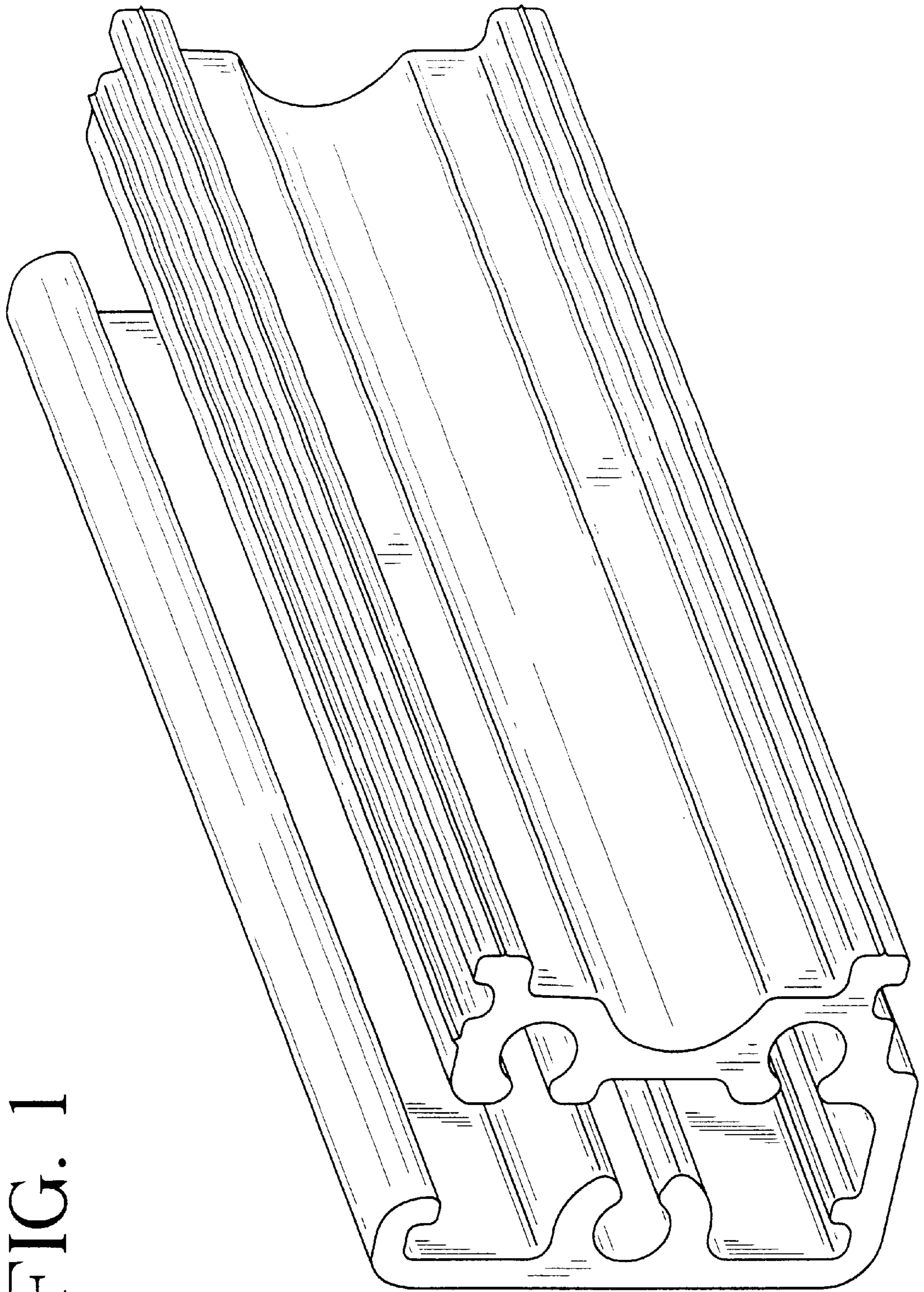


FIG. 1

FIG. 2

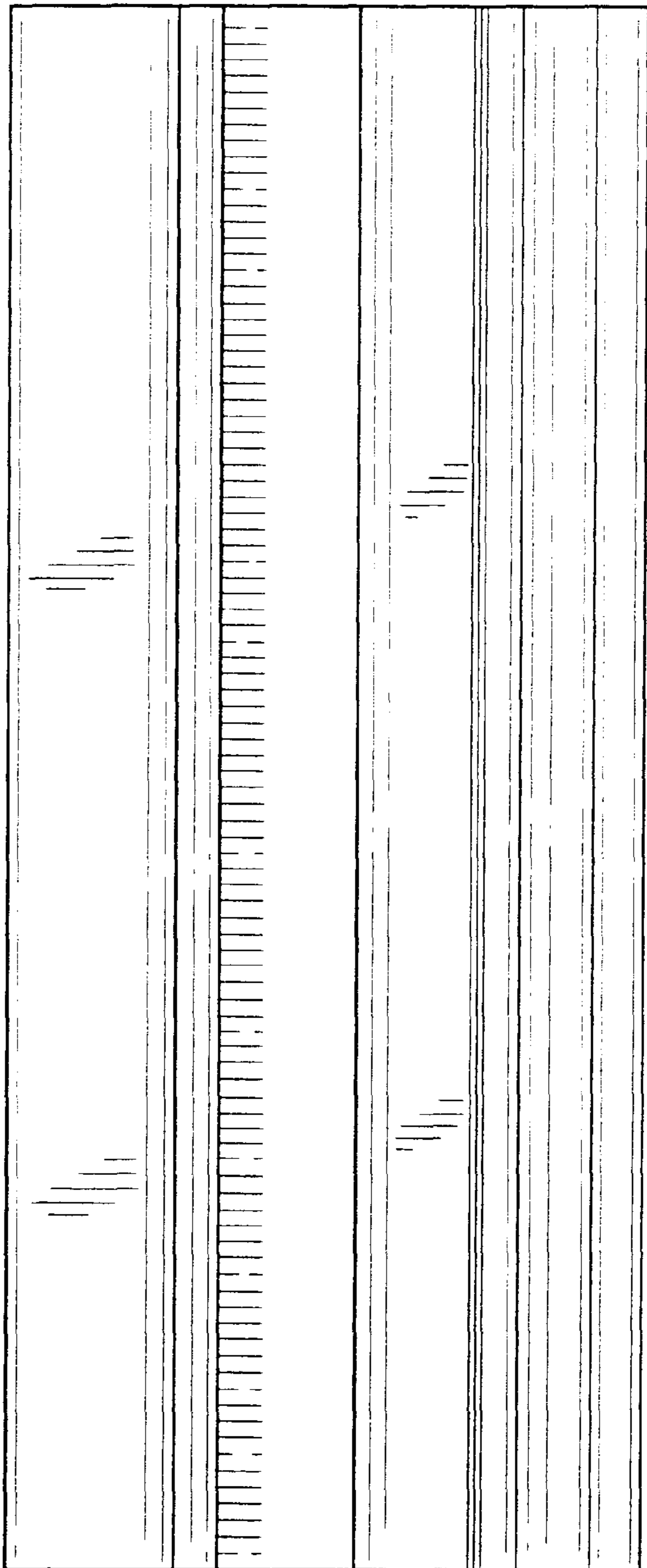
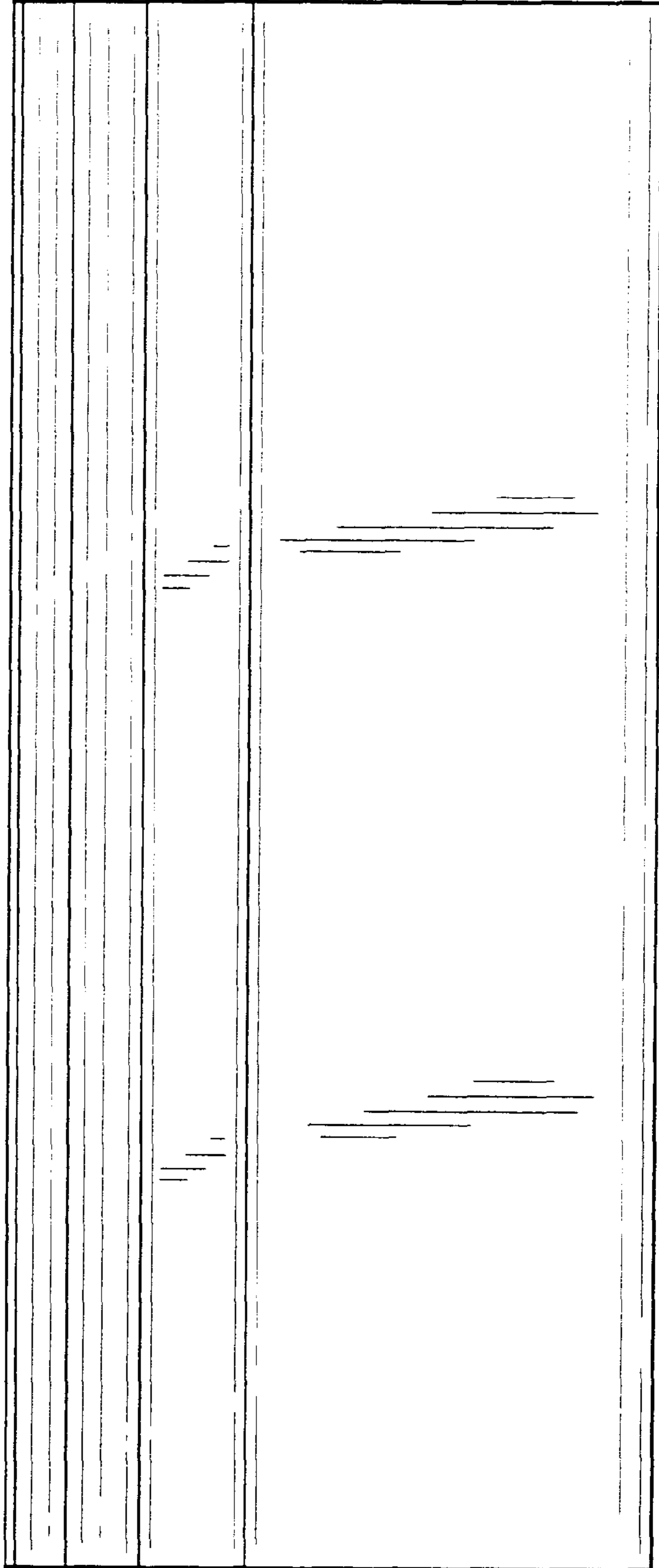


FIG. 3



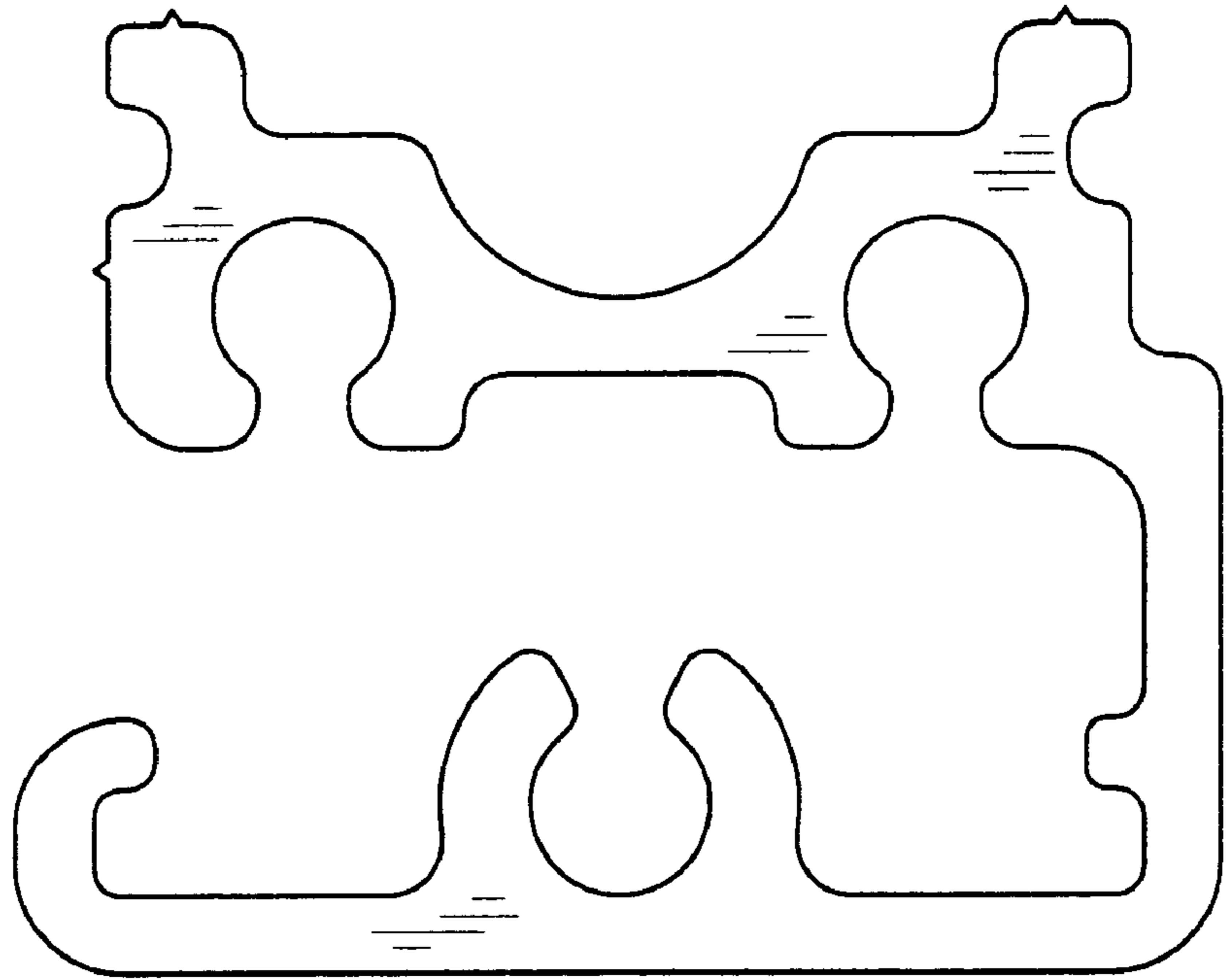


FIG. 4

FIG. 5

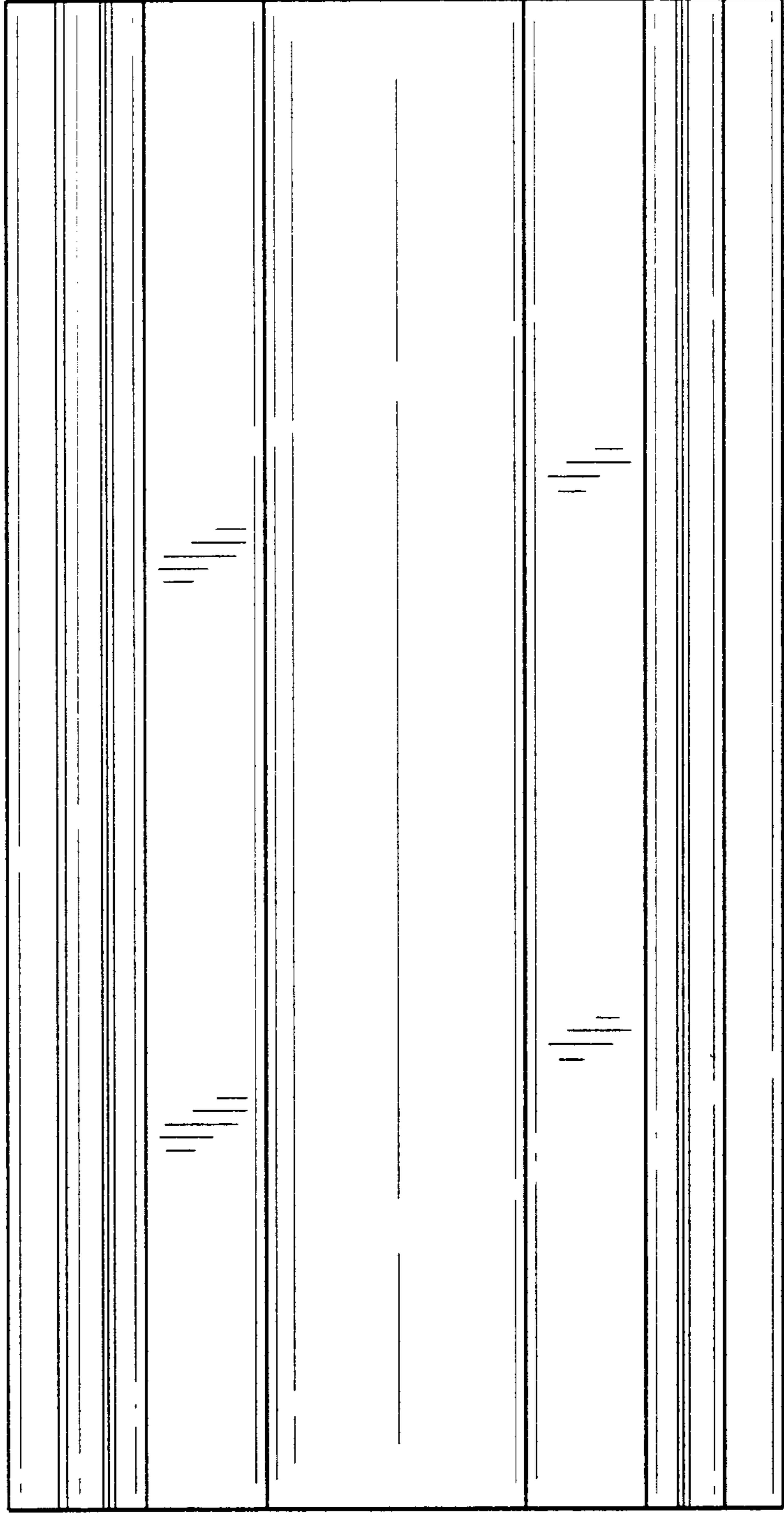


FIG. 6

