



US00D459974S

(12) **United States Design Patent**  
**Hawker**

(10) **Patent No.:** **US D459,974 S**

(45) **Date of Patent:** **\*\* Jul. 9, 2002**

(54) **ACCESSORY BRACKET**

(75) Inventor: **Alistair R. Hawker**, Irvine, CA (US)

(73) Assignee: **The Orman Grubb Co.**, Anaheim, CA (US)

(\*\*) Term: **14 Years**

(21) Appl. No.: **29/127,170**

(22) Filed: **Jul. 28, 2000**

(51) **LOC (7) Cl.** ..... **08-05**

(52) **U.S. Cl.** ..... **D8/354**

(58) **Field of Search** ..... D8/367, 363; D6/326, D6/327; 248/309.1, 214, 215; 211/45

(56) **References Cited**

**U.S. PATENT DOCUMENTS**

D159,536 S	*	8/1950	Rsenheim	.....	D6/325
2,888,224 A	*	5/1959	Sanford	.....	248/214
4,258,893 A	*	3/1981	Tolley	.....	248/214
5,094,417 A	*	3/1992	Creed	.....	248/215

\* cited by examiner

*Primary Examiner*—Holly Baynham

(74) *Attorney, Agent, or Firm*—Knobbe, Martens, Olson & Bear LLP

(57) **CLAIM**

The ornamental design for an accessory bracket, as shown and described.

**DESCRIPTION**

FIG. 1 is a perspective view of one embodiment of an accessory bracket having features in accordance with the present invention;

FIG. 2 is a top plan view thereof;

FIG. 3 is a bottom plan view thereof;

FIG. 4 is a right side elevational view thereof;

FIG. 5 is a left side elevational view thereof;

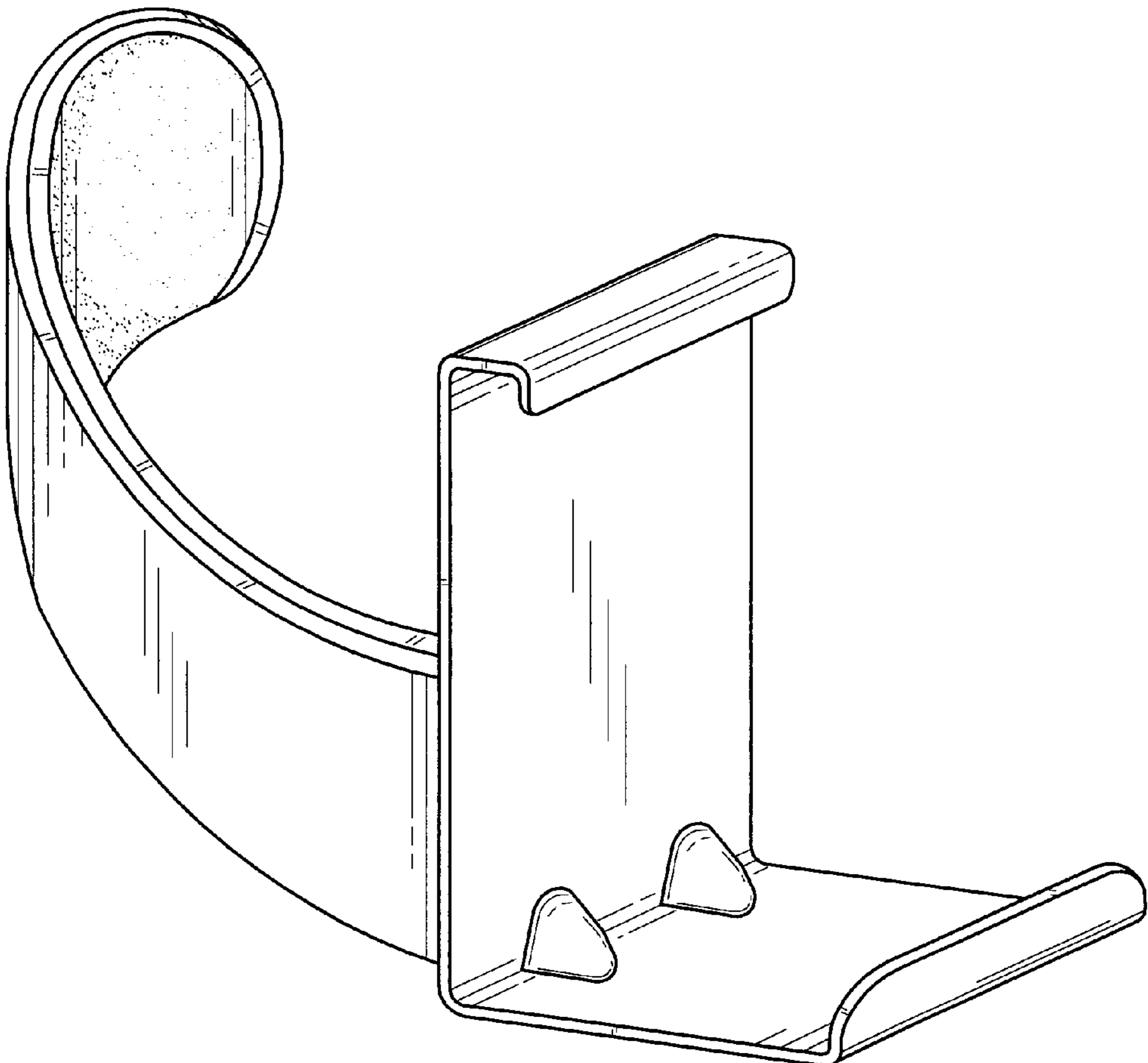
FIG. 6 is a front elevational view thereof;

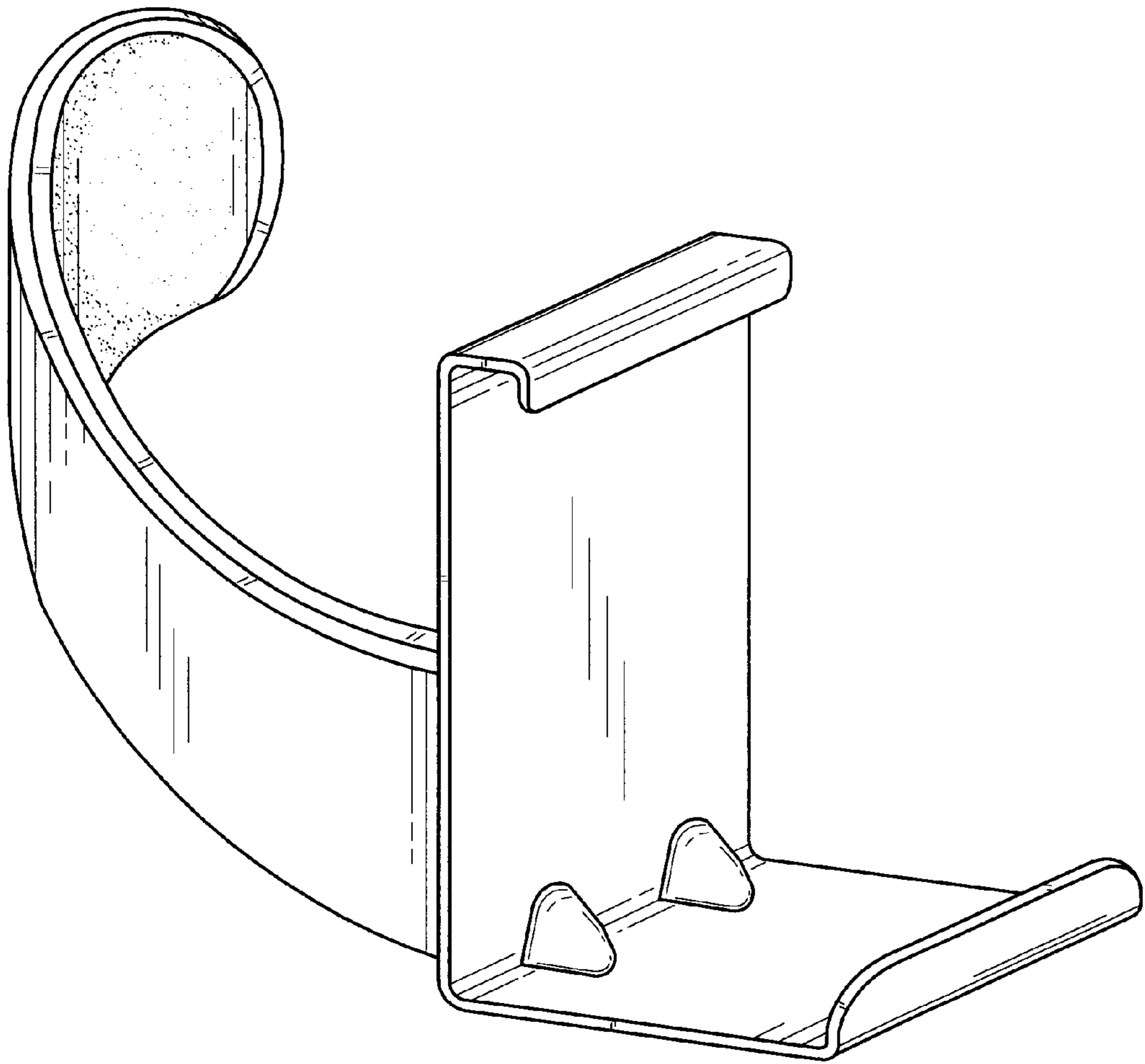
FIG. 7 is a rear elevational view thereof;

FIG. 8 is an environmental perspective view thereof, with the broken line showing of a desk hutch support being for illustrative purposes and forming no part of the claimed design; and,

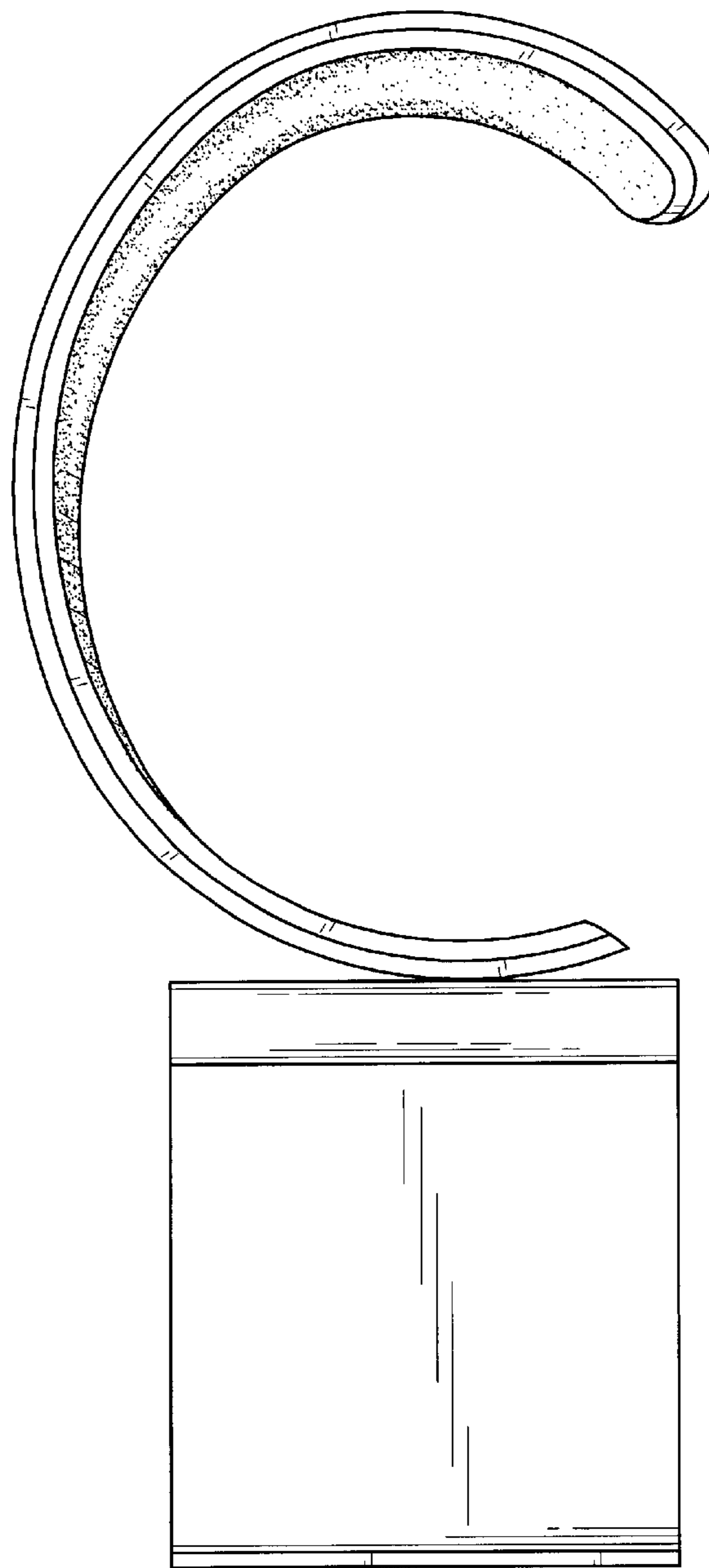
FIG. 9 is an environmental perspective view with the broken line showing of an accessory tray being for illustrative purposes only and forming no part of the claimed design.

**1 Claim, 9 Drawing Sheets**

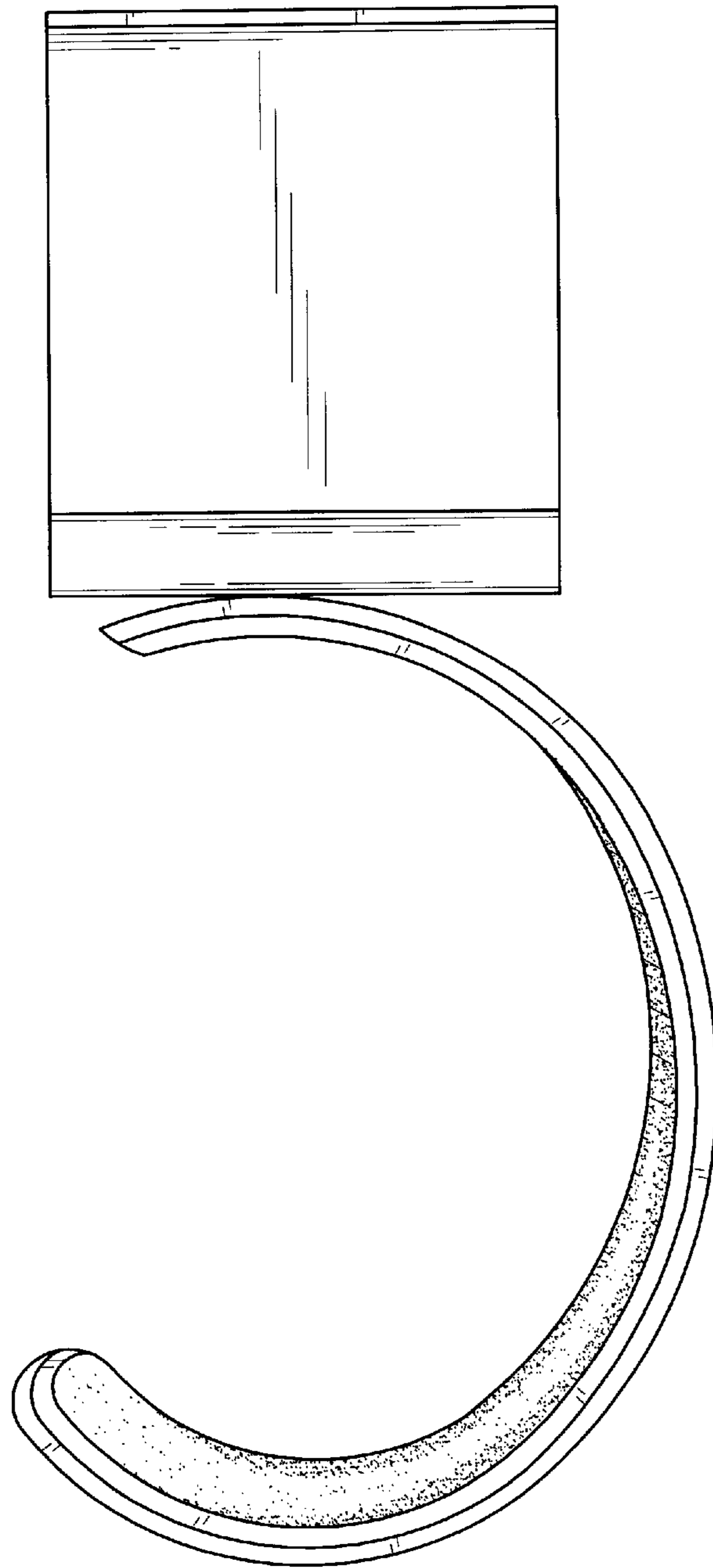




*FIG. 1*



*FIG. 2*



*FIG. 3*

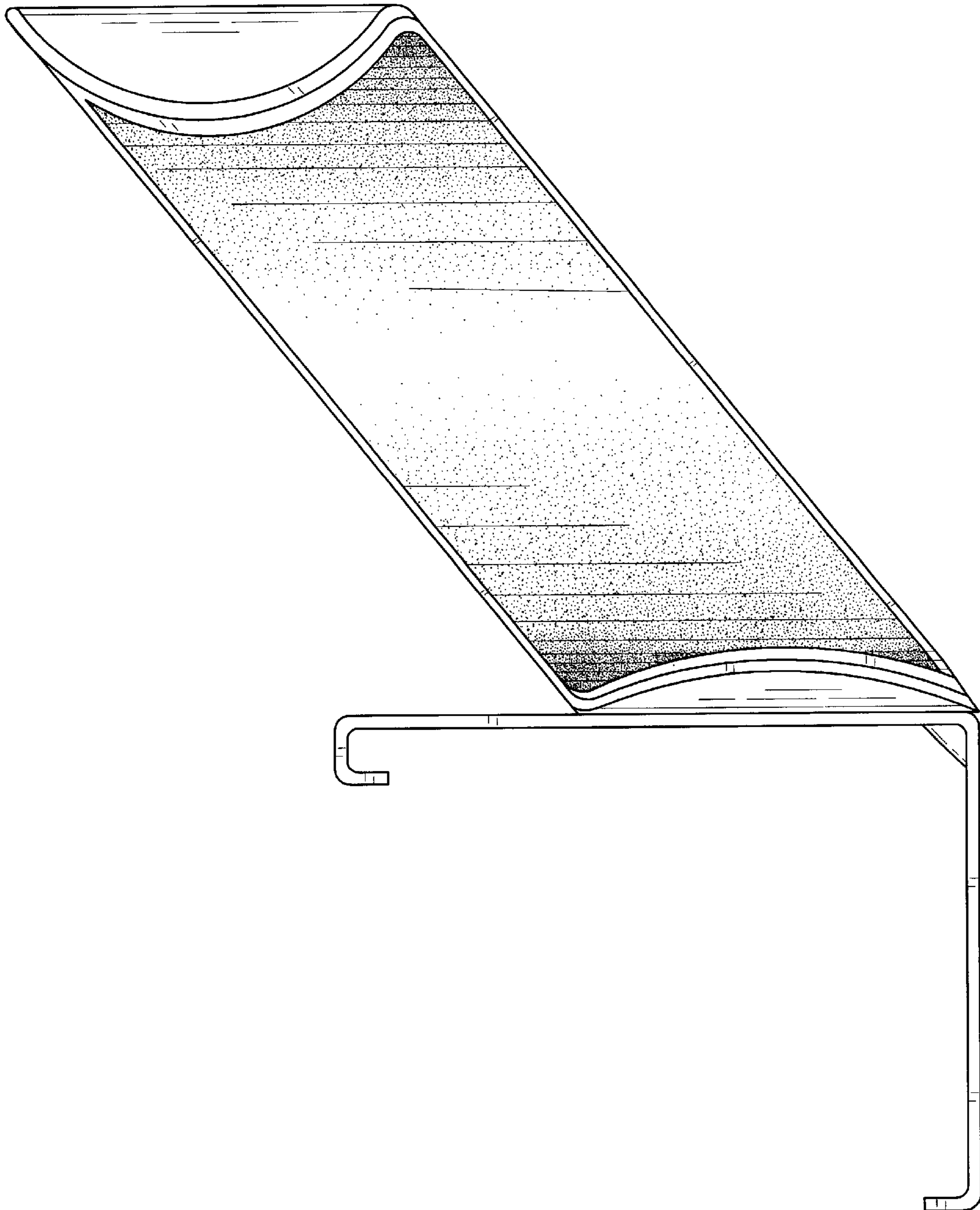
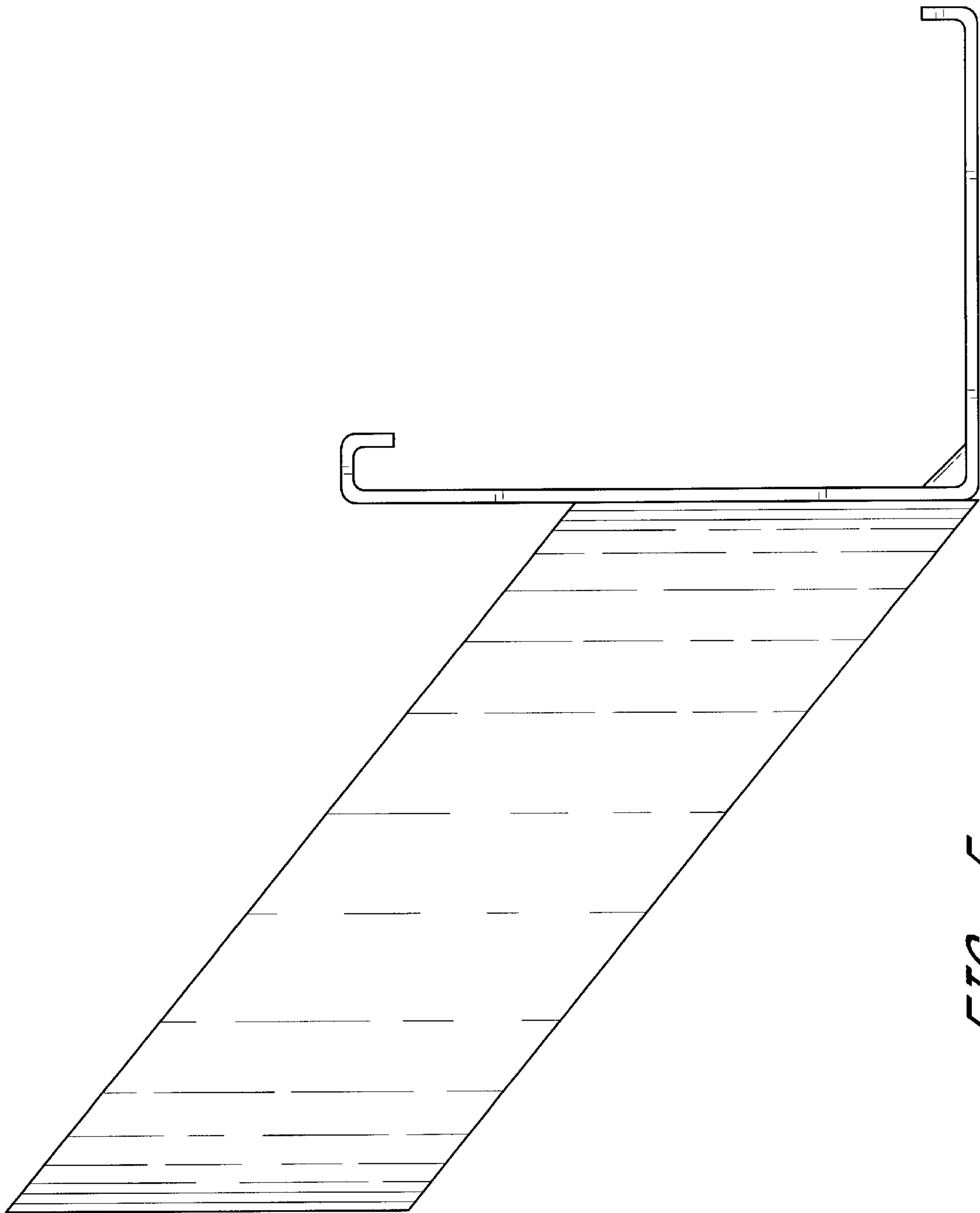
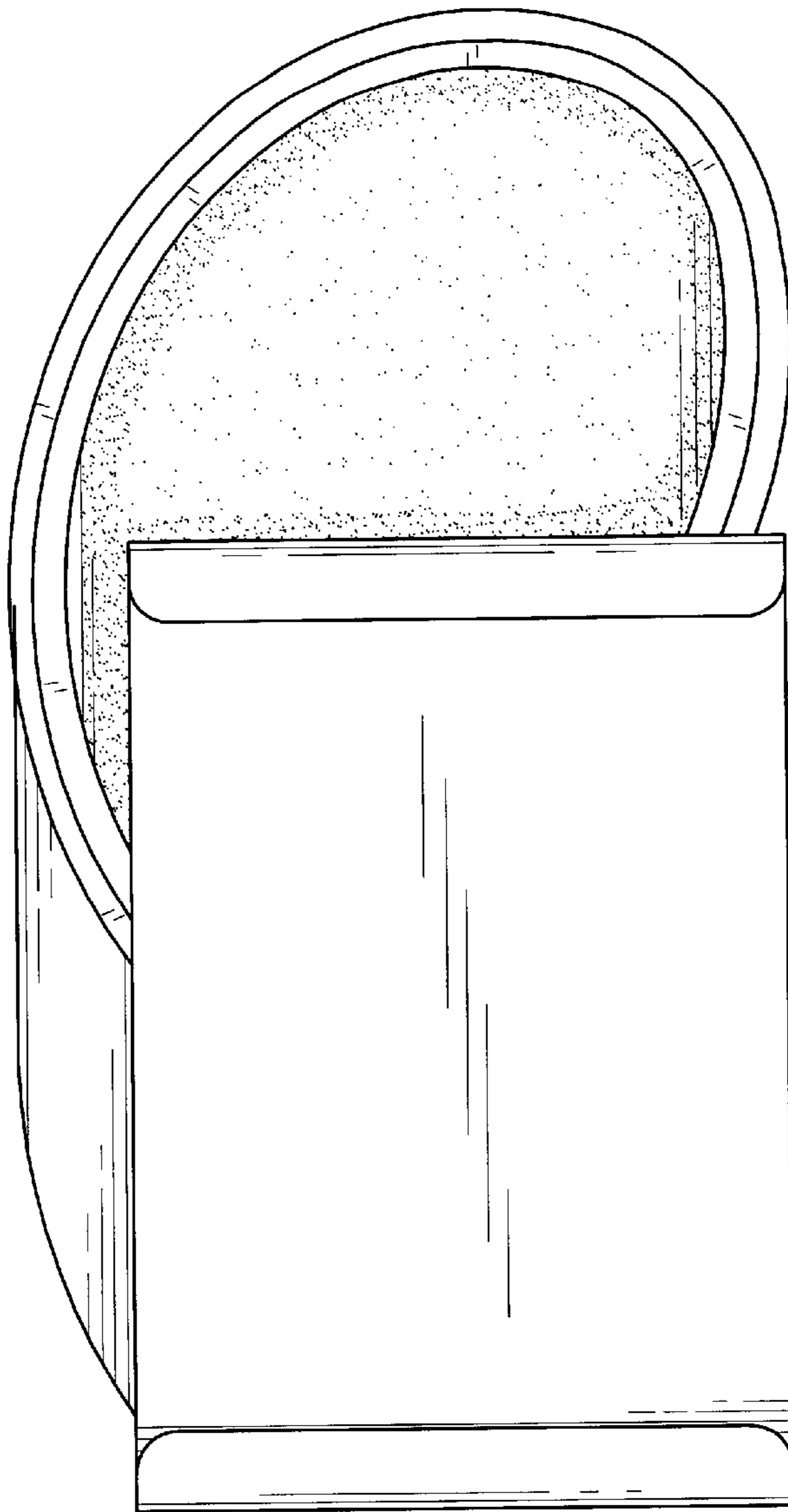


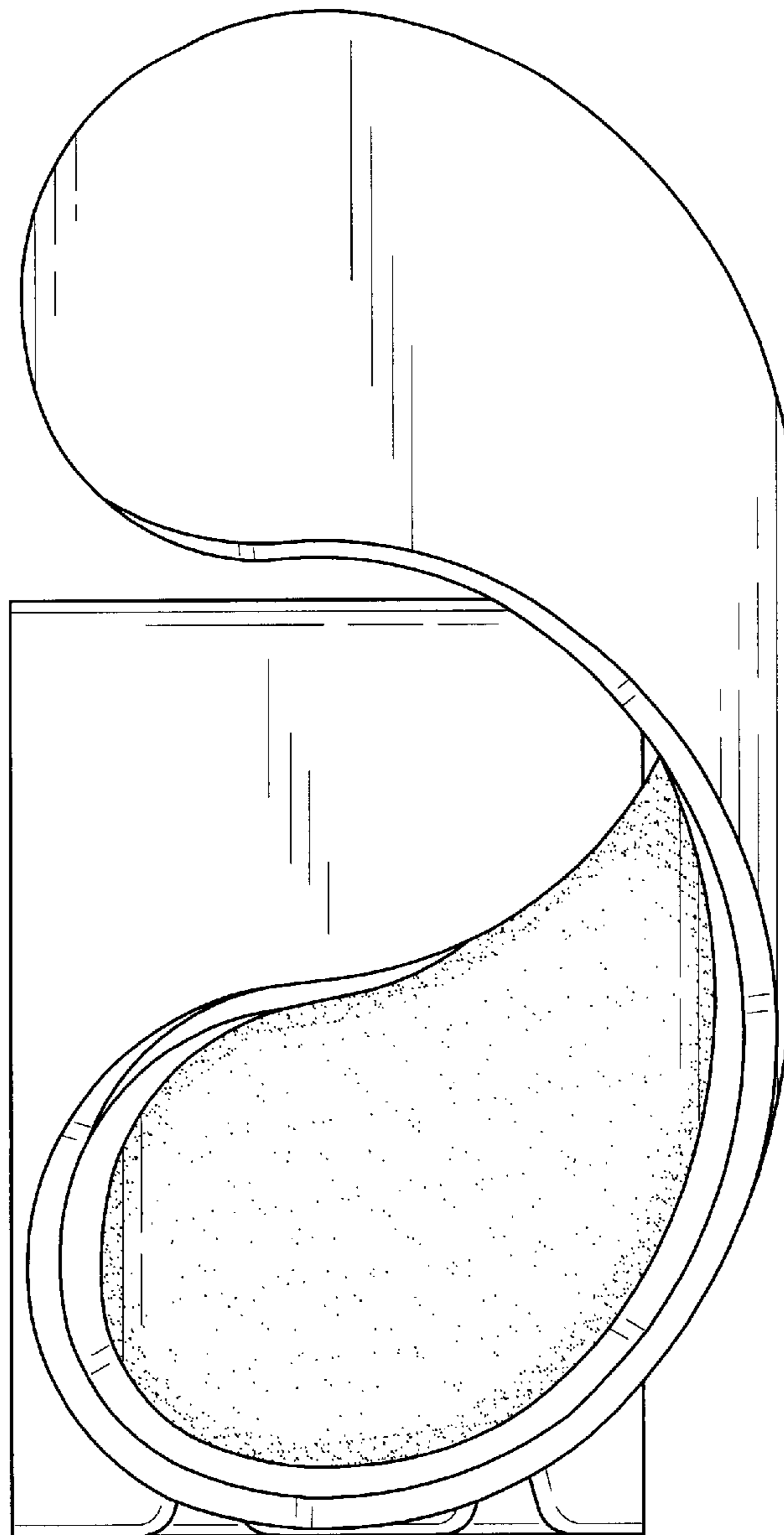
FIG. 4



*FIG. 5*

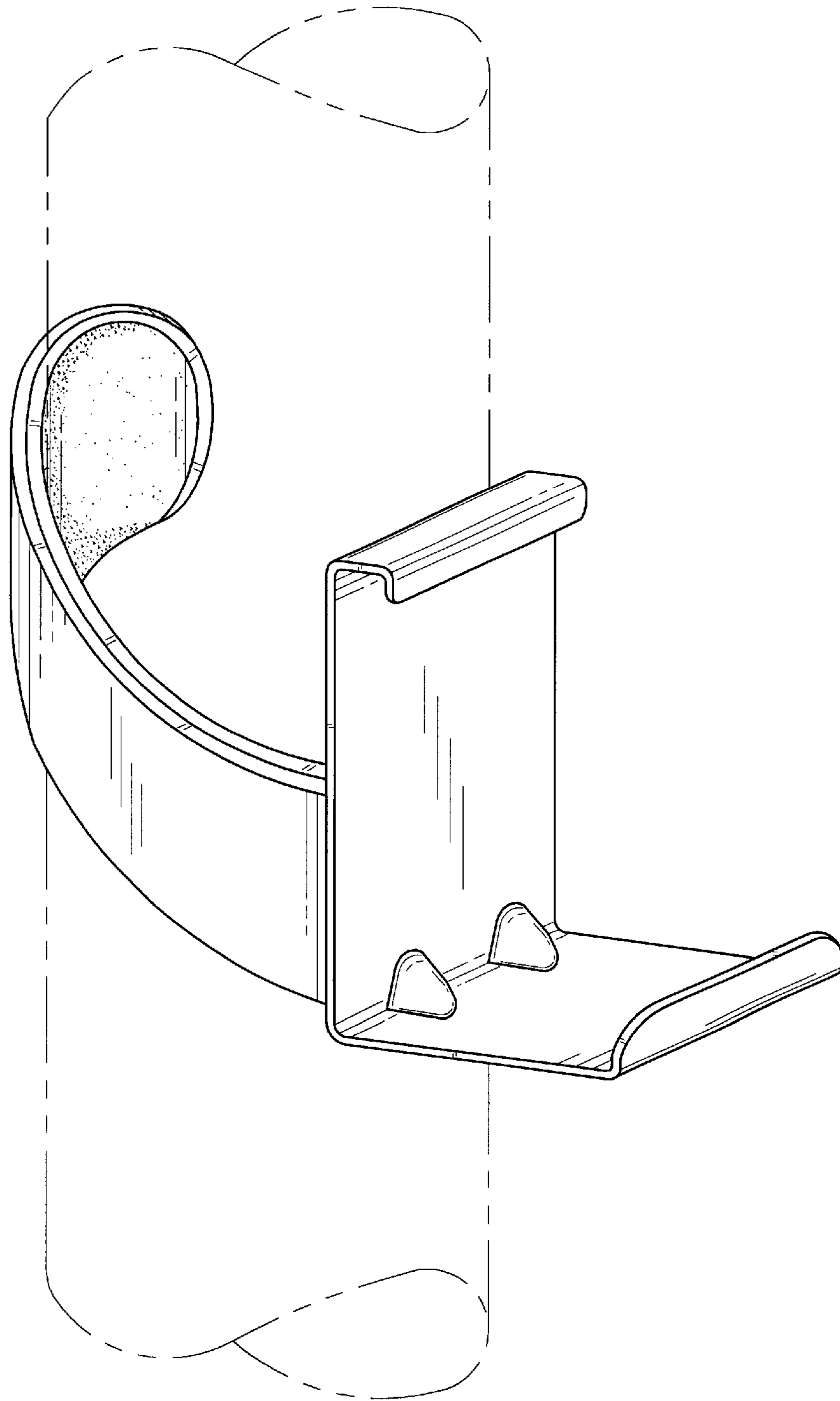


*FIG. 6*

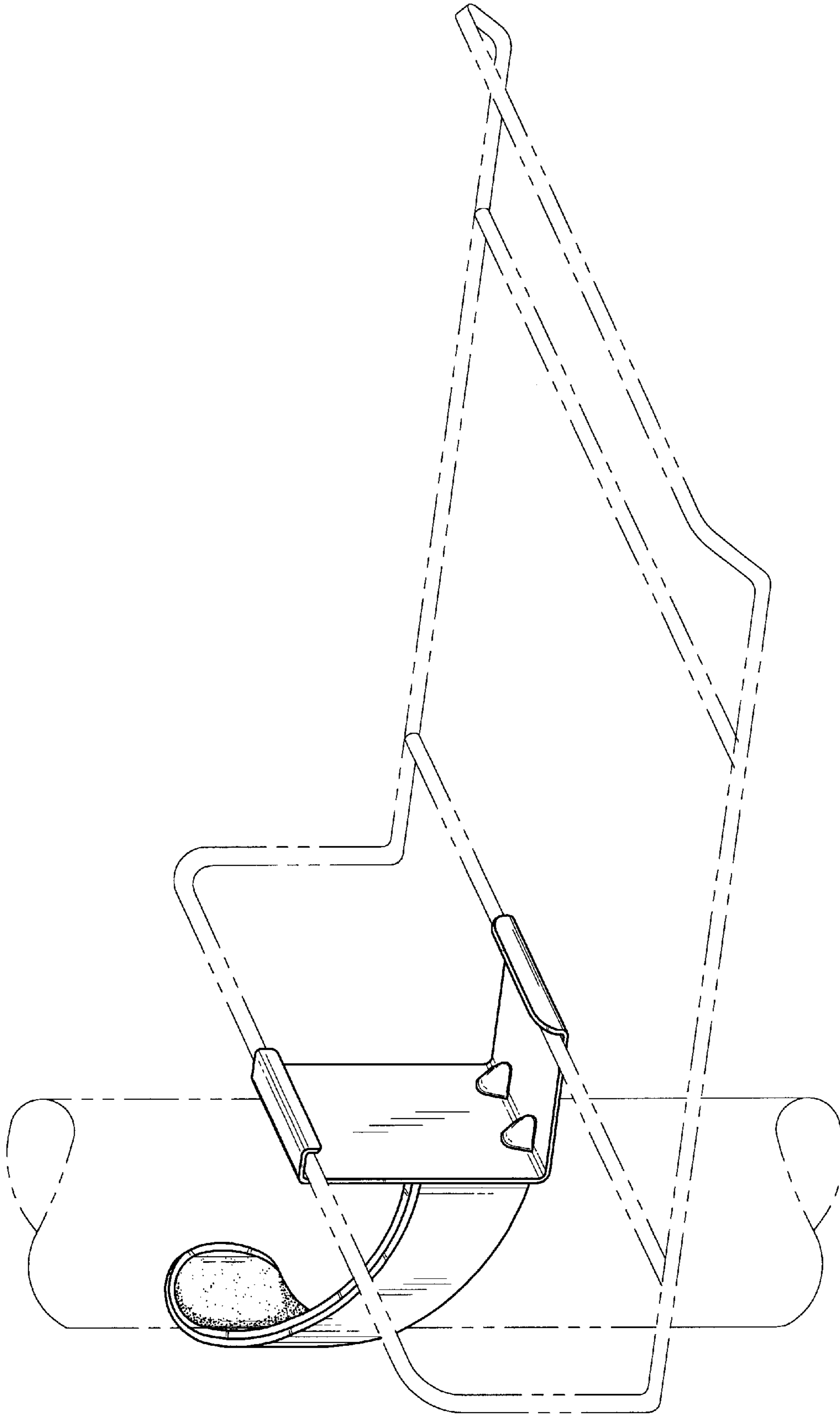


*FIG. 7*





*FIG. 8*



*FIG. 9*