



US00D459973S

(12) **United States Design Patent**  
**Weinerman et al.**

(10) **Patent No.: US D459,973 S**

(45) **Date of Patent: \*\* Jul. 9, 2002**

- (54) **HOUSING FOR LATCHES AND LOCKS**
- (75) Inventors: **Lee S. Weinerman**, Medina; **Scott A. Arthurs**, Brunswick, both of OH (US)
- (73) Assignee: **The Eastern Company**, Cleveland, OH (US)
- (\*\*) Term: **14 Years**
- (21) Appl. No.: **29/130,903**
- (22) Filed: **Oct. 11, 2000**
- (51) **LOC (7) Cl. .... 11-05**
- (52) **U.S. Cl. .... D8/353; D8/306; D8/321**
- (58) **Field of Search .... D8/301, 306, 341, D8/338, 350, 353, 302, 307, 321; 70/135, 208; 16/412; 292/336.3, DIG. 31; D12/196**

D303,620 S	9/1989	Russell et al. ....	D8/313
D303,621 S	9/1989	Russell et al. ....	D8/313
D303,922 S	10/1989	Russell et al. ....	D8/321
D304,155 S	10/1989	Russell et al. ....	D8/303
4,896,906 A	1/1990	Weinerman et al. ....	292/48
4,911,487 A	3/1990	Rachocki .....	292/216
4,917,412 A	4/1990	Swan et al. ....	292/48
4,951,486 A	8/1990	Braun et al. ....	70/208
4,969,916 A	11/1990	Weinerman et al. ....	70/208
D314,131 S	1/1991	Russell et al. ....	D8/321
4,989,907 A	2/1991	Edmonds et al. ....	292/223
5,042,853 A	8/1991	Gleason et al. ....	292/126
5,046,340 A	9/1991	Weinerman et al. ....	70/208
5,058,937 A	* 10/1991	Miehe et al. ....	
5,069,491 A	12/1991	Weinerman et al. ....	292/48
D323,776 S	2/1992	Hansen .....	D8/338
D328,231 S	7/1992	Hansen .....	D8/301

(List continued on next page.)

*Primary Examiner*—B. J. Bullock  
(74) *Attorney, Agent, or Firm*—David A. Burge

(56) **References Cited**

**U.S. PATENT DOCUMENTS**

D119,418 S	3/1940	Anderson et al.	
2,735,706 A	2/1956	Pelcin .....	292/34
3,209,564 A	10/1965	Pelcin .....	70/148
D210,152 S	2/1968	Pastva	
D210,153 S	2/1968	Pastva	
D230,132 S	1/1974	Pastva .....	D8/6
4,116,027 A	9/1978	Tannery .....	70/472
4,131,002 A	12/1978	Gianelo .....	70/84
4,312,203 A	1/1982	Davis .....	70/472
4,320,642 A	3/1982	Pastva, Jr. ....	70/472
4,370,874 A	2/1983	Munn .....	70/204
4,420,954 A	12/1983	Hieronymi et al. ....	70/150
4,438,964 A	3/1984	Peters .....	292/216
4,634,161 A	1/1987	Fukasawa et al. ....	292/336.3
4,706,478 A	11/1987	Swan et al. ....	70/208
4,707,006 A	11/1987	Garg et al. ....	292/336.3
4,838,054 A	6/1989	Weinerman et al. ....	70/208
4,838,056 A	6/1989	Weinerman et al. ....	70/208
4,841,755 A	6/1989	Weinerman et al. ....	70/208
4,850,208 A	7/1989	Weinerman et al. ....	70/208
4,850,209 A	7/1989	Weinerman et al. ....	70/208
D303,617 S	9/1989	Russell et al. ....	D8/306
D303,618 S	9/1989	Russell et al. ....	D8/306
D303,619 S	9/1989	Russell et al. ....	D8/313

(57) **CLAIM**

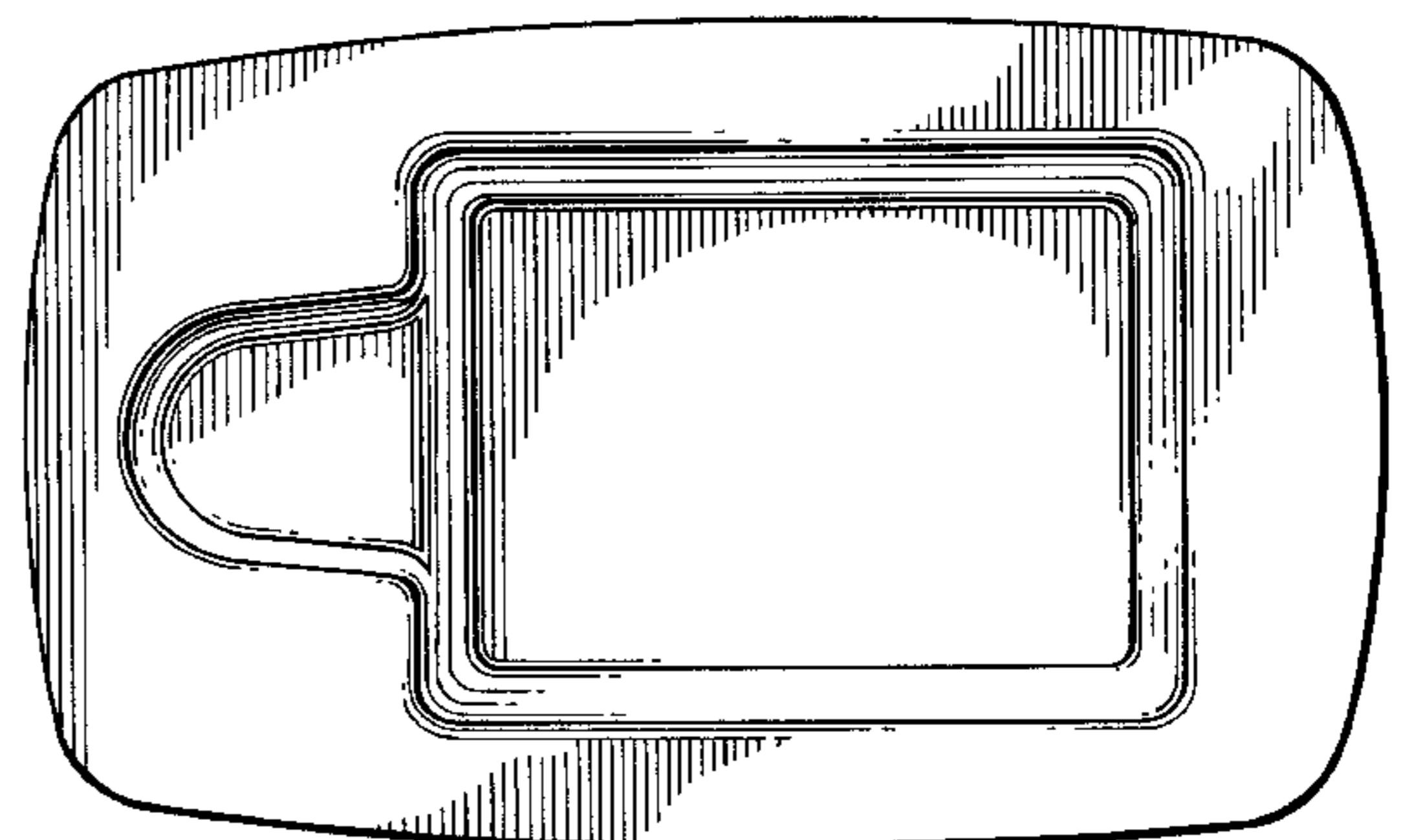
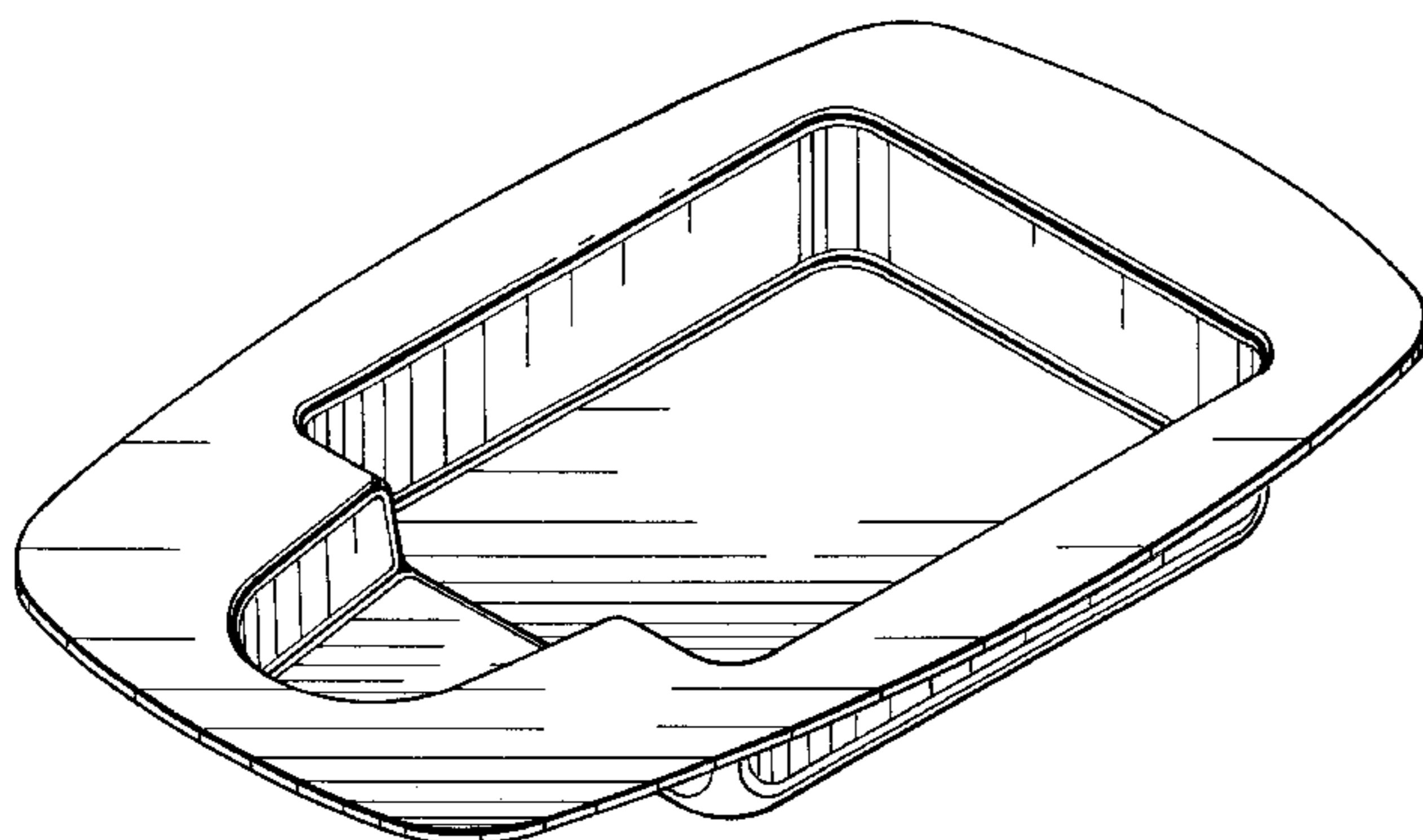
We claim the ornamental design for a housing for latches and locks, as shown and described.

**DESCRIPTION**

Reference is made to the following concurrently filed design application of Lee S. Weinerman and Scott A. Arthurs wherein an identical housing is disclosed, namely Ser. No. 29/130,905. Reference also is made to the following concurrently filed design applications of Lee S. Weinerman and Scott A. Arthurs wherein housings having similarities to the housing of the present invention are disclosed, namely Ser. No. 29/130,902, Ser. No. 29/130,904, and Ser. No. 29/130,906.

FIG. 1 is a perspective view showing front portions of our new design;  
FIG. 2 is a perspective view showing rear portions thereof;  
FIG. 3 is a front side elevational view thereof;  
FIG. 4 is a rear side elevational view thereof;  
FIG. 5 is a bottom view thereof, it being understood that a top view would be a mirror image reversal of this view;  
FIG. 6 is a left end view thereof; and,  
FIG. 7 is a right end view thereof.

**1 Claim, 3 Drawing Sheets**



# US D459,973 S

Page 2

## U.S. PATENT DOCUMENTS

5,127,686 A	7/1992	Gleason et al. ....	292/216	D394,373 S	5/1998	Weinerman et al. ....	D8/306
D339,050 S	9/1993	Gleason et al. ....	D8/301	5,820,174 A	10/1998	Parikh et al. ....	292/126
5,299,844 A	4/1994	Gleason .....	292/240	5,820,175 A	10/1998	Clavin .....	292/165
D346,731 S	5/1994	Larsen et al. ....	D8/301	5,884,948 A	3/1999	Weinerman et al. ....	292/216
5,413,391 A	5/1995	Clavin et al. ....	292/170	D410,424 S	6/1999	Hansen .....	D12/196
5,439,260 A	8/1995	Weinerman .....	292/48	D410,609 S	6/1999	Hansen .....	D12/196
5,484,178 A *	1/1996	Sandhu		5,927,772 A	7/1999	Antonucci et al. ....	292/336.3
D369,084 S	4/1996	McConnell et al. ....	D8/302	5,927,773 A	7/1999	Larsen et al. ....	292/337
D369,089 S	4/1996	Zenner .....	D8/343	5,941,104 A	8/1999	Sadler .....	70/208
5,526,660 A	6/1996	Bennett et al. ....	70/208	5,983,682 A	11/1999	Parikh .....	70/208
D371,500 S	7/1996	McConnell et al. ....	D8/302	5,984,383 A	11/1999	Parikh et al. ....	292/121
D373,298 S	9/1996	Miehe et al. ....	D8/302	5,987,943 A	11/1999	Verga et al. ....	70/208
5,564,295 A	10/1996	Weinerman et al. ....	70/208	5,992,908 A	11/1999	Yared et al. ....	292/196
5,586,458 A	12/1996	Weinerman et al. ....	70/208	D417,555 S	12/1999	Yared et al. ....	D6/306
5,606,882 A	3/1997	Larsen et al. ....	70/369	D419,421 S	1/2000	Larsen et al. ....	D8/306
5,611,224 A	3/1997	Weinerman et al. ....	70/208	6,023,953 A	2/2000	Vickers et al. ....	70/208
D383,664 S	9/1997	Bennett .....	D8/331	6,145,352 A	11/2000	Vickers et al. ....	70/208
D390,086 S	2/1998	Weinerman et al. ....	D8/306				

\* cited by examiner

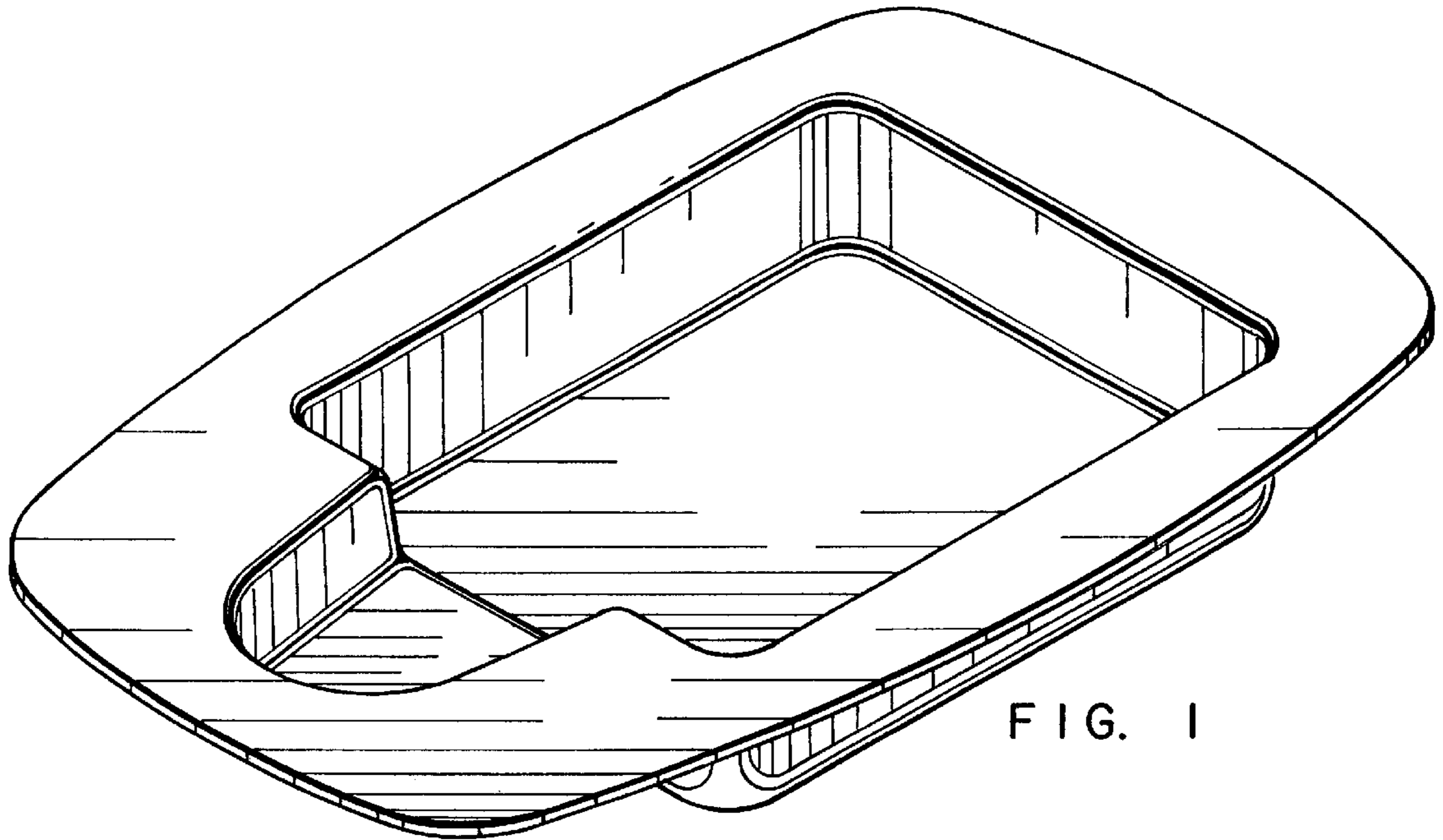


FIG. 1

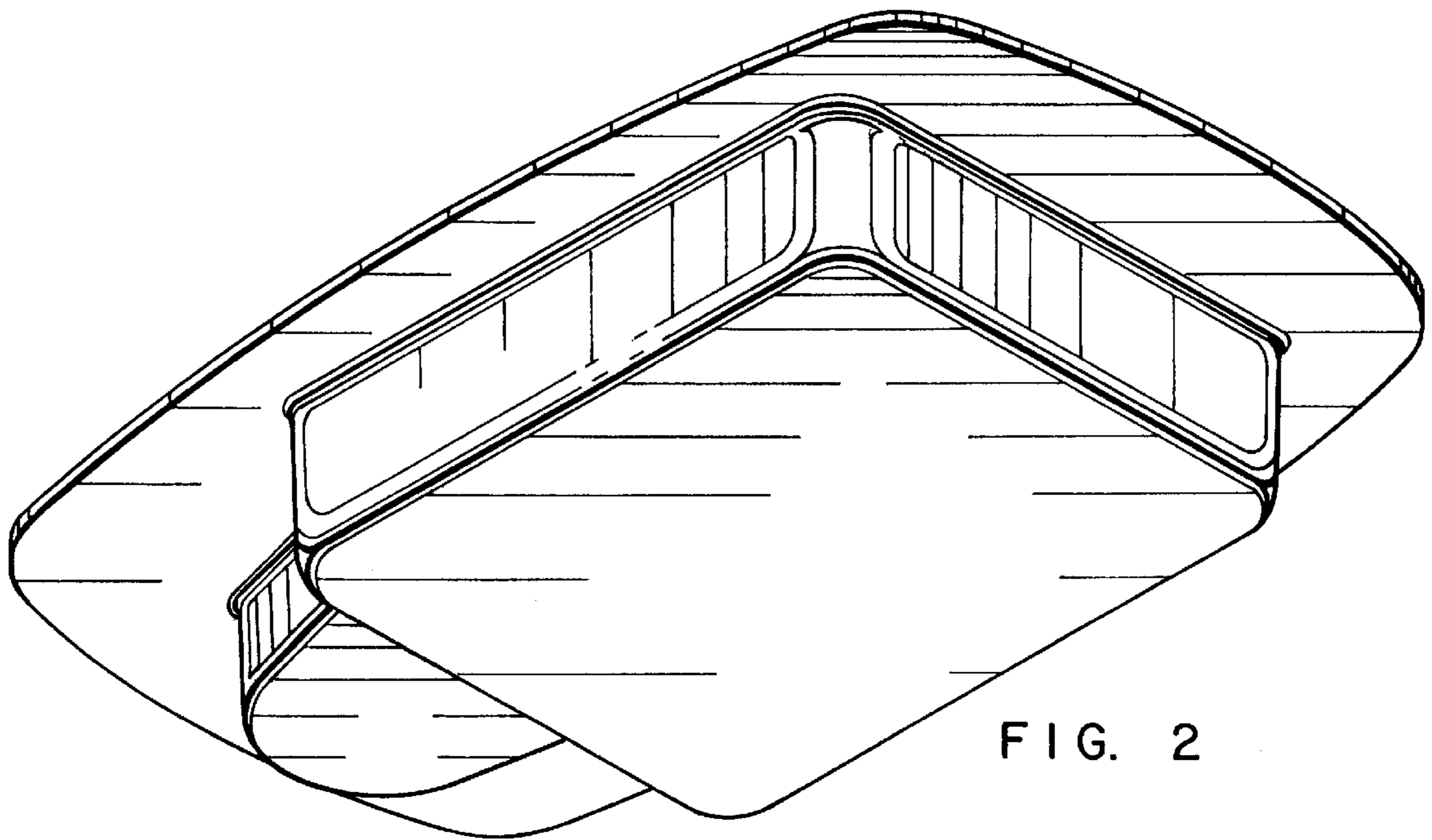


FIG. 2

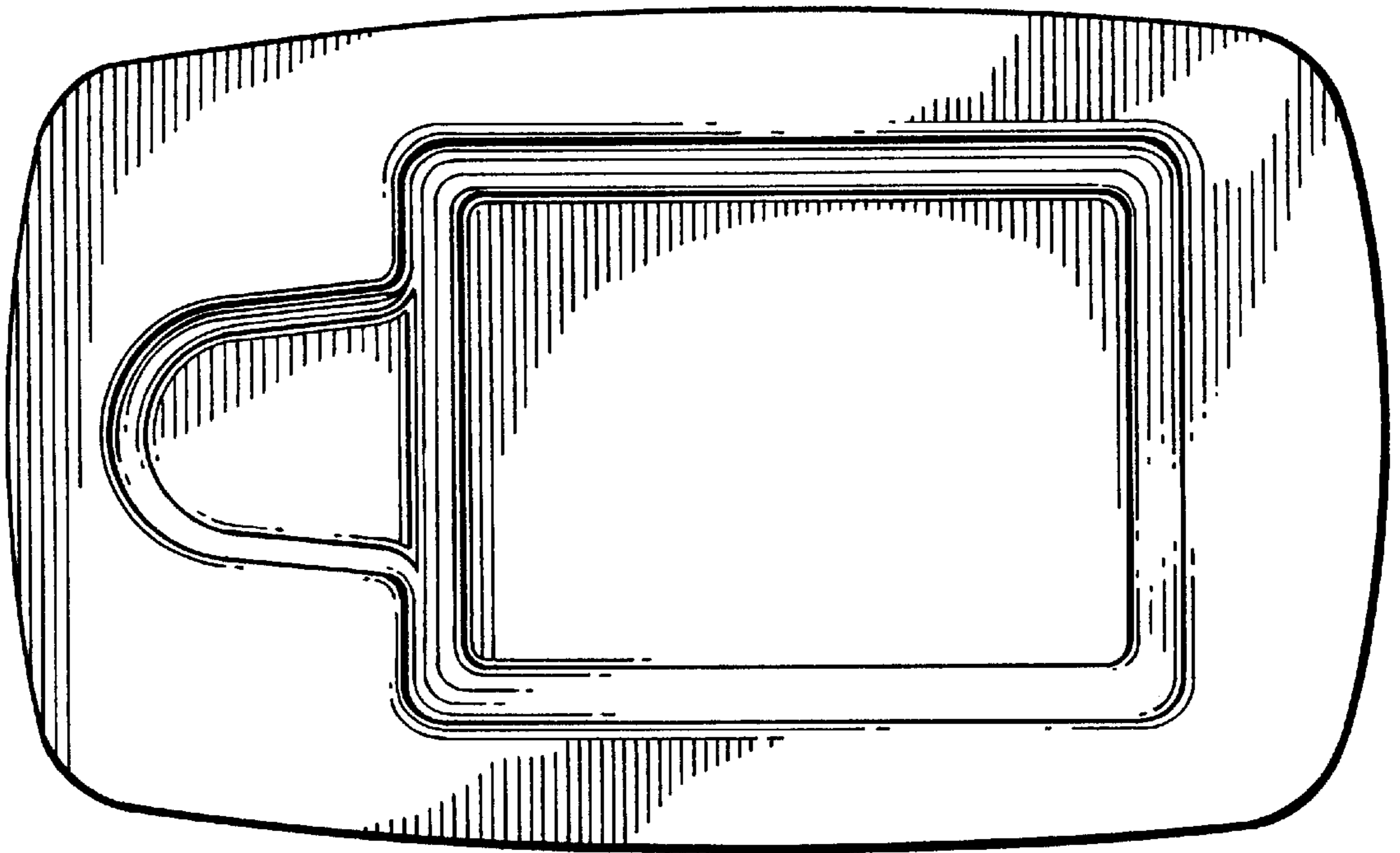


FIG. 3

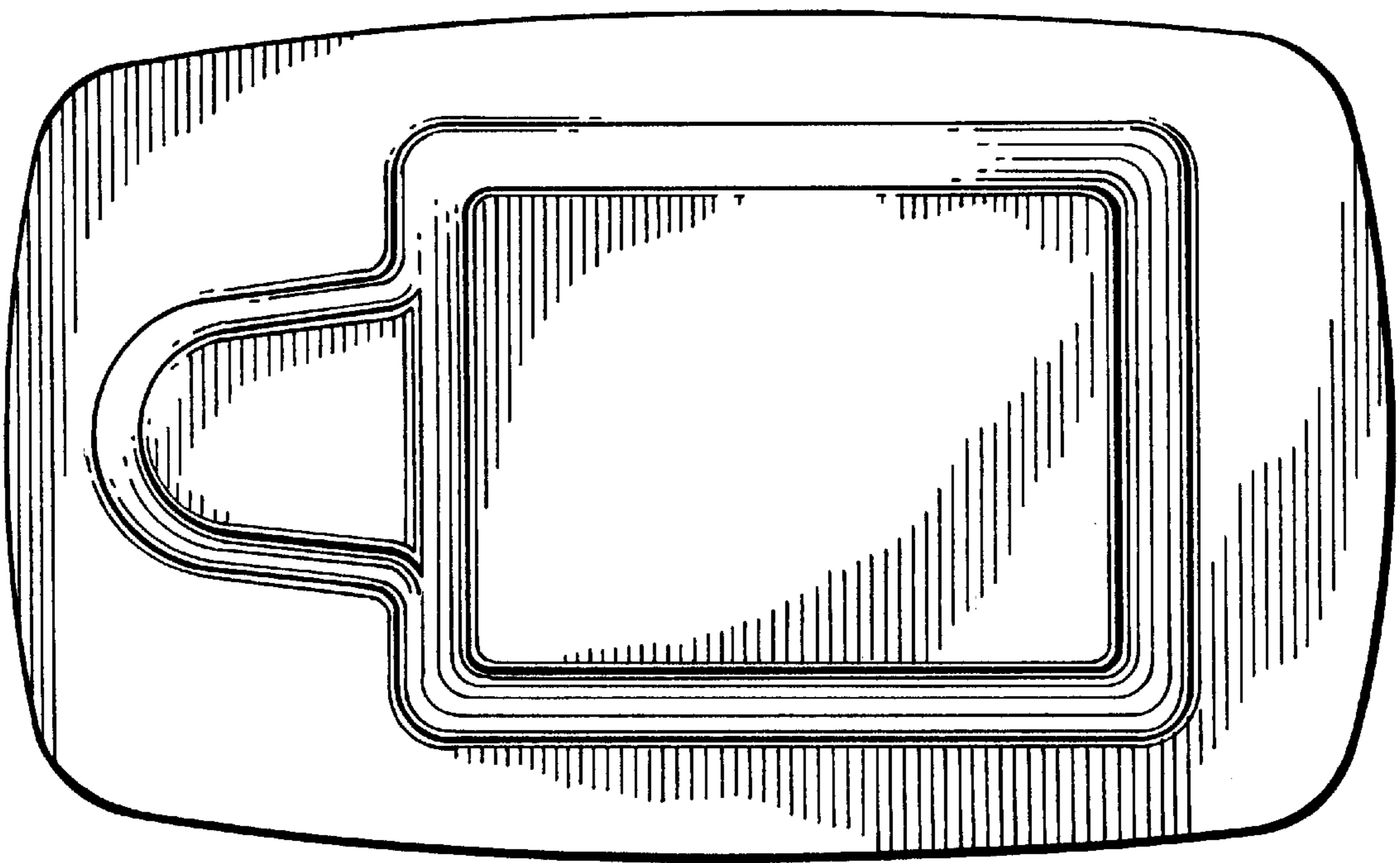


FIG. 4

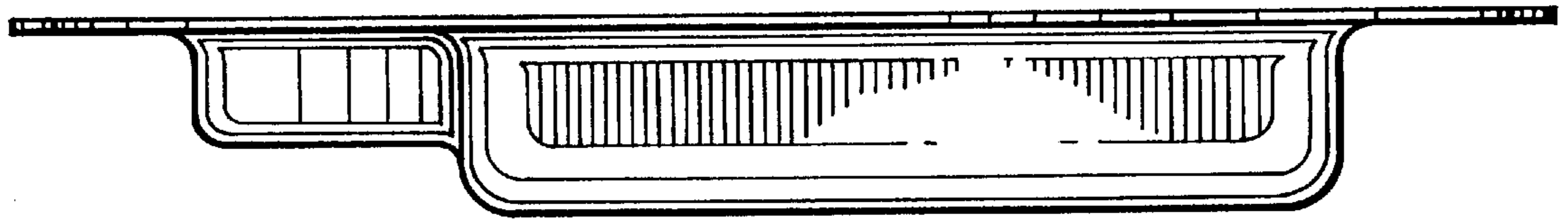


FIG. 5

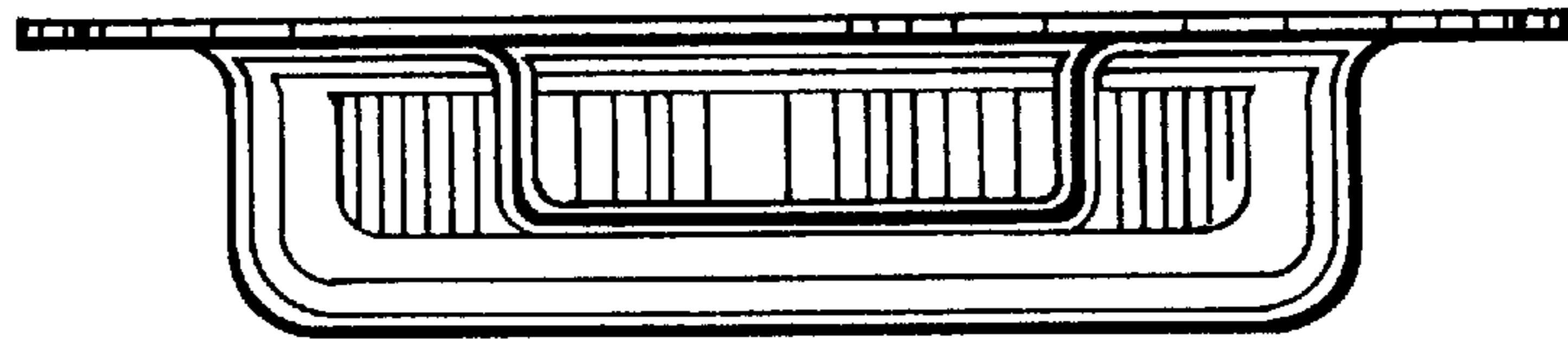


FIG. 6

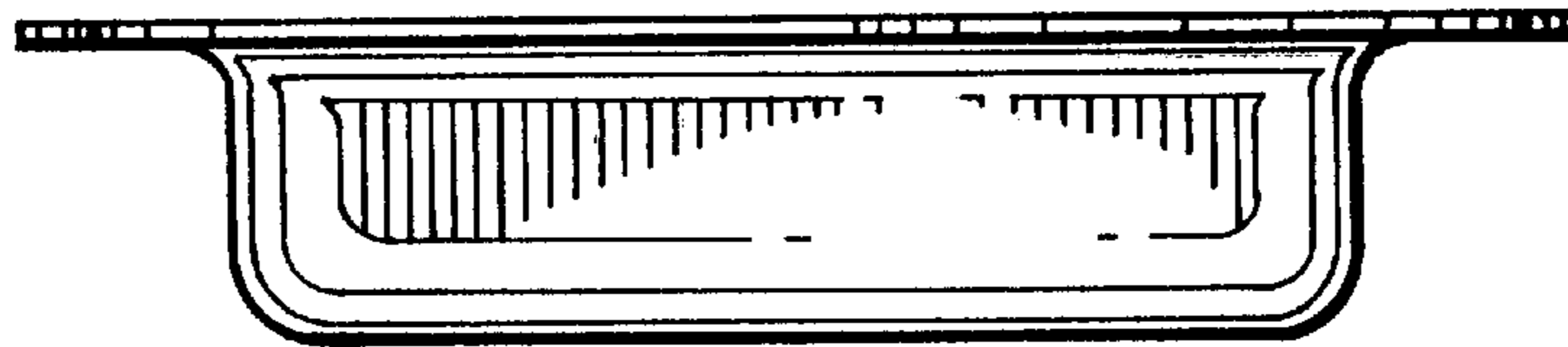


FIG. 7