



US00D459967S

(12) **United States Design Patent** (10) **Patent No.:** **US D459,967 S**
Johnson et al. (45) **Date of Patent:** **** Jul. 9, 2002**

(54) **TOOL HANDLE WITH HOLDER**
(75) Inventors: **Kenneth R. Johnson**, Campbell;
Robert L. Johnson, Cupertino; **Ronald L. Johnson**, San Jose, all of CA (US)
(73) Assignee: **Allen-Pal LLC**, San Jose, CA (US)
(**) Term: **14 Years**
(21) Appl. No.: **29/140,446**
(22) Filed: **Apr. 18, 2001**

3,061,927 A 11/1962 Von Frankenberg und Ludwigs-
dorf 30/156
3,257,991 A 6/1966 Mosch
D205,745 S * 9/1966 Nannfeldt D6/469
3,592,086 A 7/1971 Derwin 81/177 A
3,802,286 A 4/1974 Winklhofer et al.
3,943,801 A 3/1976 Yates 81/71
4,043,230 A 8/1977 Scrivens 81/177 A
4,154,125 A 5/1979 Frank 74/553
4,227,430 A 10/1980 Jansson et al. 81/177 M
4,302,990 A 12/1981 Chrichton et al. 81/60
4,384,499 A 5/1983 Shockley 81/440
4,716,795 A 1/1988 Corona et al. 81/177.4

(List continued on next page.)

Related U.S. Application Data

(63) Continuation of application No. 09/330,276, filed on Jun. 11, 1999, now Pat. No. 6,311,587, which is a continuation-in-part of application No. 08/779,336, filed on Jan. 6, 1997, now Pat. No. 5,911,799, which is a continuation of application No. 08/473,758, filed on Jun. 7, 1995, now abandoned, which is a continuation-in-part of application No. 08/282,828, filed on Jul. 29, 1994, now Pat. No. 5,592,859.
(51) **LOC (7) Cl.** **08-05**
(52) **U.S. Cl.** **D8/71; D8/85**
(58) **Field of Search** D8/70, 71, 72, D8/83, 105, 107; D3/905; 81/177.1, 177.2, 177.4, 177.6, 177.5; 206/372, 373, 379; D6/468, 469

FOREIGN PATENT DOCUMENTS

CA 1 147 176 5/1983 B25B/13/06
DE 24 53 480 5/1976
DE 37 44176 A1 8/1989 B25F/1/00
EP 856223 12/1960
EP 0 503 559 A1 9/1992 B25B/27/00
EP 0 618 046 A1 10/1994 81/177.4
FR 787512 9/1935 5/4
WO WO 83/01406 4/1983 B25G/1/08
WO WO 97/29887 8/1997 B25F/1/04

Primary Examiner—Philip S. Hyder
(74) *Attorney, Agent, or Firm*—Haverstock & Owens LLP

(57) **CLAIM**

The ornamental design for a tool handle with holder, as shown and described.

(56) **References Cited**

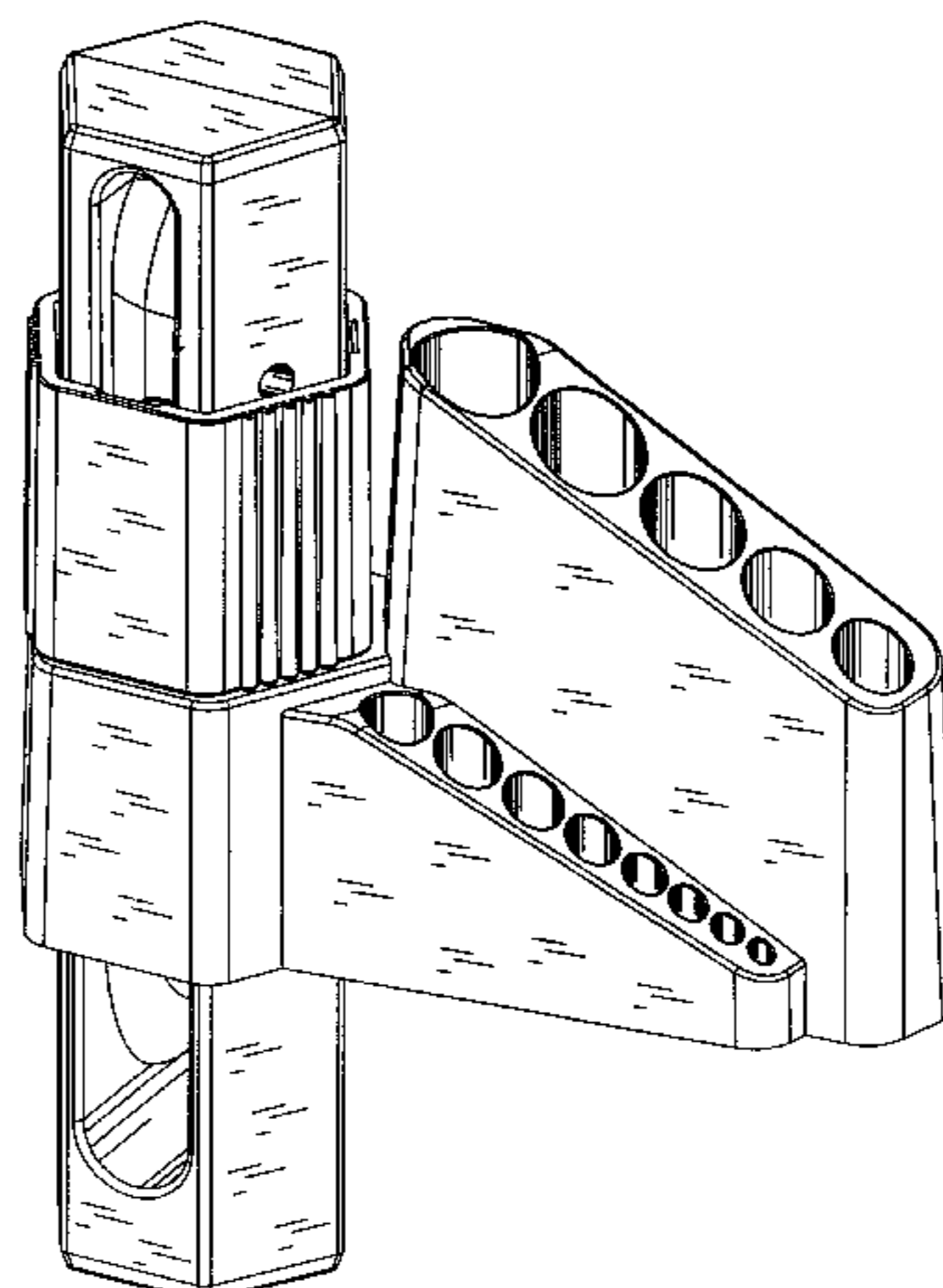
U.S. PATENT DOCUMENTS

647,528 A 4/1900 Schmidt
1,172,656 A 2/1916 Yorgensen
1,337,769 A 4/1920 Hemming
1,398,583 A 11/1921 Bovee
1,500,852 A 7/1924 Shephard
2,332,656 A 10/1943 Mirando 30/22
2,409,613 A 10/1946 Brooks 306/32
D156,677 S 12/1949 Smith D17/14
D157,154 S 2/1950 Horton 206/375
2,512,967 A 6/1950 Quirion 145/50
2,530,024 A 11/1950 Moody 206/17
2,715,028 A 8/1955 Dossie 279/9
2,804,970 A 9/1957 Kuc et al. 206/16

DESCRIPTION

FIG. 1 illustrates a front perspective view of a tool handle with holder;
FIG. 2 illustrates a front elevation view thereof;
FIG. 3 illustrates a back elevation view thereof;
FIG. 4 illustrates a right side elevation view thereof;
FIG. 5 illustrates a left side elevation view thereof;
FIG. 6 illustrates a top plan view thereof;
FIG. 7 illustrates a bottom plan view thereof; and,
FIG. 8 illustrates a back perspective view thereof.

1 Claim, 8 Drawing Sheets



US D459,967 S

Page 2

U.S. PATENT DOCUMENTS

4,716,796 A	1/1988	Corona et al.	81/177.4	5,581,834 A	12/1996	Collins	7/118
4,820,090 A	4/1989	Chen	408/241 R	D377,444 S	1/1997	Lin	D8/107
4,882,841 A	11/1989	Margolis	30/125	5,592,859 A	1/1997	Johnson et al.	81/177.4
4,926,721 A	5/1990	Hsiao	81/177.4	D378,797 S	4/1997	Poremba et al.	D8/107
4,934,223 A	6/1990	Wong	81/490	D382,190 S	8/1997	Blackston et al.	D8/107
4,979,407 A	12/1990	Hernandez et al.	81/3.09	D383,048 S	9/1997	Sorenson et al.	D8/107
5,029,707 A	7/1991	Feng	206/374	5,662,013 A	9/1997	Lin	81/490
5,062,173 A	11/1991	Collins et al.	7/118	D385,172 S	10/1997	Bramsiepe et al.	D8/83
5,146,815 A	9/1992	Scott, III	81/437	5,711,042 A	1/1998	Chuang	7/138
D333,769 S	3/1993	Jureckson	D8/71	D394,794 S	6/1998	Vasudeva	D8/107
D334,516 S	4/1993	Tsunoda	D8/29	5,765,247 A	6/1998	Seber et al.	7/128
D339,048 S	9/1993	Baum	D8/107	5,791,211 A	8/1998	Bondhus et al.	81/440
5,263,389 A	11/1993	Frazzell et al.	81/124.3	D400,775 S	11/1998	Hsu	D8/107
5,265,504 A	11/1993	Fruhm	81/439	D405,335 S	2/1999	Lin	D8/82
D342,433 S	12/1993	Sorenson	D8/107	5,911,799 A	6/1999	Johnson et al.	81/177.4
5,271,300 A	12/1993	Zurbuchen et al.	81/124.4	5,916,277 A	6/1999	Dallas	7/128
D343,106 S	1/1994	Eklind et al.	D8/71	5,970,828 A	10/1999	Bondhus et al.	81/440
5,320,004 A	6/1994	Hsiao	81/440	D415,946 S	11/1999	Tsai	D8/107
5,450,774 A	9/1995	Chang	81/440	5,992,626 A	11/1999	Anderson	206/378
5,495,942 A	3/1996	Izhak	206/372	D420,885 S	2/2000	Lin	D8/107
5,499,562 A	3/1996	Feng	81/177.4	D426,449 S	6/2000	Eklind	D8/107
5,517,885 A	5/1996	Feng	81/177.4	D426,450 S	6/2000	Eklind	D8/107
5,522,291 A	6/1996	Liu	81/490	D427,875 S	7/2000	Chiu	D8/105
5,535,882 A	7/1996	Liu	206/377	6,128,981 A	10/2000	Bondhus et al.	81/440
D373,943 S *	9/1996	Fuhrmann	D8/71	D435,415 S	12/2000	Johnson et al.	D8/71
5,553,340 A	9/1996	Brown, Jr.	7/118	D435,773 S	1/2001	Lin	D8/83
5,566,596 A	10/1996	Lin	81/490	D437,541 S	2/2001	Hermansen et al.	D8/105
D376,520 S	12/1996	Morin	D8/14				

* cited by examiner

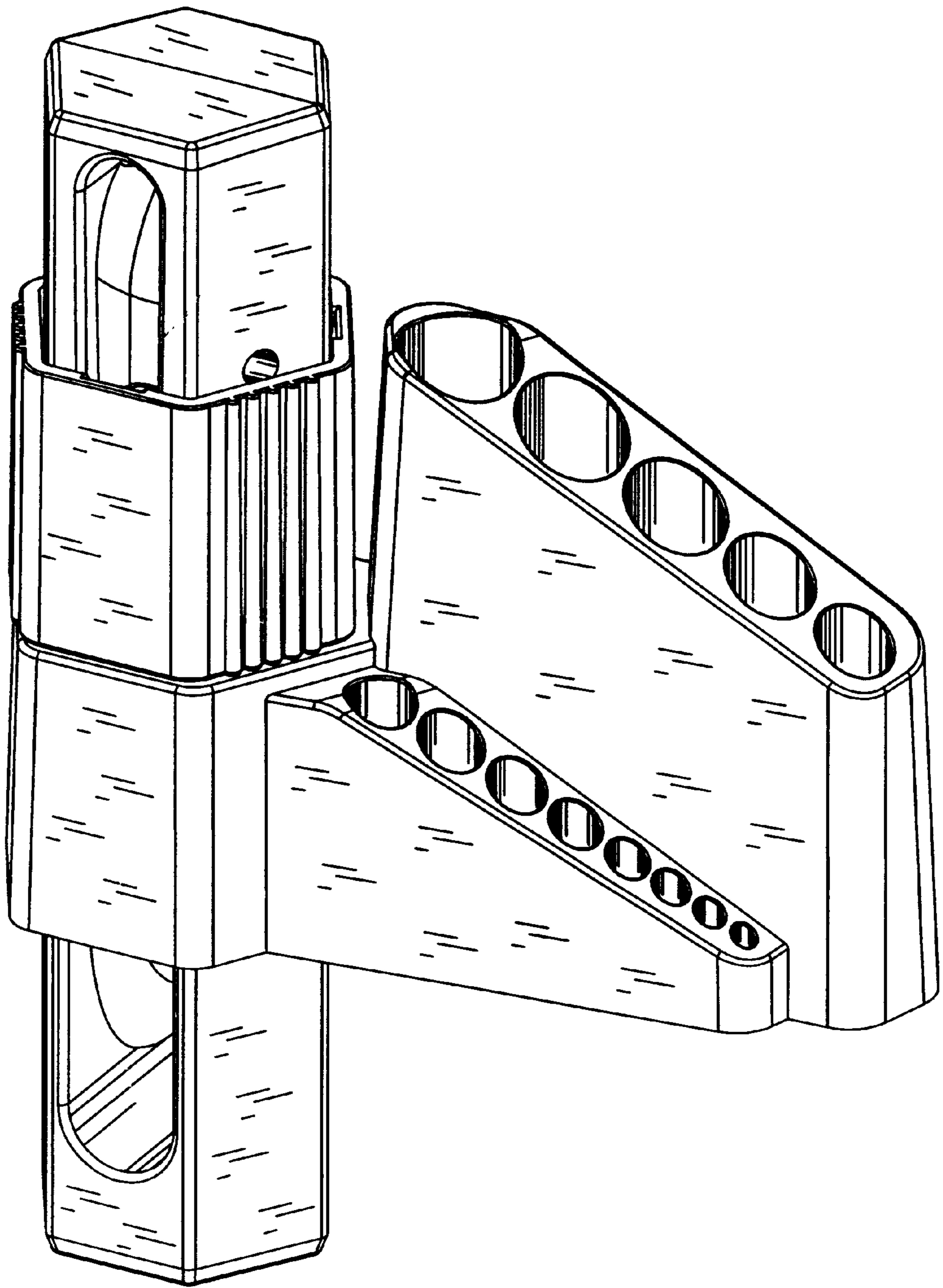


FIGURE 1

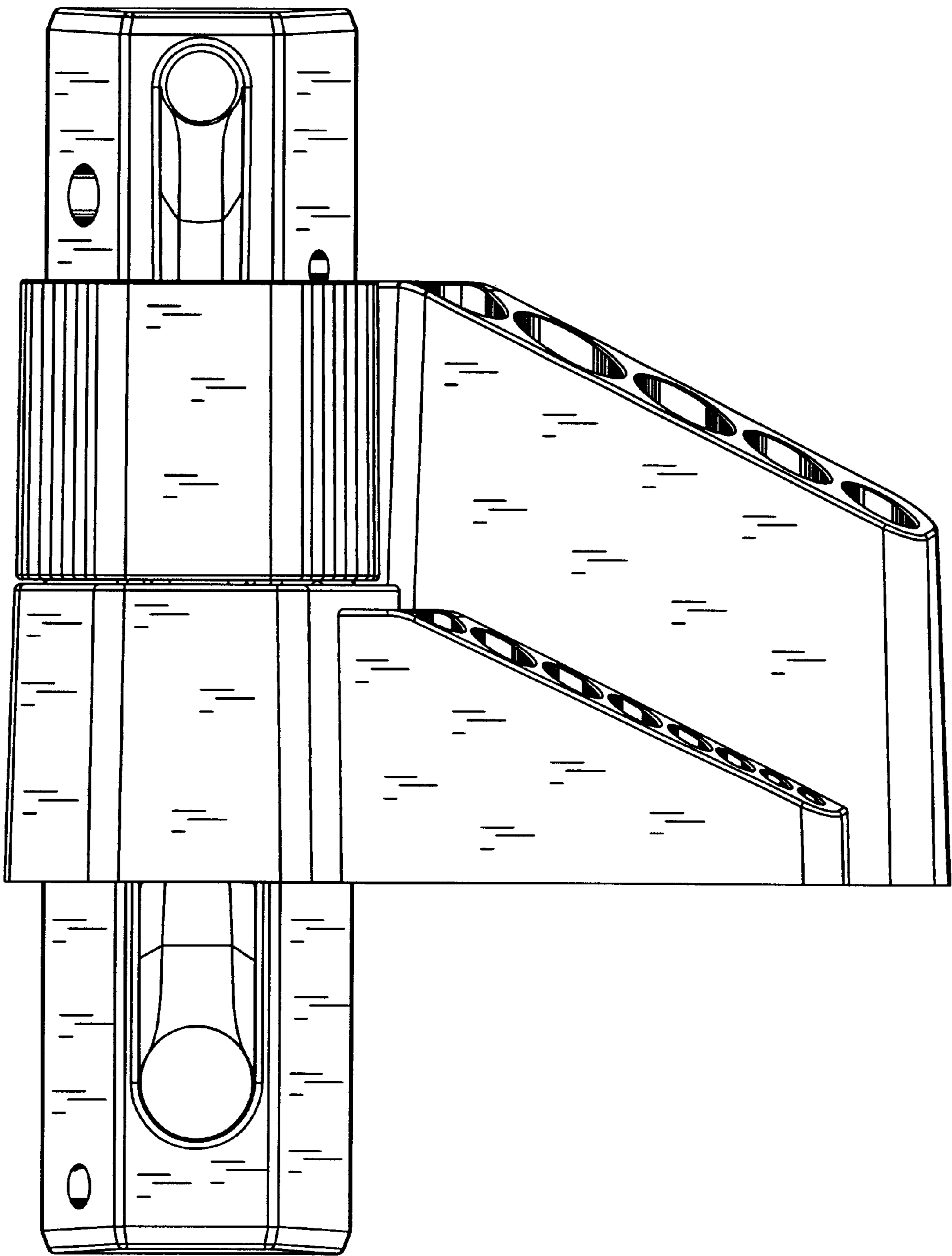


FIGURE 2

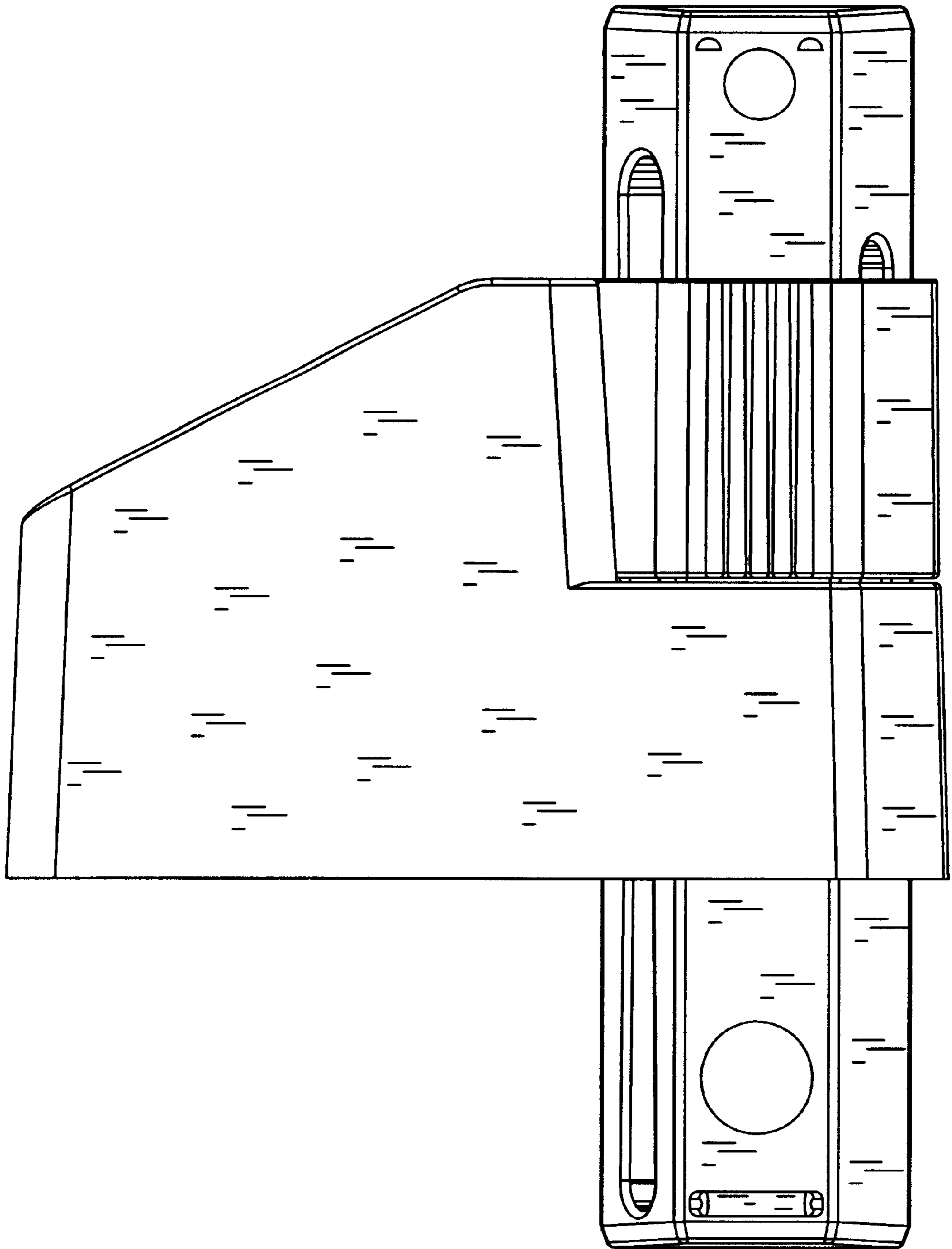


FIGURE 3

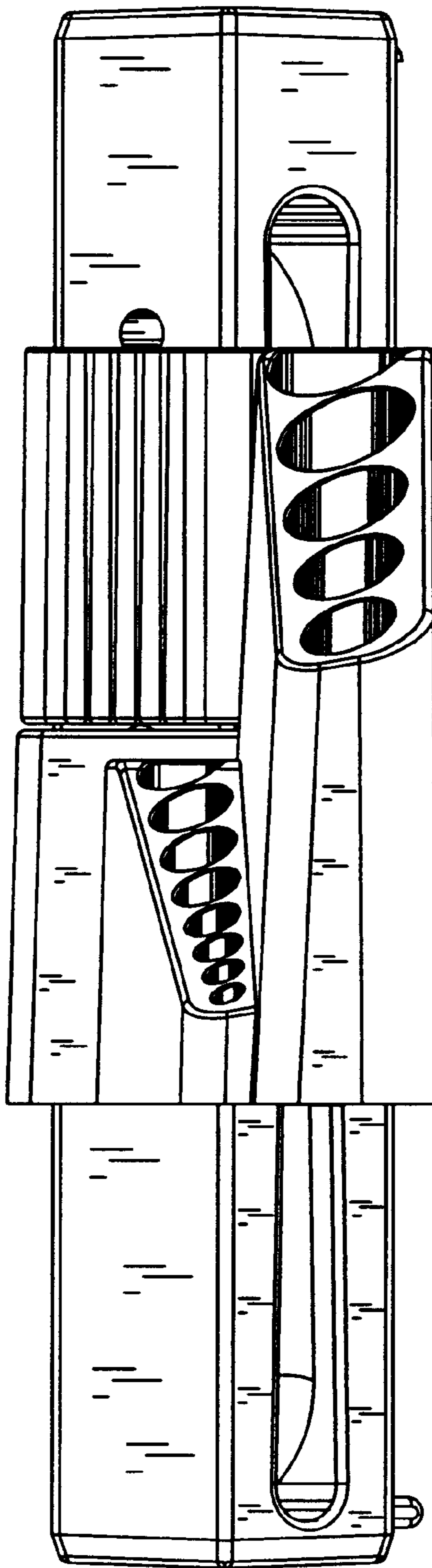


FIGURE 4

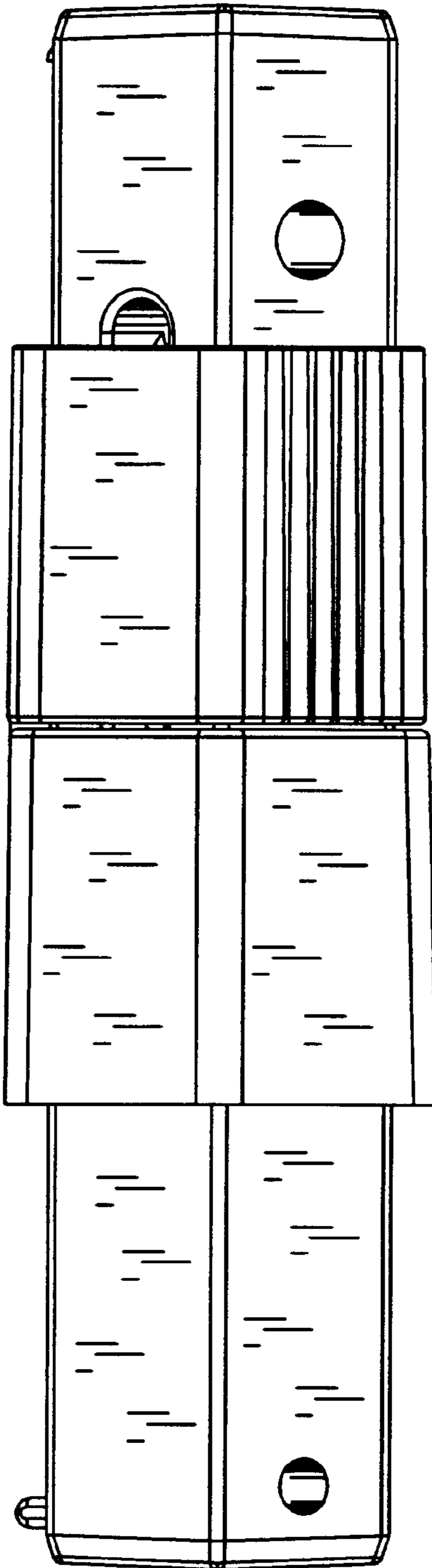


FIGURE 5

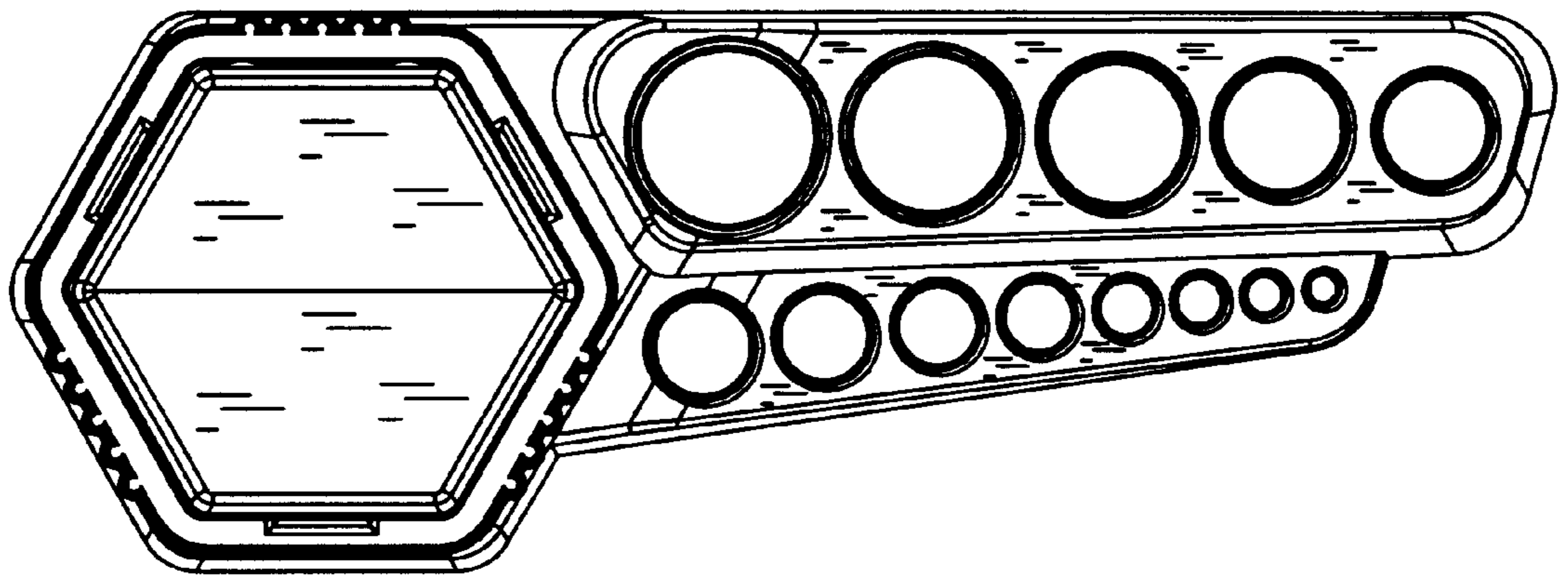


FIGURE 6

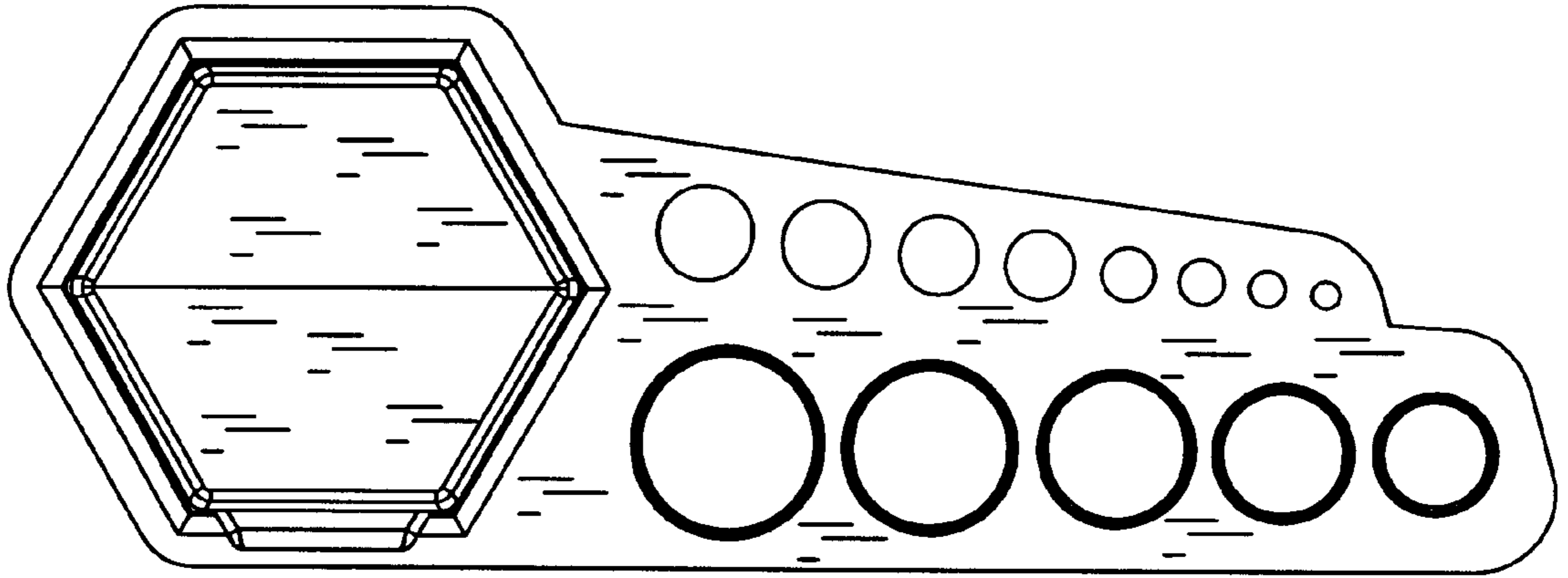


FIGURE 7

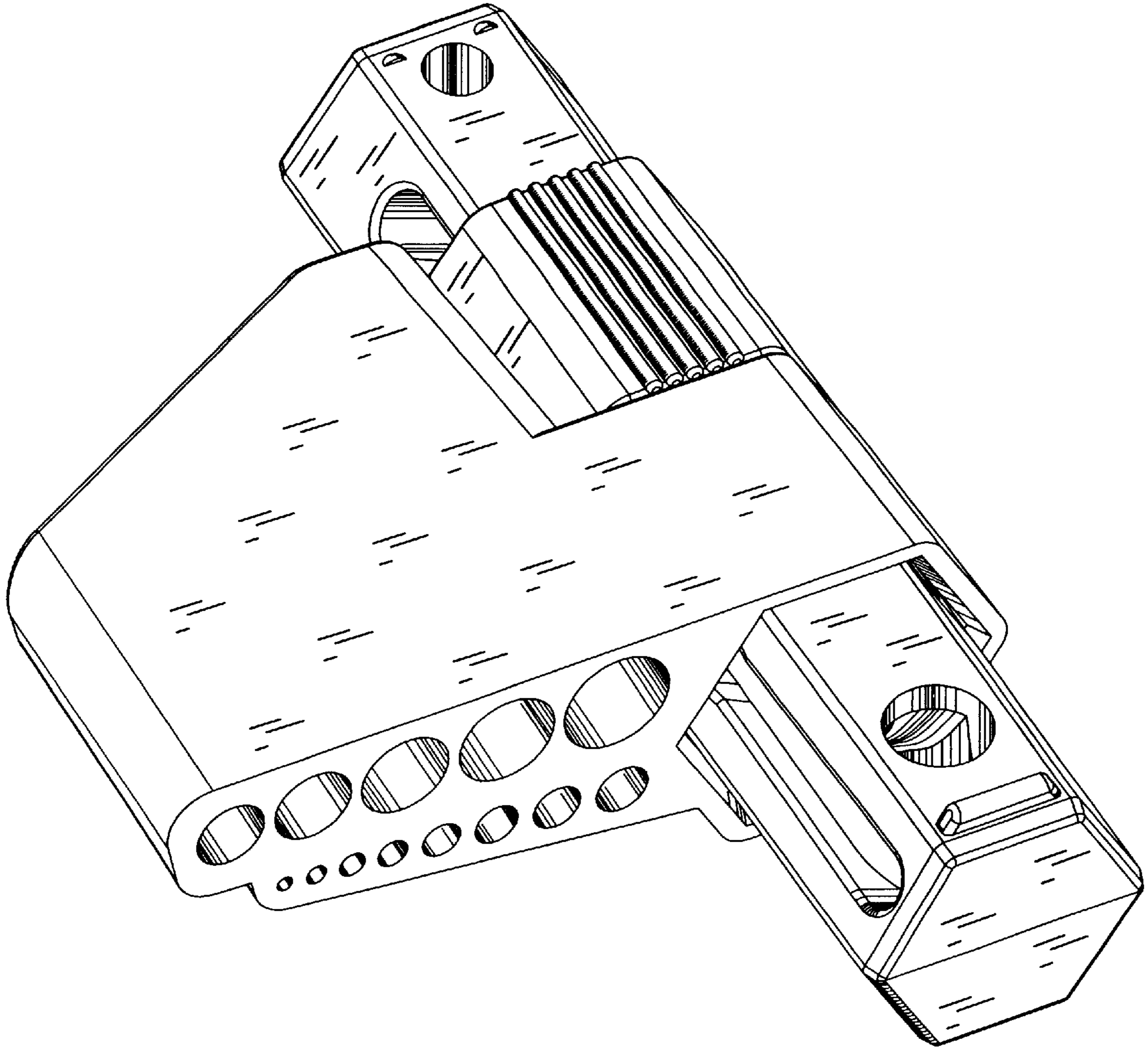


FIGURE 8