



US00D459966S

(12) **United States Design Patent**
So

(10) **Patent No.:** **US D459,966 S**

(45) **Date of Patent:** **** Jul. 9, 2002**

(54) **DRILL**

(75) Inventor: **Kwok Chi So**, Kowloon (CN)

(73) Assignees: **Test-Rite Products (Hong Kong) Limited; Top Link Industrial Co. Ltd.**, both of Kowloon (CN)

(**) Term: **14 Years**

(21) Appl. No.: **29/138,913**

(22) Filed: **Mar. 21, 2001**

(51) **LOC (7) Cl.** **08-01**

(52) **U.S. Cl.** **D8/68**

(58) **Field of Search** D8/49, 61, 62, D8/63, 64, 65, 66, 67, 68, 69, 70; 16/430; 30/388; 81/52, 54, 55, 57.11, 57.13, 57.14, 57.33, 57.42, 73, 177.1, 177.8, 177.85, 409, 429, 436, 463, 464, 467, 469, 470, 900, 901, DIG. 12; 173/13, 15, 19, 47, 48, 81, 93, 93.5, 93.6, 94, 104, 109, 168, 169, 170, 171, 176, 178, 180, 181, 213, 216, 217, 221; 227/2, 8, 10, 66, 111, 112, 113, 114, 115, 120, 130, 136; 400/156, 181; 408/20, 120, 122, 124, 125, 234, 241 R, 241 S; 451/344, 354, 357, 358, 359, 456

(56)

References Cited

U.S. PATENT DOCUMENTS

D131,657 S	*	3/1942	Decker	D8/61
D239,917 S	*	5/1976	Baker	D8/68
D297,399 S	*	8/1988	Furutsu	D8/68
D379,910 S	*	6/1997	Hannen et al.	D8/68
D393,581 S	*	4/1998	McCallops et al.	D8/68
D394,994 S	*	6/1998	Dreve	D8/68

* cited by examiner

Primary Examiner—Doris V. Coles

Assistant Examiner—T. Chase Nelson

(74) *Attorney, Agent, or Firm*—Alix, Yale & Ristas, LLP

(57)

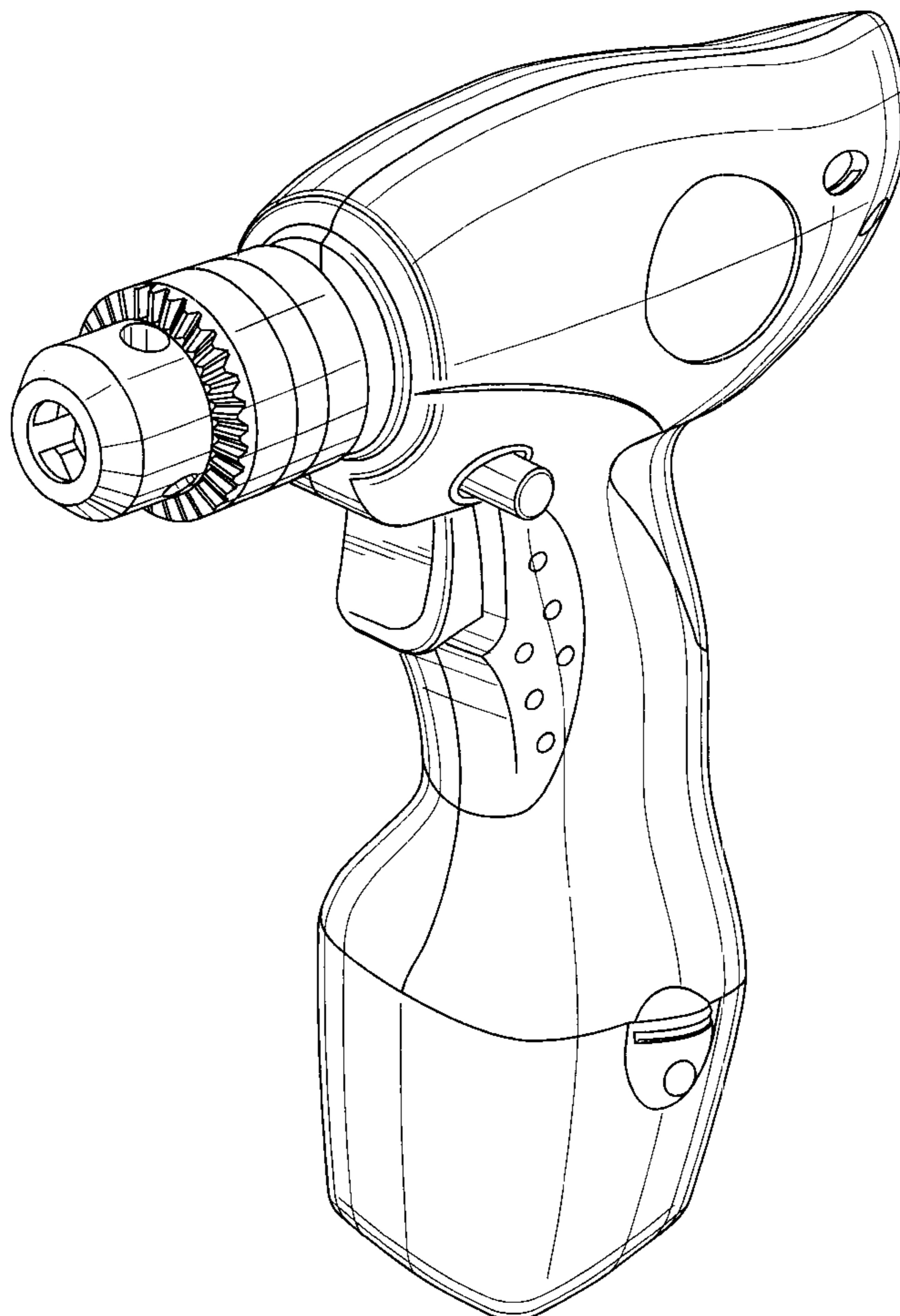
CLAIM

The ornamental design for a drill, as shown and described.

DESCRIPTION

FIG. 1 is a perspective view of a drill showing my new design;
FIG. 2 is a front elevational view thereof;
FIG. 3 is a rear elevational view thereof;
FIG. 4 is a right side elevational view thereof;
FIG. 5 is a left side elevational view thereof;
FIG. 6 is a top plan thereof; and,
FIG. 7 is a bottom plan view thereof.

1 Claim, 5 Drawing Sheets



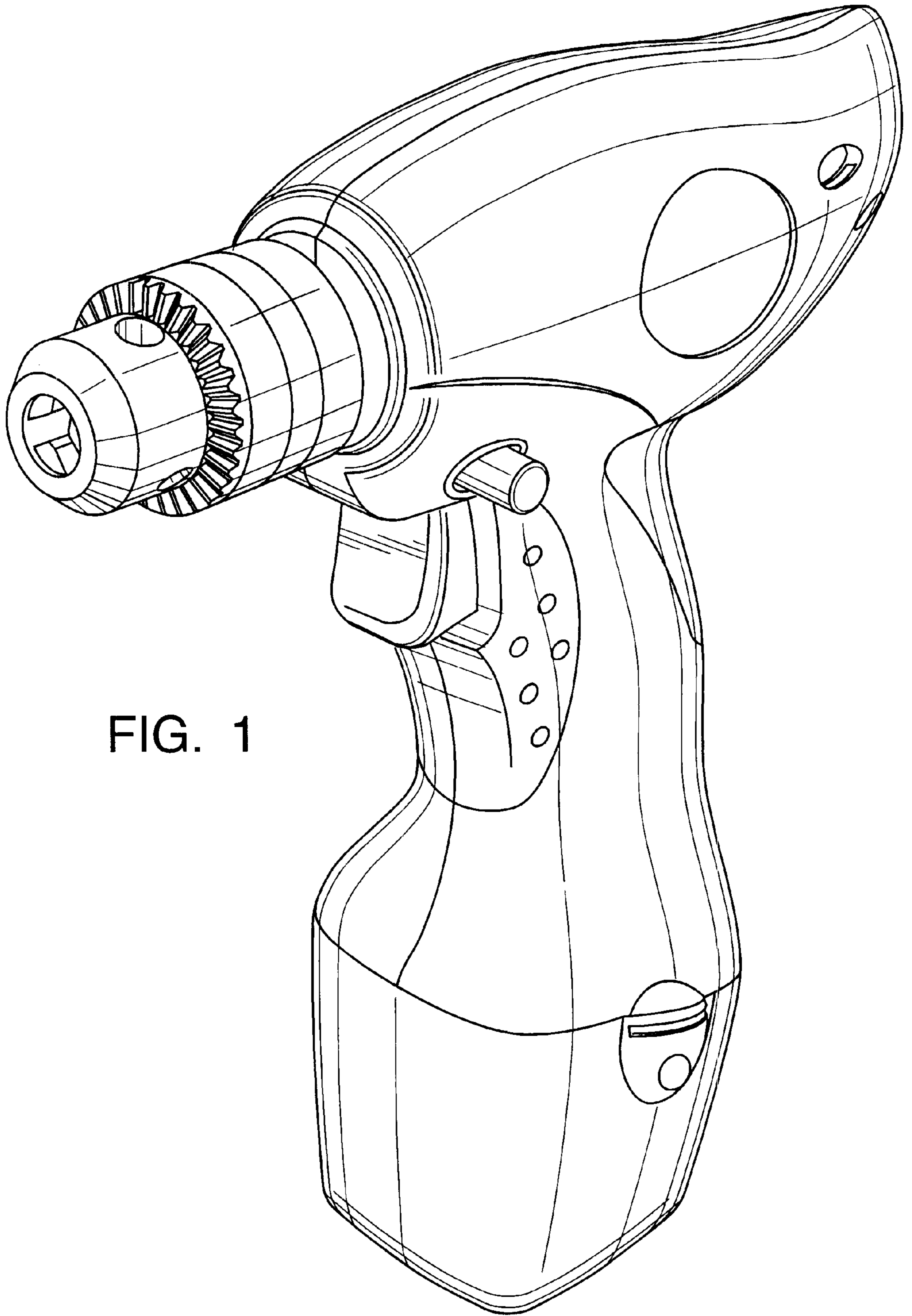


FIG. 1

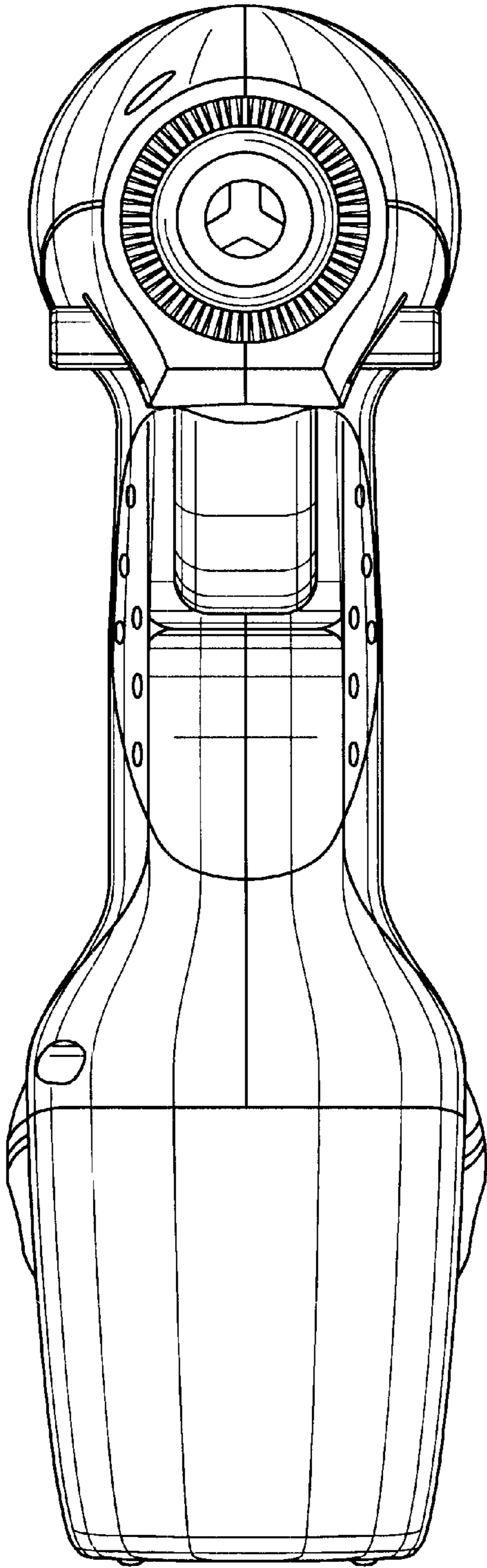


FIG. 2

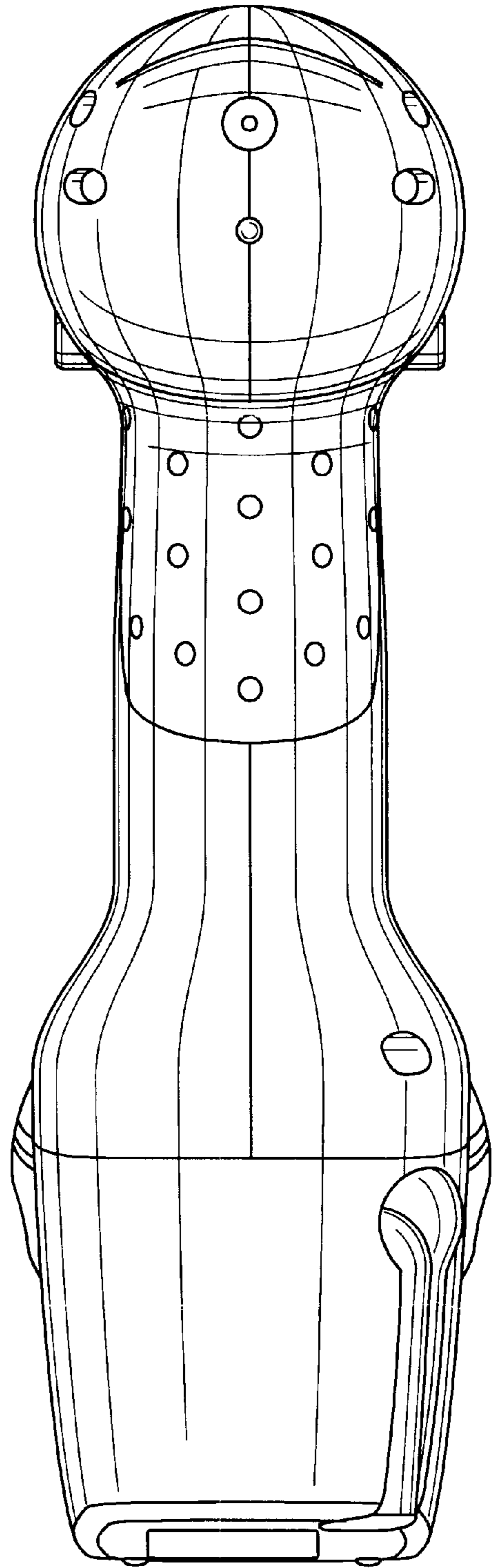


FIG. 3

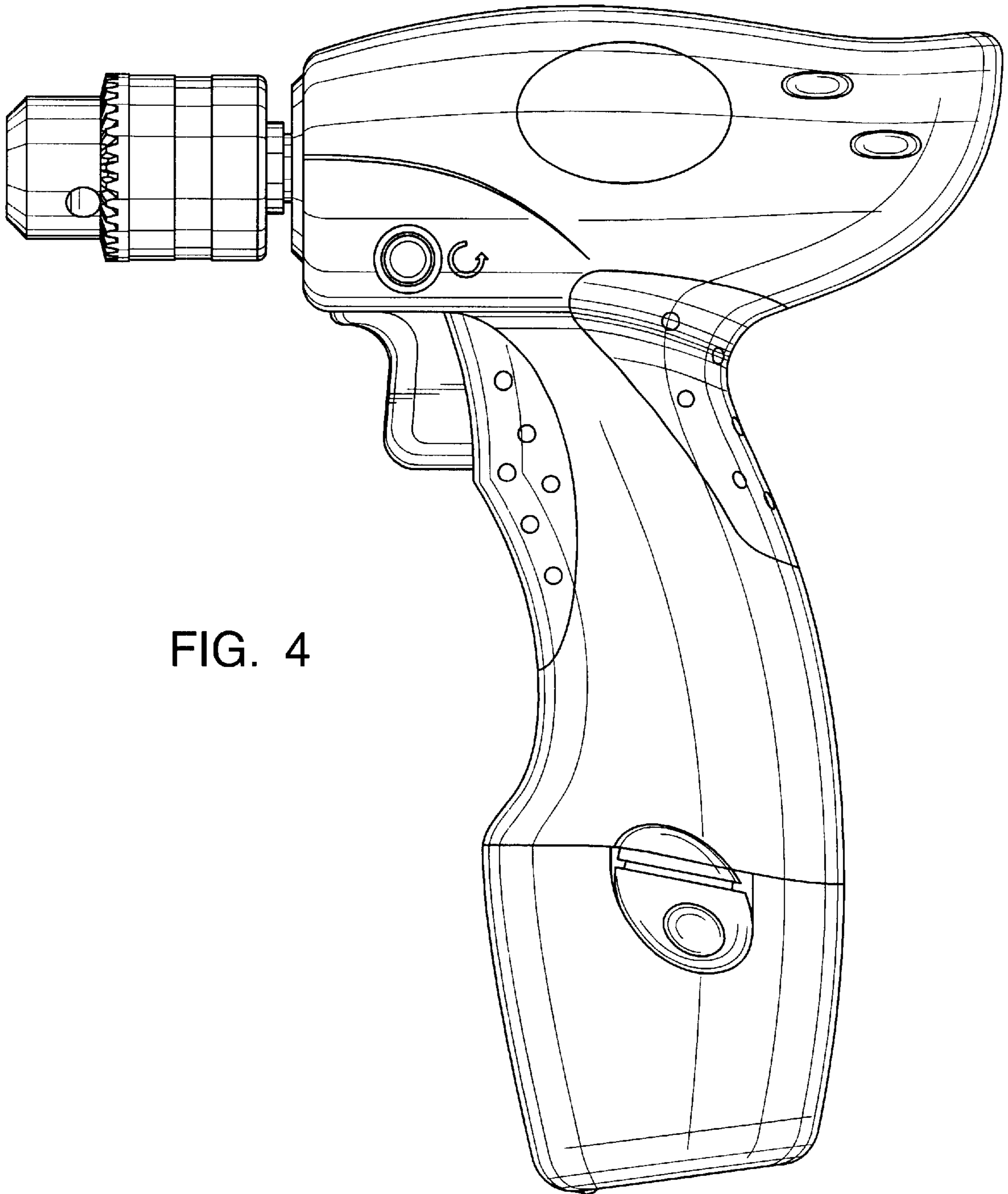


FIG. 4

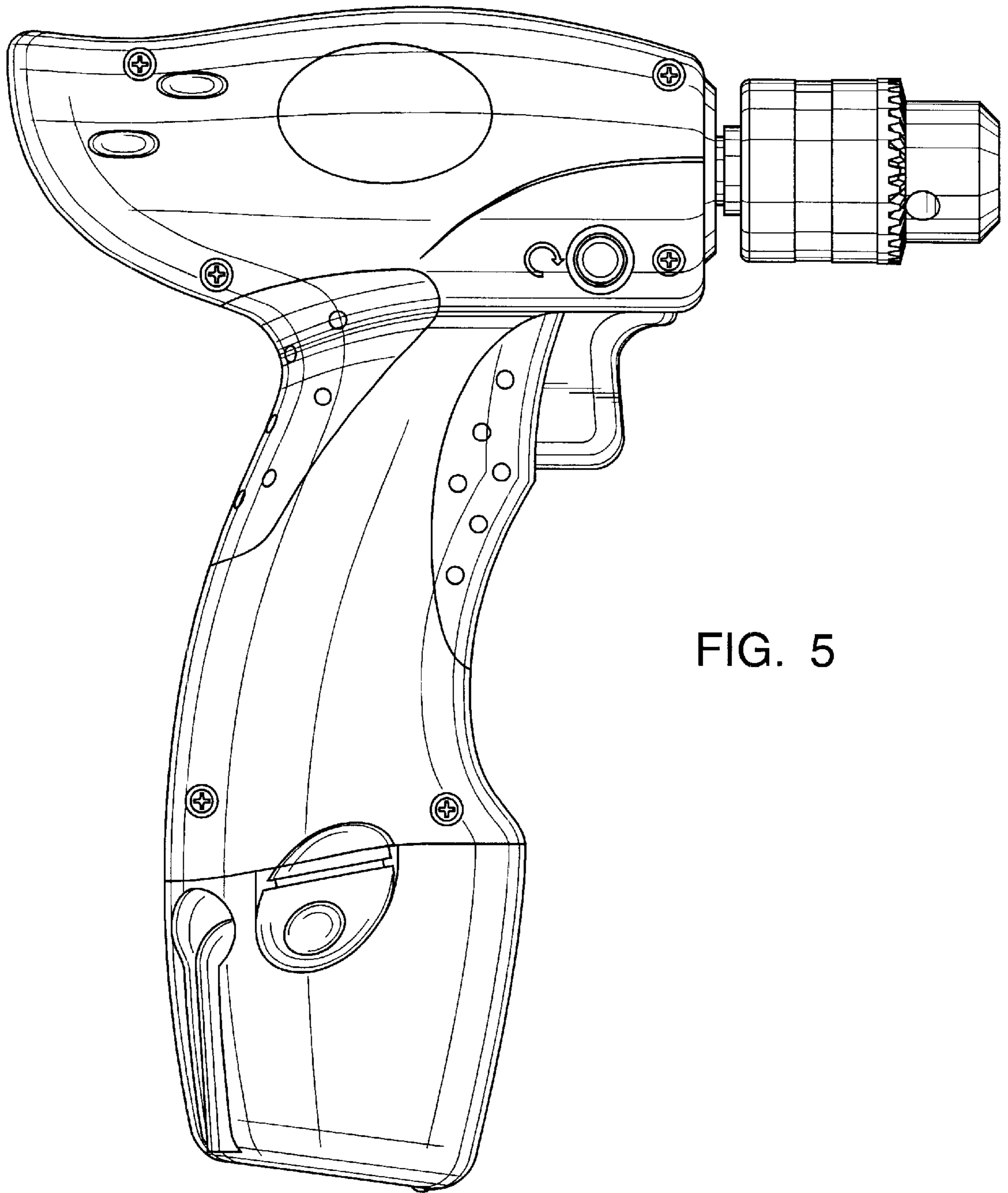


FIG. 5

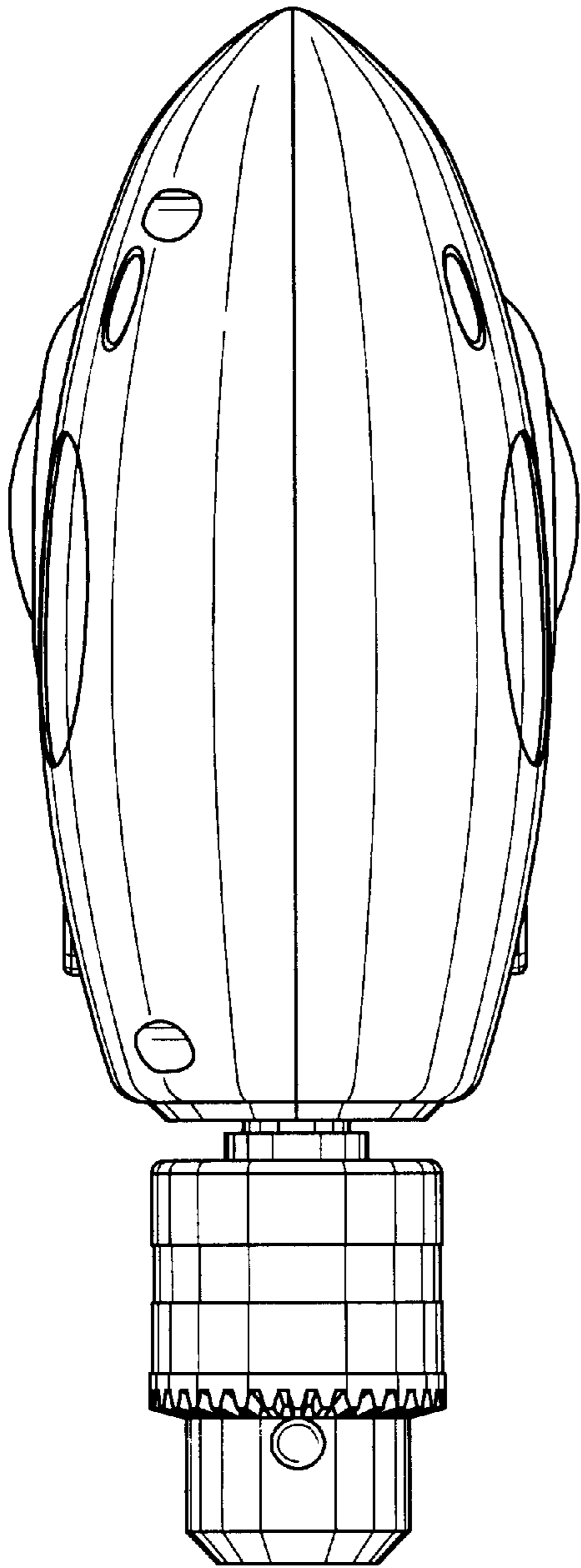


FIG. 6

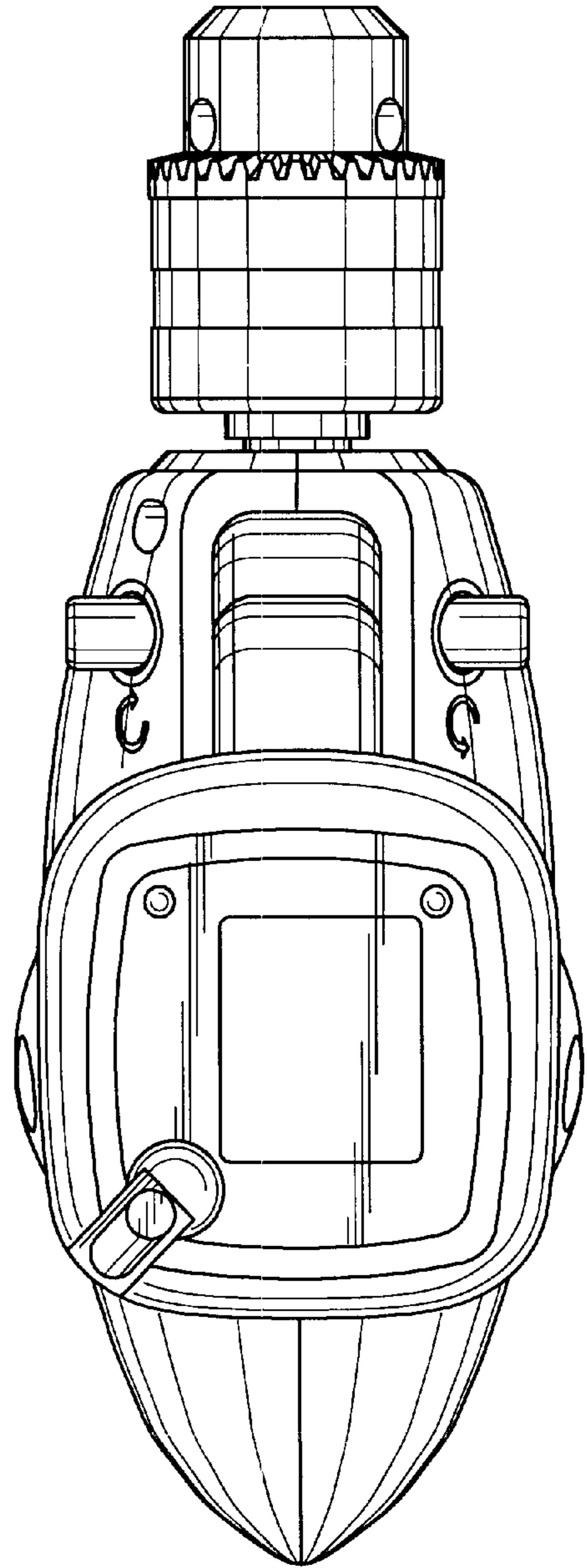


FIG. 7