



US00D459961S

(12) **United States Design Patent**
Carroll

(10) **Patent No.:** **US D459,961 S**

(45) **Date of Patent:** **** Jul. 9, 2002**

(54) **EXTENDABLE SPLINE-DRIVE SOCKET ASSEMBLY**

(76) **Inventor:** **Sean M. Carroll**, 1145 El Camino Real #2, Burlingame, CA (US) 94010

(**) **Term:** **14 Years**

(21) **Appl. No.:** **29/136,362**

(22) **Filed:** **Jan. 29, 2001**

Related U.S. Application Data

(63) Continuation of application No. 09/185,235, filed on Nov. 3, 1998, now abandoned.

(51) **LOC (7) Cl.** **08-05**

(52) **U.S. Cl.** **D8/29; D8/70**

(58) **Field of Search** D8/29, 61, 62, D8/63, 64, 67, 68, 69, 70; 142/57; 279/9.1, 14, 19.5, 136; 403/298; 81/124.4, 177.2, 177.85

(56) **References Cited**

U.S. PATENT DOCUMENTS

3,774,482	A	*	11/1973	Morin	D8/29
4,852,672	A	*	8/1989	Behrens	175/389
D353,756	S	*	12/1994	Graves	D8/29
D358,082	S	*	5/1995	Trezza	D8/70
D398,823	S	*	9/1998	Hsieh	D8/29
D419,845	S	*	2/2000	Yasutomi et al.	D8/70
D433,296	S	*	11/2000	Yamakawa	D8/29
D436,513	S	*	1/2001	Yamakawa	D8/29
D441,264	S	*	5/2001	Bruns et al.	D8/29

* cited by examiner

Primary Examiner—Doris V. Coles

Assistant Examiner—Elizabeth A. Albert

(74) *Attorney, Agent, or Firm*—Carol D. Titus; James J. Leary

(57) **CLAIM**

The ornamental design for a extendable spline-drive socket assembly, as shown and described.

DESCRIPTION

FIG. 1 is an exploded perspective view of the extendable spline-drive socket assembly, the broken line showing of the drill, nut and threaded rod is for illustrative purposes only and forms no part of the claimed design;

FIG. 2 is a perspective view thereof in assembled condition;

FIG. 3 is a front end perspective view of the socket thereof;

FIG. 4 is a front end view of the socket thereof;

FIG. 5 is a back end view of the socket thereof;

FIG. 6 is a side view of the socket thereof, the other side being a mirror image thereof;

FIG. 7 is a cross-sectional view of the socket thereof taken along the line 7—7 in FIG. 5;

FIG. 8 is a front end perspective view of the extension thereof;

FIG. 9 is a back end view of the extension thereof;

FIG. 10 is a front end view of the extension thereof;

FIG. 11 is a side view of the extension thereof, the other side being a mirror image thereof;

FIG. 12 is a cross-sectional view of the extension thereof taken along the line 12—12 in FIG. 10;

FIG. 13 is a front end perspective view of the drive adaptor thereof;

FIG. 14 is a back end perspective view of the drive adaptor thereof;

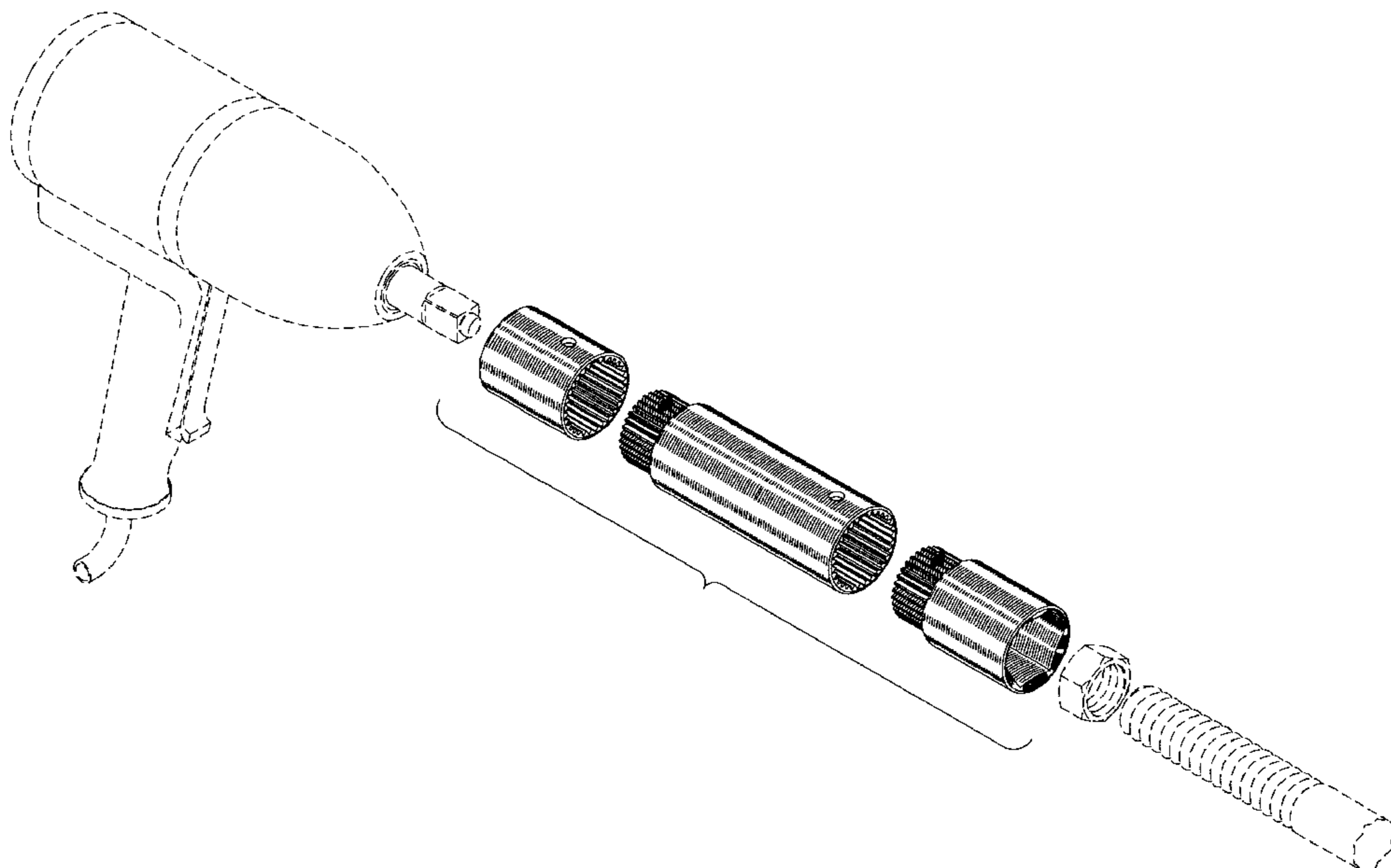
FIG. 15 is a back end view of the drive adaptor thereof;

FIG. 16 is a front end view of the drive adaptor thereof;

FIG. 17 is a side view of the drive adaptor thereof, the other side being a mirror image thereof; and,

FIG. 18 is a cross-sectional view of the drive adaptor thereof taken along the line 18—18 in FIG. 16.

1 Claim, 4 Drawing Sheets



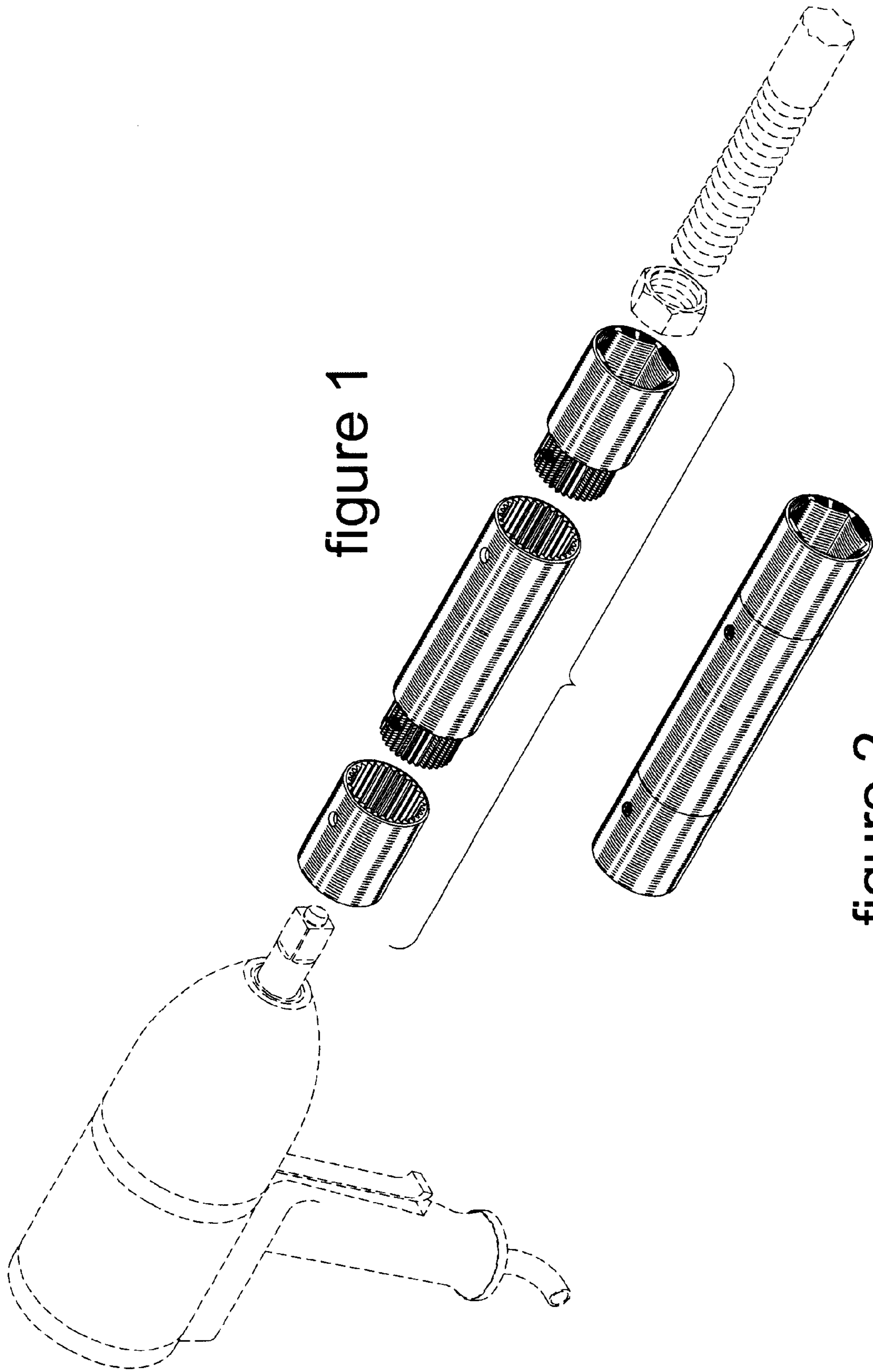


figure 1

figure 2

figure 3

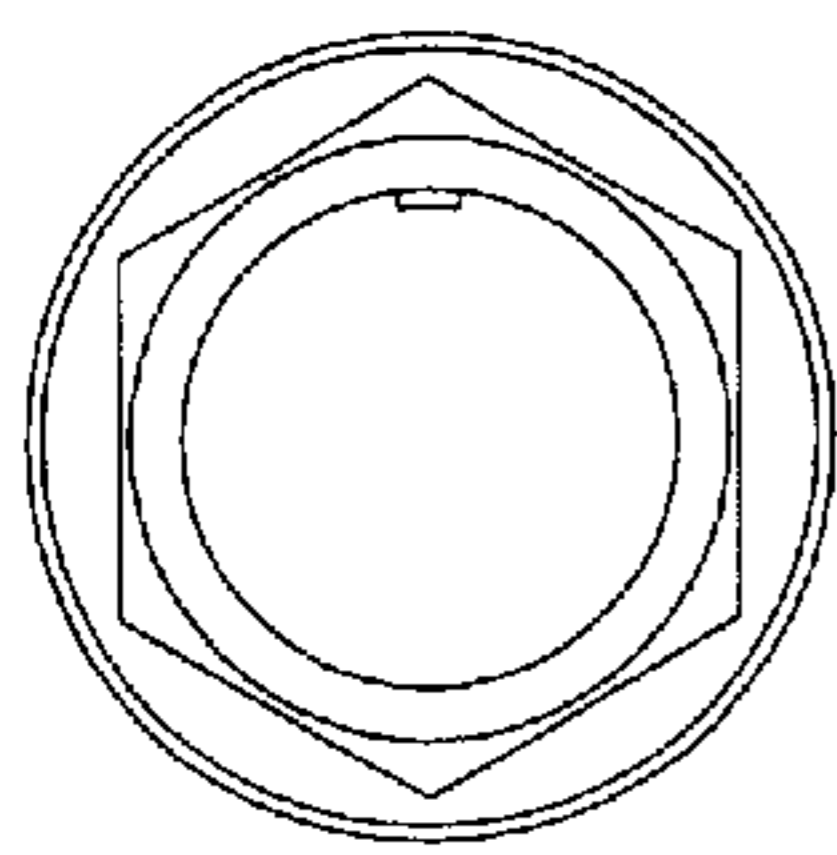
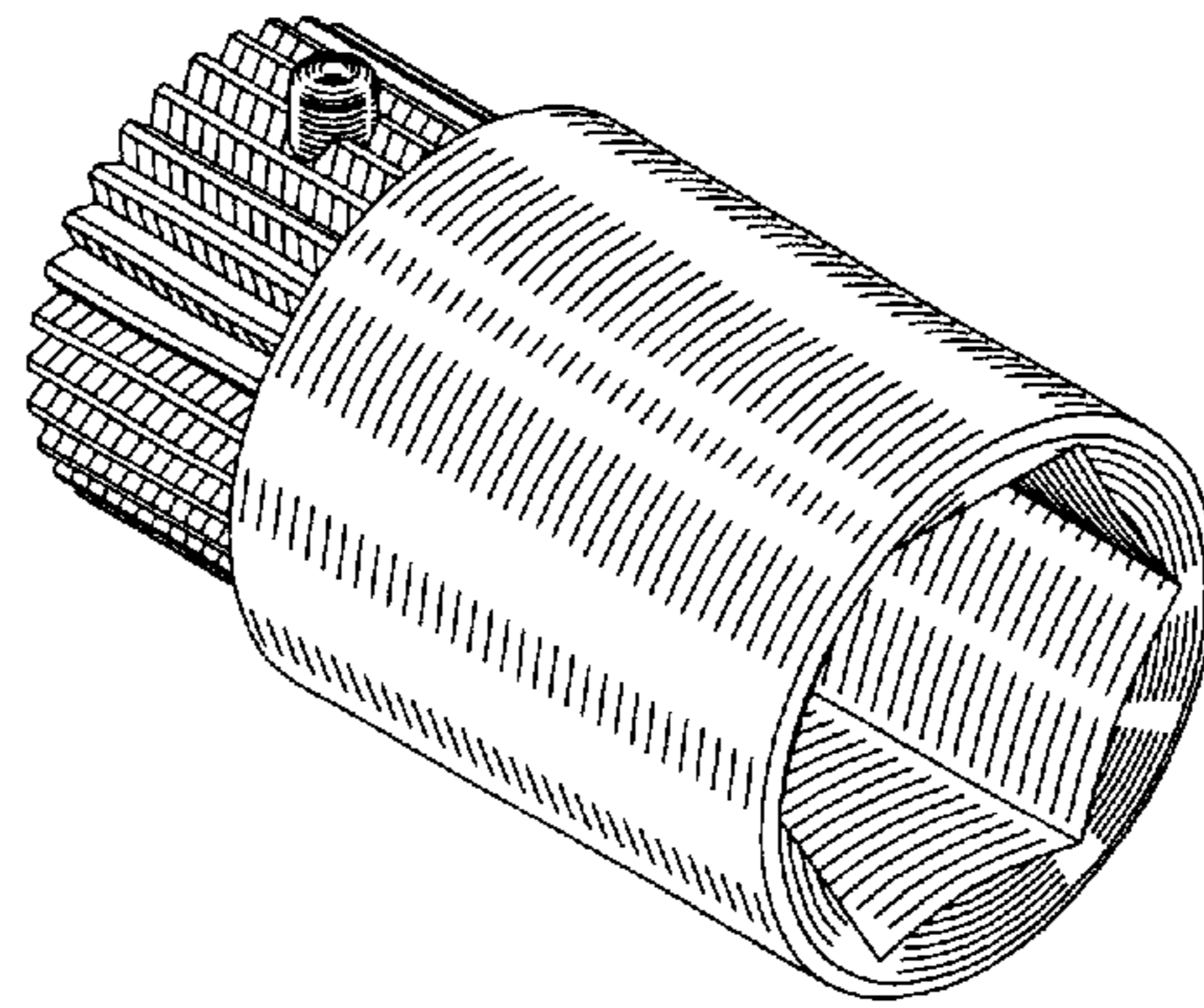


figure 4

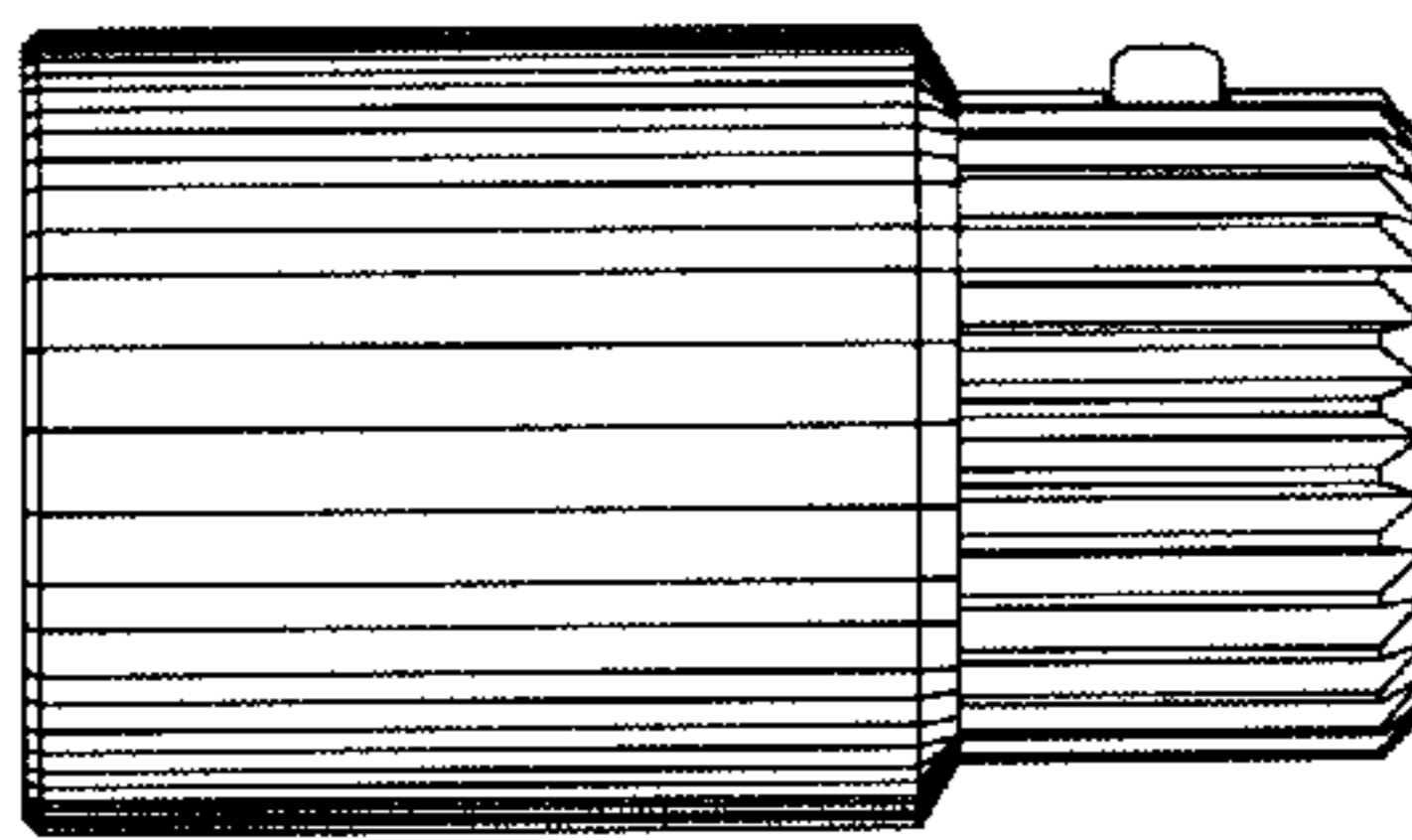


figure 6

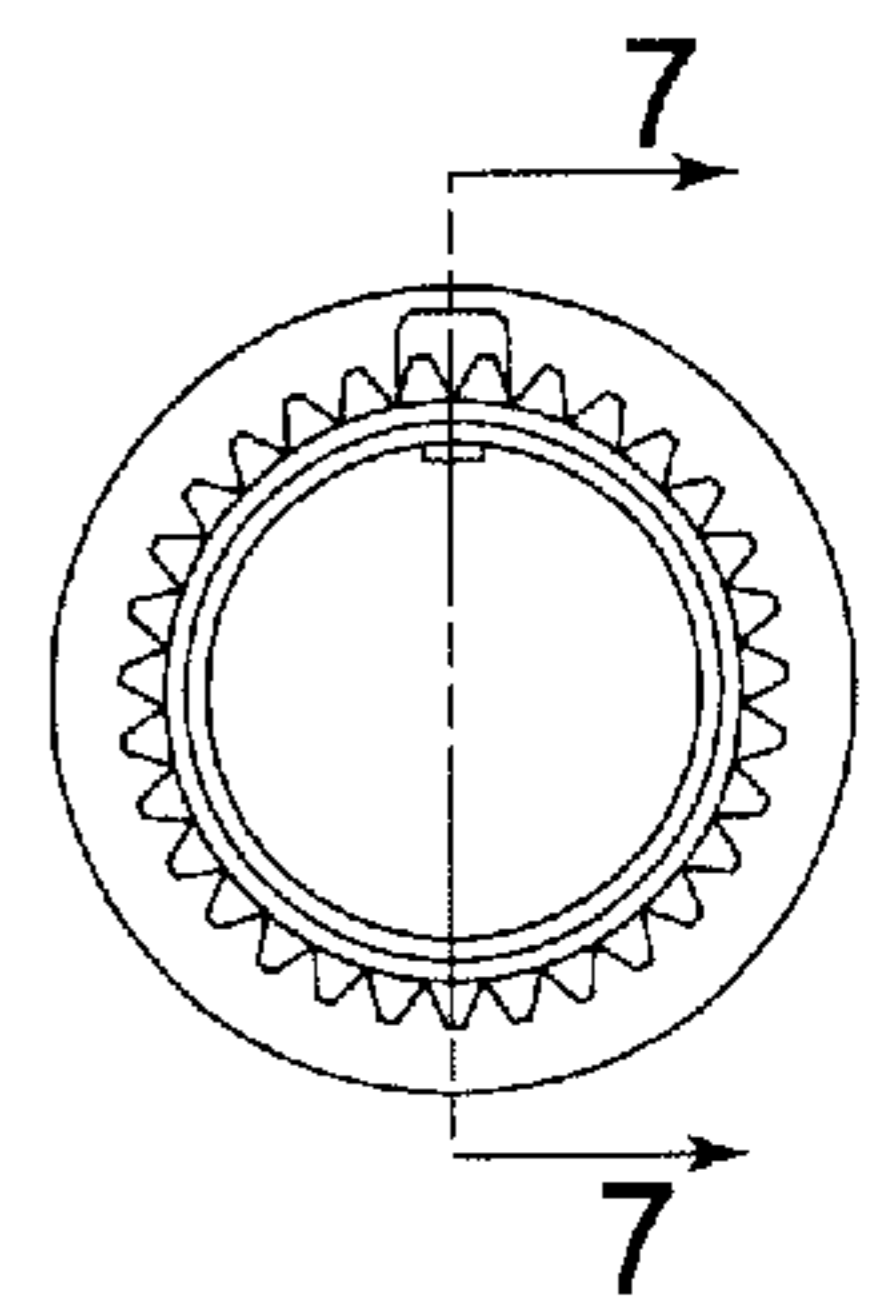


figure 5

figure 7

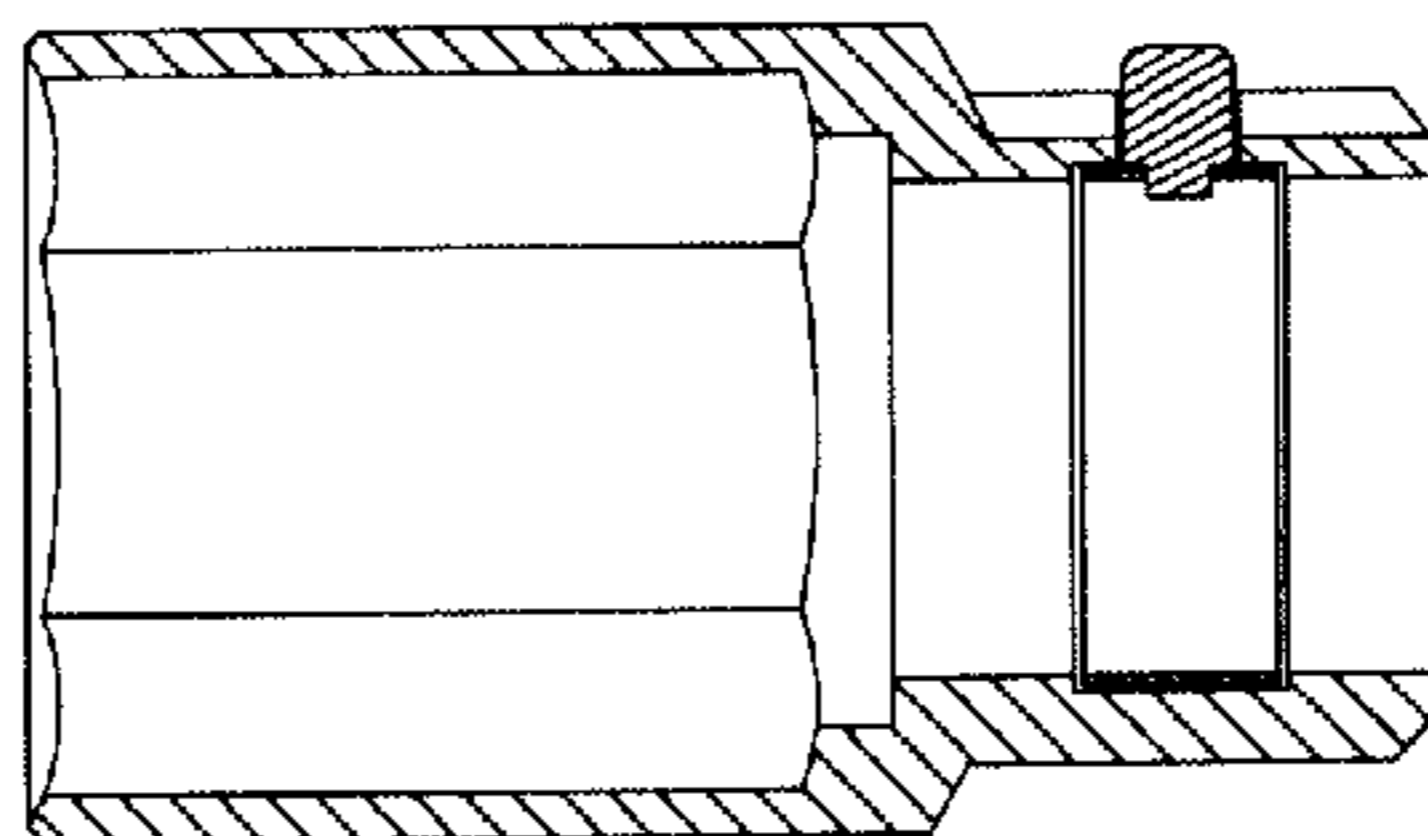


figure 8

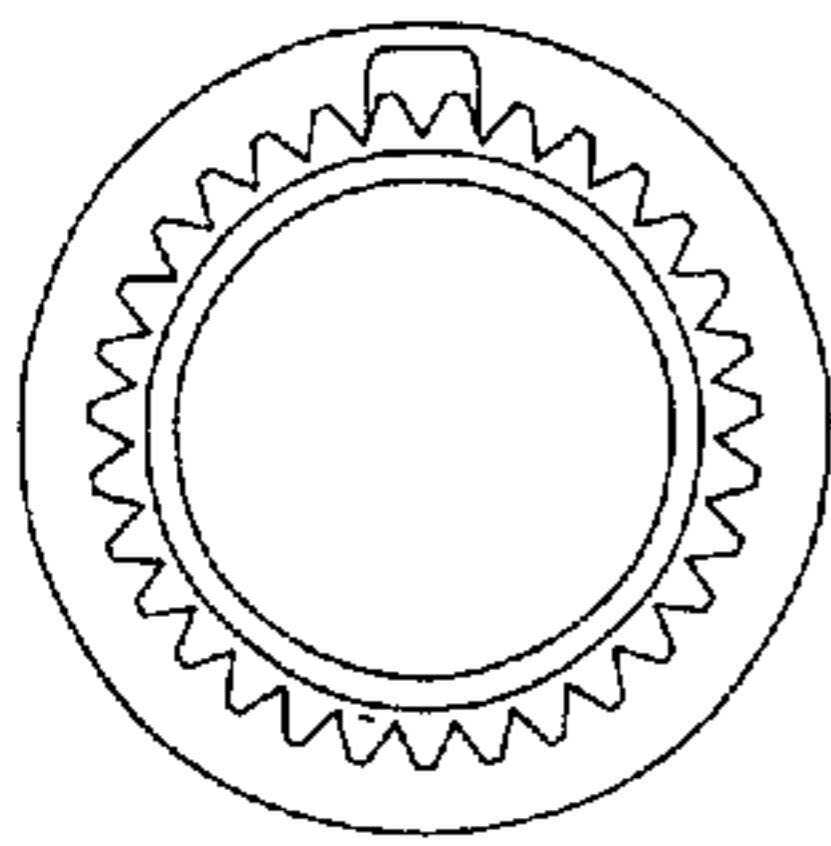
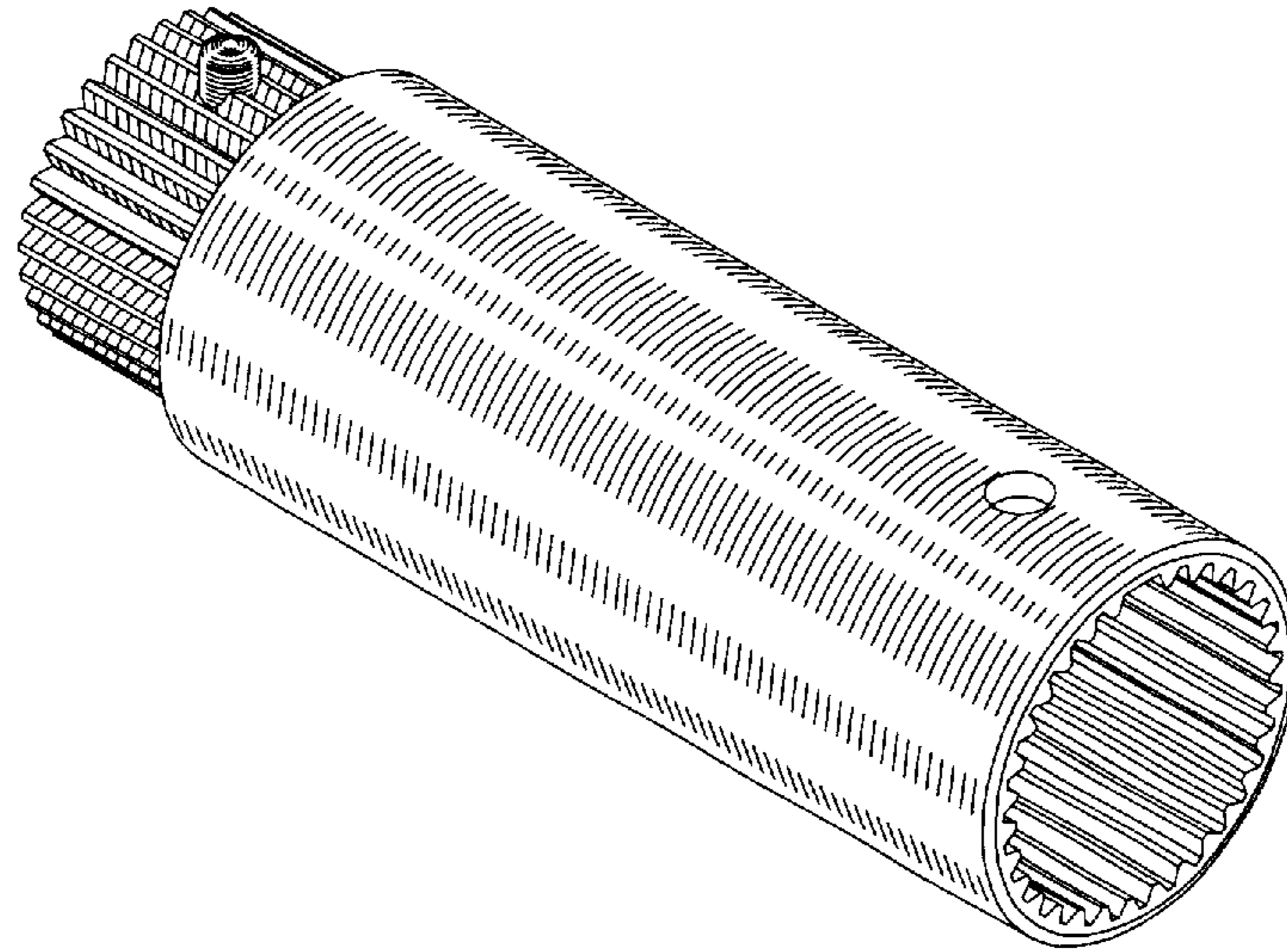


figure 9

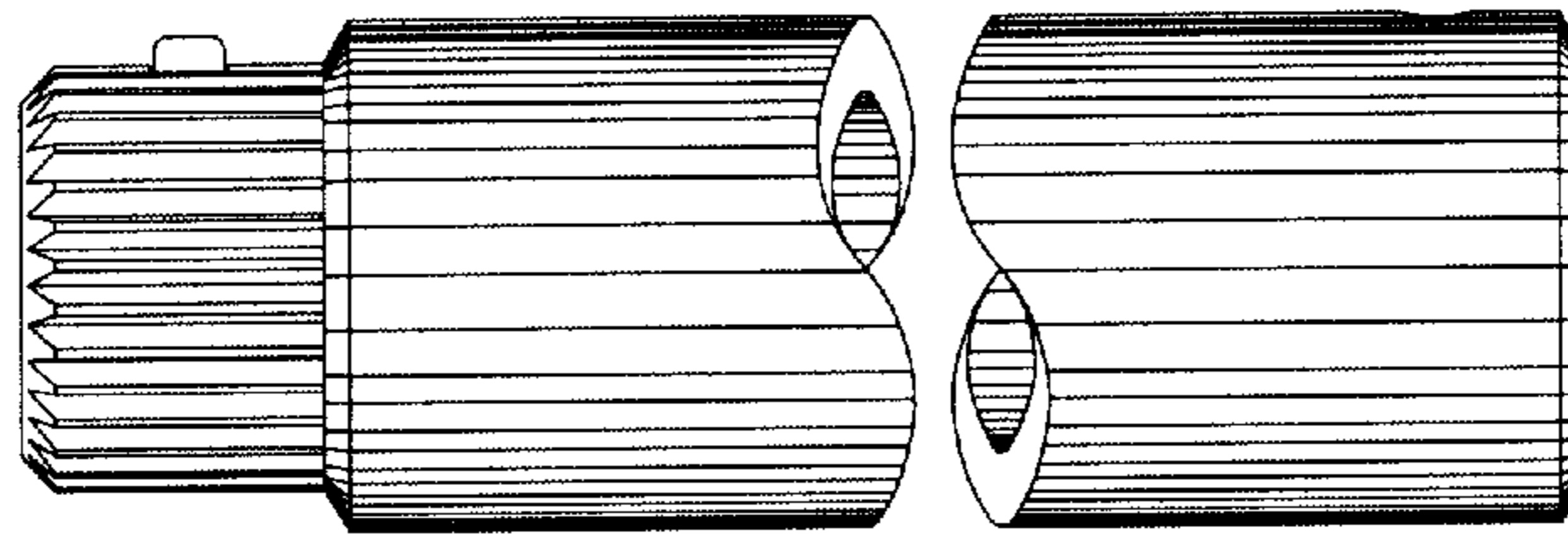


figure 11

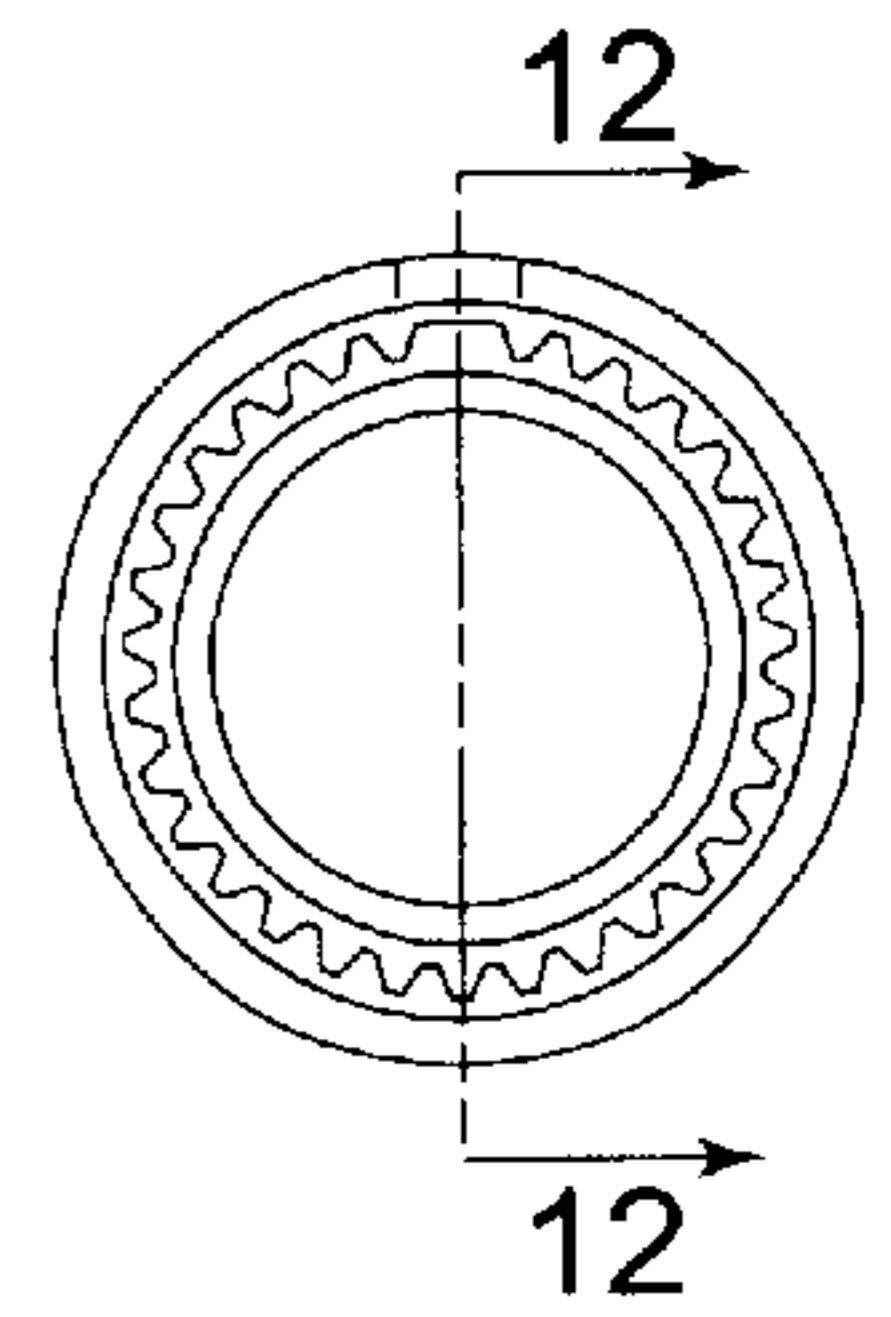


figure 10

figure 12

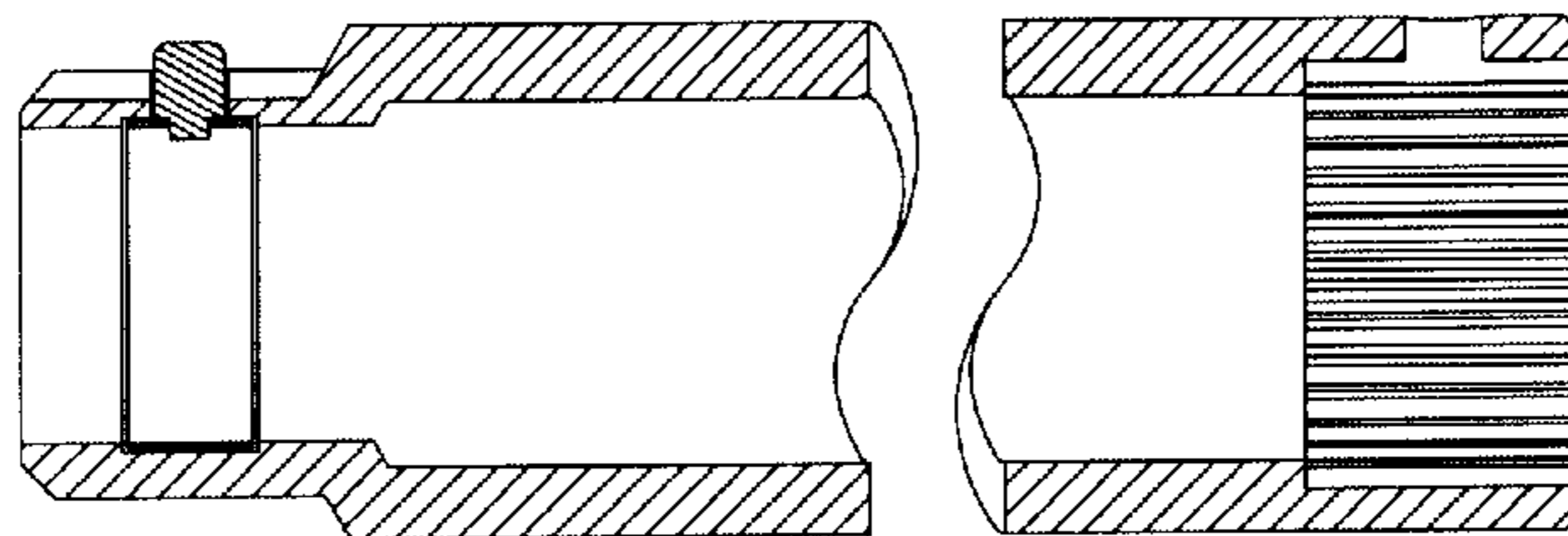


figure 13

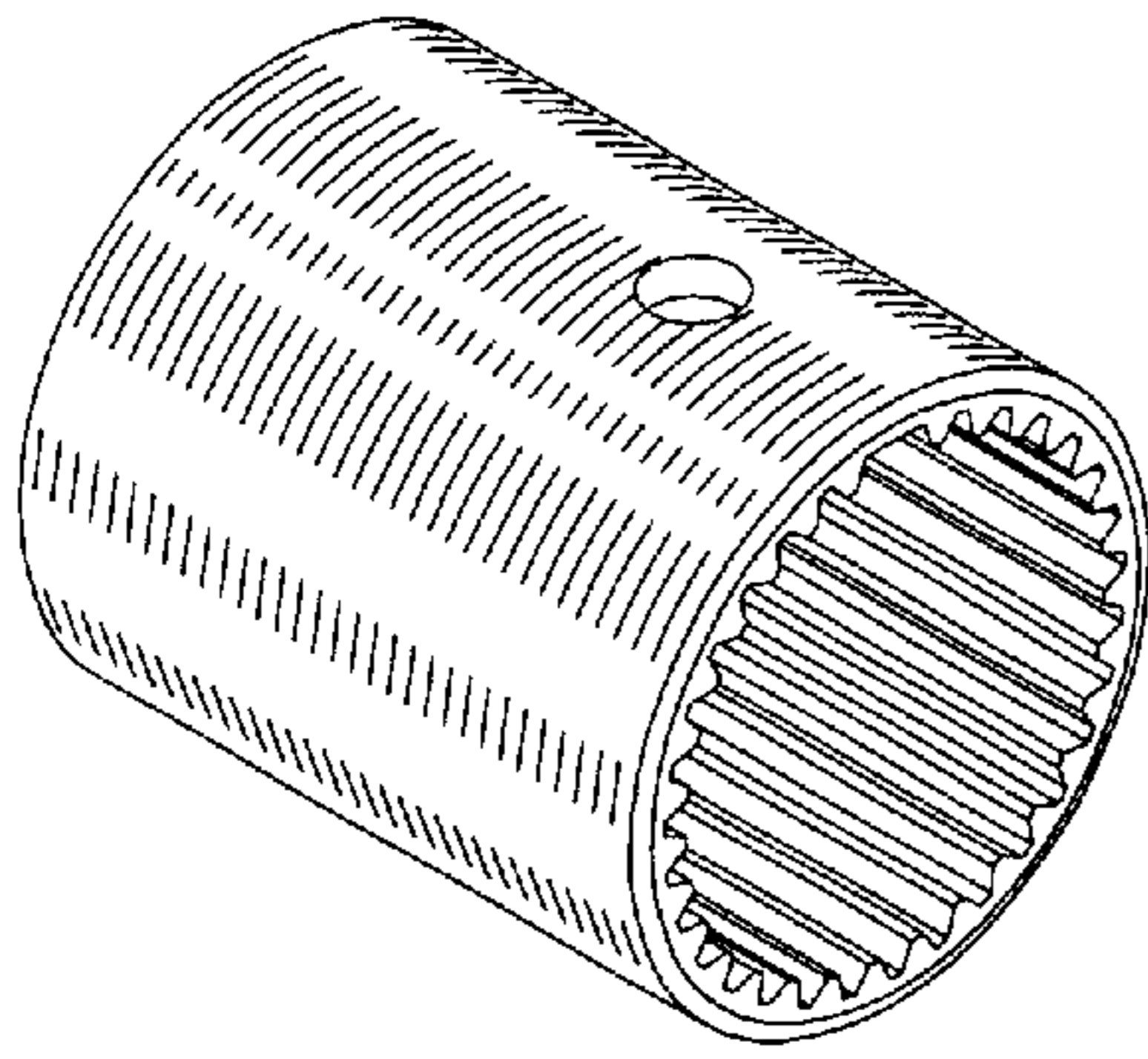


figure 14

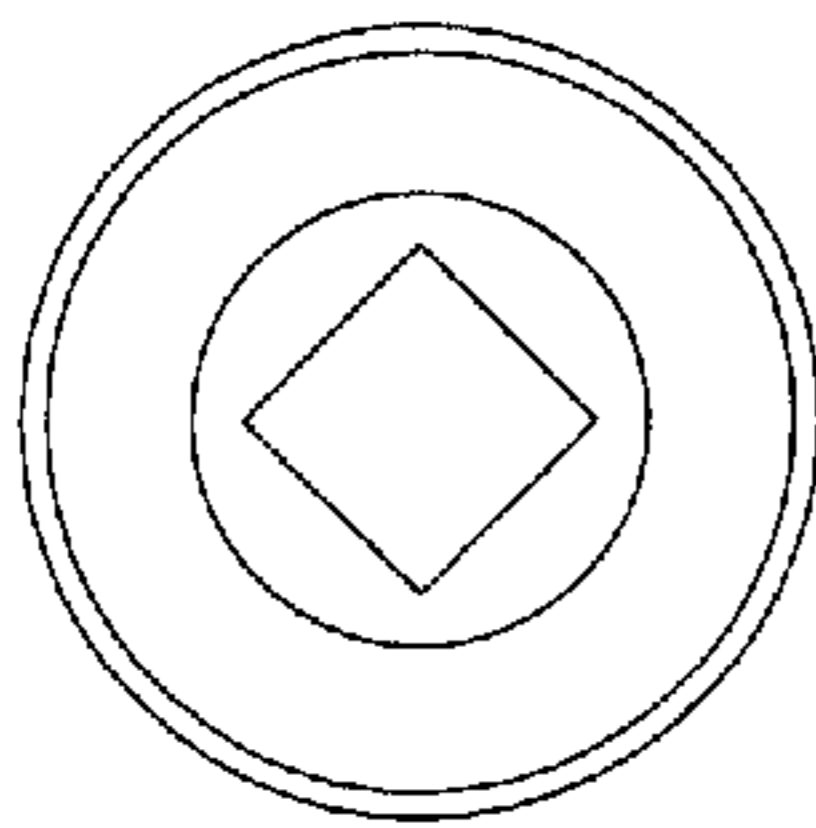
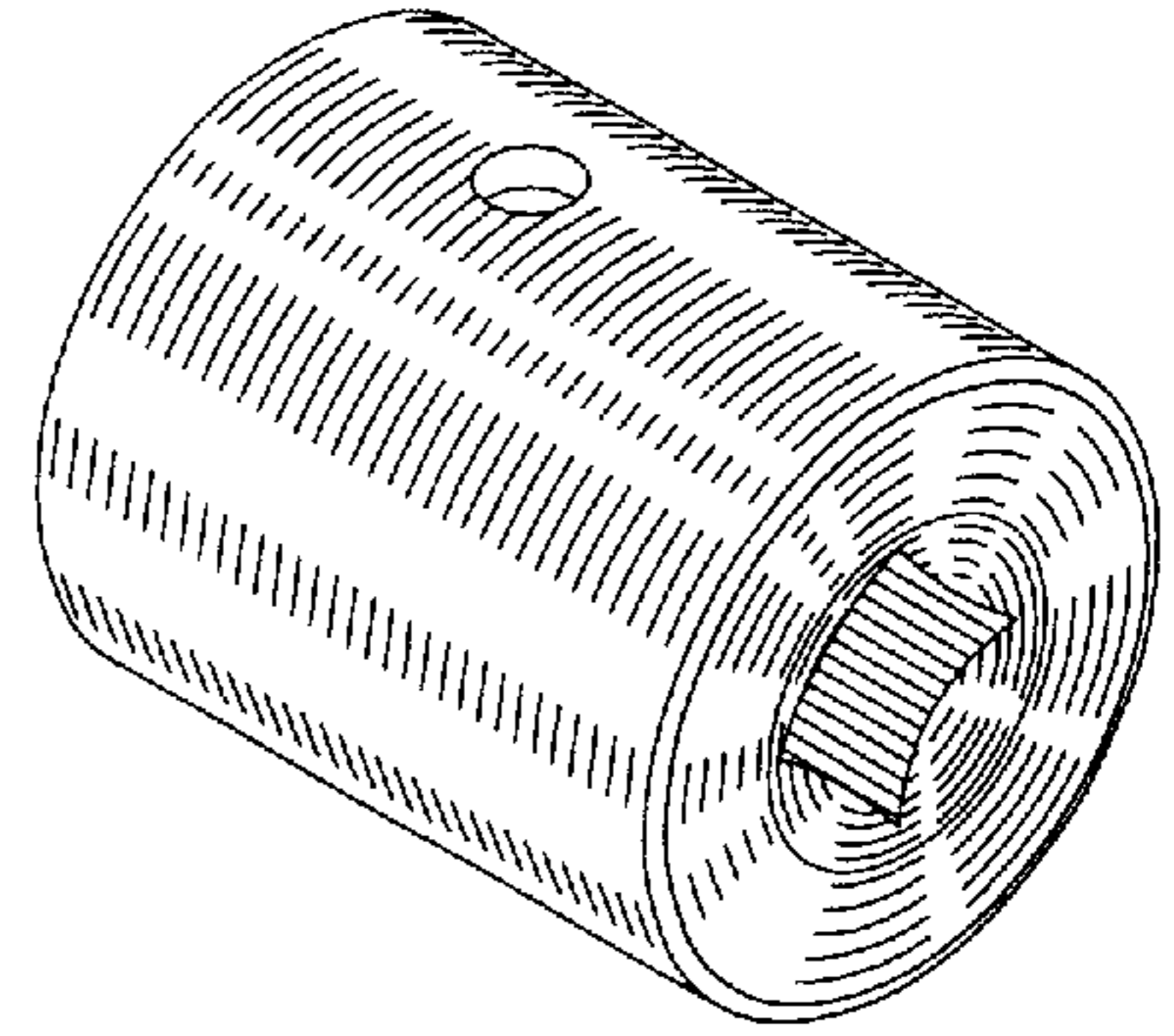


figure 15

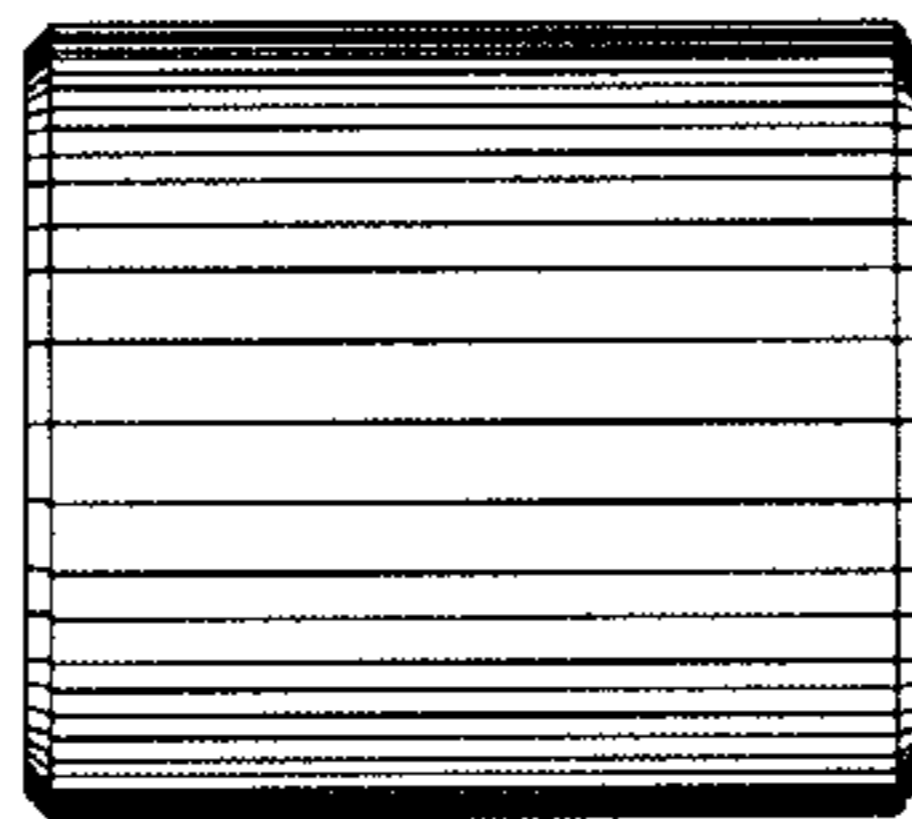


figure 17

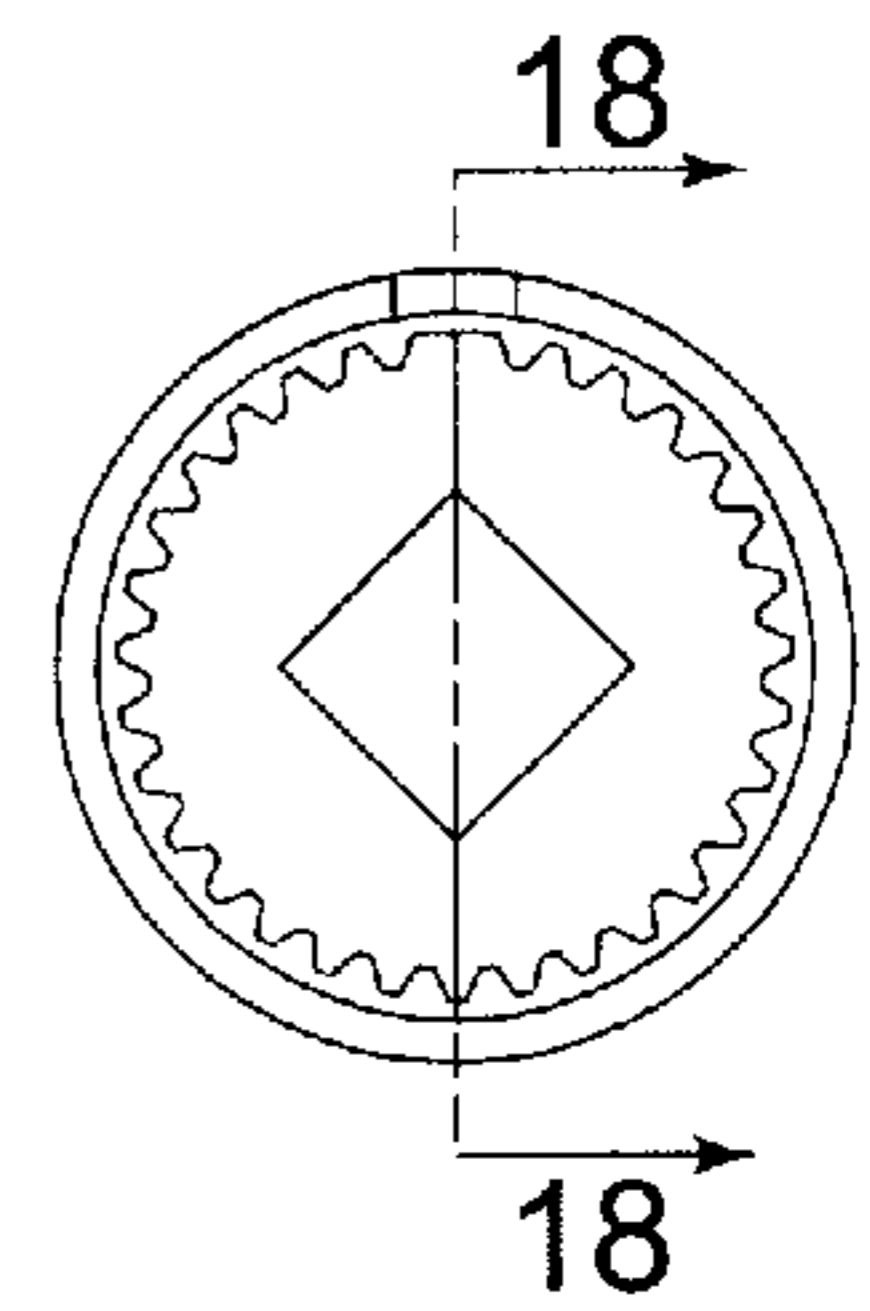


figure 16

figure 18

