



US00D459960S

(12) **United States Design Patent**  
**Wei**

(10) **Patent No.:** **US D459,960 S**

(45) **Date of Patent:** **\*\* Jul. 9, 2002**

(54) **PLUM BLOSSOM SHAPED RATCHET WRENCH**

6,134,990 A \* 10/2000 Ling ..... 81/60  
6,282,991 B1 \* 9/2001 Hu ..... 81/63

(76) **Inventor:** **Hung Yin Wei**, P.O. Box 2103,  
Taichung (TW)

\* cited by examiner

*Primary Examiner*—Raphael Barkai

(\*\*) **Term:** **14 Years**

(57) **CLAIM**

(21) **Appl. No.:** **29/135,292**

The ornamental design for plum blossom shaped ratchet wrench, as shown and as described.

(22) **Filed:** **Jan. 10, 2001**

**DESCRIPTION**

(51) **LOC (7) Cl.** ..... **08-05**

(52) **U.S. Cl.** ..... **D8/25**

(58) **Field of Search** ..... D8/17, 21-29;  
81/58, 60, 61, 62, 63, 124.3

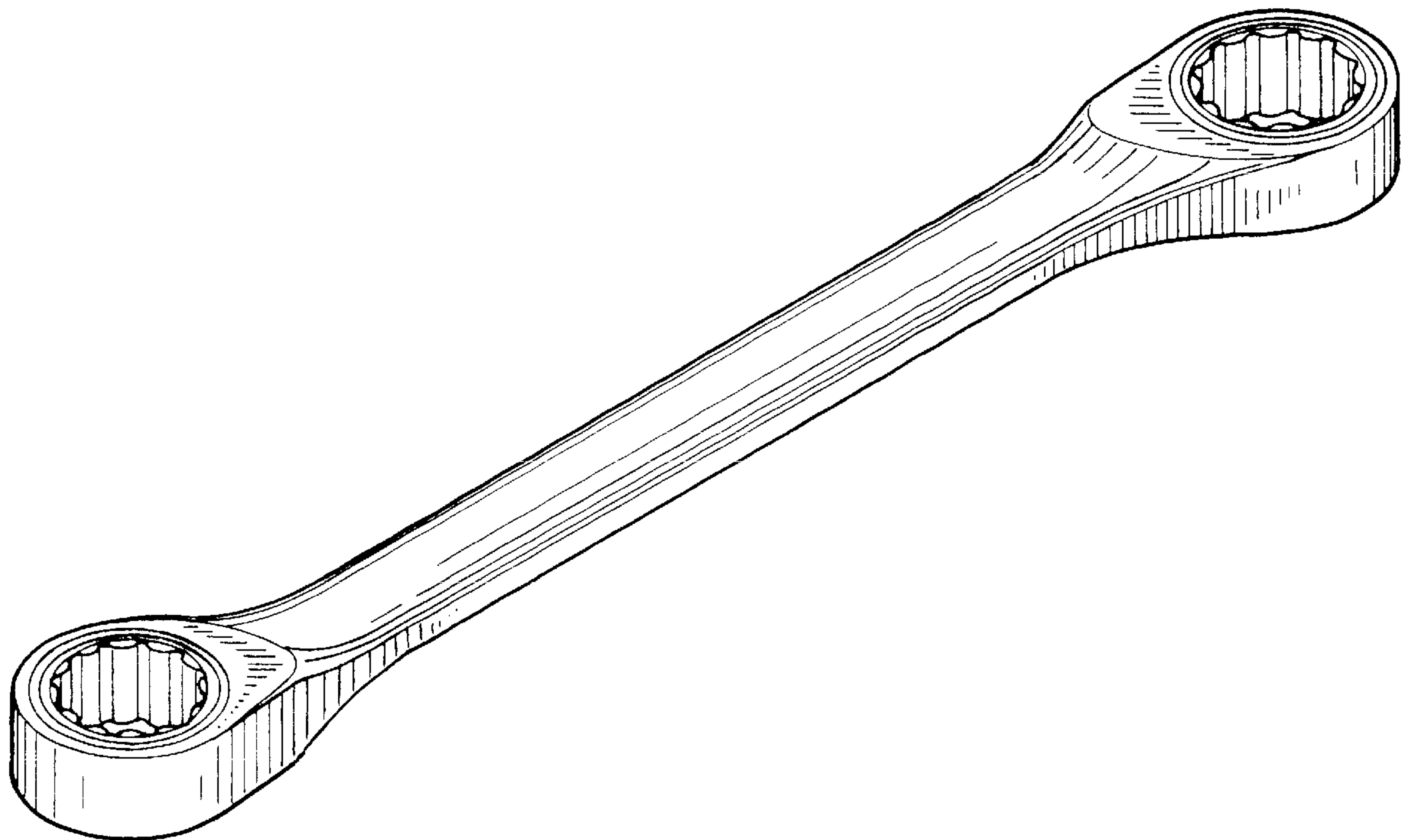
FIG. 1 is a perspective view of plum blossom shaped ratchet wrench showing my design;  
FIG. 2 is a front view therefore;  
FIG. 3 is a rear view thereof;  
FIG. 4 is a left side view thereof;  
FIG. 5 is a right side view thereof;  
FIG. 6 is a top view thereof; and,  
FIG. 7 is a bottom view thereof.

(56) **References Cited**

**U.S. PATENT DOCUMENTS**

5,857,390 A \* 1/1999 Whiteford ..... 81/62  
5,865,074 A \* 2/1999 Hsieh ..... 81/124.3  
5,979,274 A \* 11/1999 Hsieh ..... 81/60

**1 Claim, 3 Drawing Sheets**



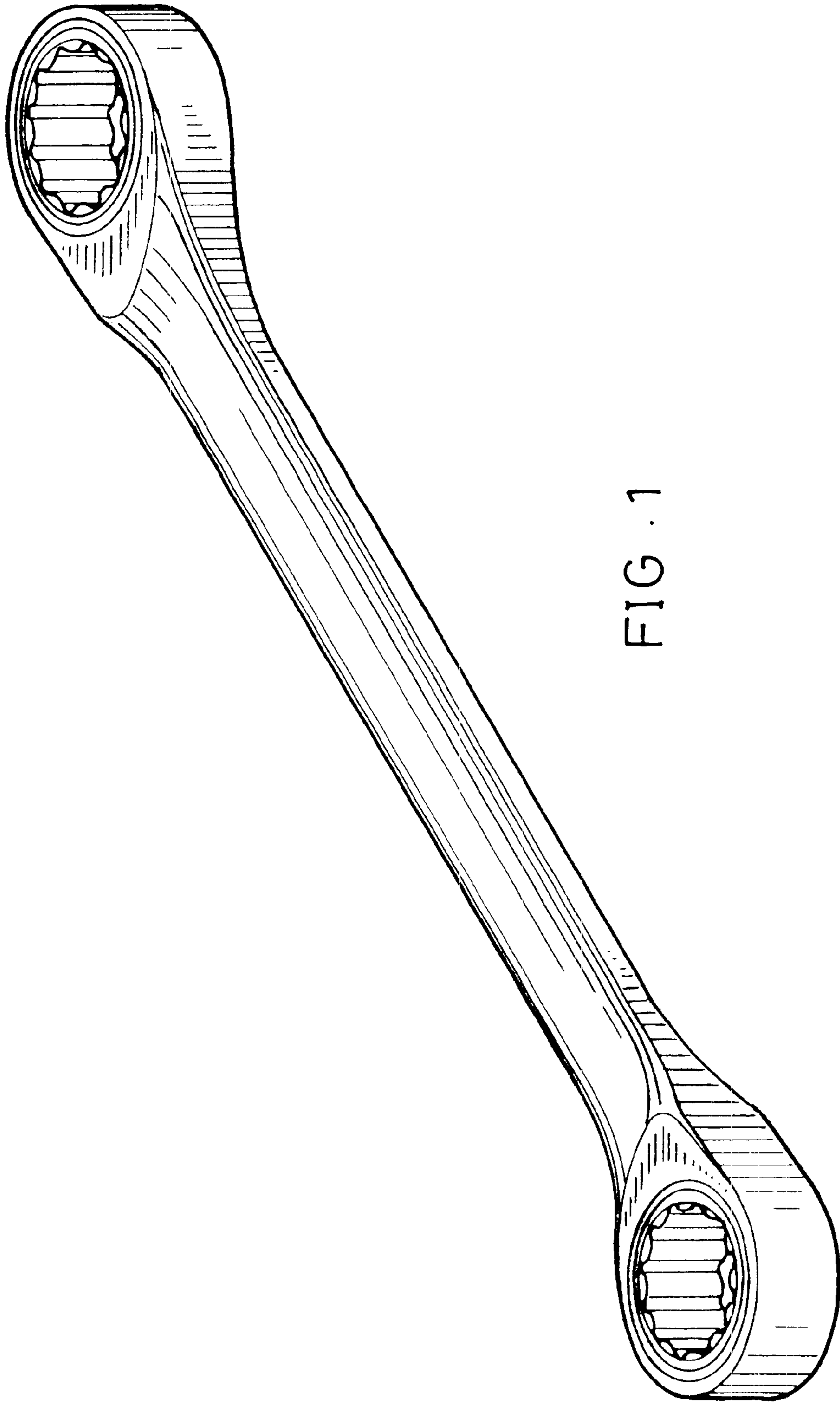


FIG . 1

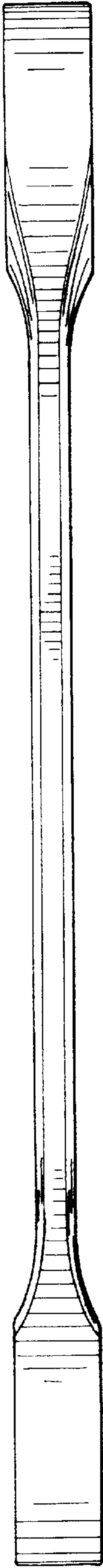


FIG. 2

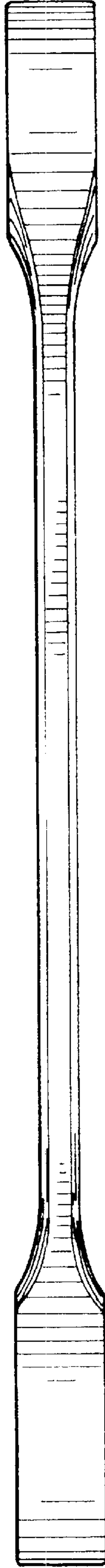


FIG. 3

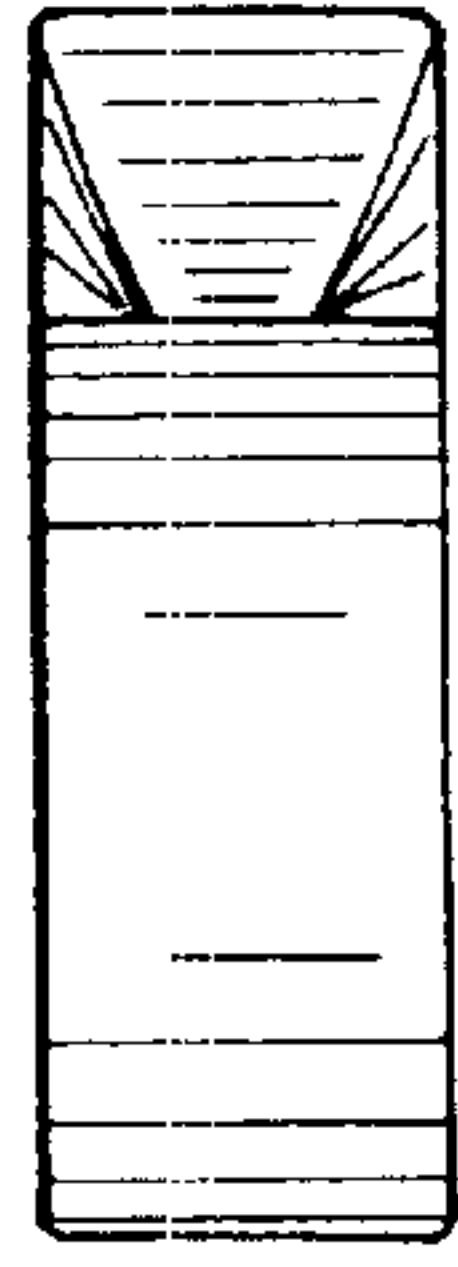


FIG. 5



FIG. 4

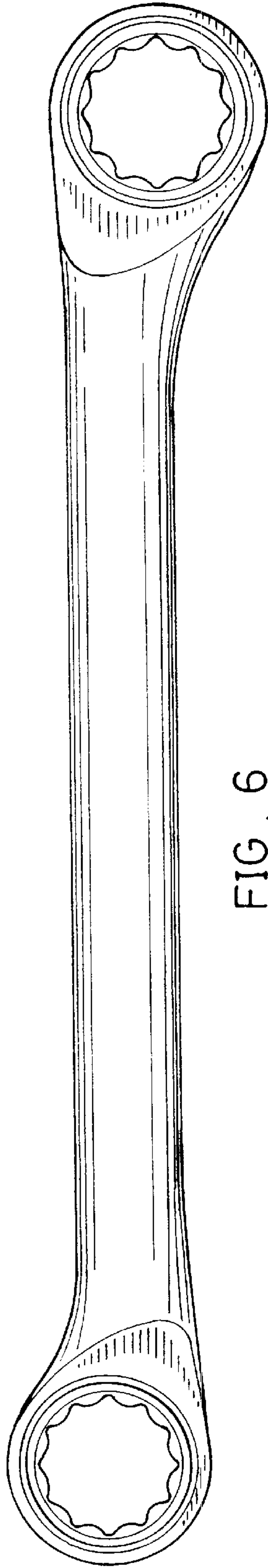


FIG. 6

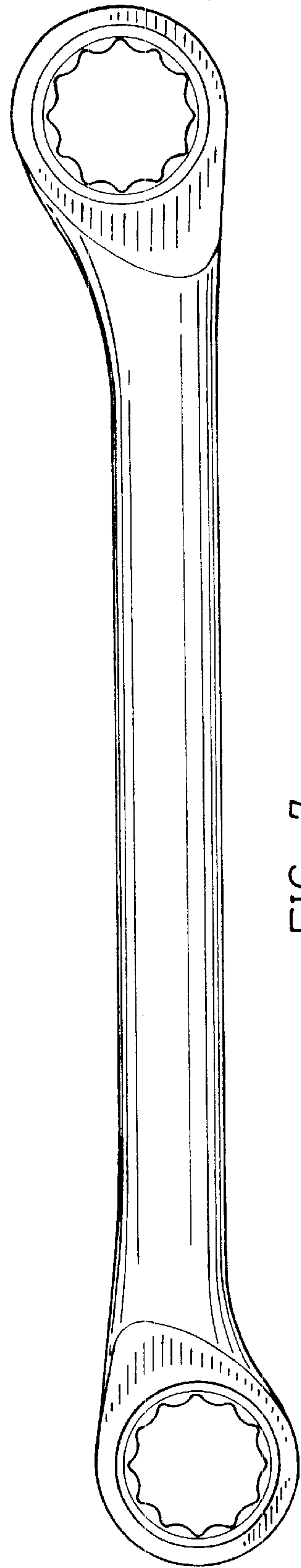


FIG. 7