



US00D459958S

(12) **United States Design Patent**  
**Smith**

(10) **Patent No.:** **US D459,958 S**

(45) **Date of Patent:** **\*\* Jul. 9, 2002**

(54) **SLIDE HAMMER**

D421,556 S \* 3/2000 Smith ..... D8/14

(76) **Inventor:** **Mark Smith**, P.O. Box 12,  
Soulsbyville, CA (US) 95372-0012

\* cited by examiner

(\*\*) **Term:** **14 Years**

*Primary Examiner*—Alan P. Douglas  
*Assistant Examiner*—Clare E. Heflin  
(74) *Attorney, Agent, or Firm*—Bernhard Kreten

(21) **Appl. No.:** **29/120,043**

(57) **CLAIM**

(22) **Filed:** **Mar. 13, 2000**

The ornamental design for a slide hammer, as shown and described.

(51) **LOC (7) Cl.** ..... **08-05**

(52) **U.S. Cl.** ..... **D8/14; D8/51**

(58) **Field of Search** ..... D8/14, 51; 156/94;  
254/30; 72/705, 389, 390

**DESCRIPTION**

(56) **References Cited**

**U.S. PATENT DOCUMENTS**

4,376,385	A	*	3/1983	Davis	.....	72/479
5,113,687	A	*	5/1992	Palmgren	.....	72/479
D337,929	S	*	8/1993	Campfield, Jr.	.....	D8/51
D398,495	S	*	9/1998	Thomas	.....	D8/51
D403,563	S	*	1/1999	Thomas et al.	.....	D8/51

FIG. 1 is a perspective view of a slide hammer showing my new design.

FIG. 2 is a front view thereof, the rear being a mirror image.

FIG. 3 is a top view thereof.

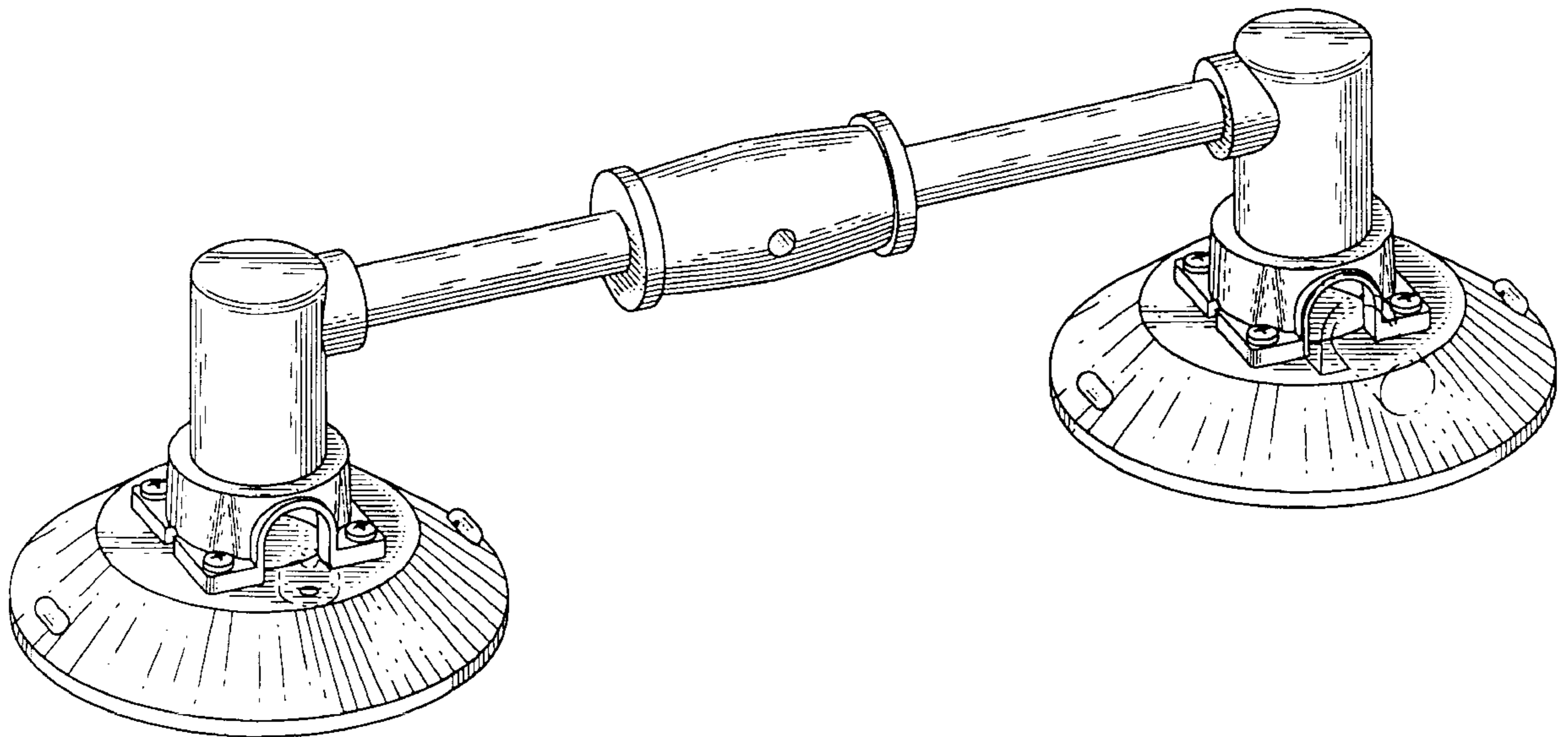
FIG. 4 is a side view thereof.

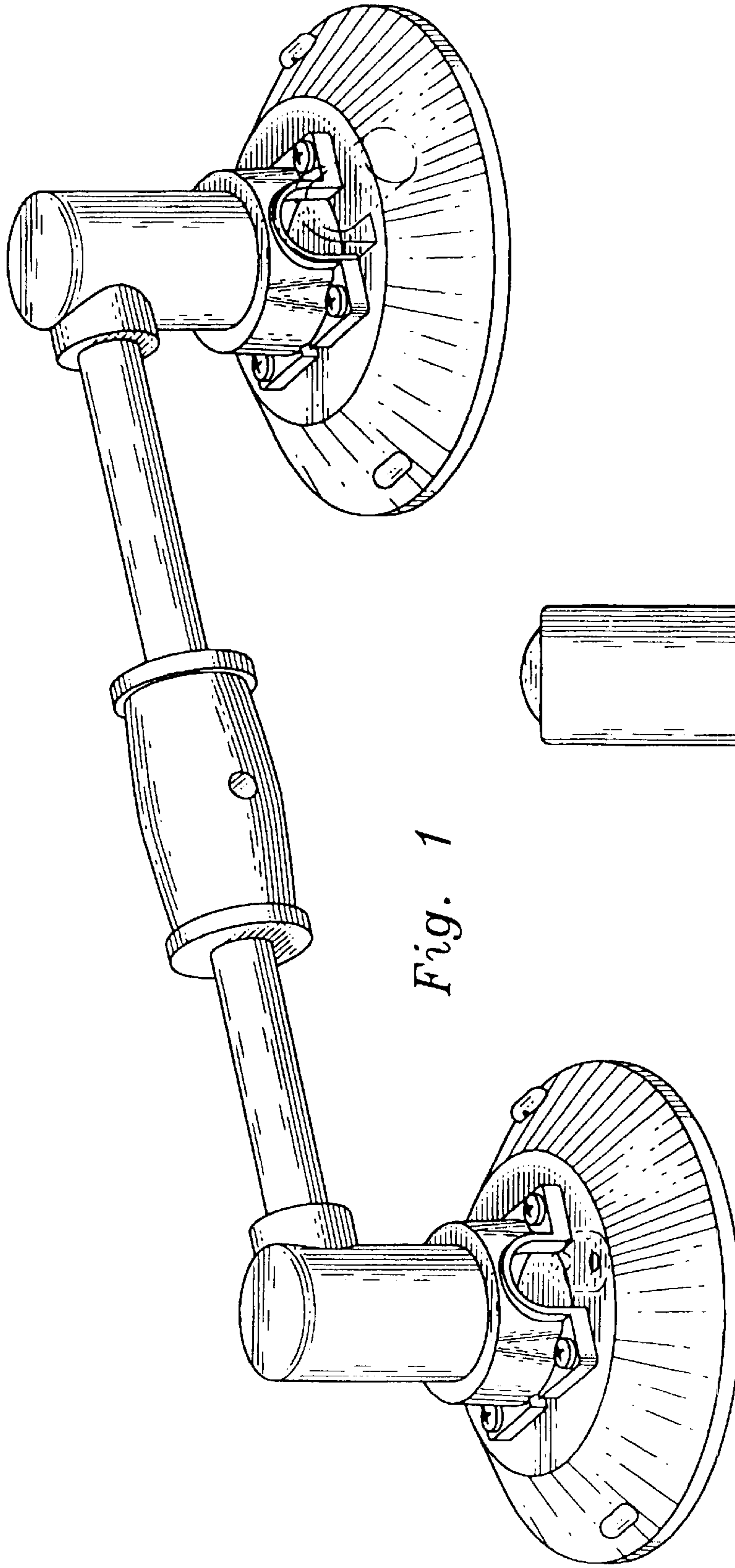
FIG. 5 is a opposite side view thereof; and,

FIG. 6 is a bottom view thereof.

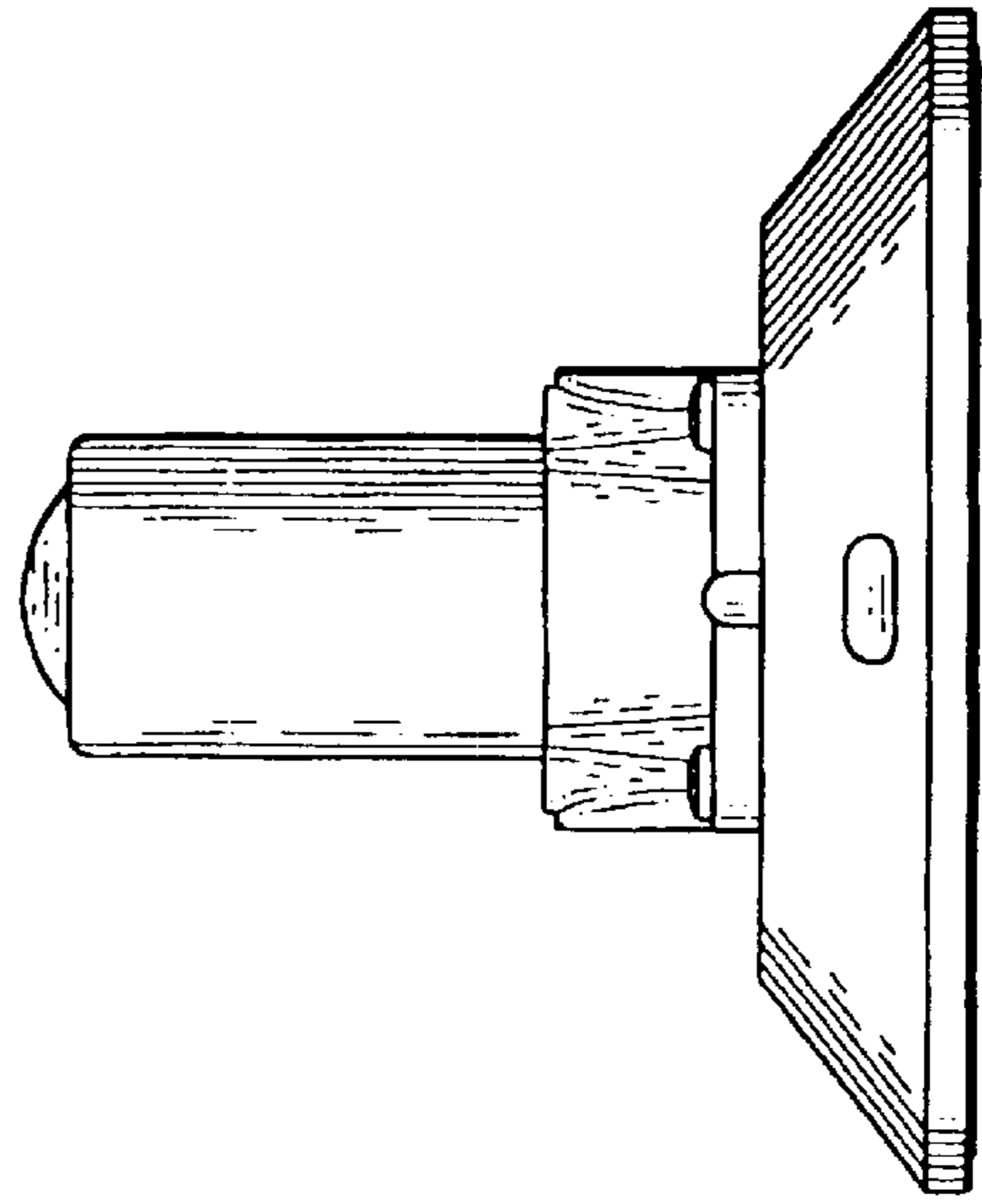
The broken lines shown in FIG. 1 are for illustrative purposes only and form no part of the claimed design.

**1 Claim, 3 Drawing Sheets**





*Fig. 1*



*Fig. 2*

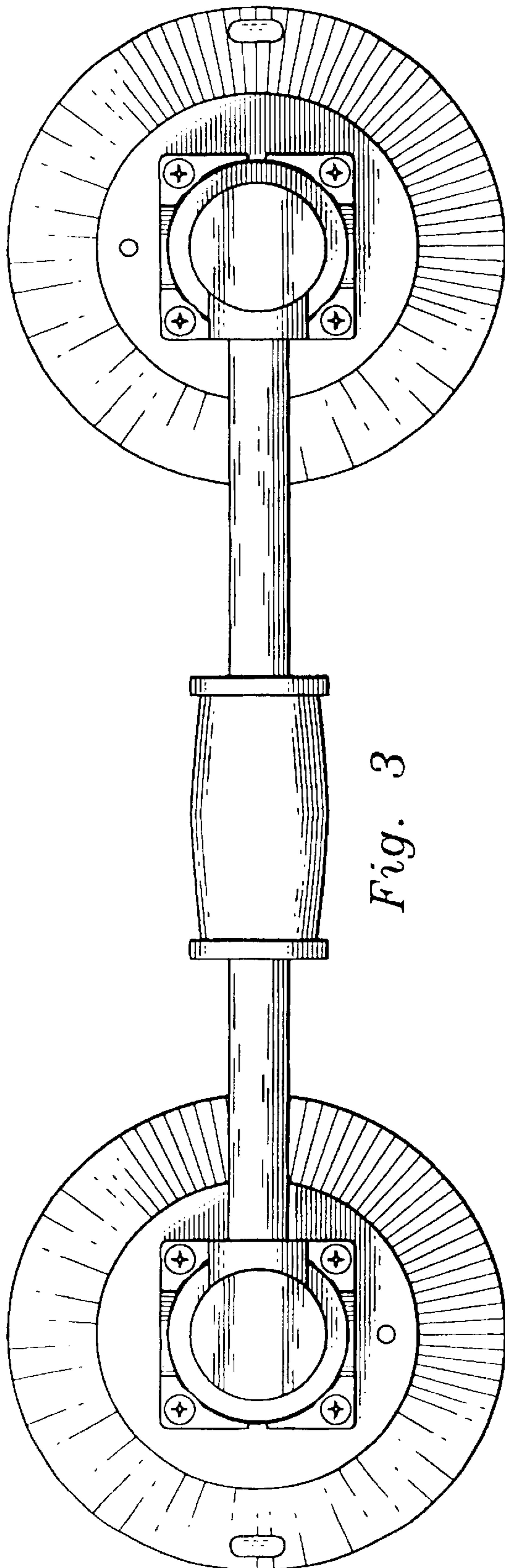


Fig. 3

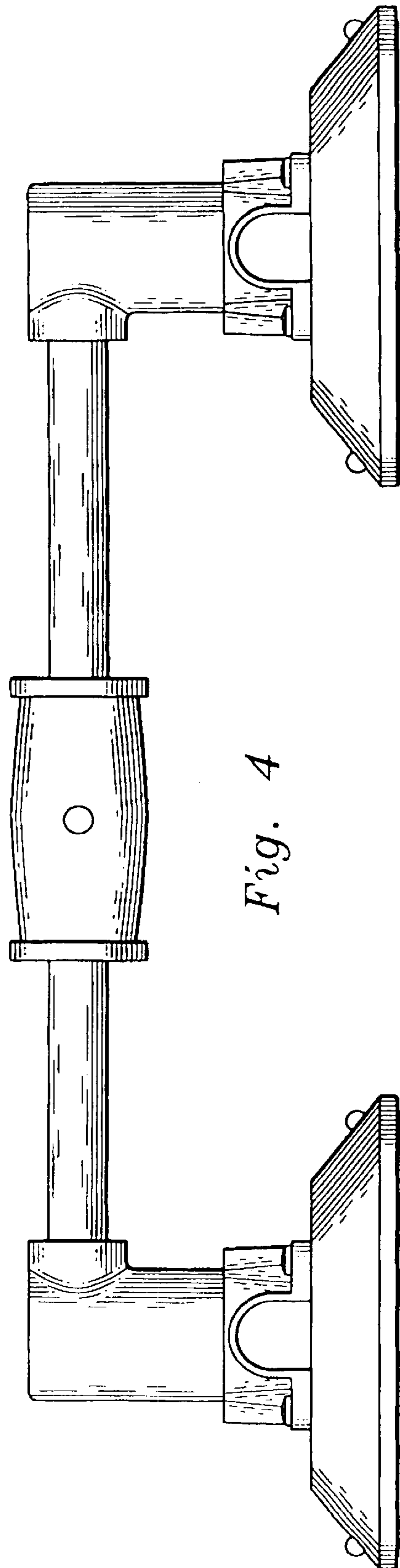
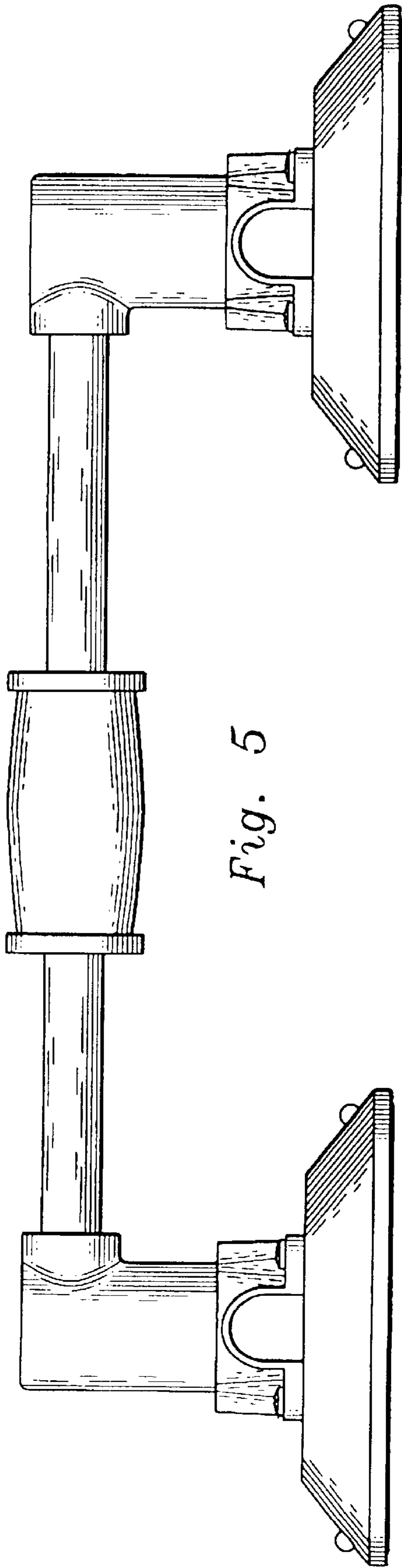
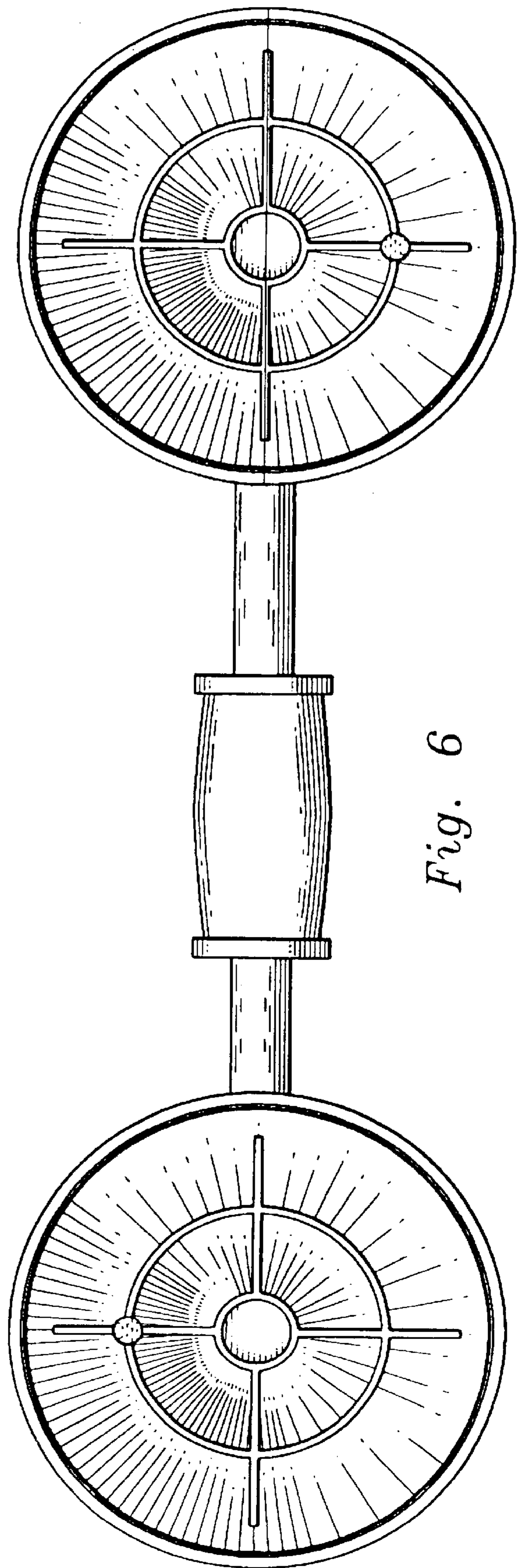


Fig. 4



*Fig. 5*



*Fig. 6*