



US00D459956S

(12) **United States Design Patent**
Thomas

(10) **Patent No.:** **US D459,956 S**

(45) **Date of Patent:** **** Jul. 9, 2002**

(54) **CUP-HOLDER INSERT WITH THREE
RECEPTACLE COMBO CARRIER**

(75) Inventor: **Michael G. Thomas**, Toronto (CA)

(73) Assignee: **Georgia-Pacific Corporation**, Atlanta,
GA (US)

(**) Term: **14 Years**

(21) Appl. No.: **29/142,703**

(22) Filed: **May 31, 2001**

(51) **LOC (7) Cl.** **07-06**

(52) **U.S. Cl.** **D7/701**

(58) **Field of Search** D7/701, 707, 708,
D7/619; D9/341, 347; D12/415, 419-421;
211/71.01, 74; 224/483, 275, 544, 926;
248/311.2

(56) **References Cited**

U.S. PATENT DOCUMENTS

5,072,909 A	12/1991	Huang	248/311.2
5,915,561 A *	6/1999	Lorenzana et al.	D7/701 X
6,099,062 A	8/2000	Siegel	296/37.12
6,189,755 B1 *	2/2001	Wakefield	224/544

* cited by examiner

Primary Examiner—Terry A. Wallace

(74) *Attorney, Agent, or Firm*—Michael W. Ferrell

(57) **CLAIM**

The ornamental design for a cup-holder insert with three receptacle combo carrier, as shown and described.

DESCRIPTION

A portion of the disclosure of this patent document contains material to which a claim for copyright is made. The copyright owner has no objection to the facsimile reproduction by anyone of the patent document or the patent disclosure as it appears in the Patent and Trademark Office patent file or records, but reserves all other copyrights whatsoever.

FIG. 1 is a view in perspective of the inventive cup-holder insert with condiment, snack and sandwich carrier;

FIG. 2 is a view in elevation along a longer side of the cup-holder insert of FIG. 1;

FIG. 3 is a view in elevation of the cup-holder insert of FIG. 1 along the side opposite the side shown in FIG. 2;

FIG. 4 is a view in elevation of the cup-holder insert of FIG. 1 along a side of the cup-holder adjacent the side shown in FIG. 2;

FIG. 5 is a view in elevation of the cup-holder insert of FIG. 1 along the side opposite the side shown in FIG. 4;

FIG. 6 is a top plan view of the cup-holder insert of FIG. 1; and,

FIG. 7 is a bottom plan view of the cup-holder insert of FIG. 1.

1 Claim, 7 Drawing Sheets

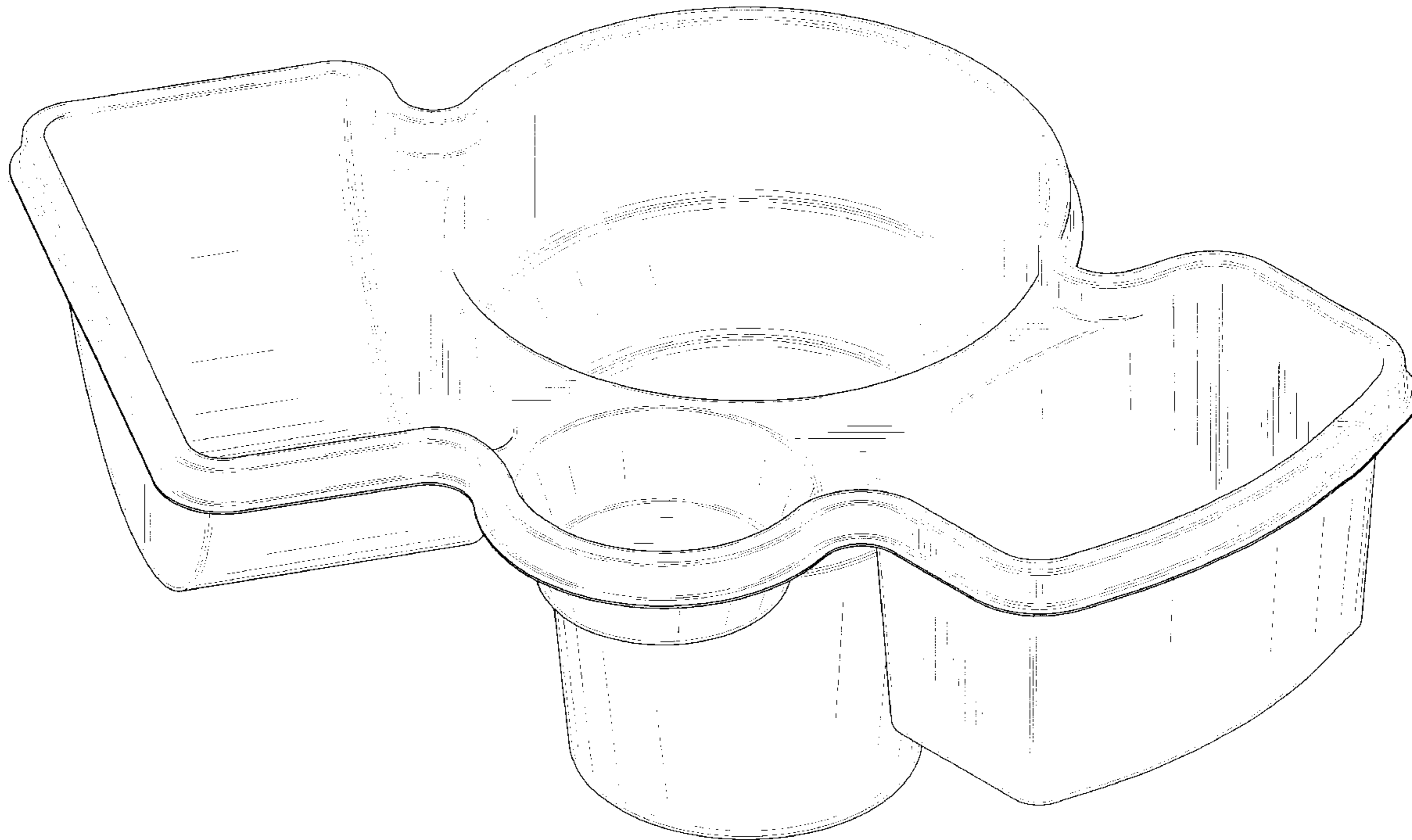


FIG. 1

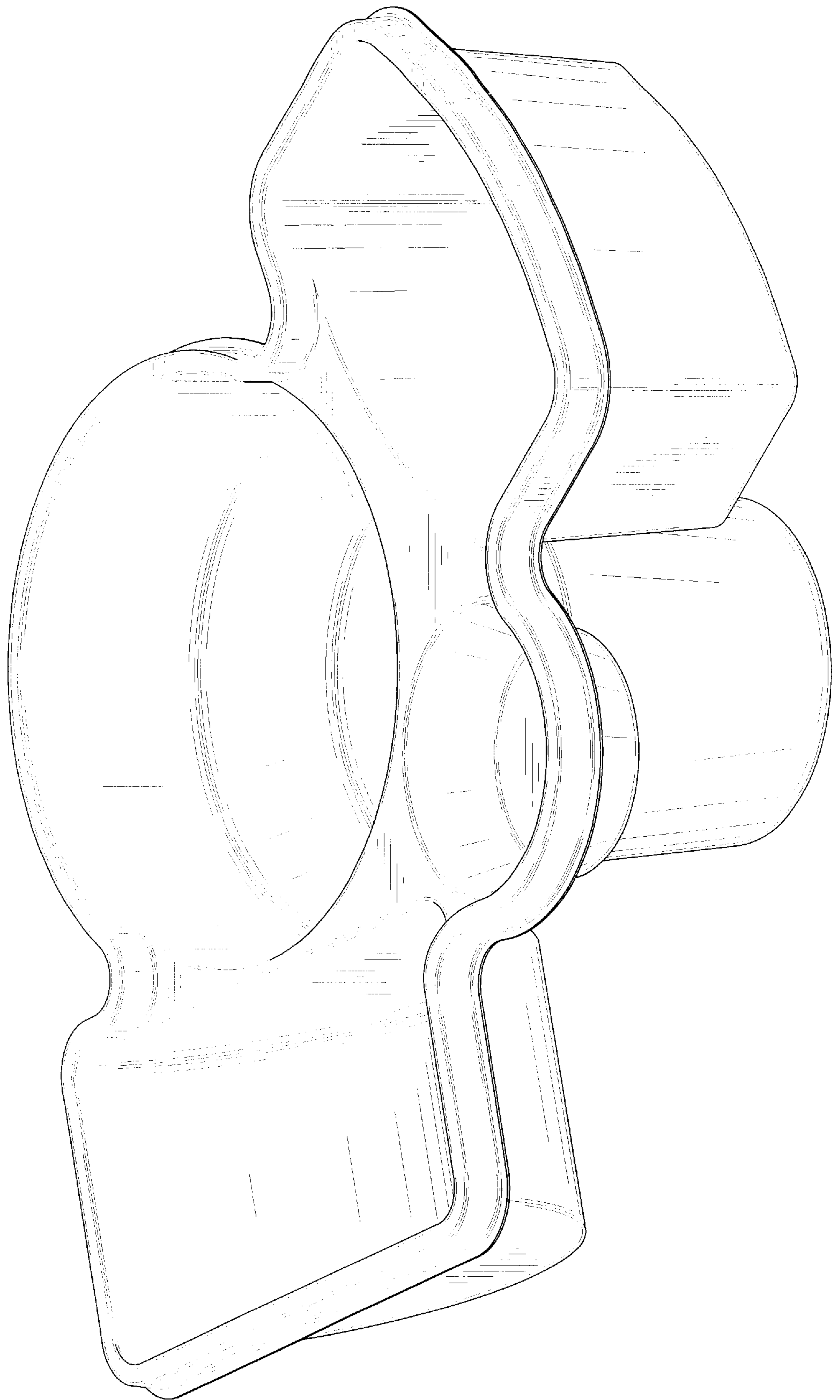


FIG. 2

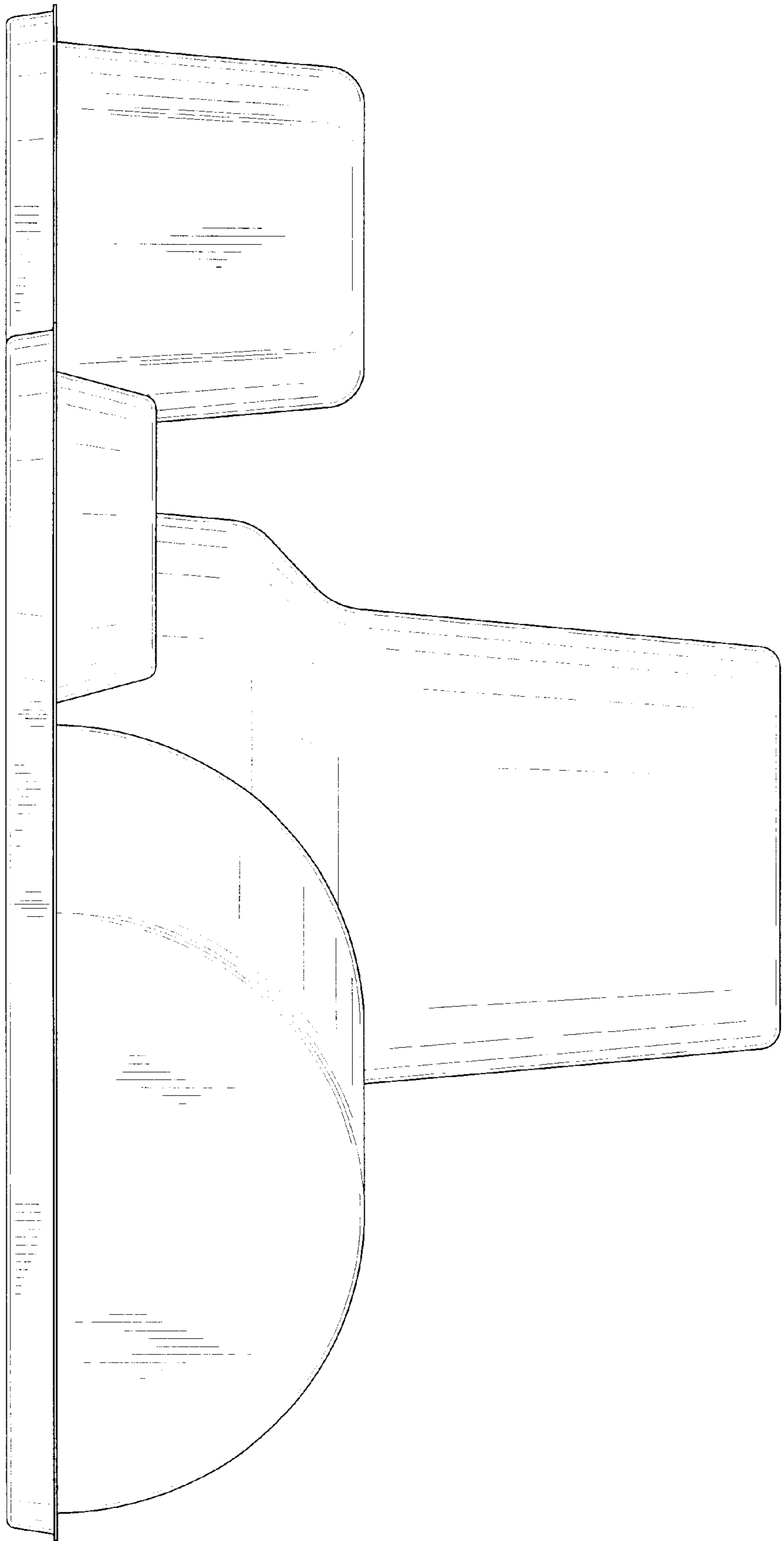


FIG. 3

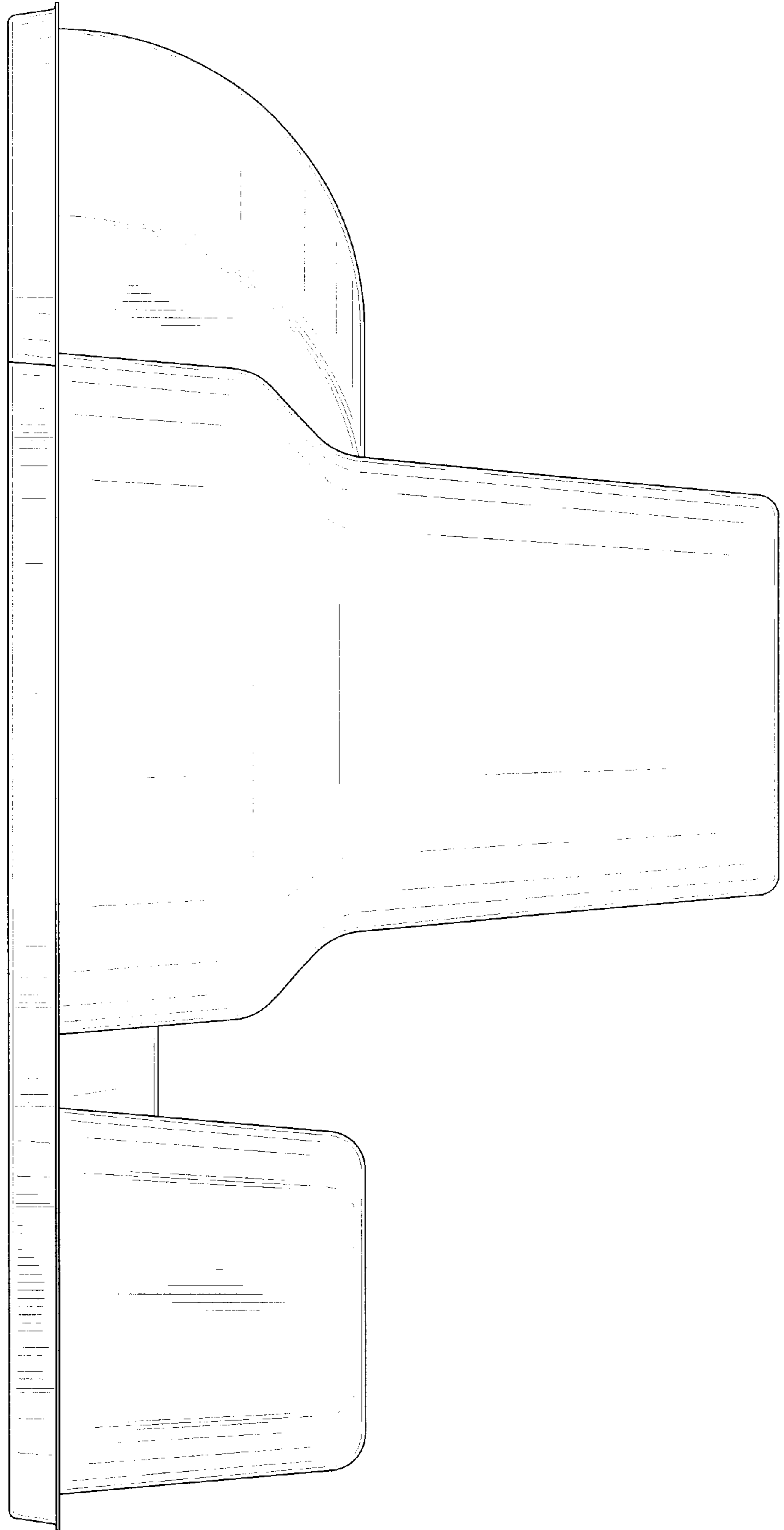


FIG. 4

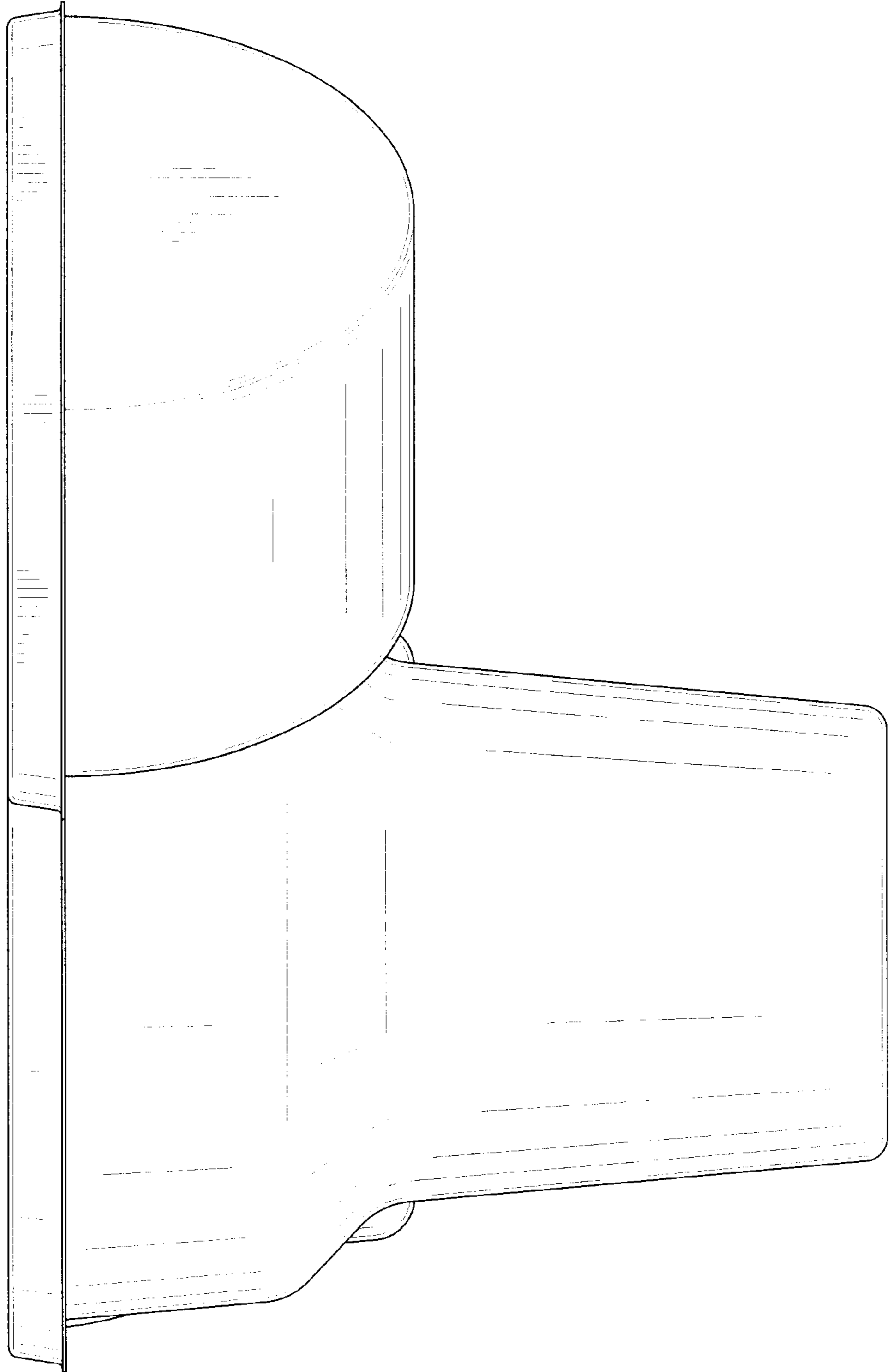
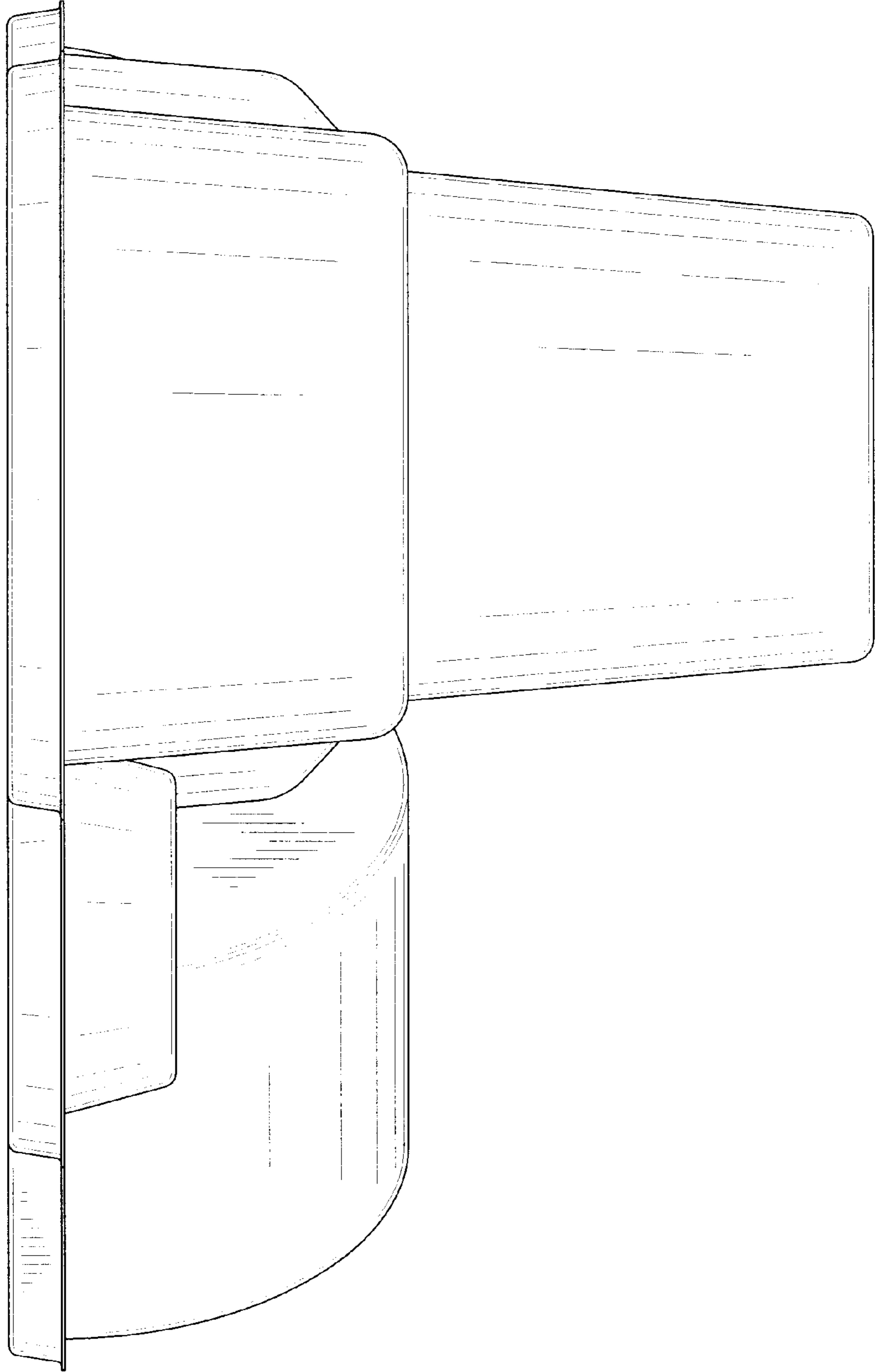


FIG. 5



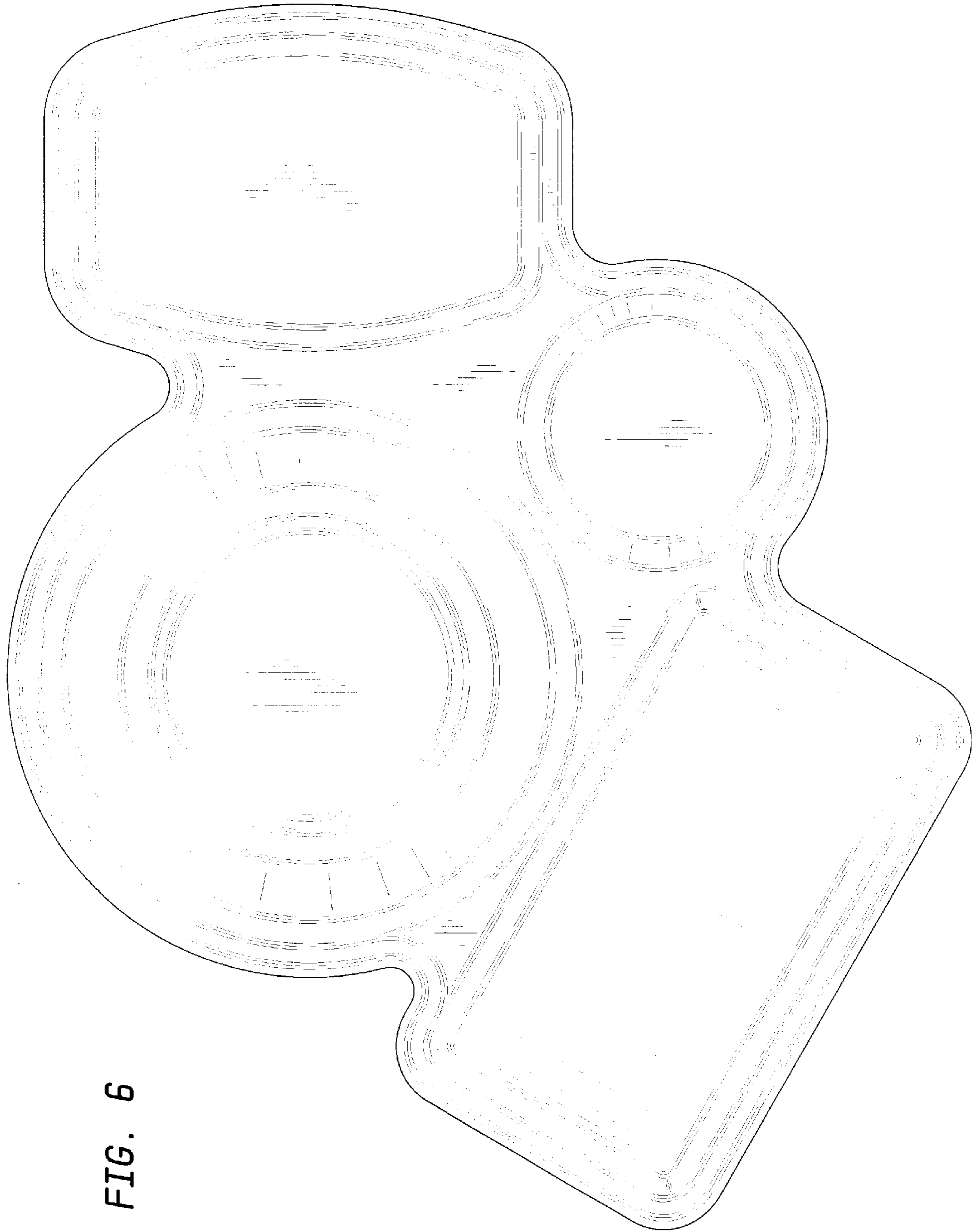


FIG. 6

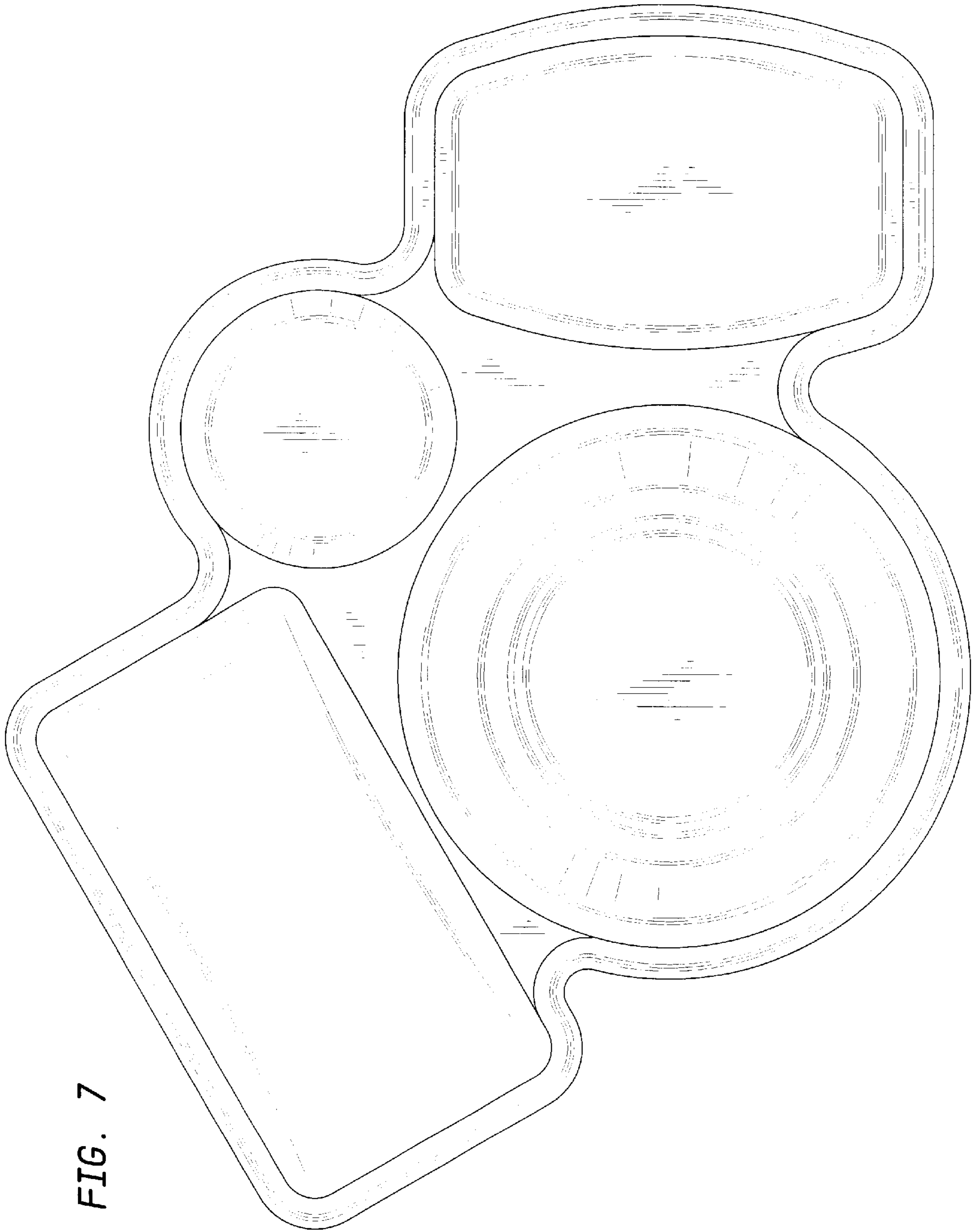


FIG. 7