



US00D459951S

(12) **United States Design Patent**
Hollinger

(10) **Patent No.:** **US D459,951 S**

(45) **Date of Patent:** **** Jul. 9, 2002**

(54) **NAPKIN HOLDER**

D405,323 S * 2/1999 Goodman et al. D7/631
D416,449 S * 11/1999 Goodman et al. D7/631

(75) Inventor: **Fred Hollinger**, Kings Park, NY (US)

* cited by examiner

(73) Assignee: **E+B Giftware LLC**

Primary Examiner—Terry A. Wallace

(**) Term: **14 Years**

(74) *Attorney, Agent, or Firm*—Gerard F. Dunne

(21) Appl. No.: **29/140,708**

(57) **CLAIM**

(22) Filed: **Apr. 23, 2001**

I claim the ornamental design for a napkin holder, as shown and described.

(51) **LOC (7) Cl.** **07-06**

DESCRIPTION

(52) **U.S. Cl.** **D7/631**

(58) **Field of Search** D7/631, 632; D6/462,
D6/566, 567; D19/65, 75, 78, 86, 90, 91;
211/41.1, 41.2, 49.1, 45, 50, 181.1

FIG. 1 is a perspective view of an ornamental design used for a napkin holder;
FIG. 2 is a front elevational view thereof;
FIG. 3 is a left side elevational view thereof;
FIG. 4 is a right side elevational view thereof;
FIG. 5 is a top plan view thereof; and,
FIG. 6 is a bottom plan view thereof.

(56) **References Cited**

U.S. PATENT DOCUMENTS

D372,937 S * 8/1996 Anders D19/65
D395,798 S * 7/1998 Goodman D7/631

1 Claim, 5 Drawing Sheets

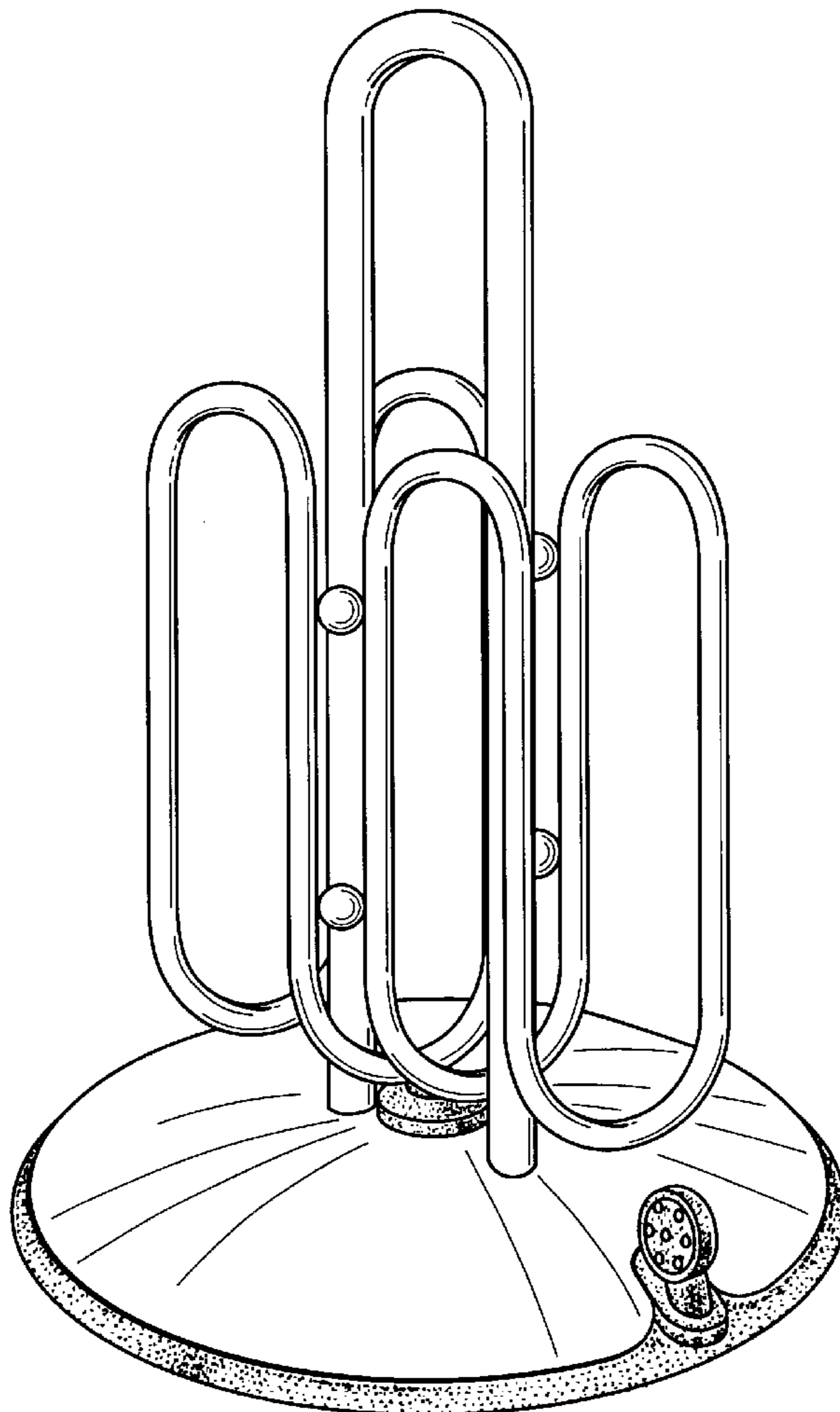


FIG. 1

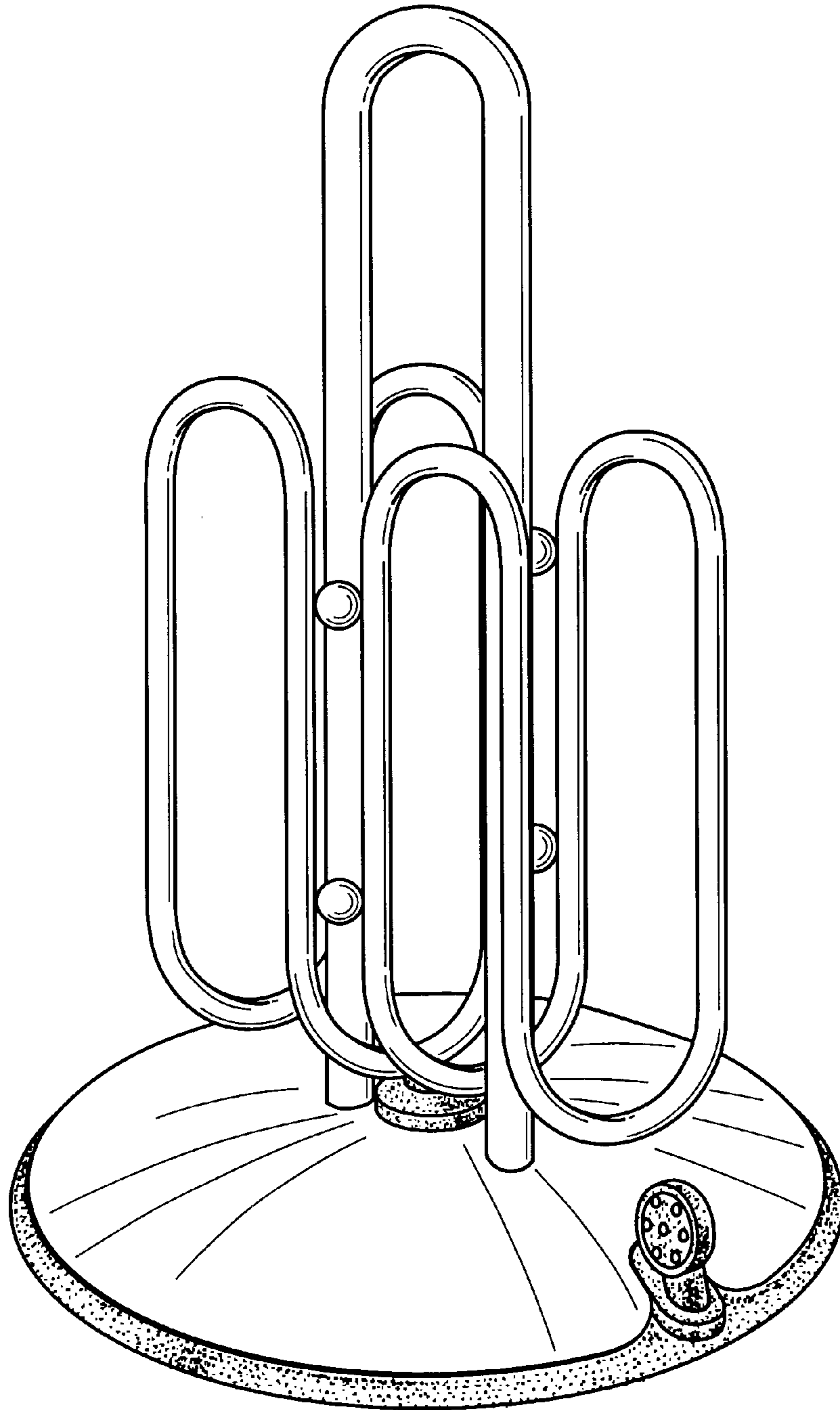


FIG. 2

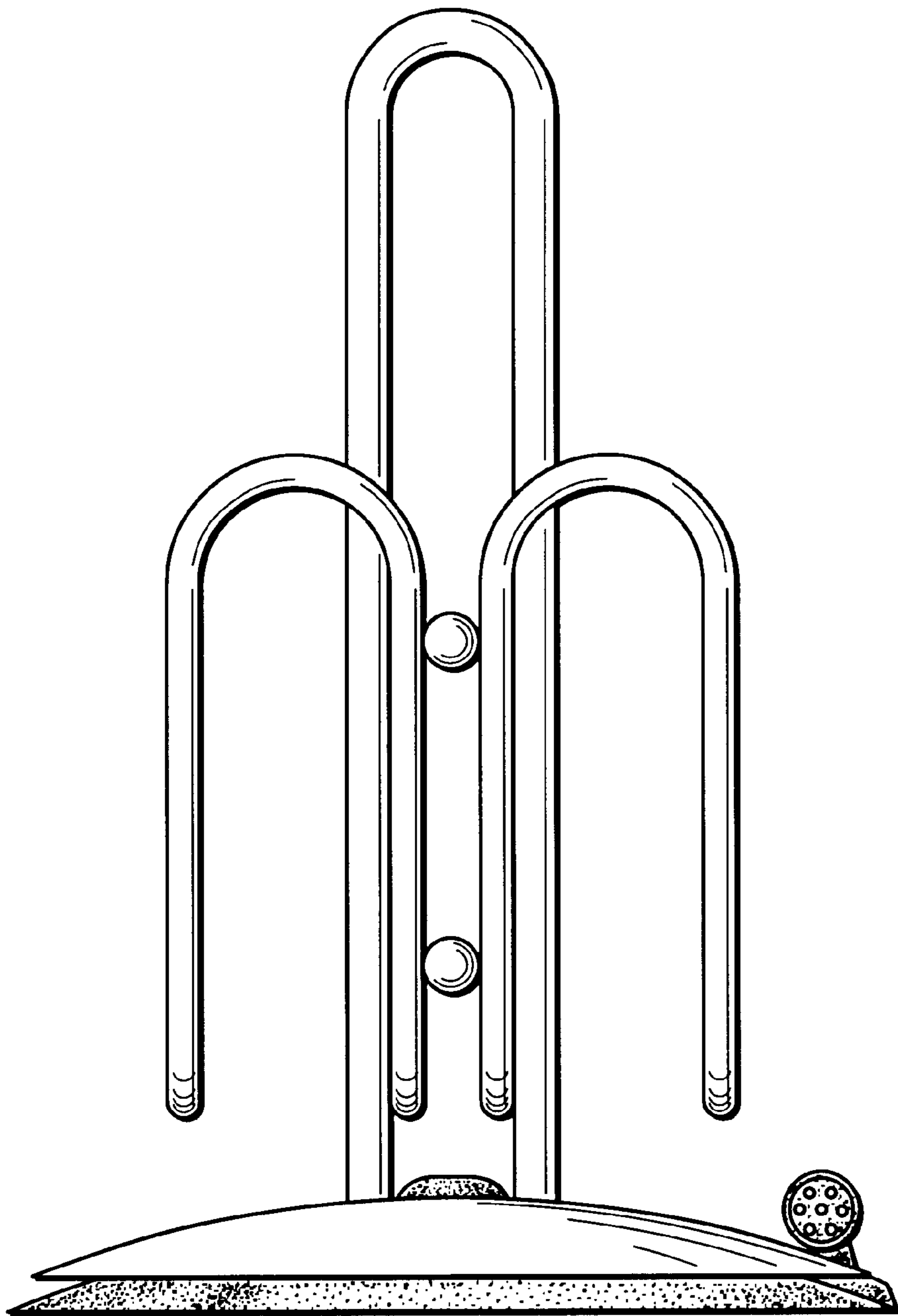


FIG. 3

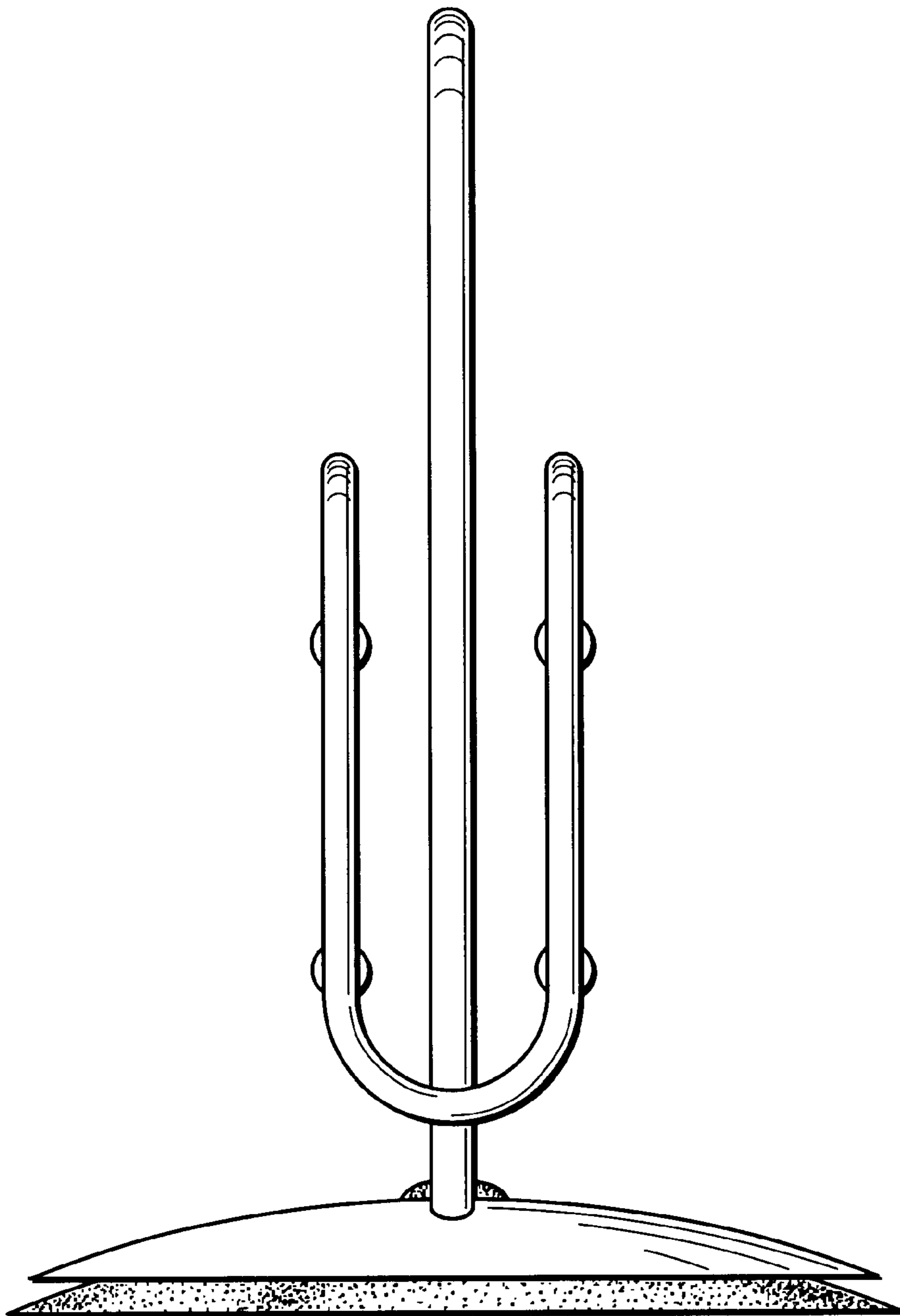


FIG. 4

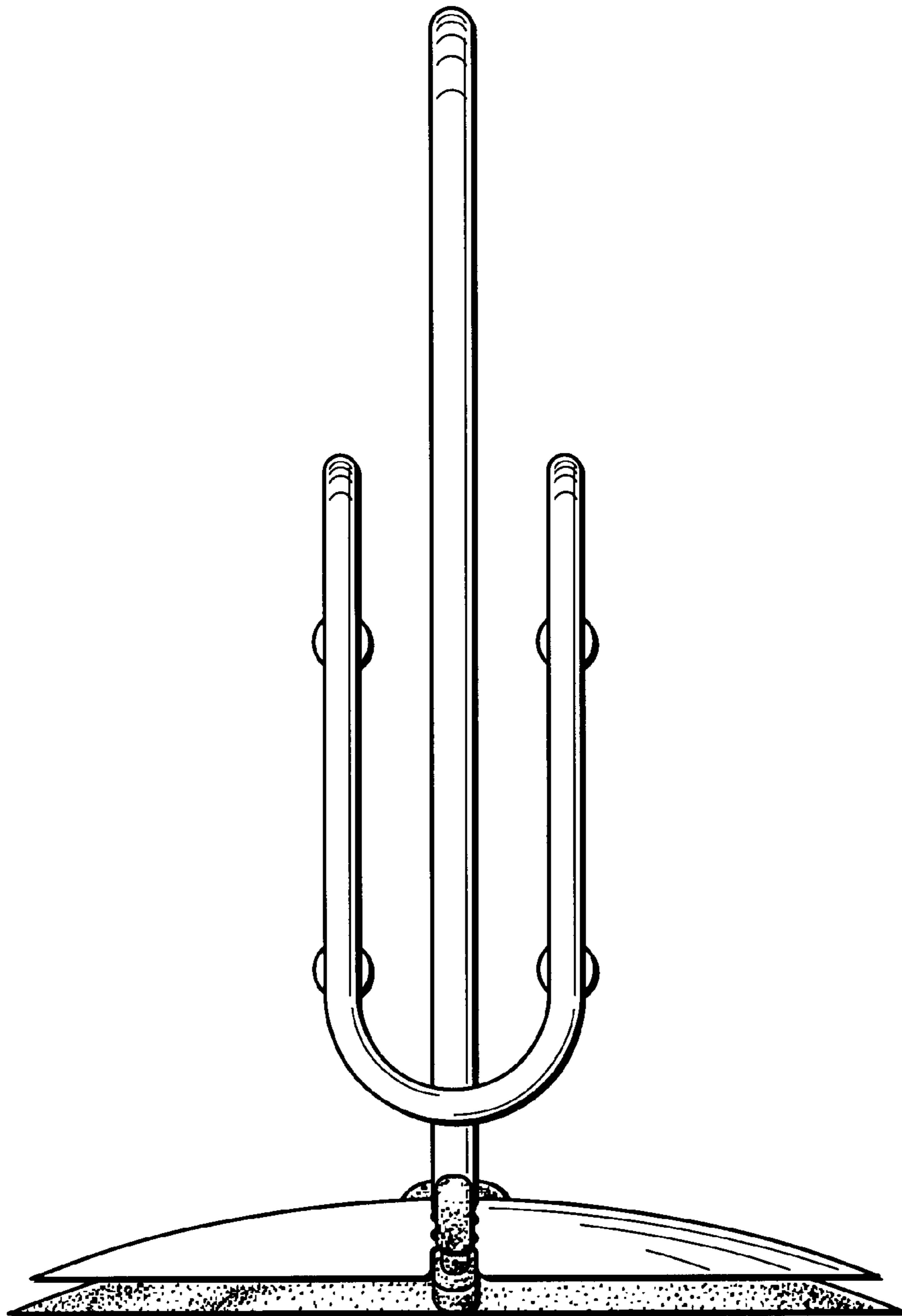


FIG. 5

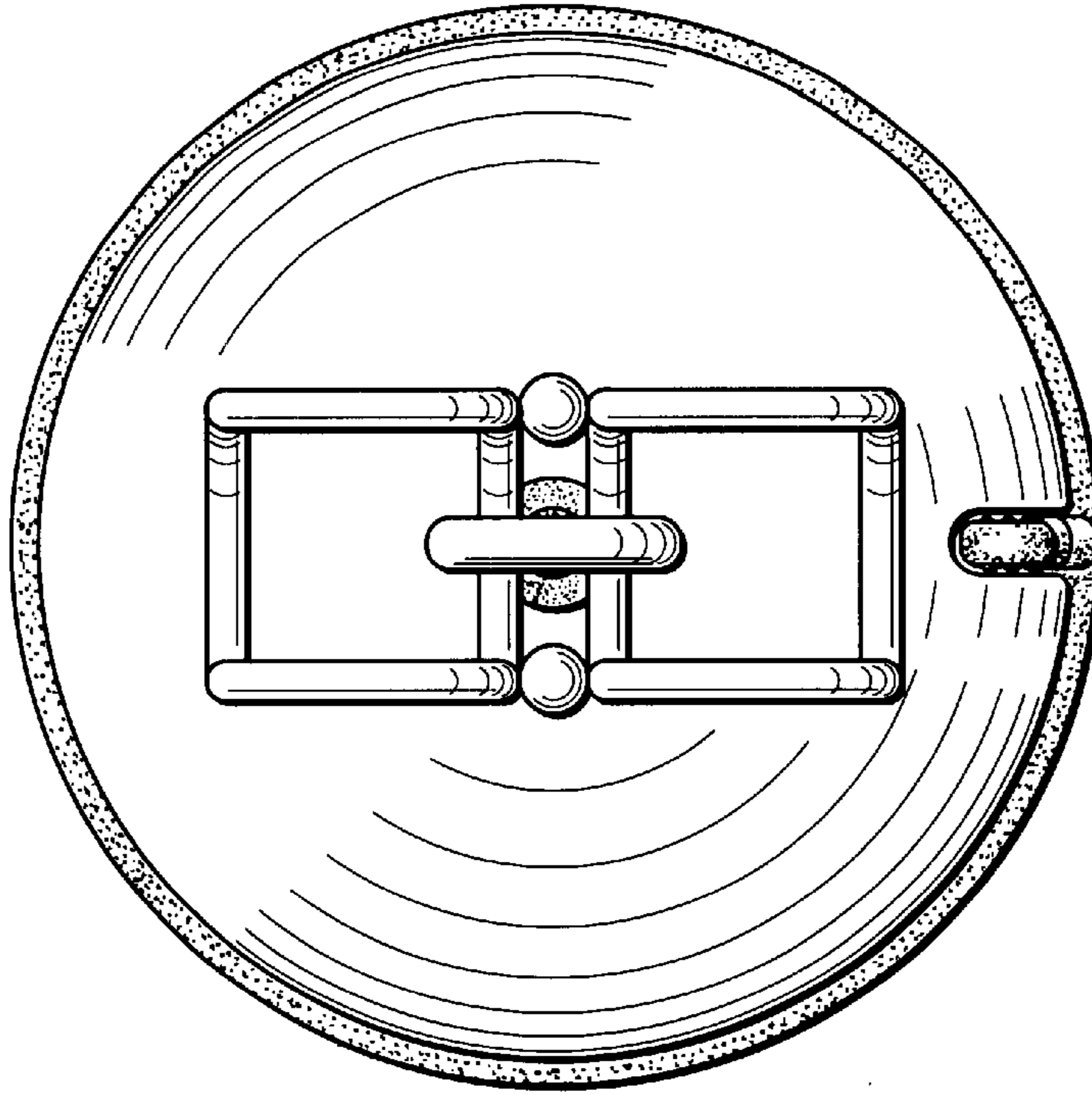


FIG. 6

