



US00D459950S

(12) **United States Design Patent**
Bush et al.

(10) **Patent No.:** **US D459,950 S**
(45) **Date of Patent:** **** Jul. 9, 2002**

(54) **TRAY**

(75) Inventors: **Stephan Gary Bush**, Sharonville;
Michael Sean Farrell, Maineville;
Brice Daniel Westring, Loveland; **Eric Richard Bartsch**, Cincinnati, all of OH (US)

(73) Assignee: **The Procter & Gamble Company**, Cincinnati, OH (US)

(**) Term: **14 Years**

(21) Appl. No.: **29/135,565**

(22) Filed: **Jan. 12, 2001**

Related U.S. Application Data

(62) Division of application No. 09/730,226, filed on Dec. 5, 2000, which is a division of application No. 09/730,333, filed on Dec. 5, 2000, which is a division of application No. 09/730,261, filed on Dec. 5, 2000.

(51) **LOC (7) Cl.** **07-01**

(52) **U.S. Cl.** **D7/555; D7/554; D7/557**

(58) **Field of Search** D7/501, 505, 536-546, D7/548, 571, 553.6, 544, 553.1, 558, 555, 557, 562, 585, 584, 565, 572, 576, 586, 608, 357, 360, 354, 598, 396.4, 396.5, 554.2, 396.1; 220/575, 574, 23.8, 23.83, 628; 206/562, 538, 561, 525

(56) **References Cited**

U.S. PATENT DOCUMENTS

3,162,344 A * 12/1964 Sabol D7/550.1

D269,935 S * 8/1983 Powers D7/561
D378,038 S * 2/1997 Gaines D7/561
D393,775 S * 4/1998 Otero D7/357
5,805,768 A 9/1998 Schwartz et al.

OTHER PUBLICATIONS

U.S. patent application Ser. No. 60/251,067, Bartsch et al., filed Dec. 4, 2000.

U.S. patent application Ser. No. 09/730,226, Bartsch et al., filed Dec. 5, 2000.

U.S. patent application Ser. No. 09/730,333, Laudamiel et al., filed Dec. 5, 2000.

U.S. patent application Ser. No. 09/730,261, Laudamiel et al., filed Dec. 5, 2000.

* cited by examiner

Primary Examiner—Antoine Duval Davis

(74) *Attorney, Agent, or Firm*—Jeffrey V. Bamber

(57) **CLAIM**

The ornamental design for a tray, as shown and described.

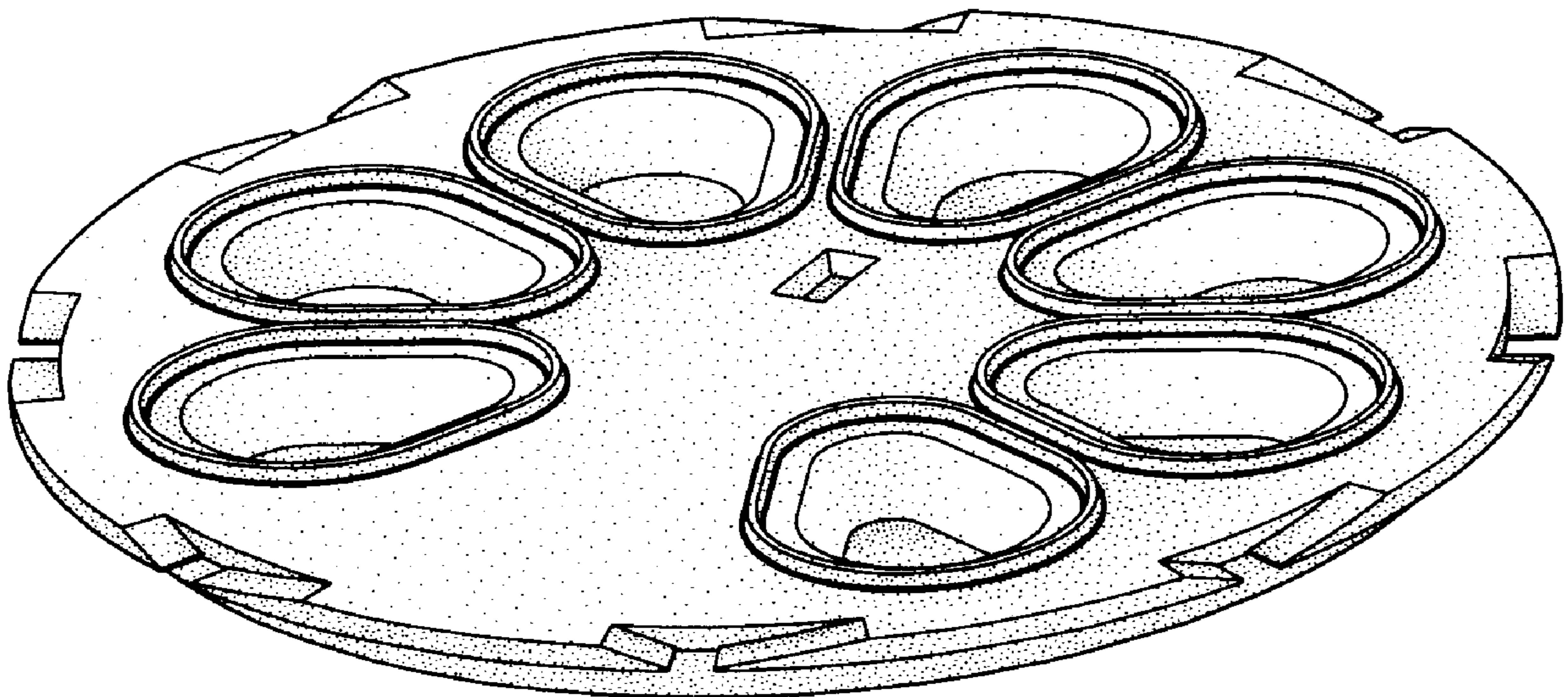
DESCRIPTION

FIG. 1 is a top view of a tray, embodying our new design; FIG. 2 is a side elevational view thereof, the opposite side elevated view being the same;

FIG. 3 is a bottom view thereof; and,

FIG. 4 is a perspective view thereof.

1 Claim, 2 Drawing Sheets



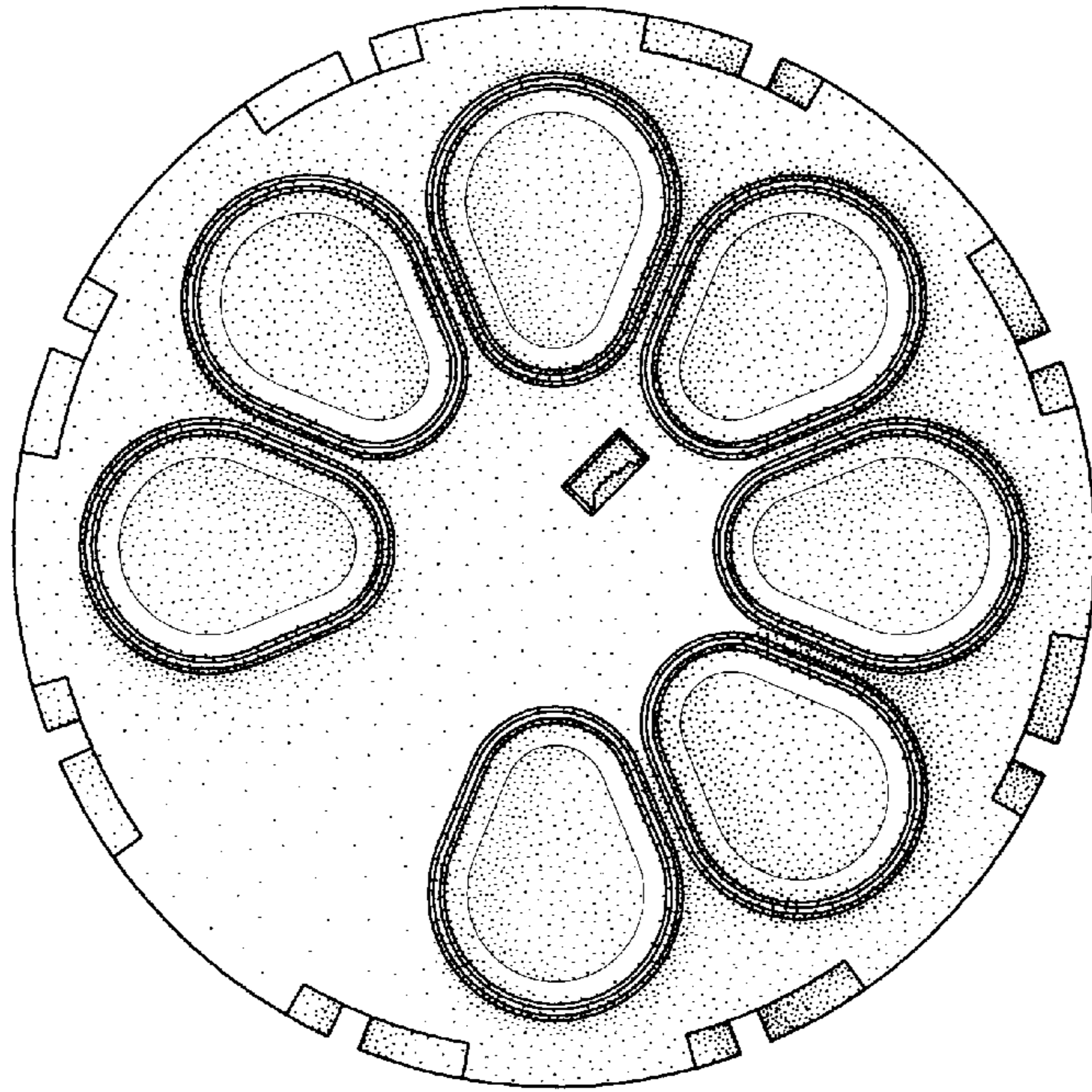


Fig. 1

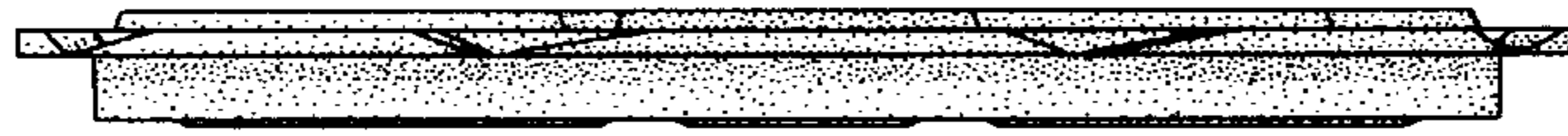


Fig. 2

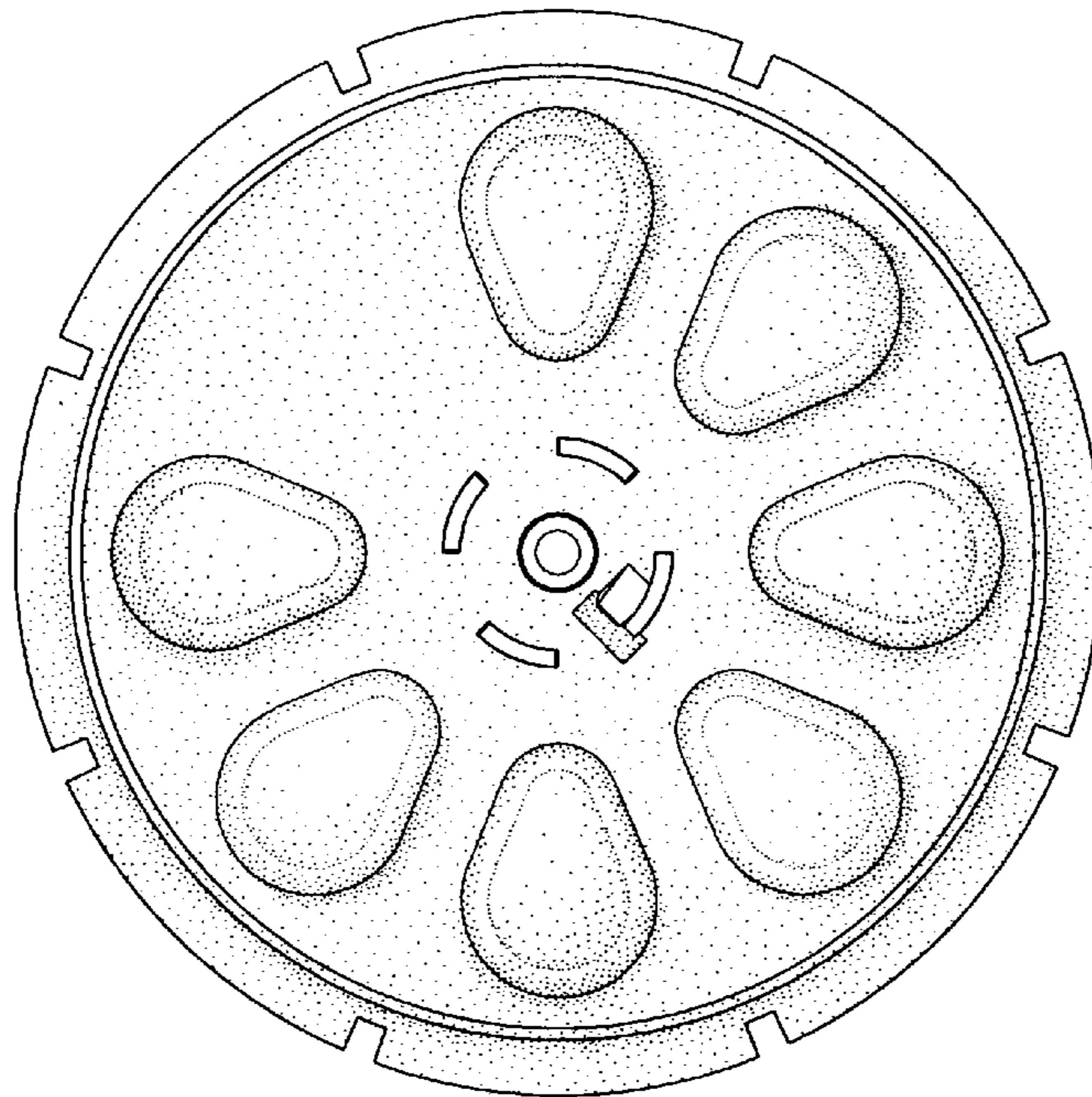


Fig. 3

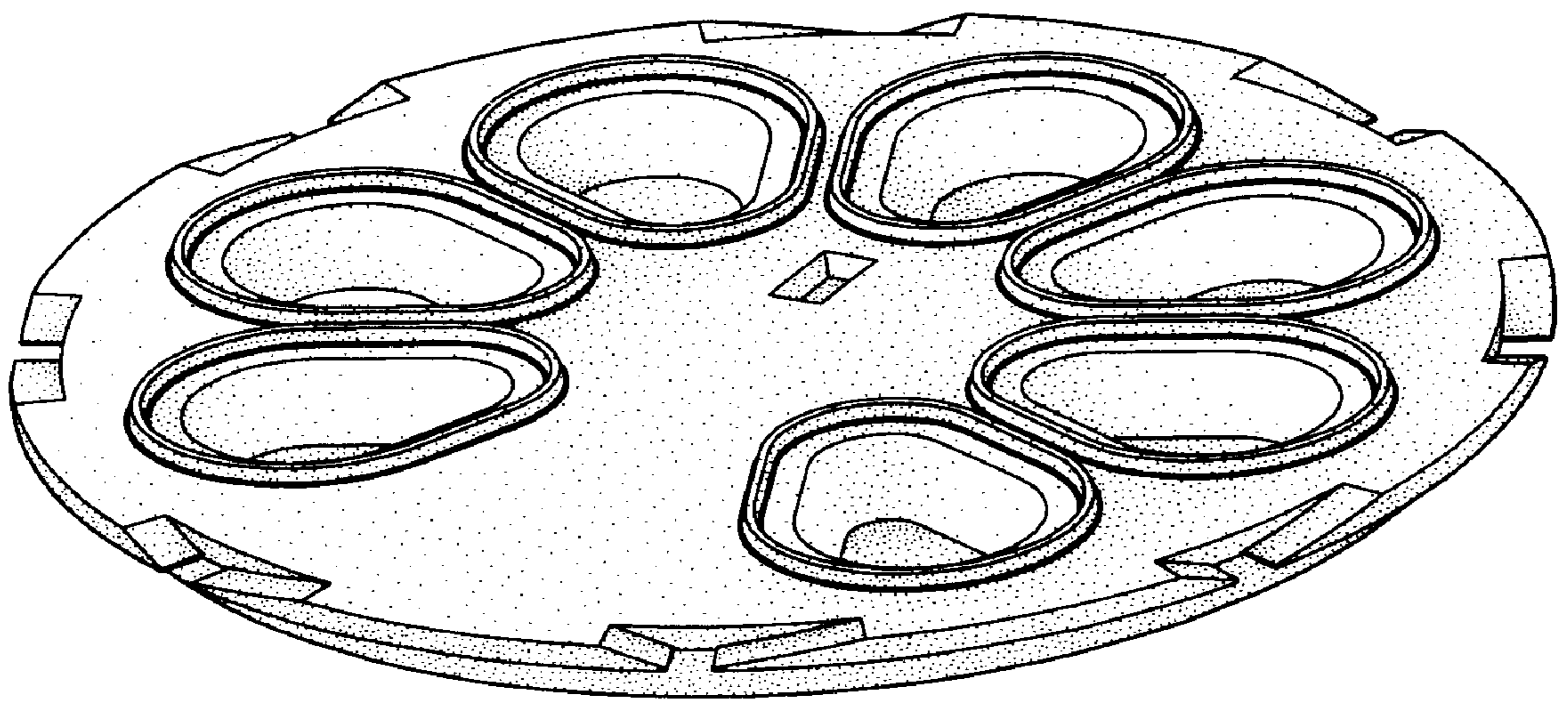


Fig. 4