



US00D459949S

(12) **United States Design Patent**
Brennan

(10) **Patent No.:** **US D459,949 S**

(45) **Date of Patent:** **** Jul. 9, 2002**

(54) **MUG WITH CHARACTER-SUPPORTING HANDLE COVER**

(76) **Inventor:** **Mark F. Brennan**, 1326 Crestview Dr.,
Shelby, NC (US) 28150

(**) **Term:** **14 Years**

(21) **Appl. No.:** **29/144,060**

(22) **Filed:** **Jun. 26, 2001**

(51) **LOC (7) Cl.** **07-01**

(52) **U.S. Cl.** **D7/536; D7/515; D7/517**

(58) **Field of Search** **D7/536, 533, 515, D7/516, 517, 514, 519, 520, 509; 215/396, 395; 220/212.5, 710.5, 771, 367.1, 592.17; 62/438**

(56) **References Cited**

U.S. PATENT DOCUMENTS

D37,297 S	*	1/1905	Maddock	D7/515
D37,902 S	*	3/1906	Spooner	220/710.5
1,975,241 A	*	10/1934	Werber et al.	D7/536
2,075,137 A	*	3/1937	Rosen	62/400
3,825,151 A	*	7/1974	Arnaud	220/742
D254,463 S	*	3/1980	Wilson	D7/536
D287,322 S	*	12/1986	Martin	D7/536
4,643,326 A	*	2/1987	Klingler	220/710.5
D292,463 S	*	10/1987	Petrasek	D7/515
D292,464 S	*	10/1987	Petrasek	D7/536
4,791,030 A	*	12/1988	DeMars	220/738

5,001,907 A	*	3/1991	LaCroix et al.	62/457.4
D334,322 S	*	3/1993	Huang	D7/536
D334,869 S	*	4/1993	Mills	D7/605
5,249,703 A	*	10/1993	Karp	220/719
D360,108 S	*	7/1995	Blankenburg et al.	D7/515
D416,758 S	*	11/1999	Tsai	D7/531

* cited by examiner

Primary Examiner—M. N. Pandozzi

(74) *Attorney, Agent, or Firm*—Dykema Gossett PLLC

(57) **CLAIM**

The ornamental design for a mug with character-supporting handle cover, as shown and described.

DESCRIPTION

FIG. 1 is an elevational side view of a mug with character-supporting handle cover showing my new and ornamental design, the opposite elevational side view being a mirror image,

FIG. 2 is a top plan view thereof,

FIG. 3 is a bottom plan view thereof,

FIG. 4 is a front elevational view thereof,

FIG. 5 is a rear elevational view thereof; and,

FIG. 6 is a partial cross section as seen along line 6—6 in FIG. 2.

The broken lines in FIGS. 1–6 are for illustrative purposes only and form no part of the claimed design.

1 Claim, 2 Drawing Sheets

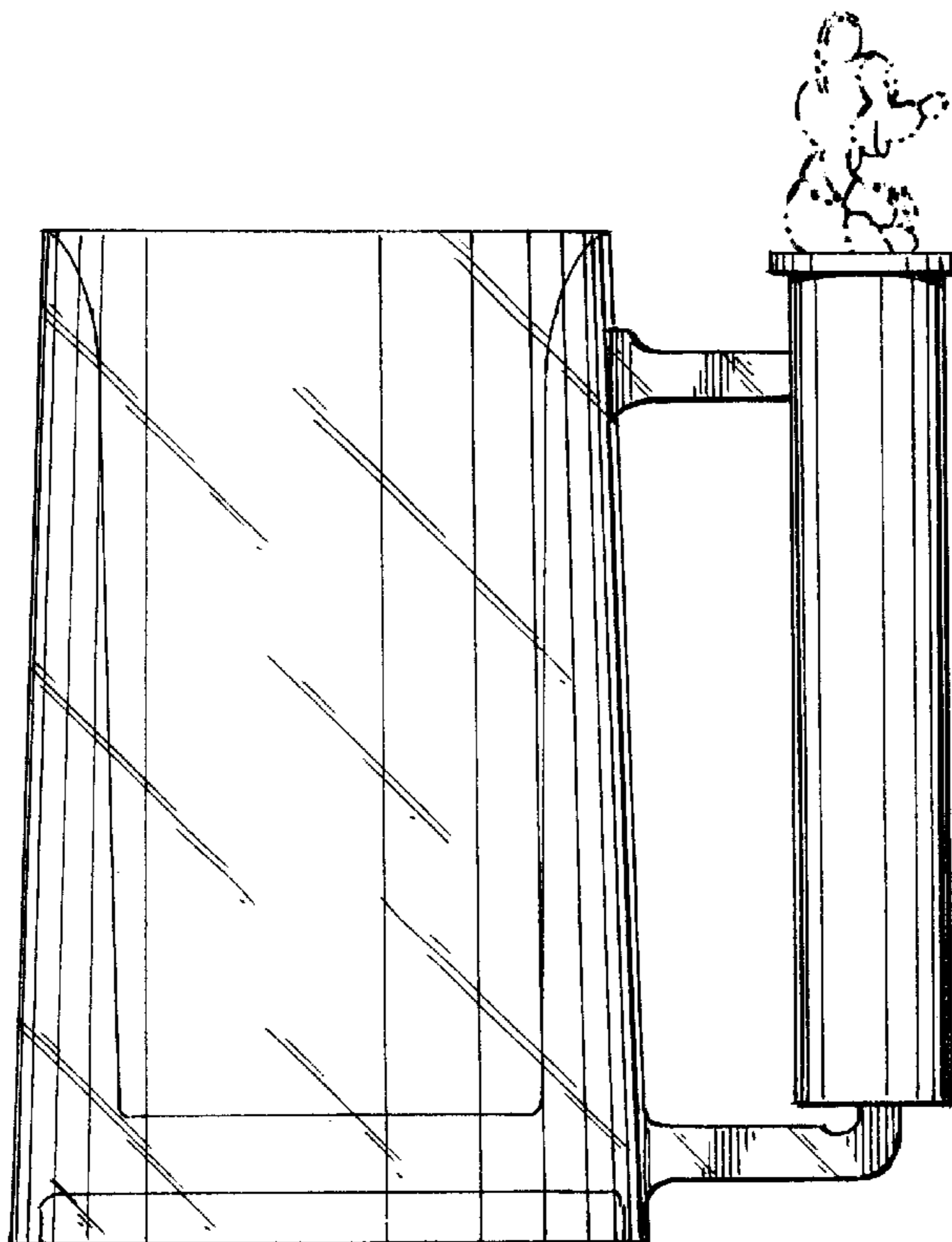


FIG. 1

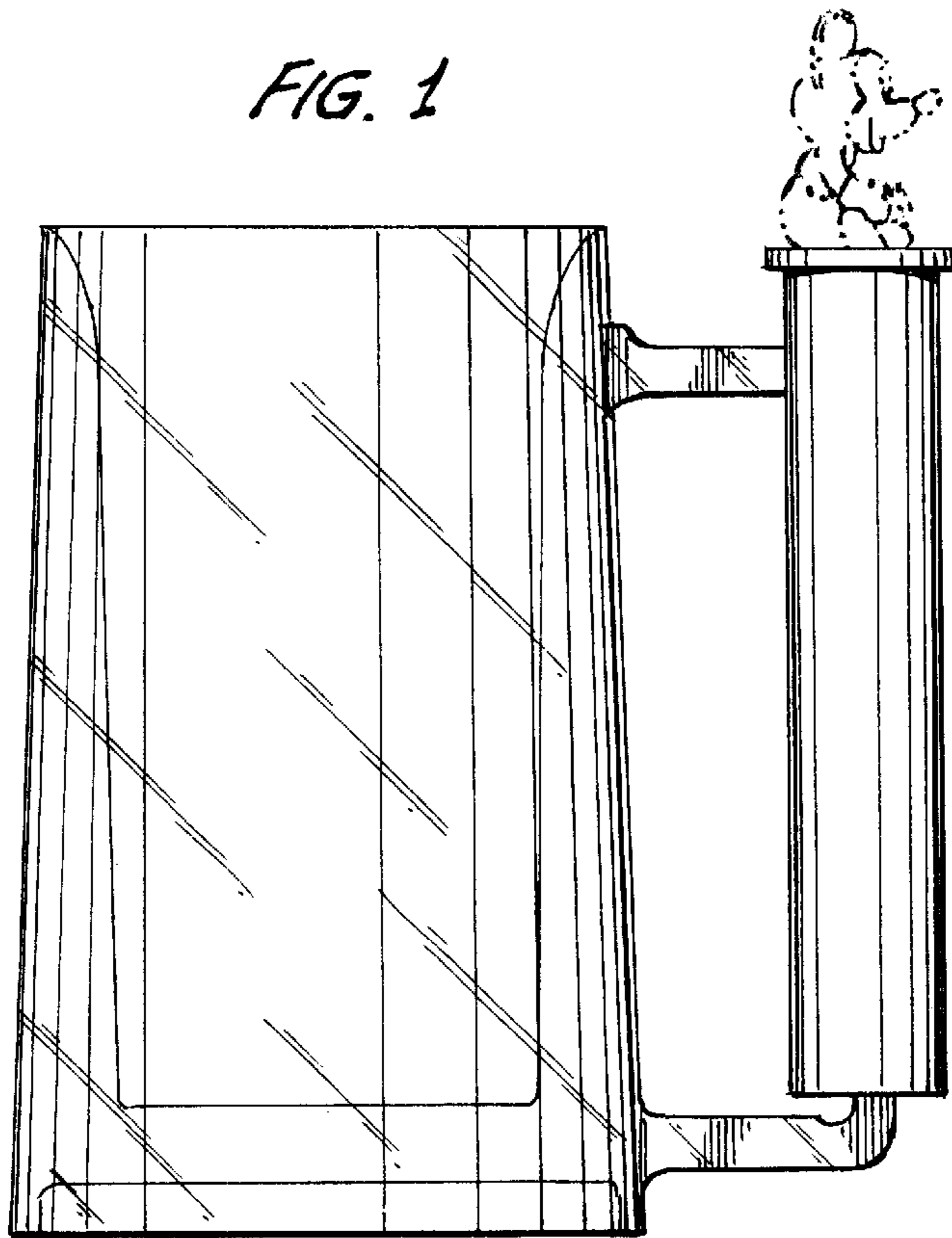


FIG. 2

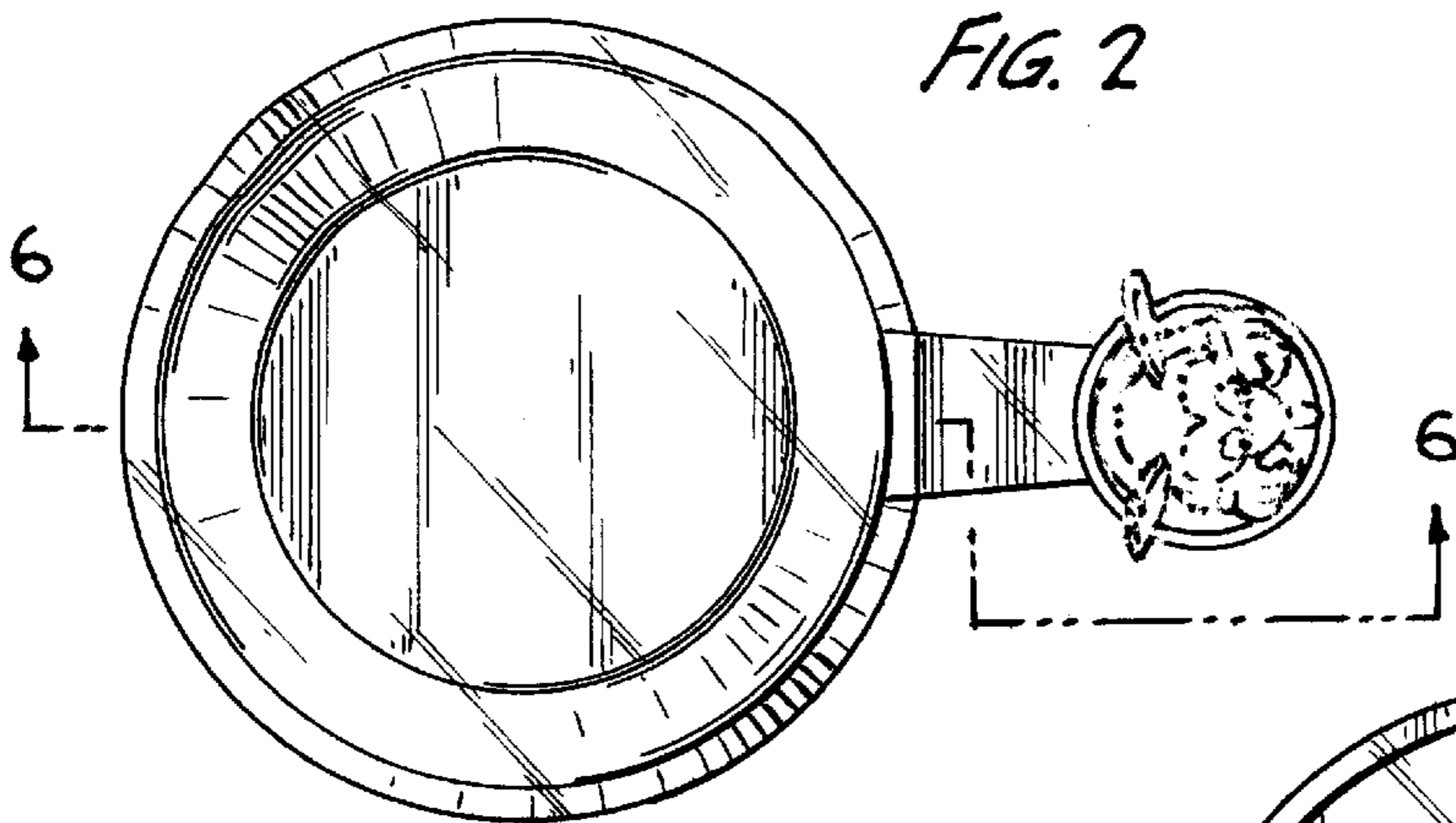


FIG. 3

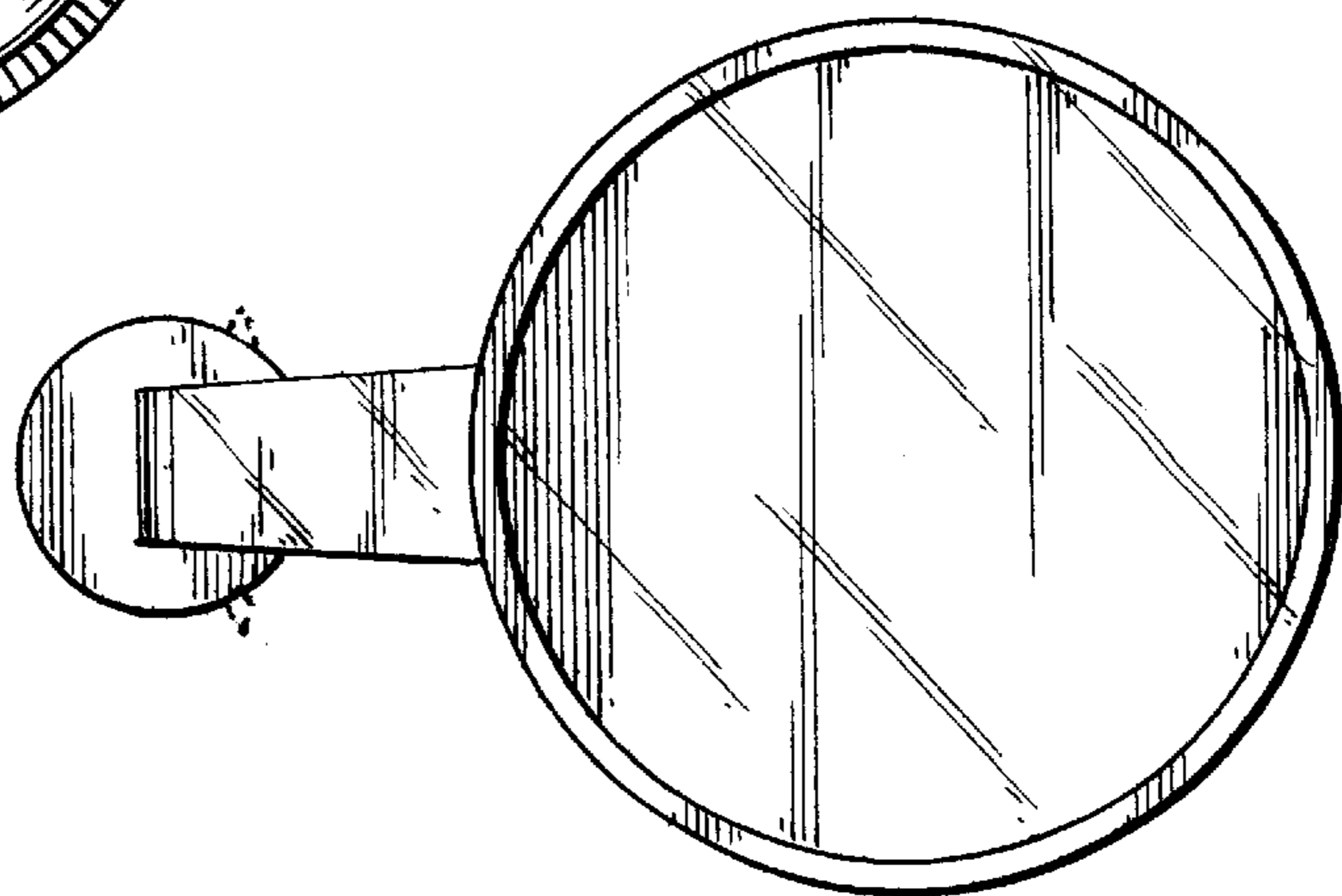


FIG. 4

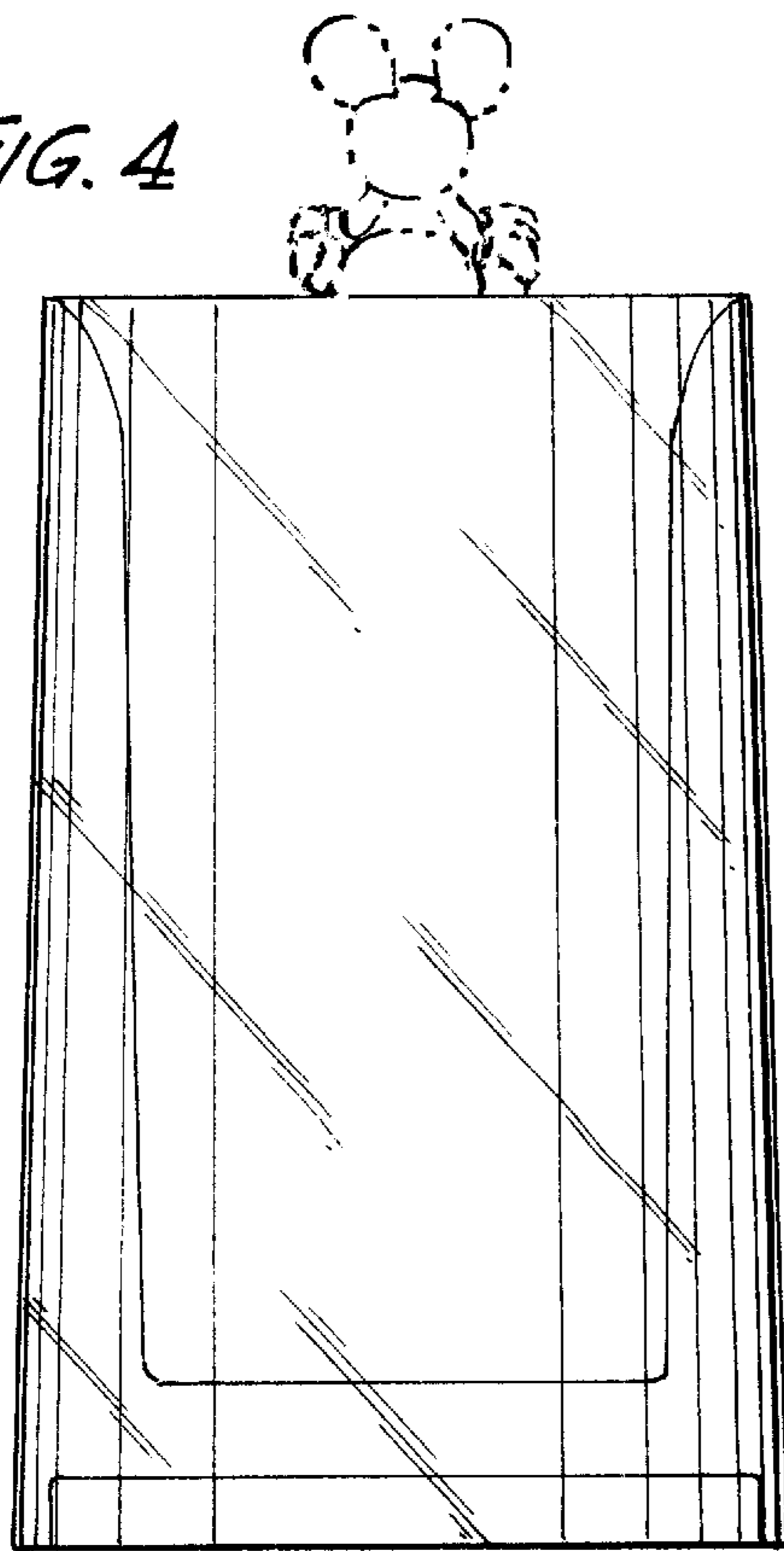


FIG. 5

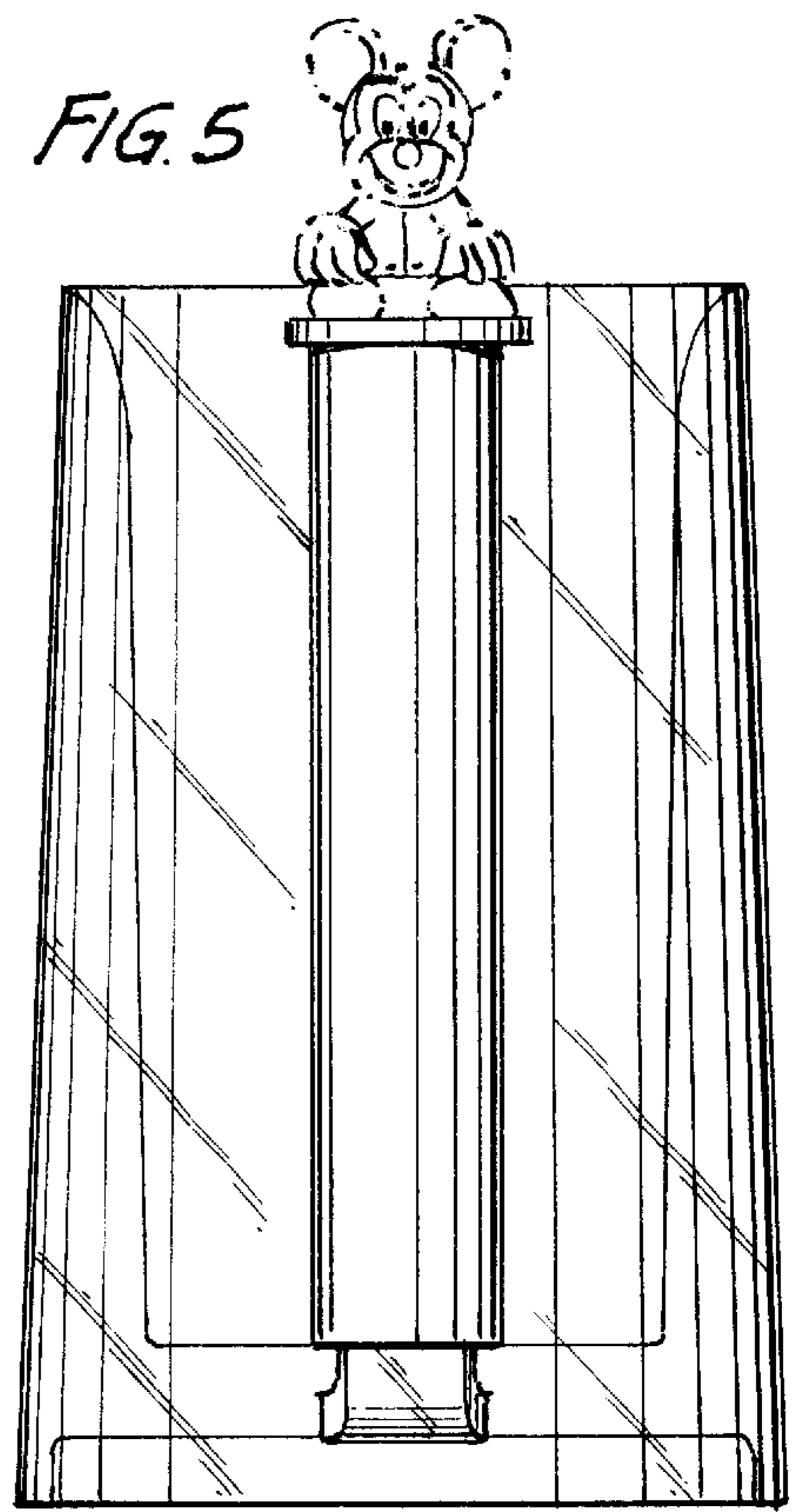


FIG. 6

